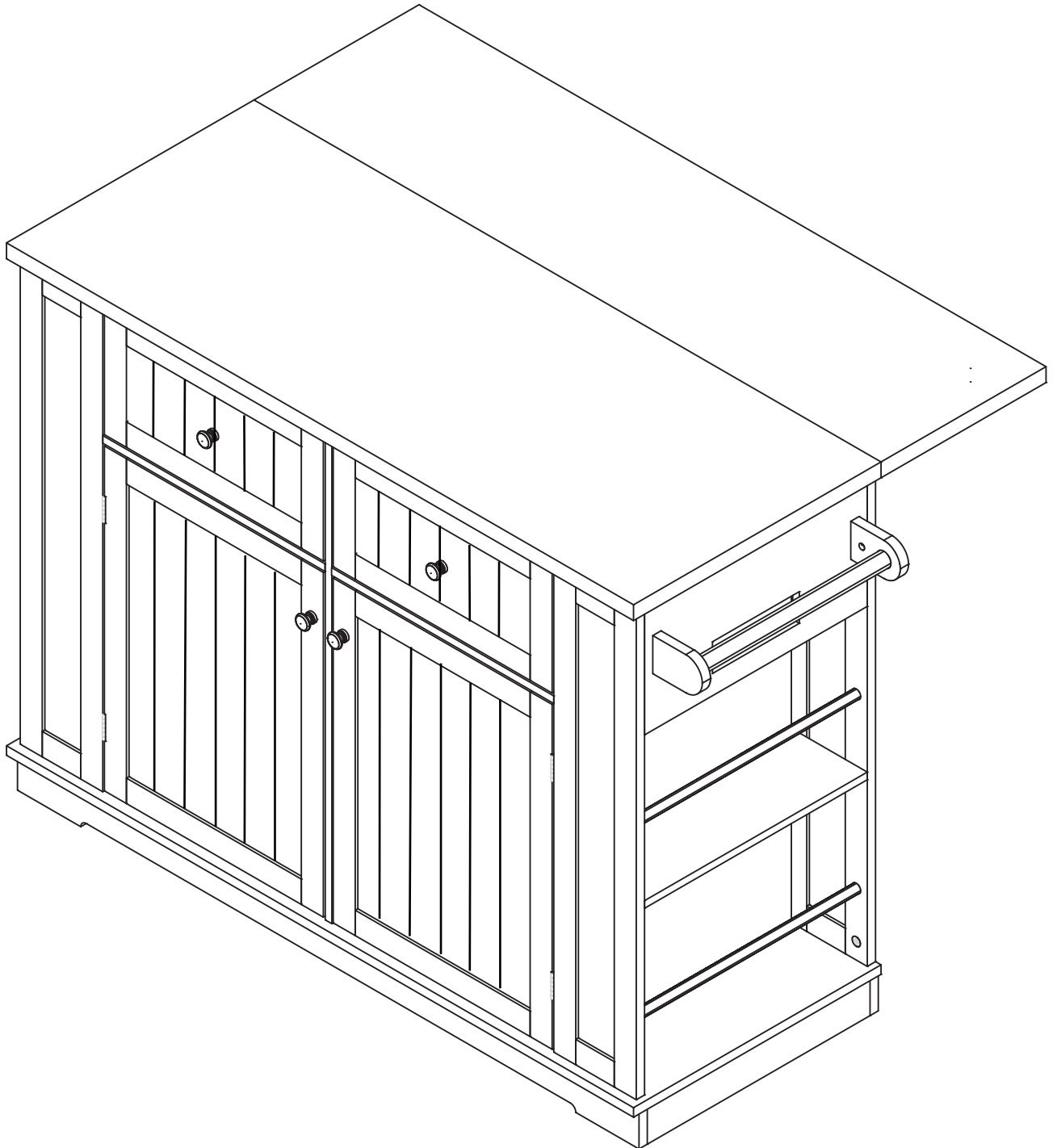


# Kitchen Island Cart

Assembly Instructions - Please keep for future reference



Important – Please read these instructions fully before starting assembly



# Safety and Care Advice

**Important – Please read these instructions fully before starting assembly**

- Check you have all the components and tools listed on the following pages.
- Remove all fittings from the plastic bags and separate them into their groups.
- Keep children and animals away from the work area, small parts could choke if swallowed.
- Make sure you have enough space to layout the parts before starting.

- During assembly do not stand or put weight on the product, this could cause damage.
- Assemble the item as close to its final position (in the same room) as possible.
- Assemble on a soft level surface to avoid damaging the unit or your floor.
- Parts of the assembly will be easier with 2 people.



power drill is set on a low torque setting.

- To reduce the likelihood of damaging your product please ensure that your

## Care and maintenance

- Only clean using a damp cloth and mild detergent, do not use bleach or abrasive cleaners.
- From time to time check that there are no loose screws on this unit.
- This product should not be discarded with household waste. Take to your local authority waste disposal centre.

## Handy Hints

- Assemble all parts and bolts loosely during assembly, only once the product is complete should you fully tighten the bolts
- Regularly check and ensure That all bolts and fittings are tightened properly.

**WARNING**  
**In order to help prevent overturning – please follow these instructions**

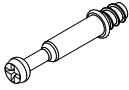
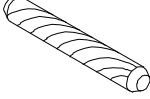

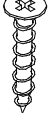

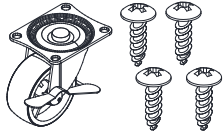


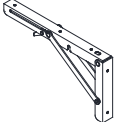
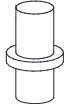
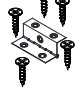

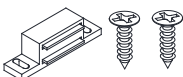

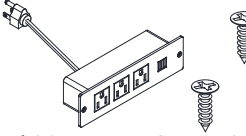
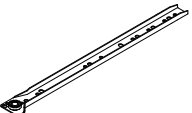
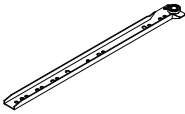
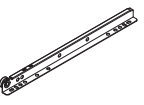
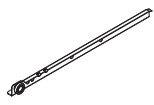
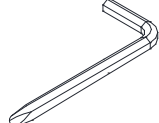
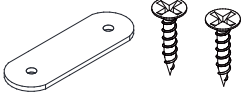

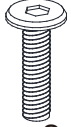




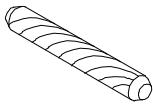
To help prevent product toppling over please follow the below steps:-

- Use the anti tip stap or wall fixing method provided (if applicable)
- Do not allow children to climb or hang on the furniture
- Do not open more than one drawer at a time
- Do not place heavy items in the top drawers
- Do not place heavy items on top of the furniture, unless the furniture has been designed for this purpose

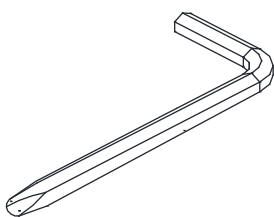
# Components - Fittings

Please check you have all the panels listed below

Note: The quantities below are the correct amount to complete the assembly. In some cases, more fittings may be supplied than required.

<p>(A)</p>  <p>Cam Bolt x 84</p>	<p>(B)</p>  <p>6*30mm Dowel x 56</p>	<p>(C)</p>  <p>Cam lock x 84</p>	<p>(D)</p>  <p>4*25mm Screw x 28</p>
<p>(E)</p>  <p>nut x 2</p>	<p>(F)</p>  <p>4*12mm Locking caster x2</p>	<p>(G)</p>  <p>6*30mm Screw x 2</p>	<p>(H)</p>  <p>3.5*12mm Screw x 18</p>
<p>(I)</p>  <p>Connecting rods x2</p>	<p>(J)</p>  <p>Shelf support pin x 8</p>	<p>(K)</p>  <p>3*12mm Triple fold hinge x 4set</p>	<p>(L)</p>  <p>4*20mm Handle x 2SET</p>
<p>(M)</p>  <p>3*16mm Door stopper x 2SET</p>	<p>(N)</p>  <p>4*12mm Handle x 2SET</p>	<p>(O)</p>  <p>3.5*12mm socket x 1</p>	<p>(CL)</p>  <p>300mm runner x 2</p>
<p>(CR)</p>  <p>300mm runner x 2</p>	<p>(DR)</p>  <p>300mm runner x 2</p>	<p>(DL)</p>  <p>300mm runner x 2</p>	<p>(P)</p>  <p>Allen key x 1</p>
<p>(Q)</p>  <p>3*12mm Magnetic sheet x 2SET</p>	<p>(R)</p>  <p>4*12mm Caster x3</p>	<p>(S)</p>  <p>6*25mm Screw x4</p>	<p>(T)</p>  <p>m6 nut x 4</p>
<p>(U)</p>  <p>6mm gasket x8</p>	<p>(V)</p>  <p>3.5*14mm Screw x4</p>	<p>(W)</p>  <p>Iron pipe spring x 4</p>	<p>(X)</p>  <p>8*30mm Dowel x 16</p>

## Tools required



Phillips screwdriver  
(medium & large)

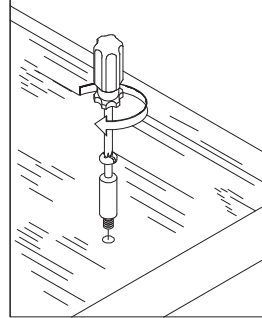
# Using Camlocks

## Step 1

Connect the male camlock as directed in the assembly instructions using a screwdriver.

1

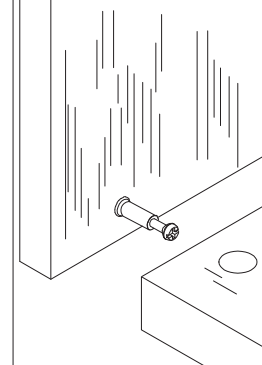
DO NOT OVER TIGHTEN.  
NE PAS SERRER EXCESSIVEMENT.



## Step 2

Push the male camlock into the entry hole.

2

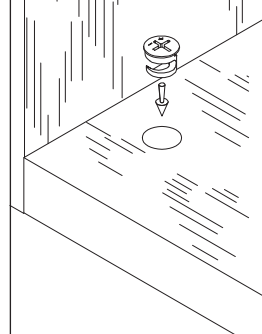


## Step 3

Insert the female camlock as shown in the instruction.

Note: ensure that the arrow on the top of the camlock points towards the entry hole for the male camlock.

3



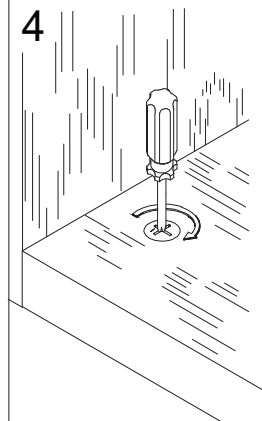
## Step 4

Turn the female camlock clockwise with a screwdriver.

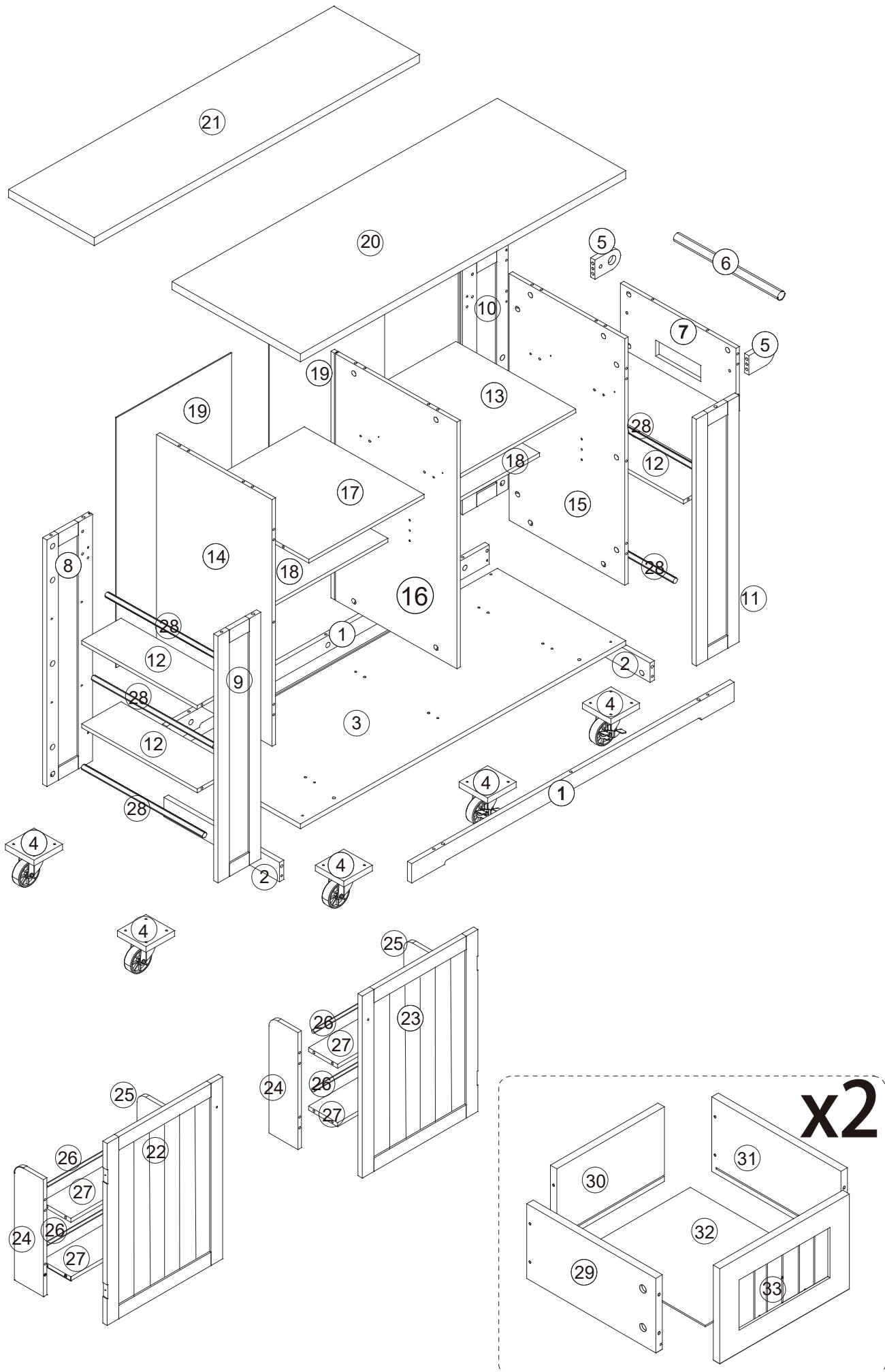
You should feel a click when the camlock is locked in place.

The joint is now secure.

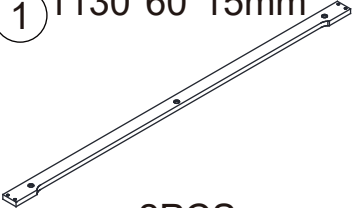
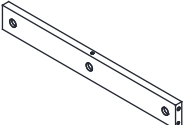
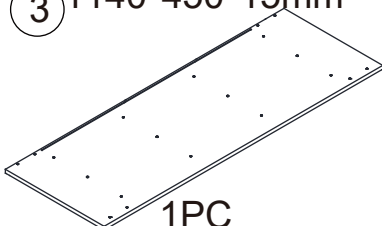
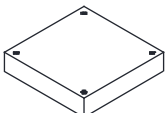
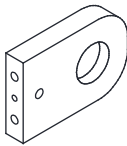
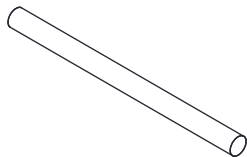
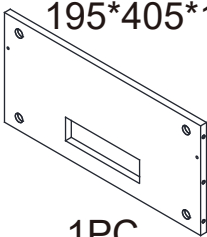
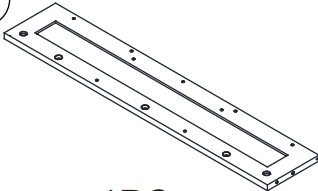

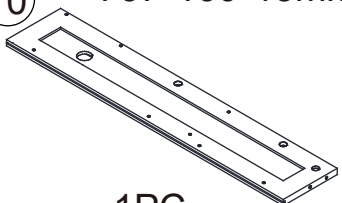
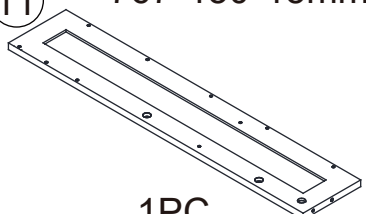
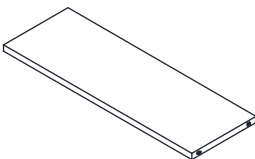
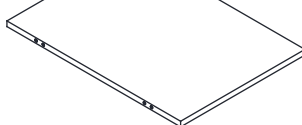
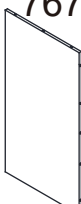


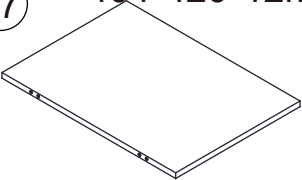
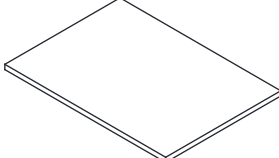

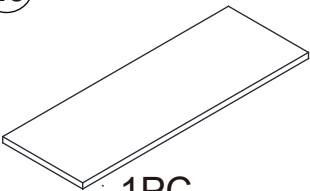
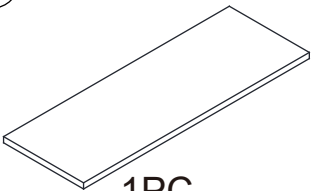
4



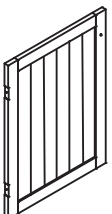

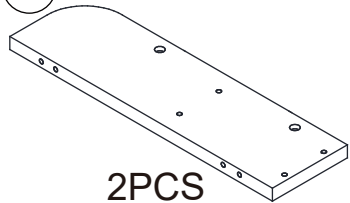
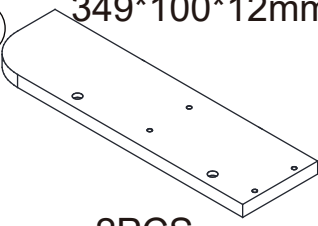
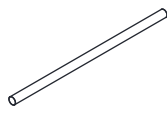
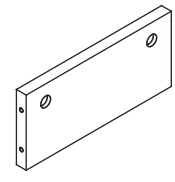
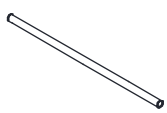
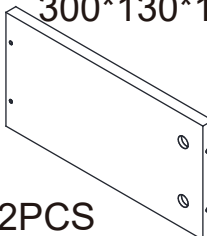
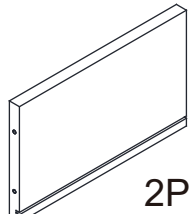
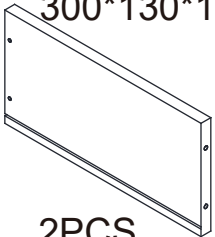
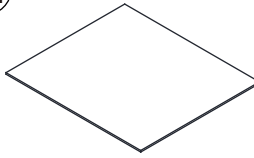
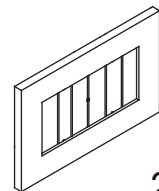
# Assembly Instructions



# Assembly Instructions

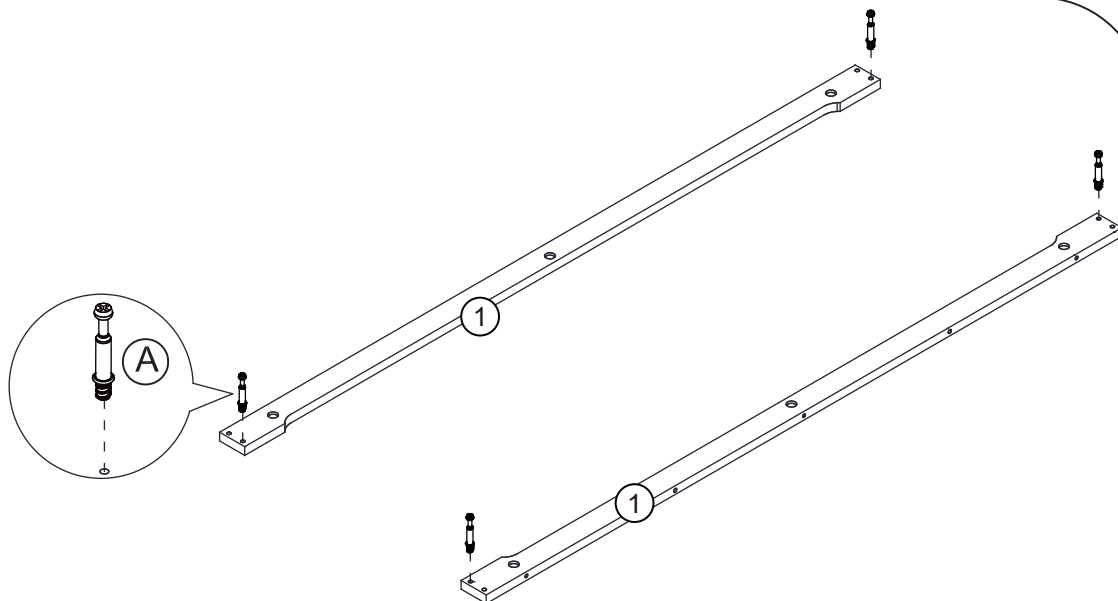
<p>① 1130*60*15mm</p>  <p>2PCS</p>	<p>② 405*60*15mm</p>  <p>2PCS</p>	<p>③ 1140*450*15mm</p>  <p>1PC</p>
<p>④ 100*100*18mm</p>  <p>5PCS</p>	<p>⑤ 90*60*15mm</p>  <p>2PCS</p>	<p>⑥ 24*365mm</p>  <p>1PC</p>
<p>⑦ 195*405*12mm</p>  <p>1PC</p>	<p>⑧ 767*160*15mm</p>  <p>1PC</p>	<p>⑨ 767*150*15mm</p>  <p>1PC</p>
<p>⑩ 767*160*15mm</p>  <p>1PC</p>	<p>⑪ 767*150*15mm</p>  <p>1PC</p>	<p>⑫ 405*138*15mm</p>  <p>3PC</p>
<p>⑬ 404*420*12mm</p>  <p>1PC</p>	<p>⑭ 767*405*12mm</p>  <p>1PC</p>	<p>⑮ 767*405*12mm</p>  <p>1PC</p>
<p>⑯ 767*435*12mm</p>  <p>1PC</p>	<p>⑰ 404*420*12mm</p>  <p>1PC</p>	<p>⑱ 402*294*12mm</p>  <p>2PCS</p>
<p>⑲ 777*404*3mm</p>  <p>2PCS</p>	<p>⑳ 1140*450*25mm</p>  <p>1PC</p>	<p>㉑ 1140*300*25mm</p>  <p>1PC</p>

# Assembly Instructions

<p>②② 543*398*15mm</p>  <p>1PC</p>	<p>②③ 543*398*15mm</p>  <p>1PC</p>	<p>②④ 349*100*12mm</p>  <p>2PCS</p>
<p>②⑤ 349*100*12mm</p>  <p>2PCS</p>	<p>②⑥ 10*333mm</p>  <p>4PCS</p>	<p>②⑦ 328*100*12mm</p>  <p>4PCS</p>
<p>②⑧ 15*415mm</p>  <p>5PCS</p>	<p>②⑨ 300*130*12mm</p>  <p>2PCS</p>	<p>③⑩ 354*130*12mm</p>  <p>2PCS</p>
<p>③① 300*130*12mm</p>  <p>2PCS</p>	<p>③② 298*366*3mm</p>  <p>2PCS</p>	<p>③③ 398*200*15mm</p>  <p>2PCS</p>

# Assembly Instructions

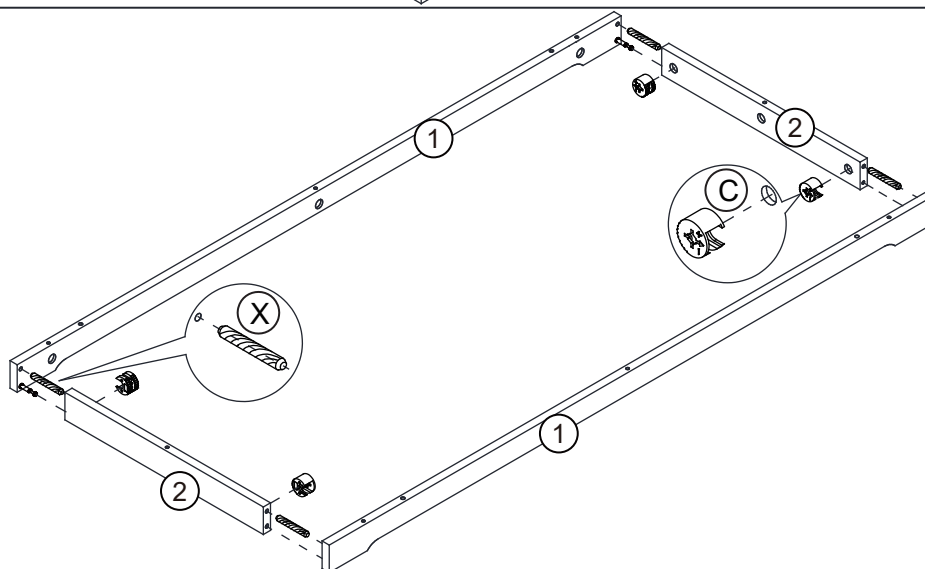
## Step 1



(A)

Cam Bolt x4

## Step 2



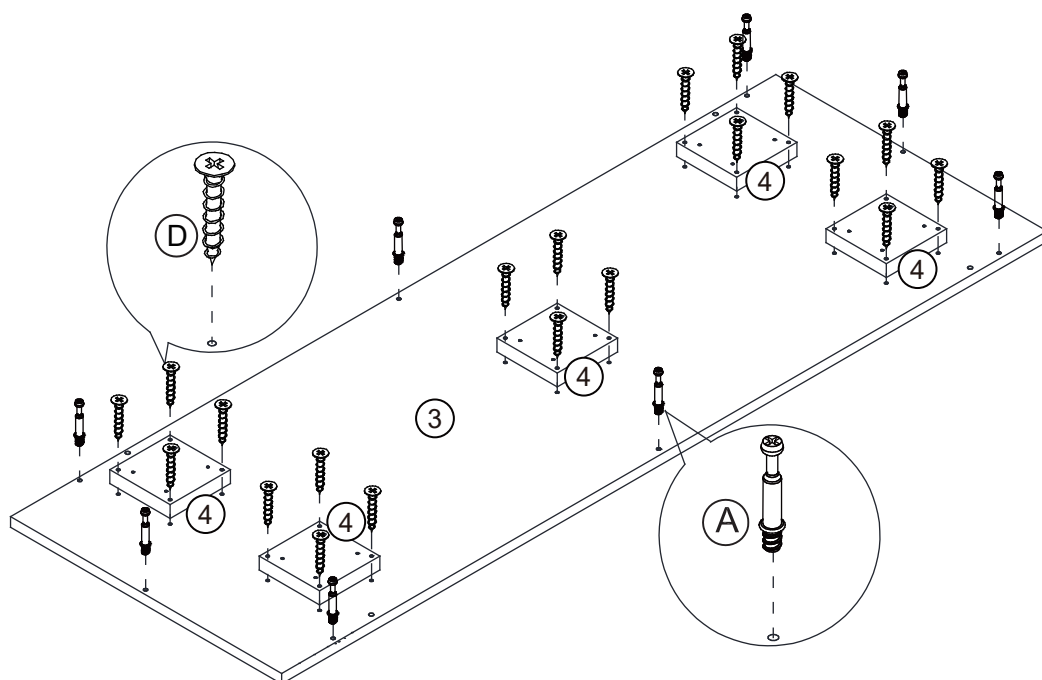
(C)

Cam lock x 4

(X)

8\*30mm Dowel x 4

## Step 3



(D)

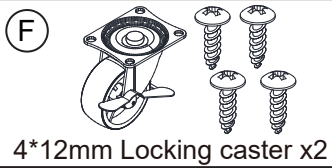
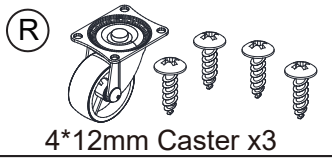
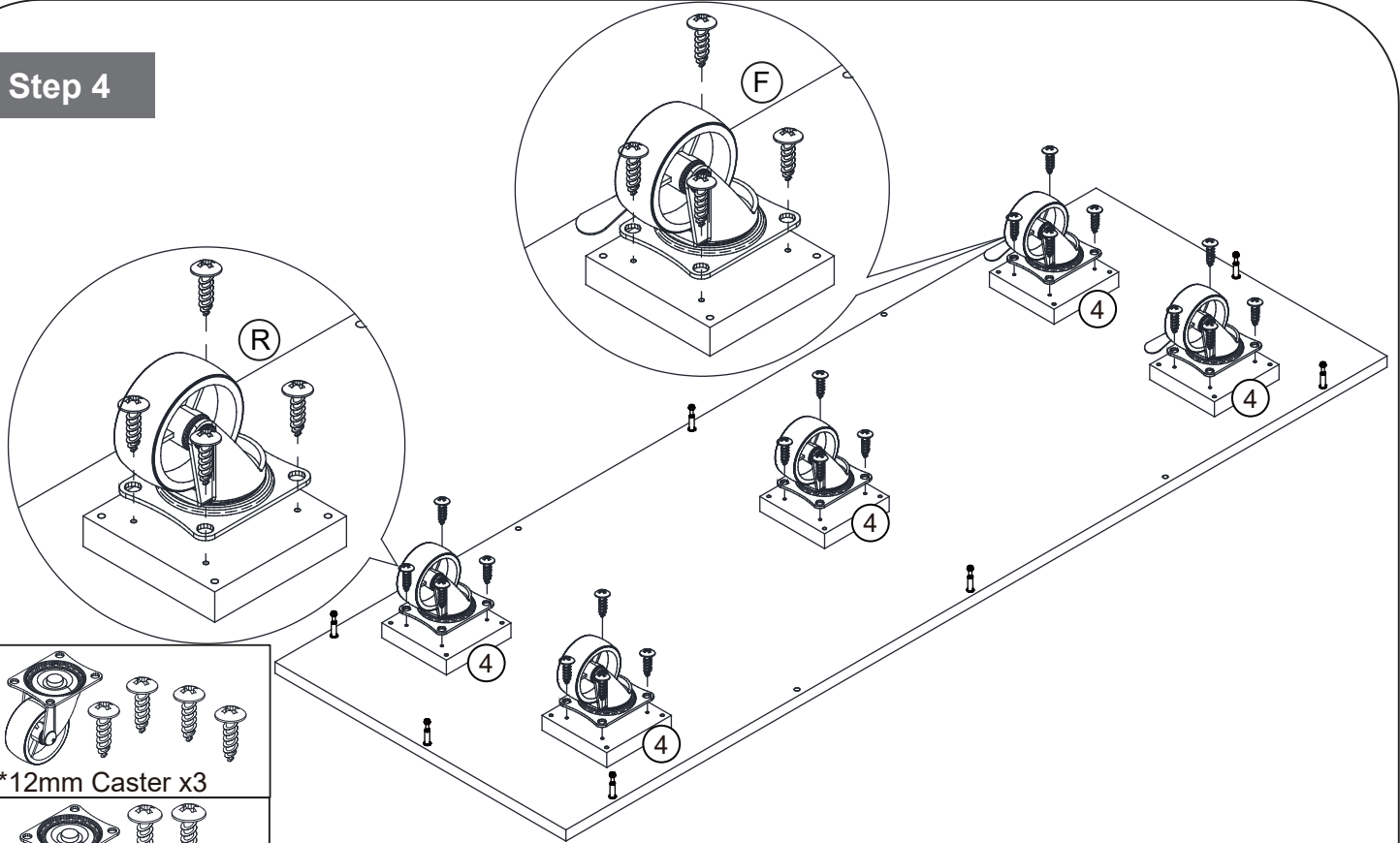
4\*25mm Screw x 20

(A)

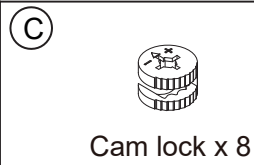
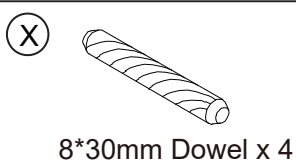
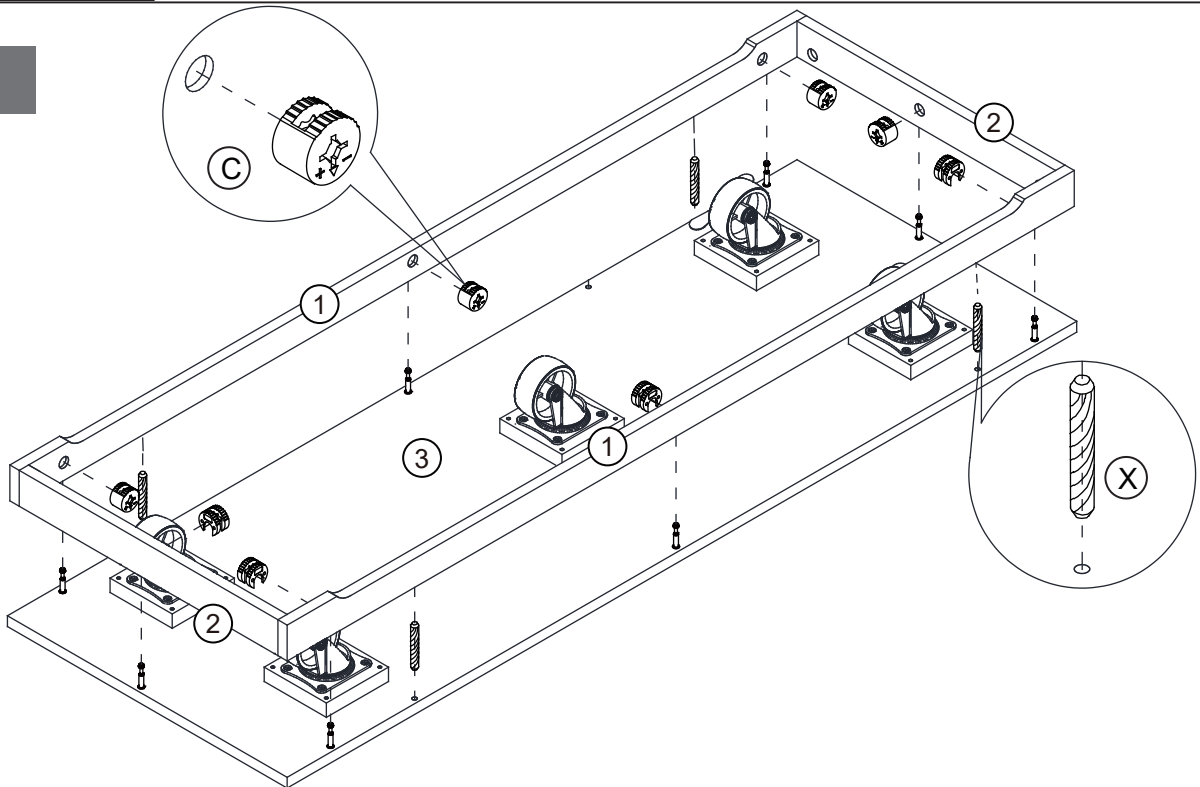
Cam Bolt x8

# Assembly Instructions

## Step 4

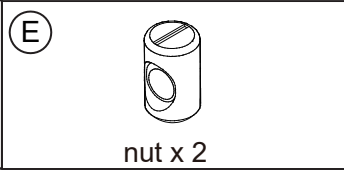
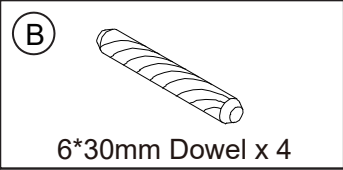
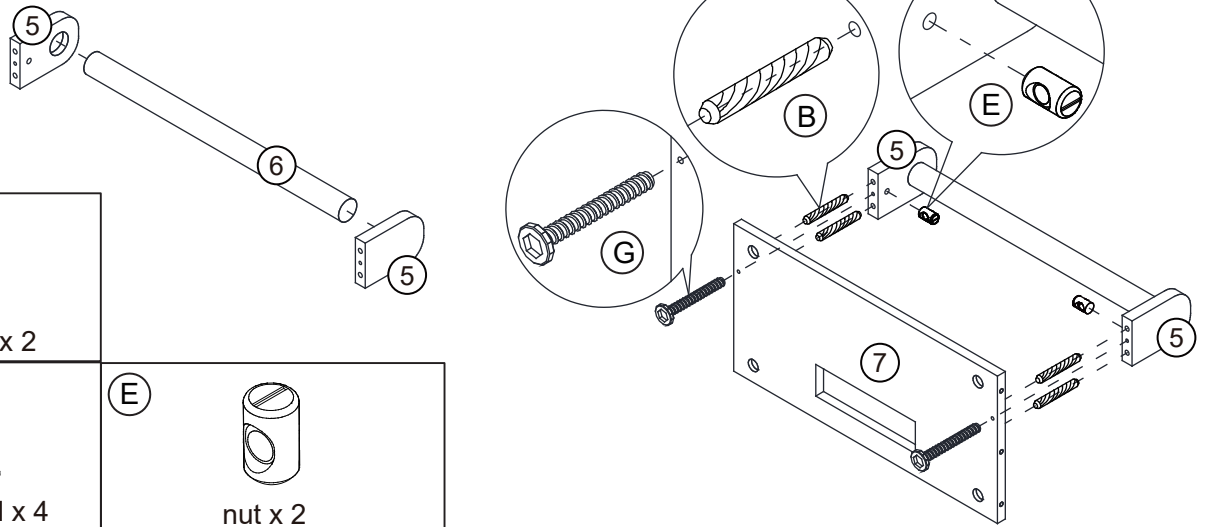


## Step 5

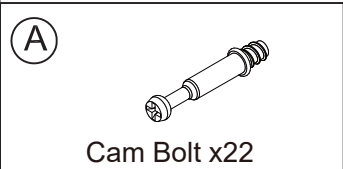
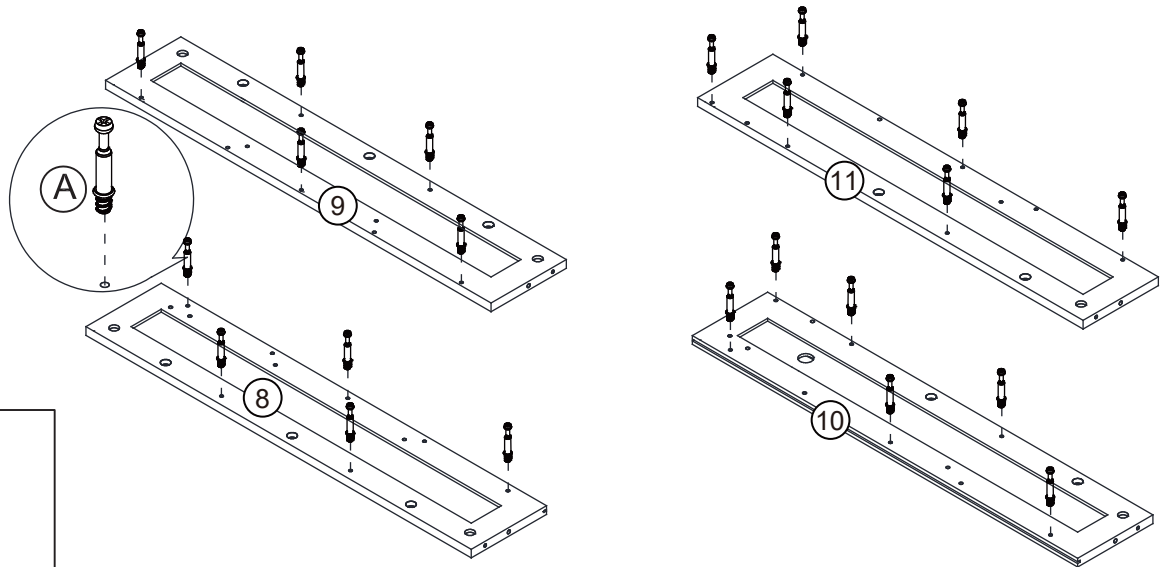


# Assembly Instructions

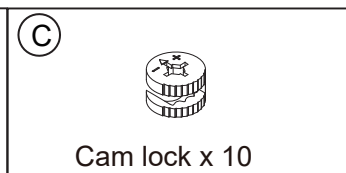
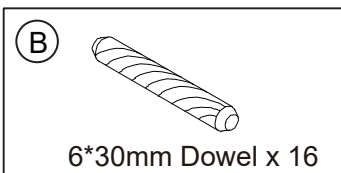
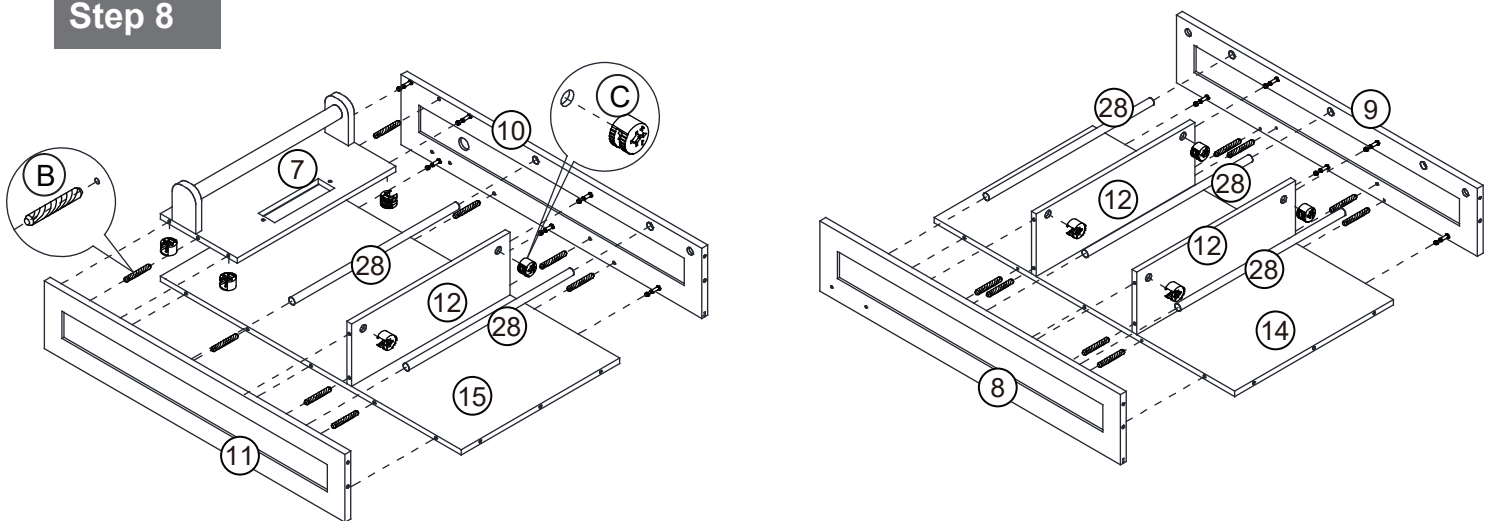
## Step 6



## Step 7

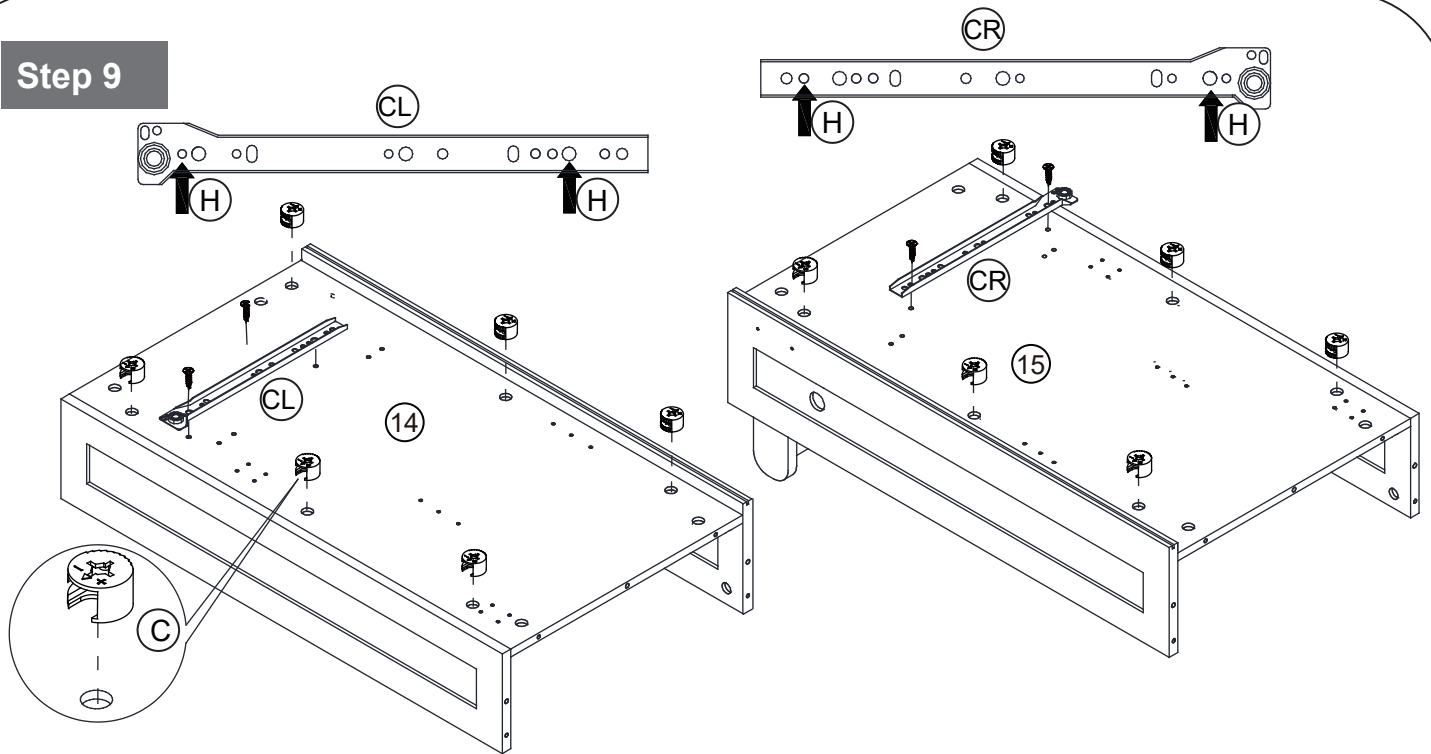


## Step 8



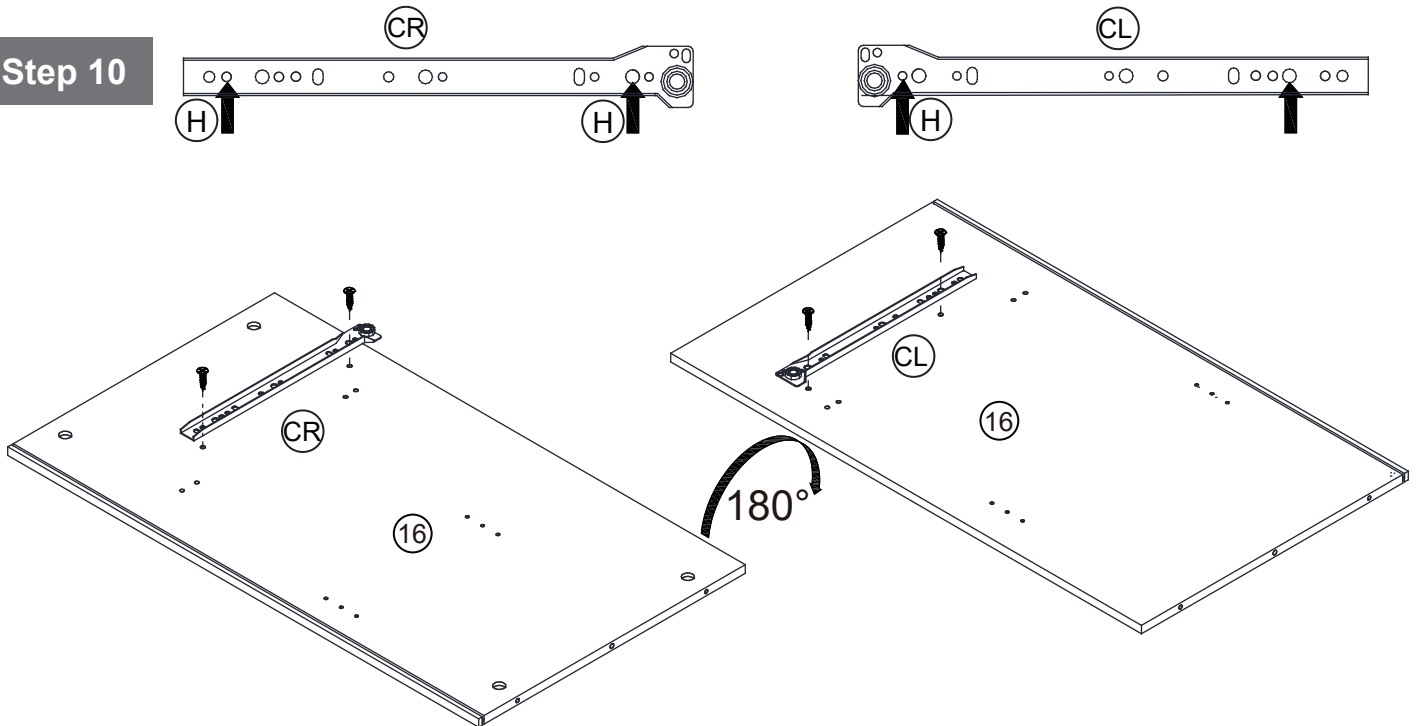
# Assembly Instructions

## Step 9



<p>CL 300mm runner x 1</p>	<p>CR 300mm runner x 1</p>	<p>C Cam lock x 12</p>	<p>H 3.5*12mm Screw x 4</p>
--------------------------------	--------------------------------	----------------------------	---------------------------------

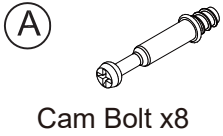
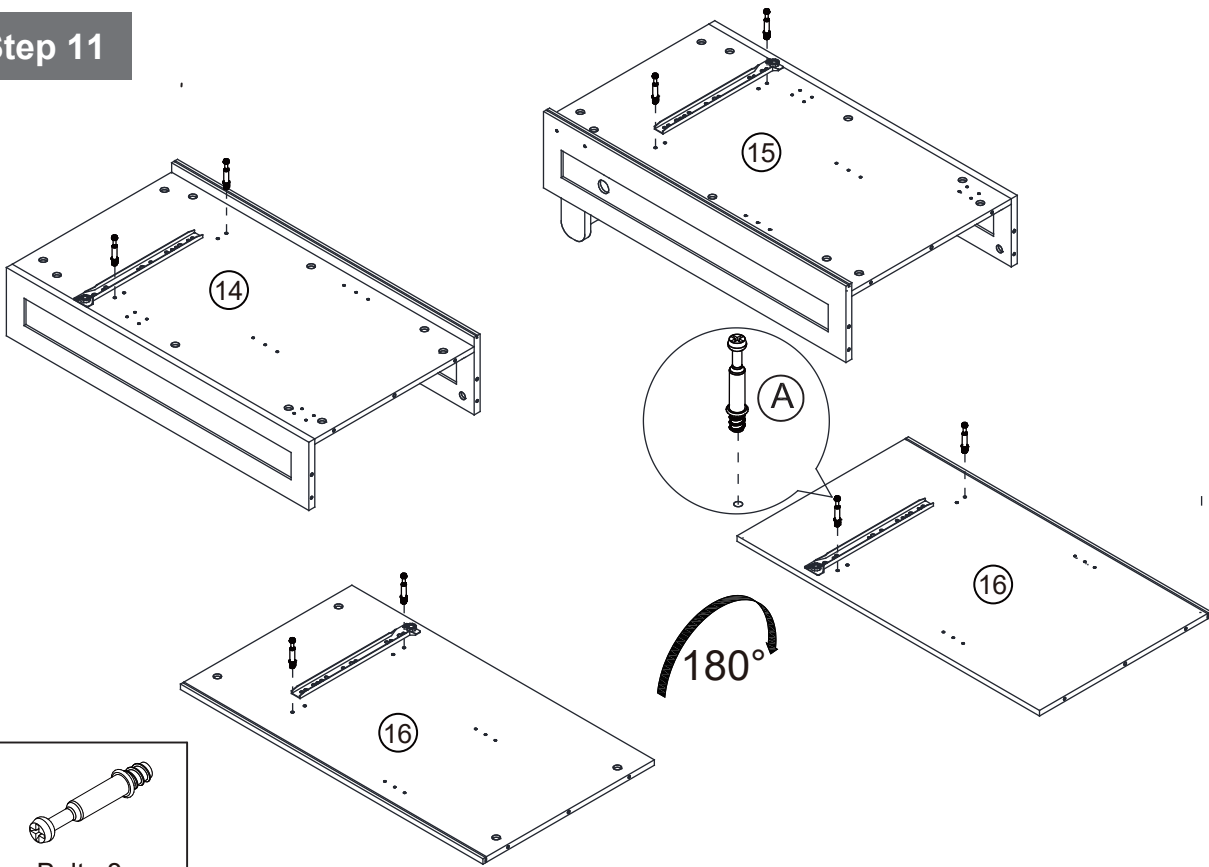
## Step 10



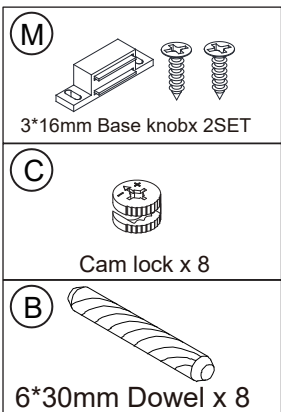
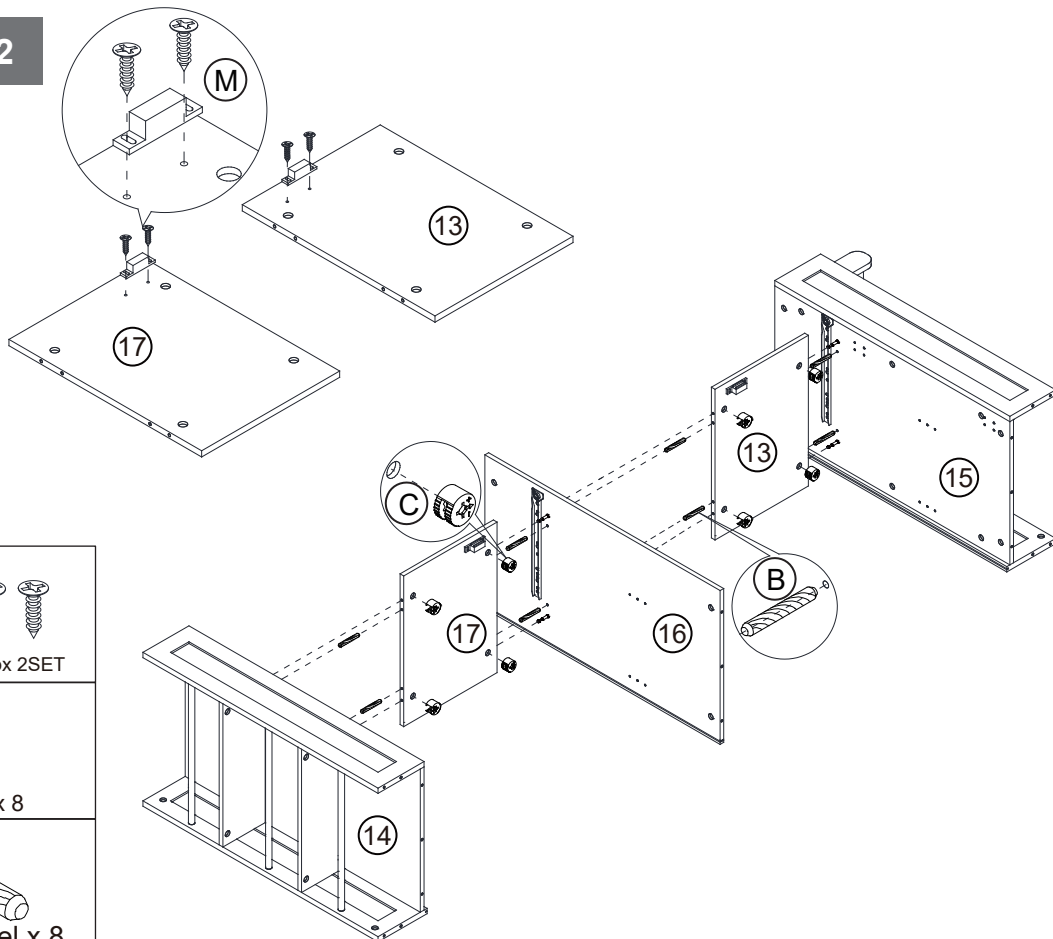
<p>CL 300mm runner x 1</p>	<p>CR 300mm runner x 1</p>	<p>H 3.5*12mm Screw x 4</p>
--------------------------------	--------------------------------	---------------------------------

# Assembly Instructions

## Step 11

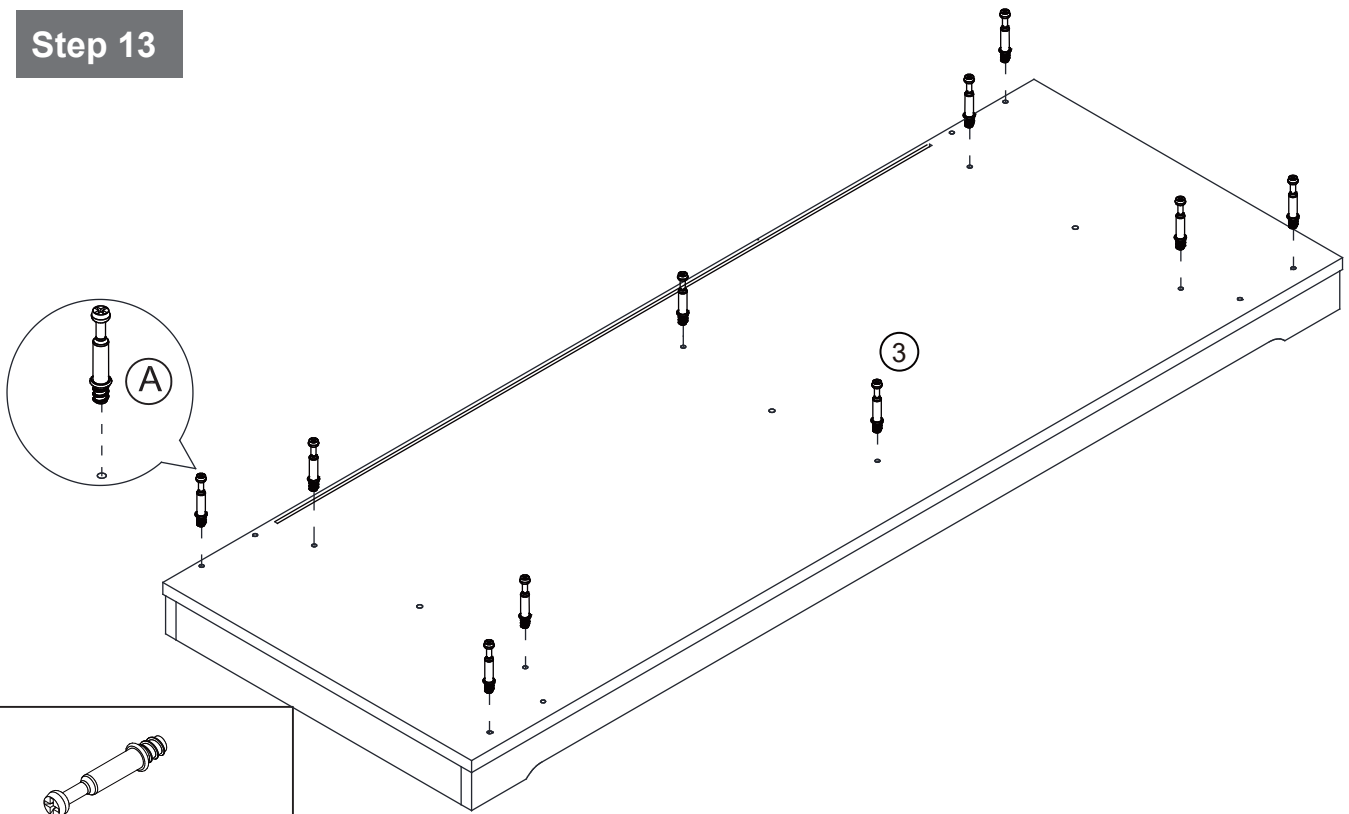


## Step 12

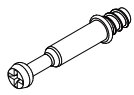


# Assembly Instructions

## Step 13

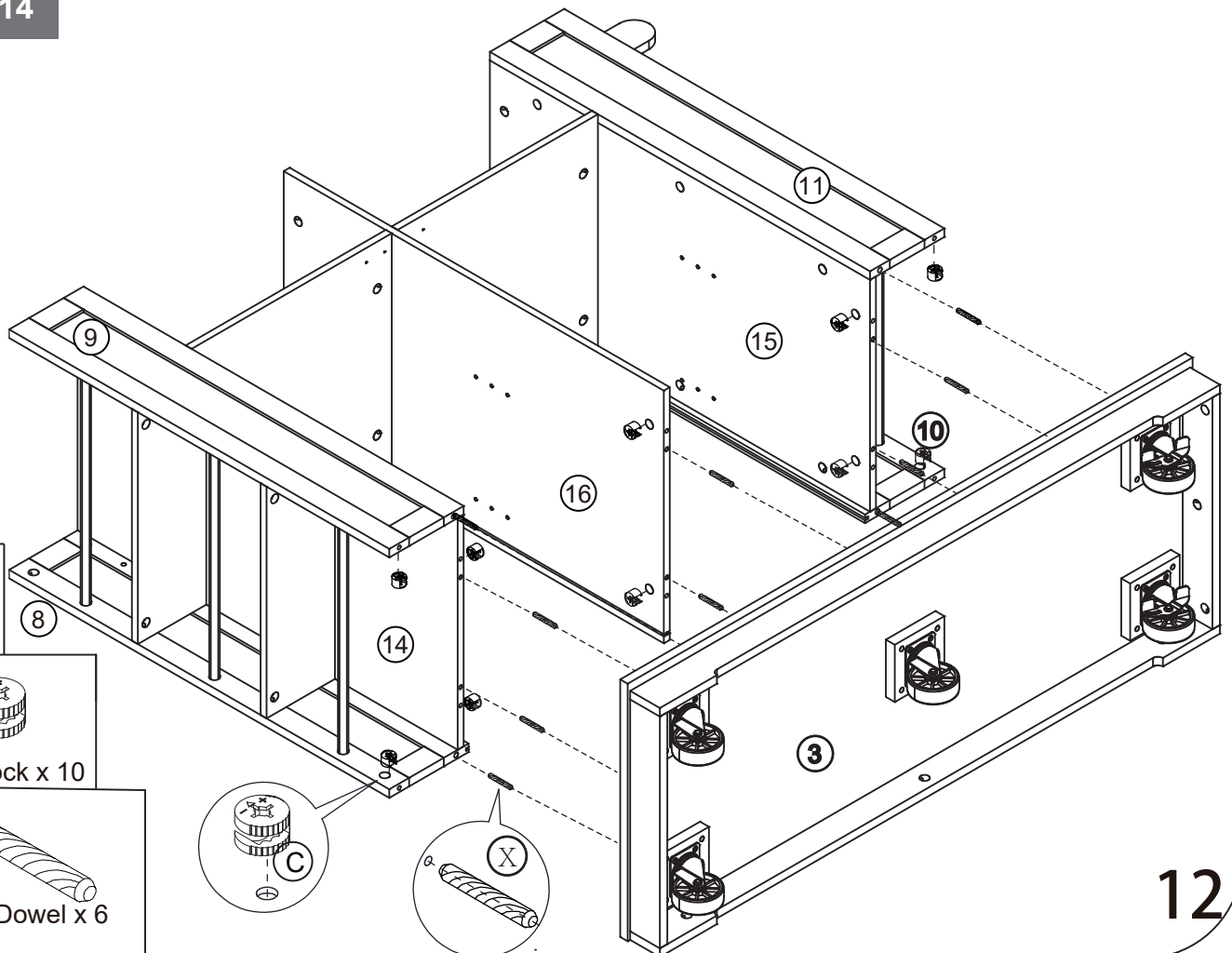


A



Cam Bolt x 10

## Step 14



X

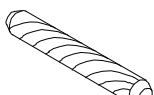
8\*30mm Dowel x 4

C

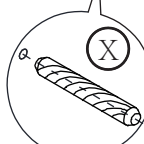
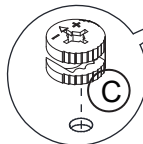


Cam lock x 10

B

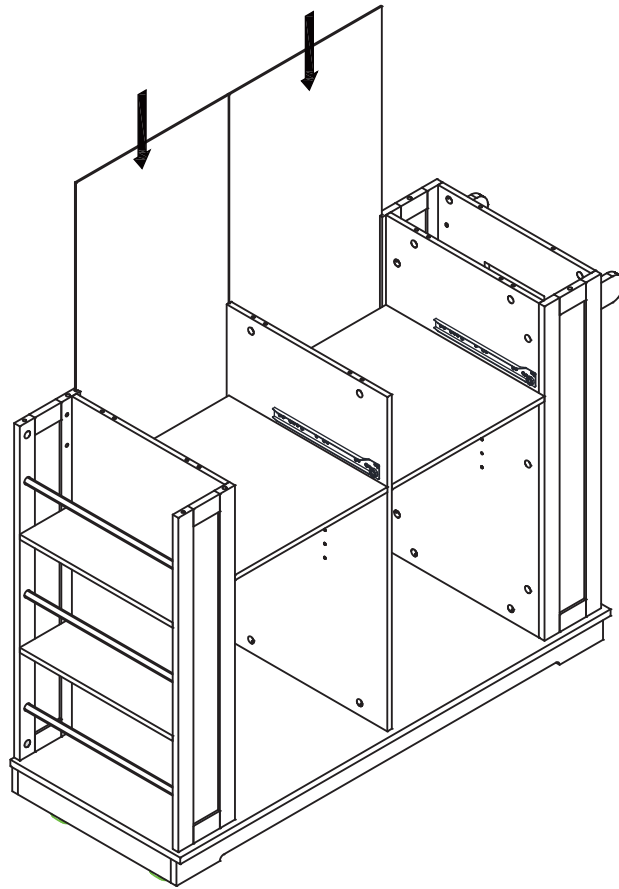


6\*30mm Dowel x 6

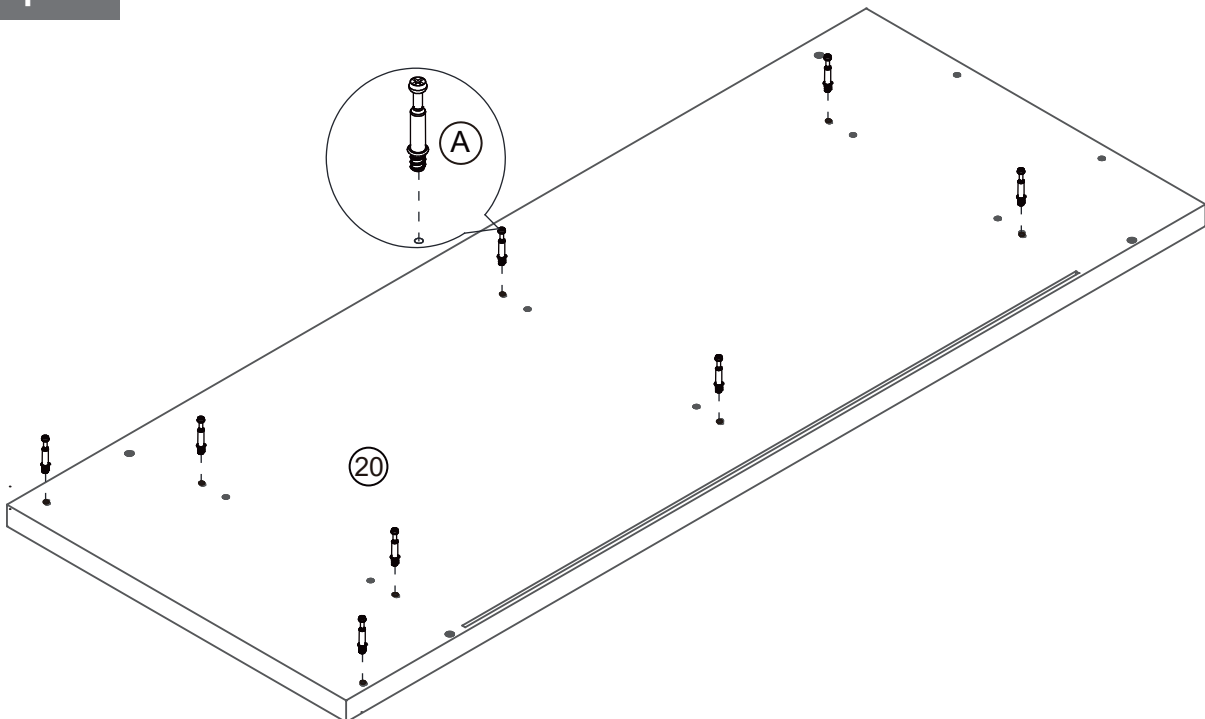


# Assembly Instructions

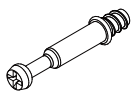
## Step 15



## Step 16



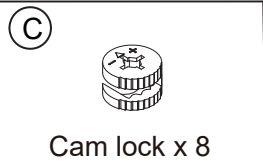
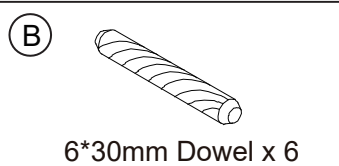
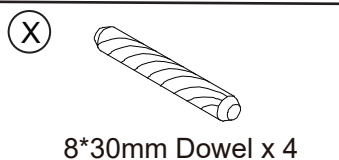
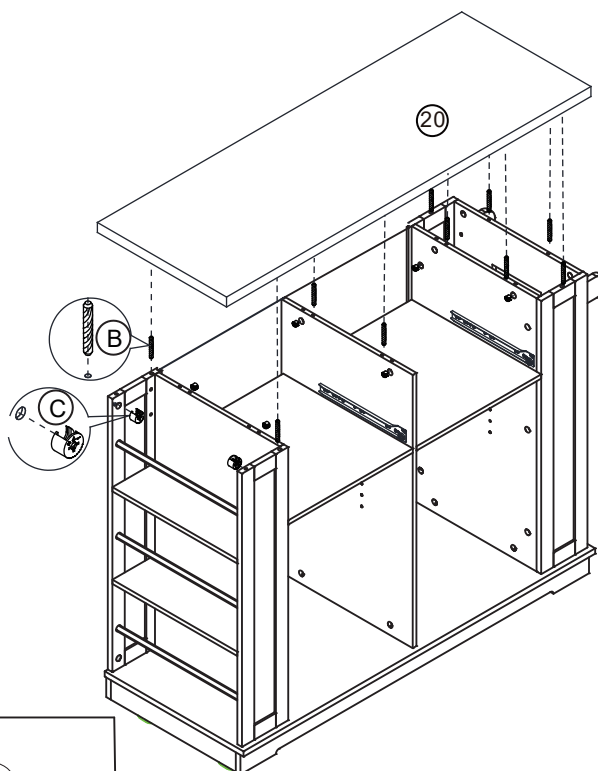
A



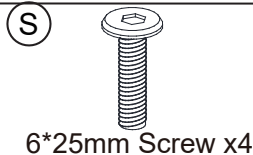
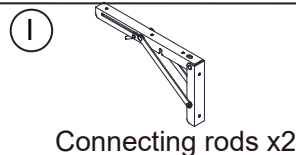
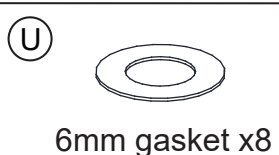
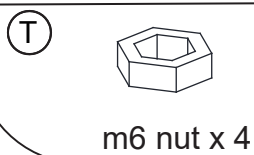
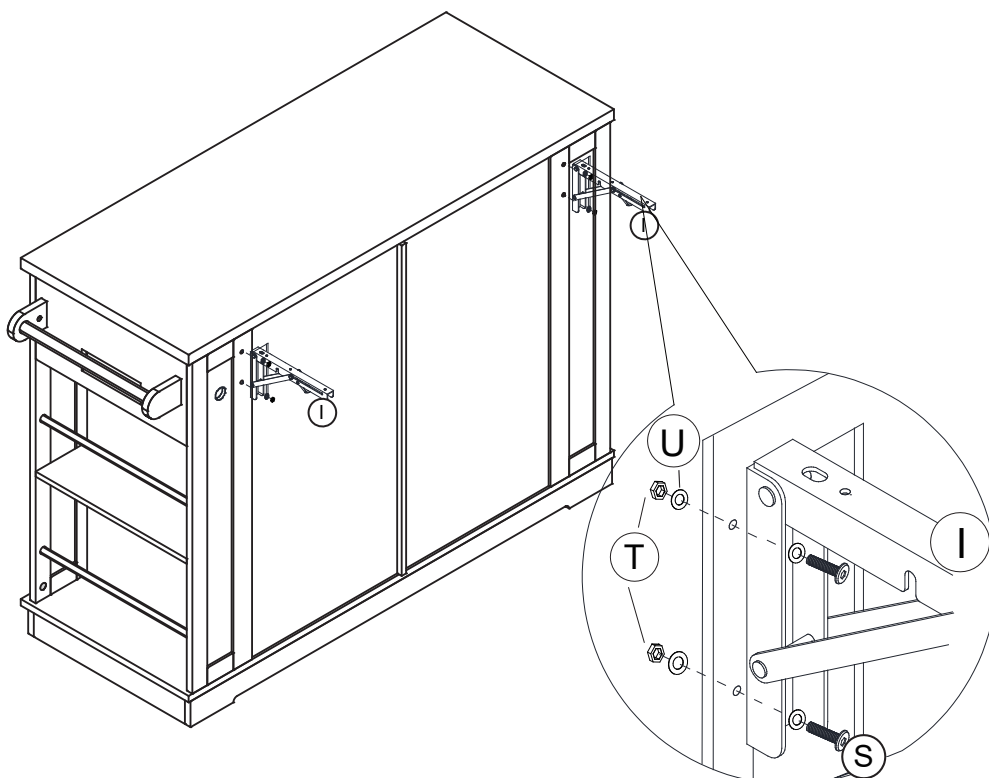
Cam Bolt x 8

# Assembly Instructions

## Step 17

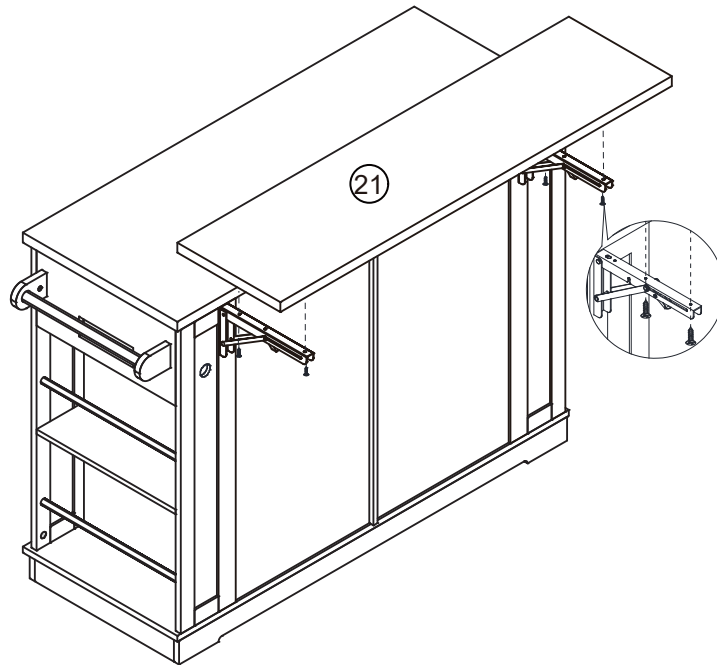


## Step 18



# Assembly Instructions

## Step 19

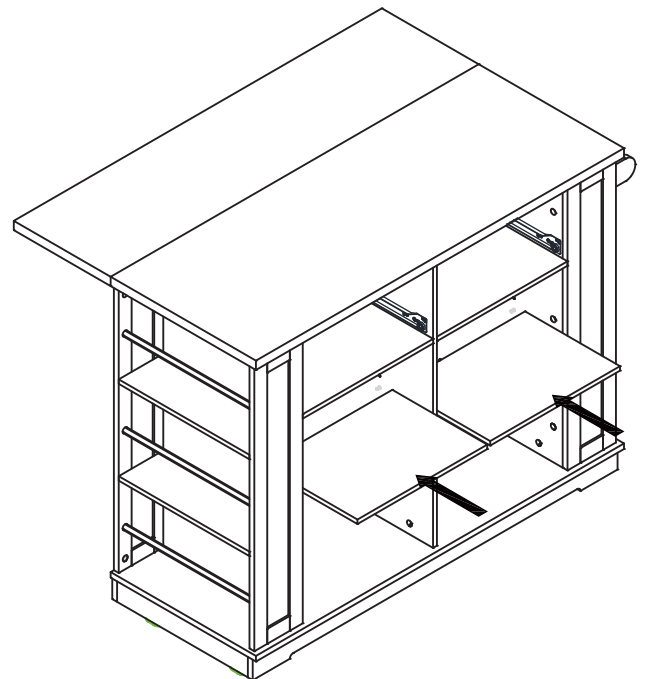
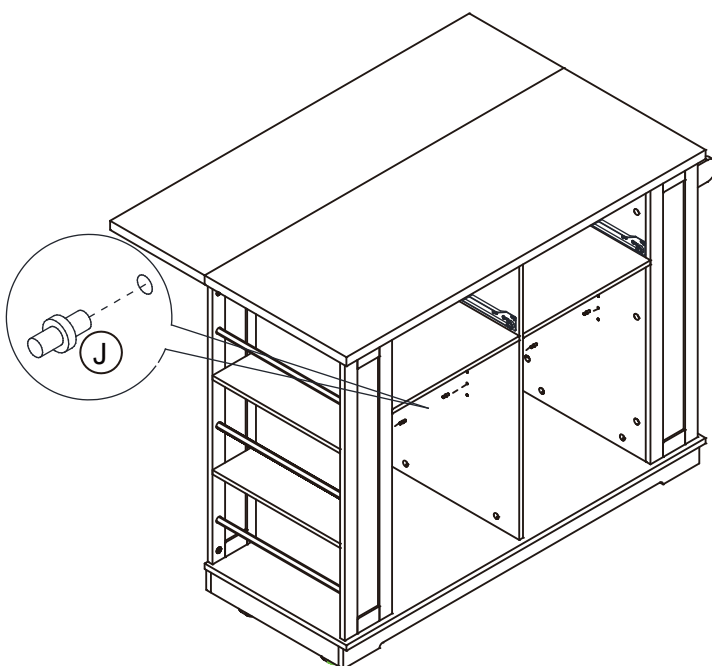


(V)

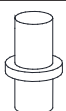


3.5\*14mm Screw x4

## Step 20



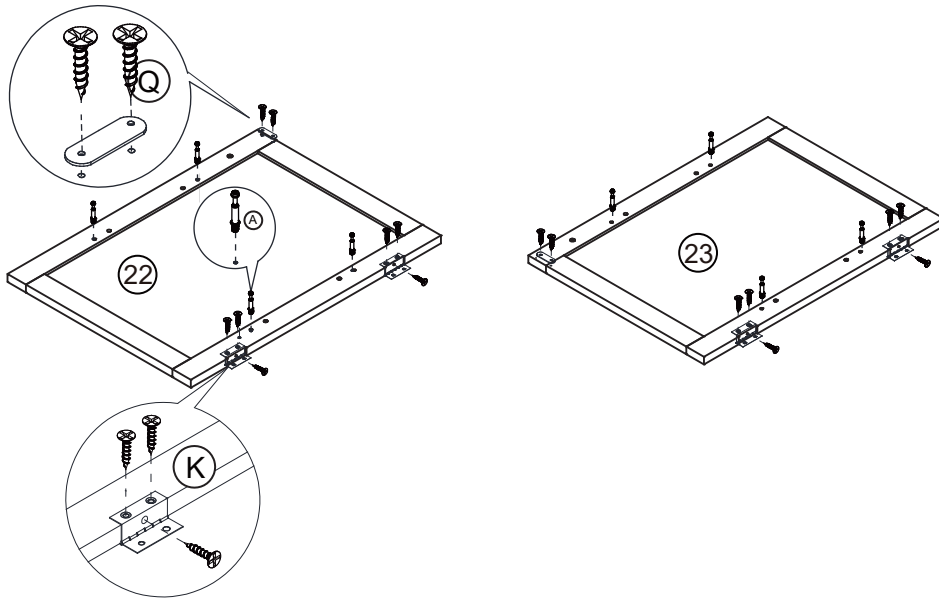
(J)



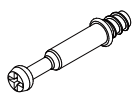
Shelf support pin x 8

# Assembly Instructions

## Step 21



(A)



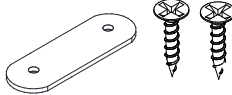
Cam Bolt x 8

(K)



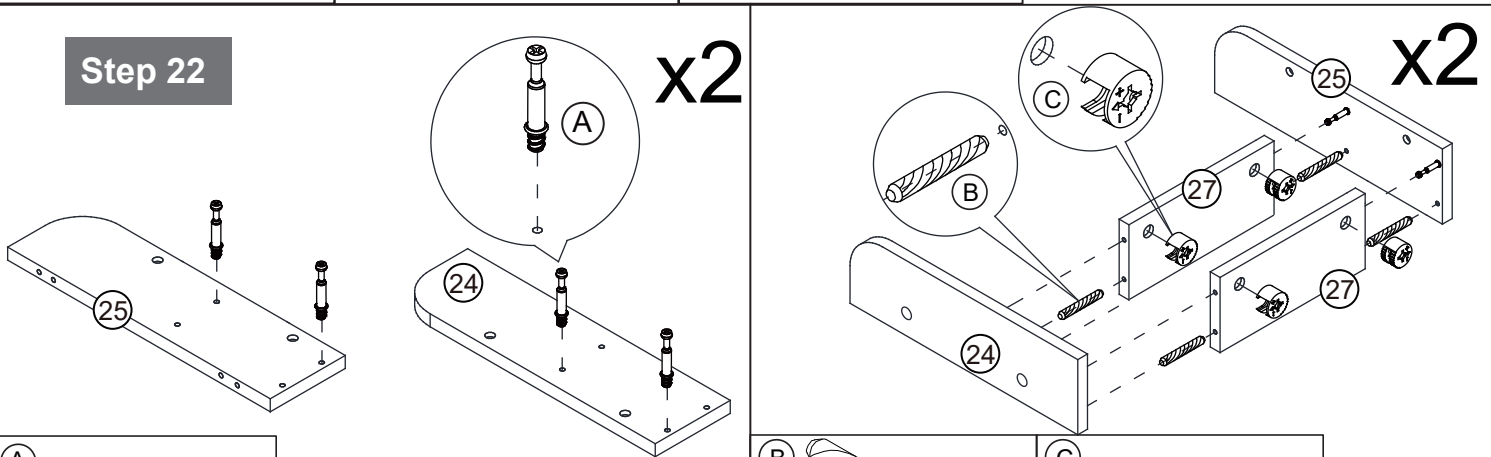
3\*12mm Triple fold hinge  
x 4set

(Q)

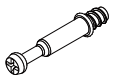


3\*12mm Magnetic sheet x 2SET

## Step 22

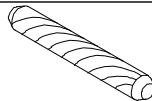


(A)



Cam Bolt x 8

(B)

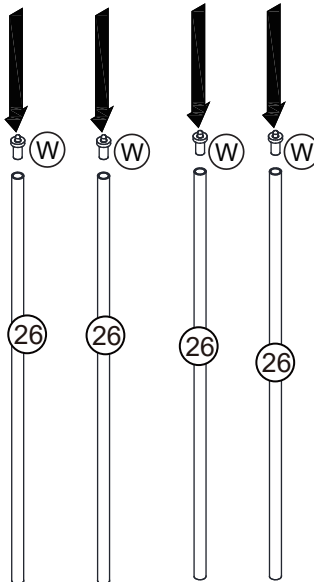
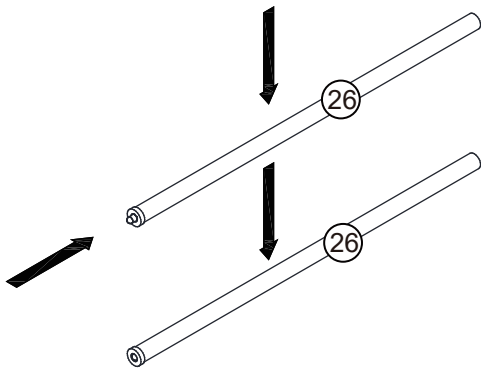


6\*30mm Dowel x 8

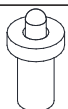
(C)



Cam lock x 8



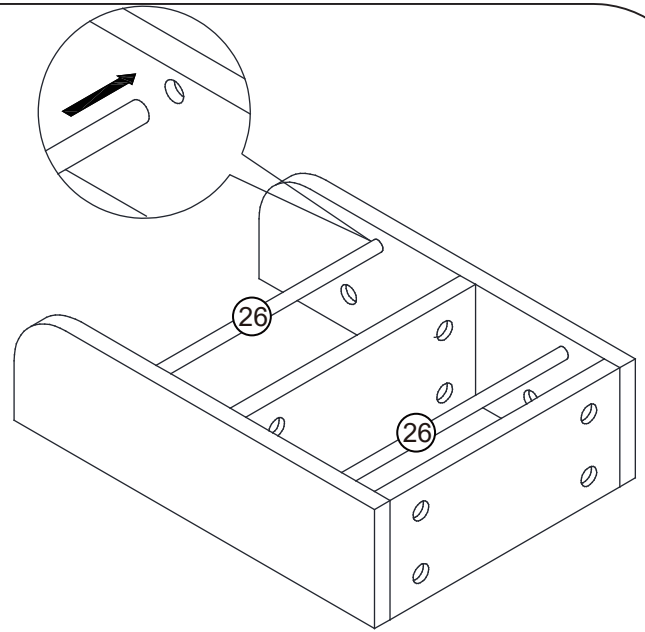
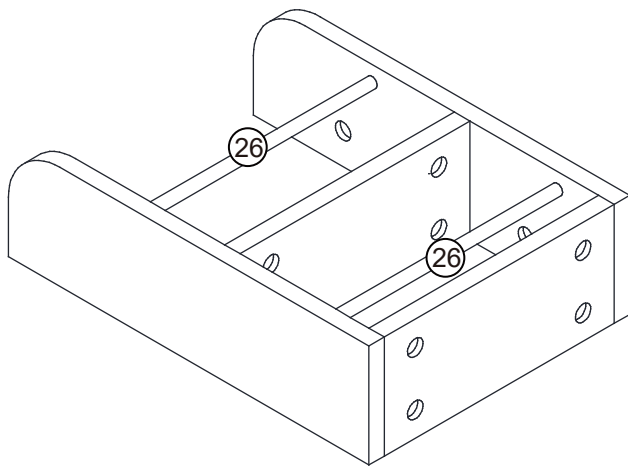
(W)



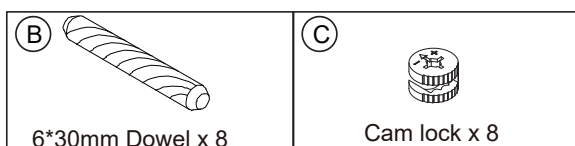
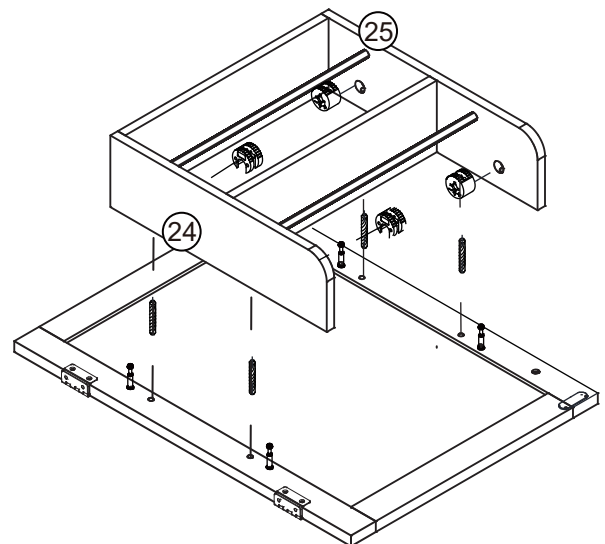
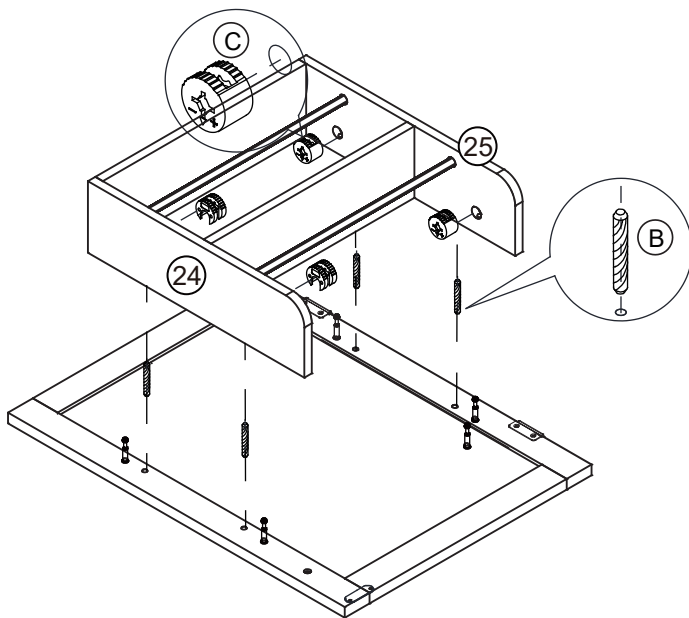
Iron pipe spring x 4

# Assembly Instructions

## Step 23

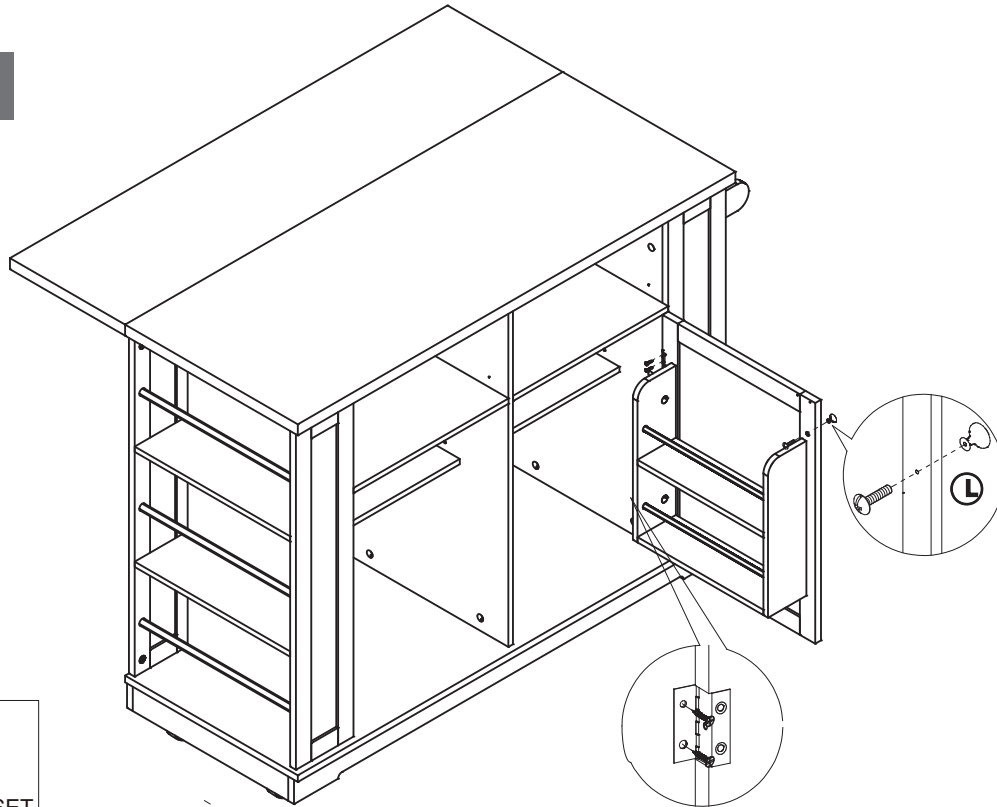


## Step 24

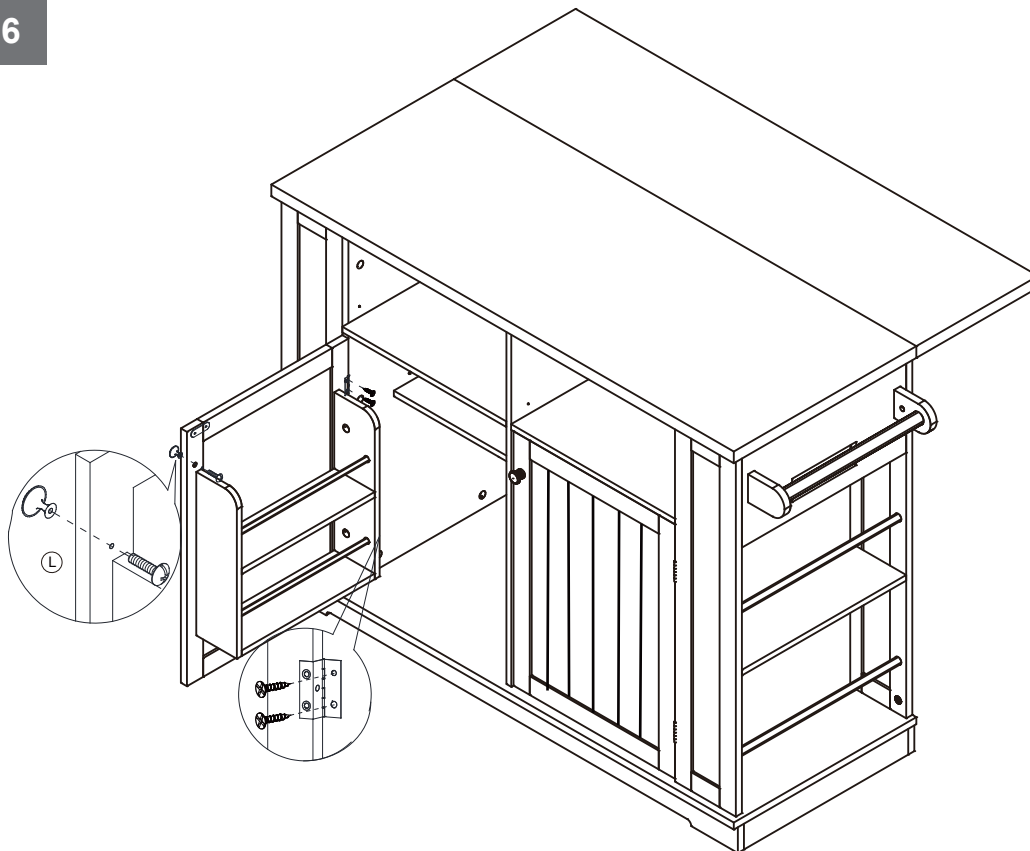


# Assembly Instructions

## Step 25



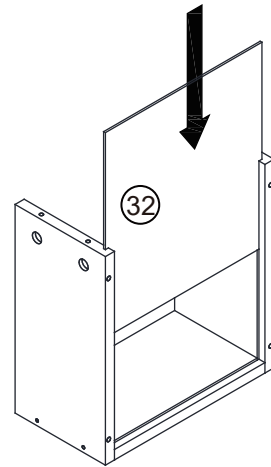
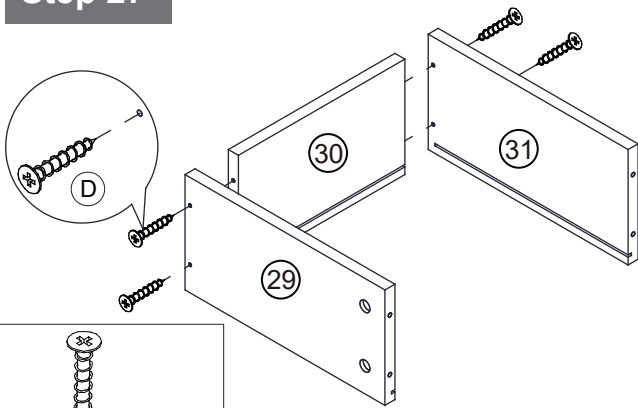
## Step 26



# Assembly Instructions

## Step 27

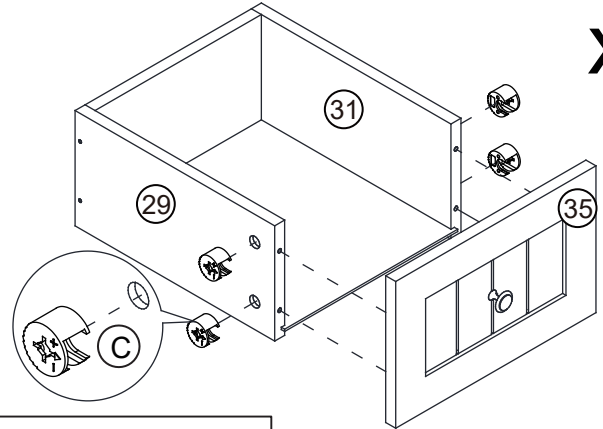
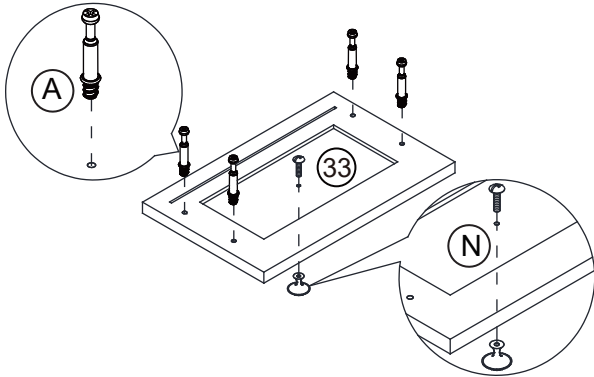
x2



D

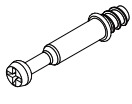


4\*25mm Screw x 8



x2

A



Cam Bolt x 8

N



4\*12mm Handle x 2SET

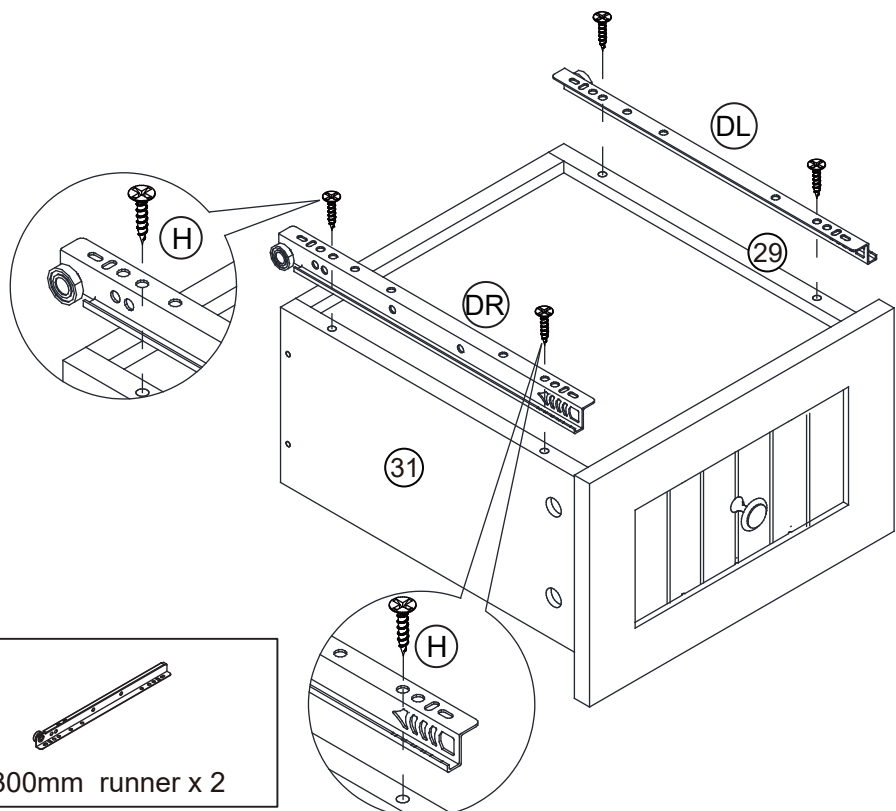
C



Cam lock x 8

## Step 28

x2



H



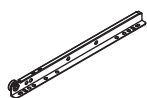
3.5\*12mm Screw x 8

DL



300mm runner x 2

DR

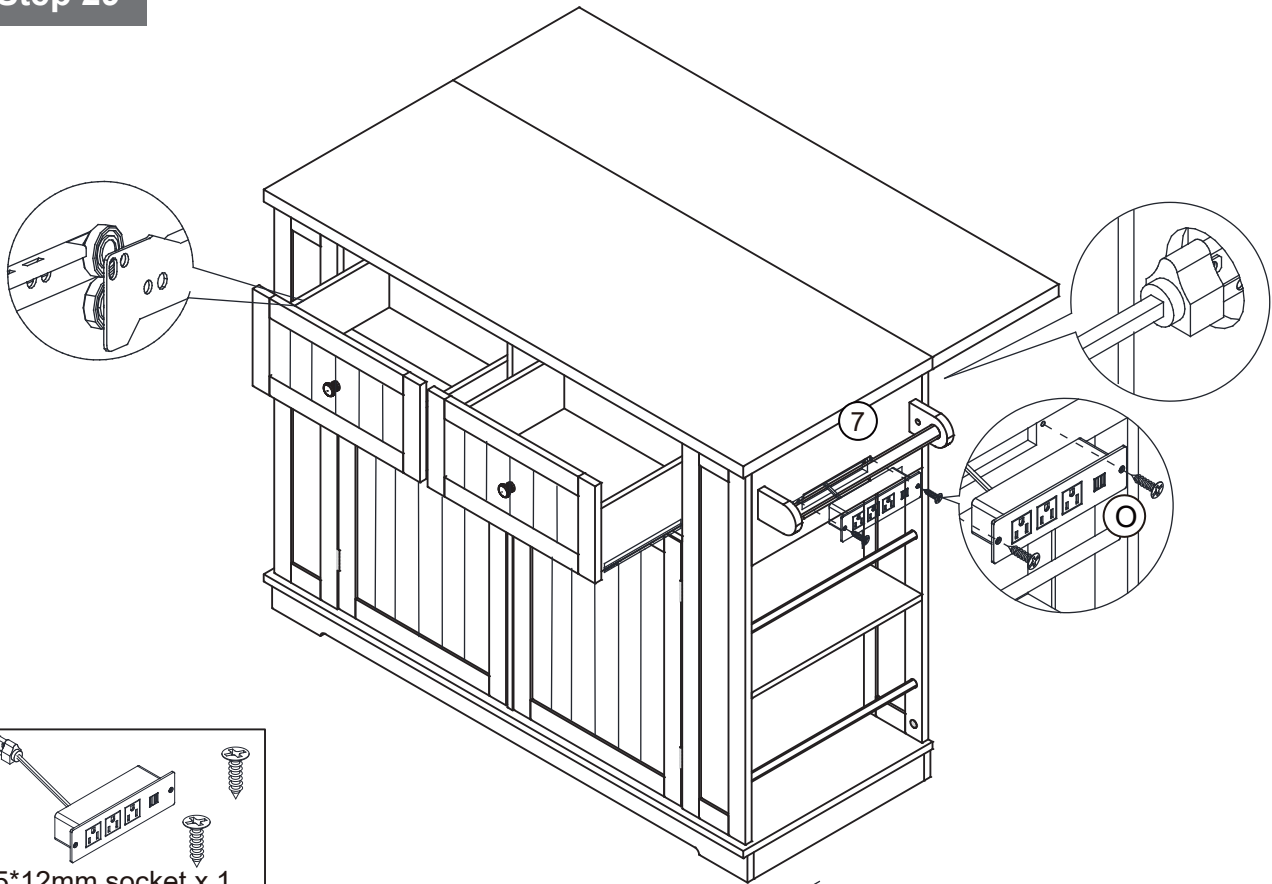


300mm runner x 2

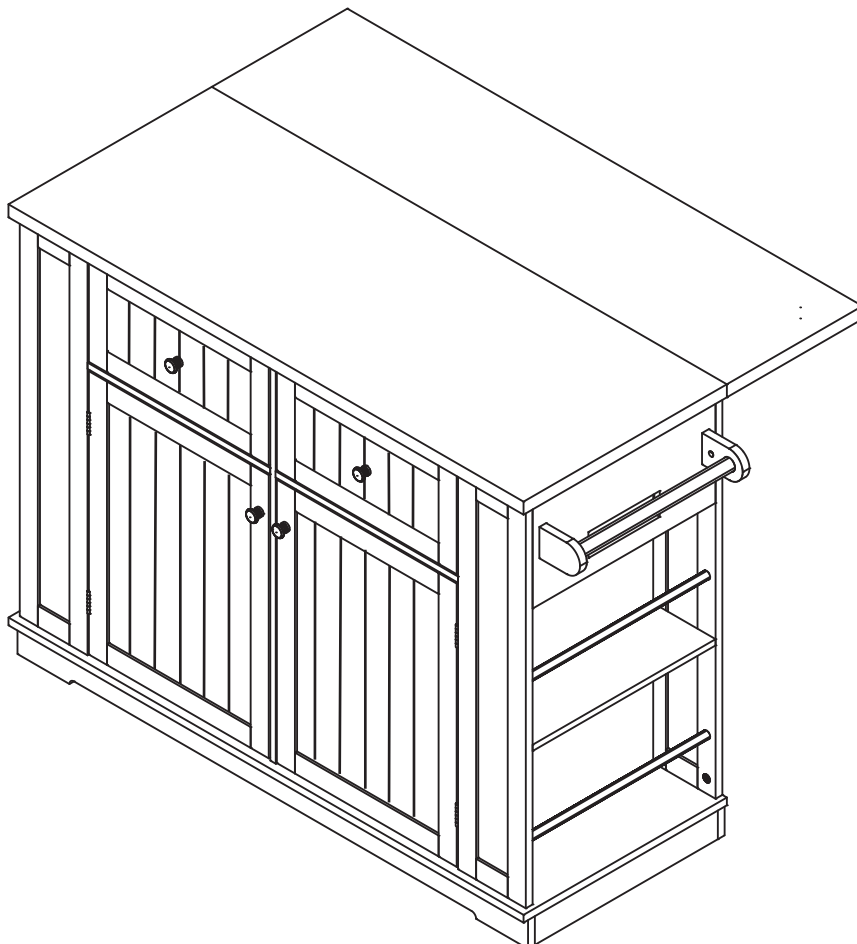
19

# Assembly Instructions

## Step 29

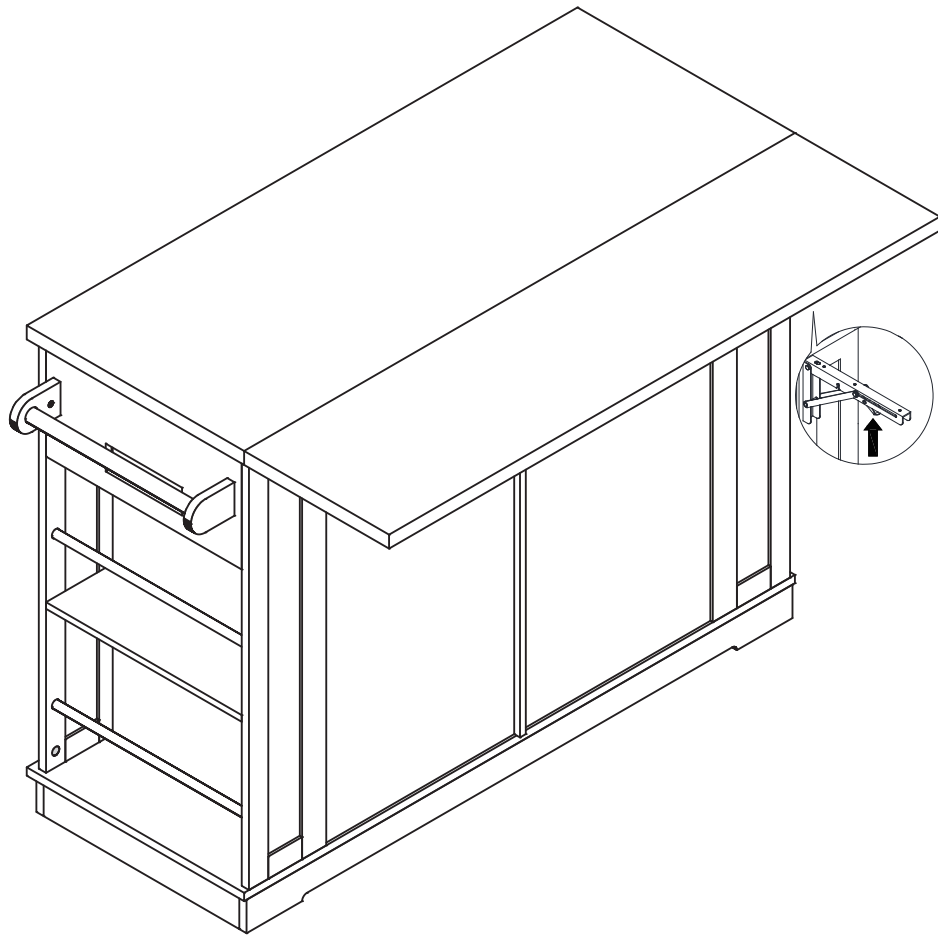


## Step 30



# Assembly Instructions

## Step 31



## Step 32

