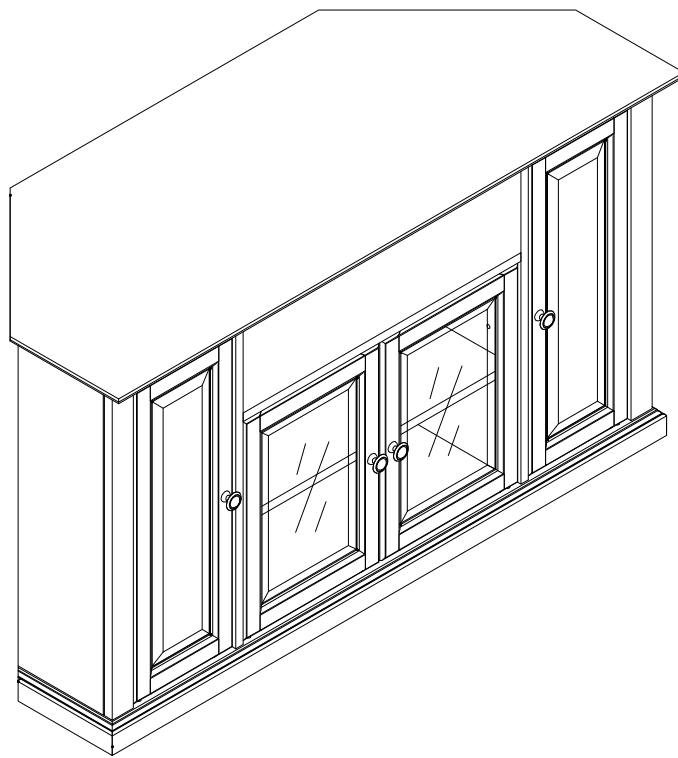
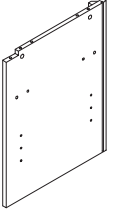
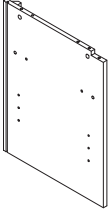


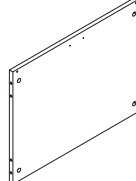
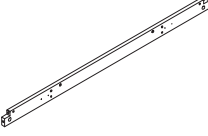
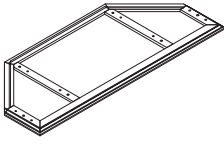

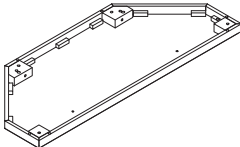
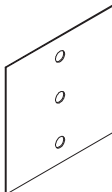
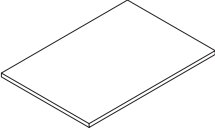
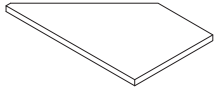
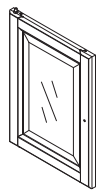
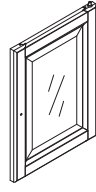
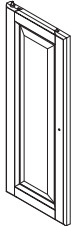
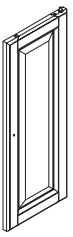


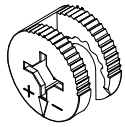
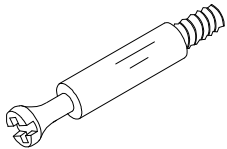
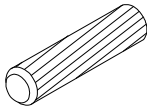

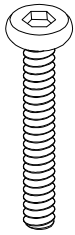

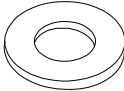
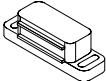
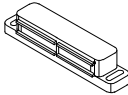
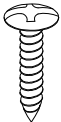

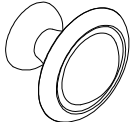

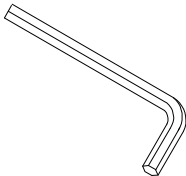

# 48" Corner TV Stand Cabinet



# PART LIST

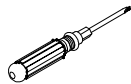
<p><b>A</b></p> 	<p><b>B</b></p> 	<p><b>C</b></p> 	<p><b>D</b></p> 	<p><b>E</b></p> 
<p>LEFT PARTITION PANEL 1 PC</p>	<p>RIGHT PARTITION PANEL 1 PC</p>	<p>LEFT SIDE PANEL 1 PC</p>	<p>RIGHT SIDE PANEL 1 PC</p>	<p>FITED SHELF  1 PC</p>
<p><b>F</b></p> 	<p><b>G</b></p> 	<p><b>H</b></p> 	<p><b>I</b></p> 	<p><b>J</b></p> 
<p>TOP RAIL  1 PC</p>	<p>TOP PANEL  1 PC</p>	<p>SIDE BACK PANEL 2 PCS</p>	<p>BOTTOM PANEL  1 PC</p>	<p>MIDDLE BACK PANEL 1 PC</p>
<p><b>K</b></p> 	<p><b>L</b></p> 	<p><b>M</b></p> 	<p><b>N</b></p> 	<p><b>O</b></p> 
<p>MIDDLE ADJUSTABLE PANEL 1 PC</p>	<p>SIDE ADJUSTABLE PANEL 2 PCS</p>	<p>LEFT DOOR GLASS 1 PC</p>	<p>RIGHT DOOR GLASS 1 PC</p>	<p>LEFT DOOR  1 PC</p>
<p><b>P</b></p>  <p>RIGHT DOOR  1 PC</p>				

# HARDWARE LIST

1		2		3		4		5	
CAM LOCK 12 PCS		CAM BOLT 12 PCS		WOOD DOWEL 24 PCS		SCREW 4 PCS		ALLEN BOLT 6 PCS	
6		7		8		9		10	
SPRING WASHER 6 PCS		FLAT WASHER 6 PCS		DOOR MAGNET 2 PCS		DOUBLE DOOR MAGNET 1 PC		ROUND HEAD SCREW 18 PCS	
11		12		13		14		15	
SHELF HOLDER 12 PCS		KNOB 4 PCS		ROUND HEAD BOLT 4 PCS		ALLEN WRENCH 1 PC		SAFETY STRAP KIT 1 PC	

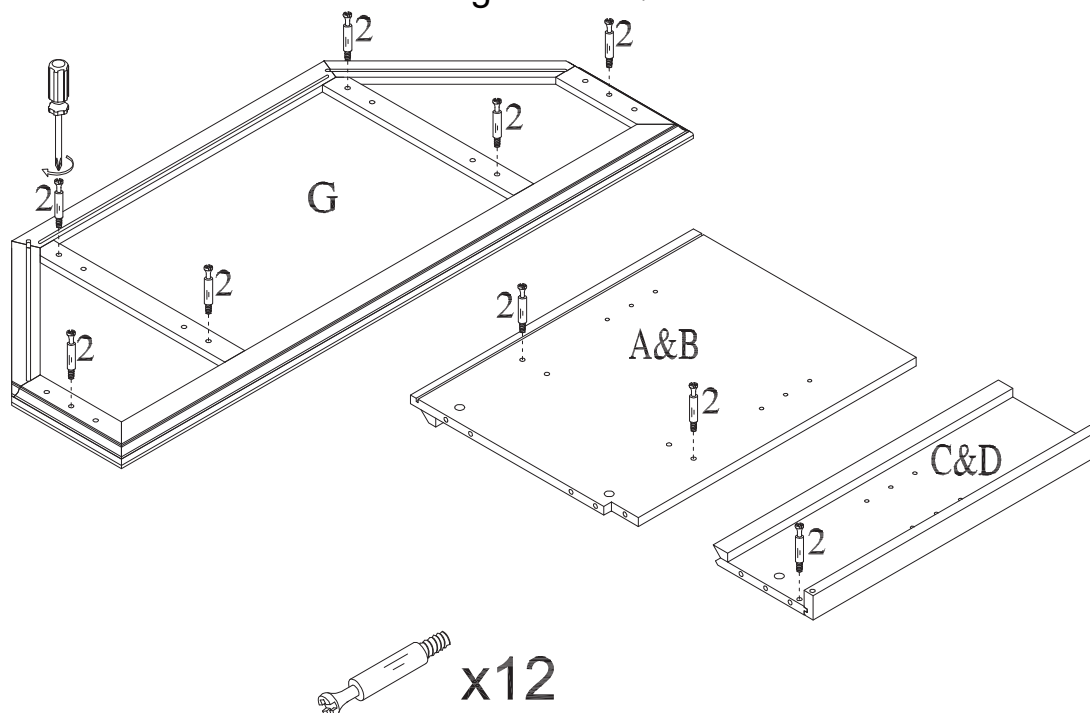
## ADDITIONAL TOOLS (Not Provided)

Note: It is not recommended to use power tools during assembly. However a screw gun can assist with mounting.

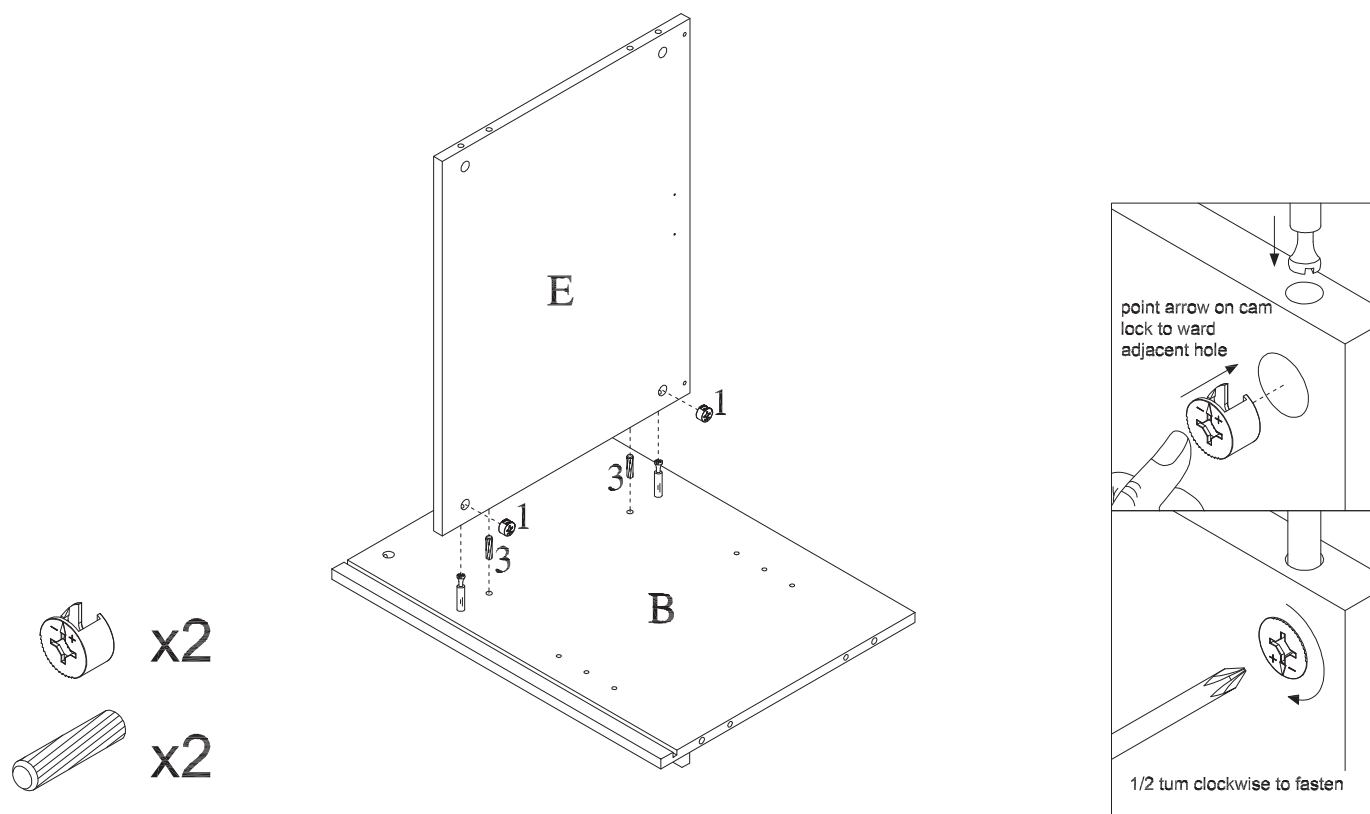


Phillips Head Screw Driver

Step 1. Insert Cam Bolts(Part#2) into pre-drilled holes of parts A, B, C, D, G using a Phillips Head screw driver as shown.  
 NOTE: Do not overtighten cam bolts. Stop tightening once threads on cam bolt are no longer visible.



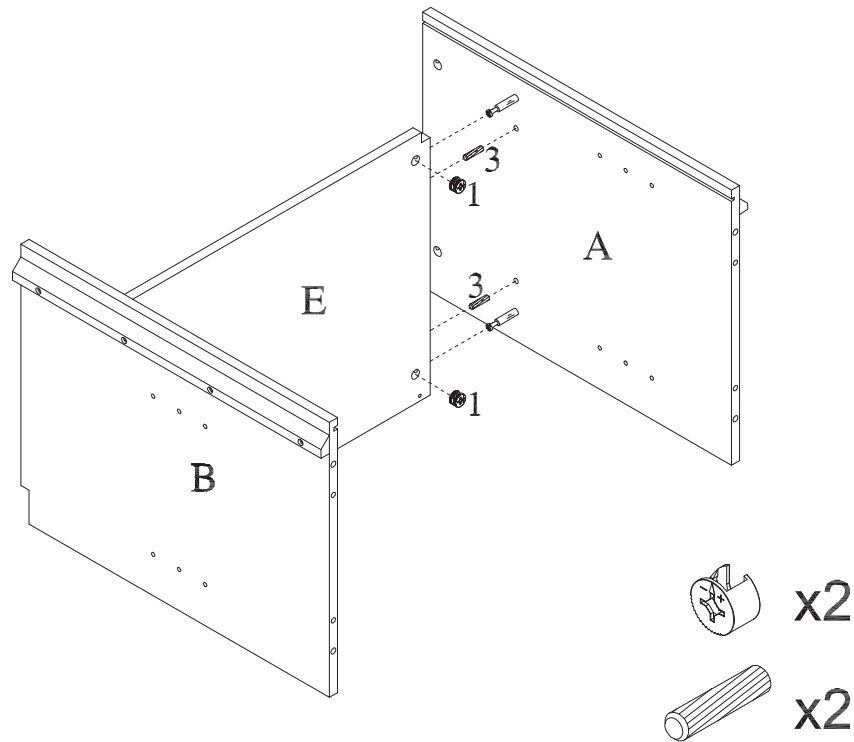
Step 2. Attach Shelf E to Panel B with Wood dowels and Cam locks as shown.  
 Carefully turn assemble parts B & E upright on the floor.  
 NOTE: Cam locks must rotate full 180°. See pictured insert.



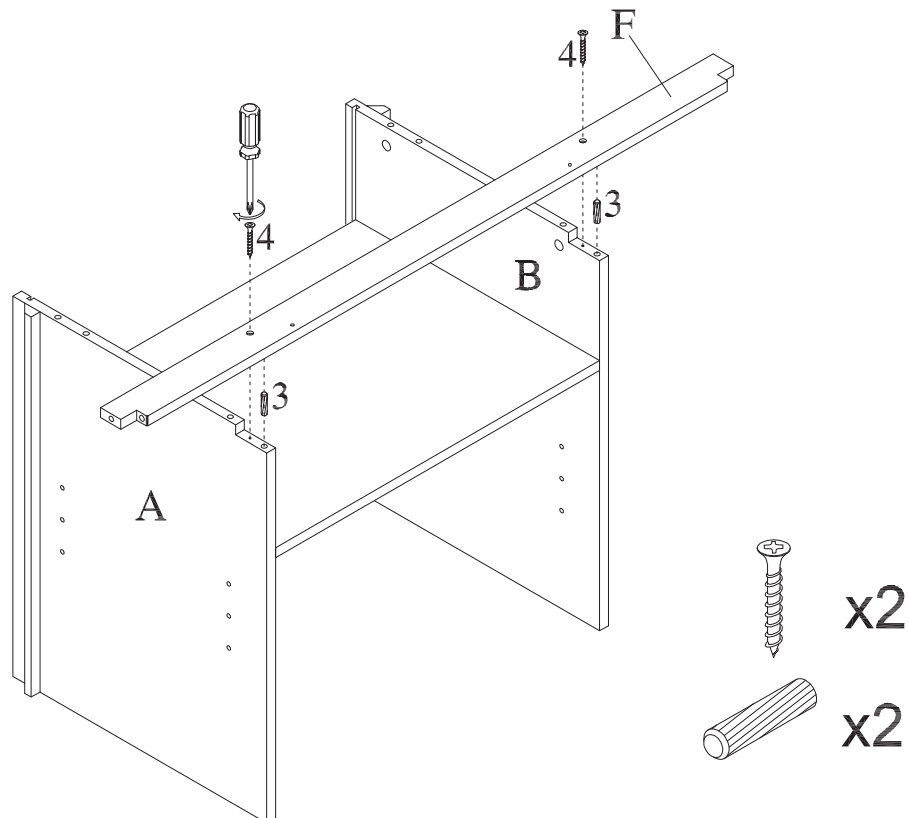
**Step 3.** Attach Part A to Part E with Wood dowels and Cam locks as shown.

Carefully turn over the assemble part B, E & A upright with notched cutouts facing upward.

NOTE: Cam locks must rotate full 180°. See pictured insert.

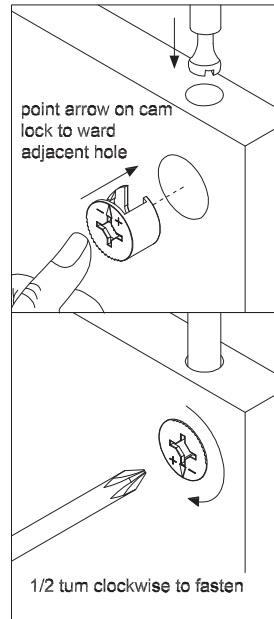
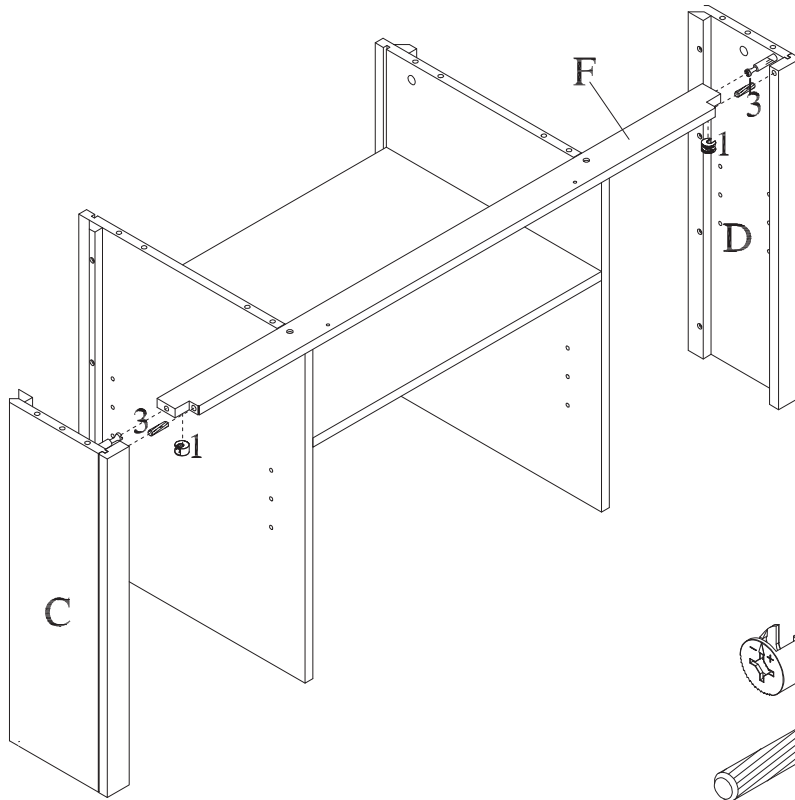


**Step 4.** Attach Rail F to Part A & B with Wood dowels and Screws ( Part#4) into pre-drilled holes as shown



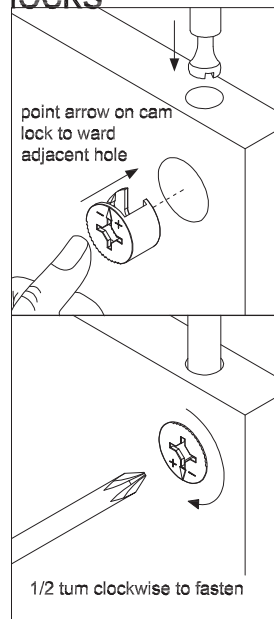
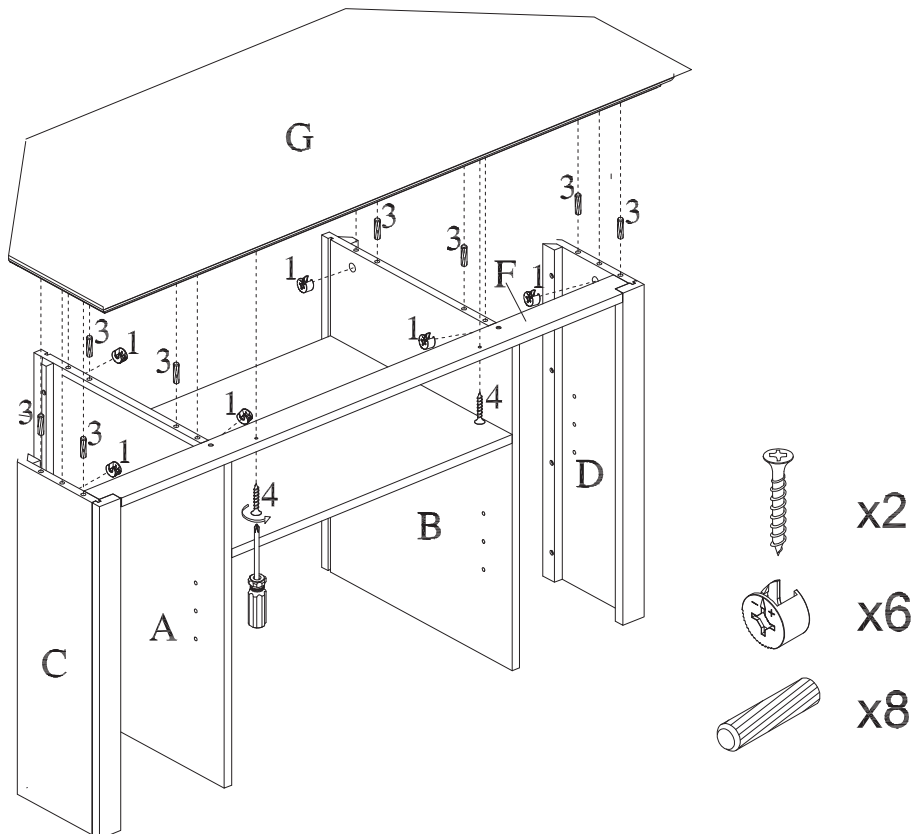
Step 5. Attach Side panels C & D to Rail F using Wood dowels and Cam locks as shown.

NOTE: Cam locks must rotate full 180°. See pictured insert.

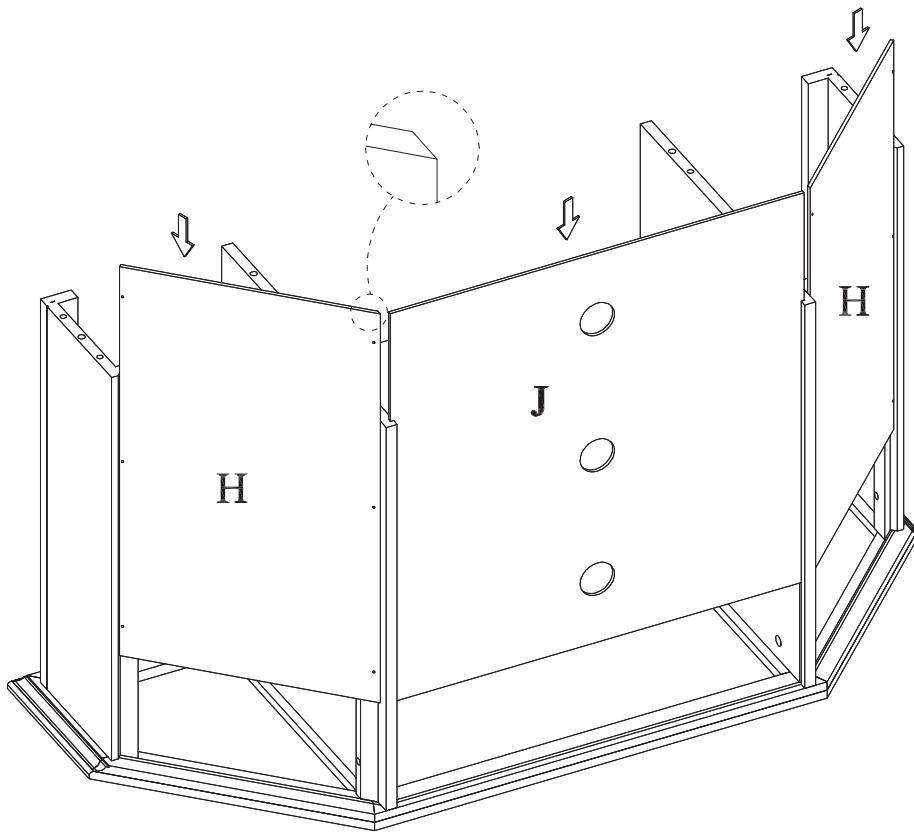


Step 6. Attach Top G to cabinet using Wood dowels and Cam locks as shown. Secure Rail F to Top G using two Wood screws (Part#4) through pre-drilled hole as shown.

NOTE: Cam locks must rotate full 180°. See pictured insert.

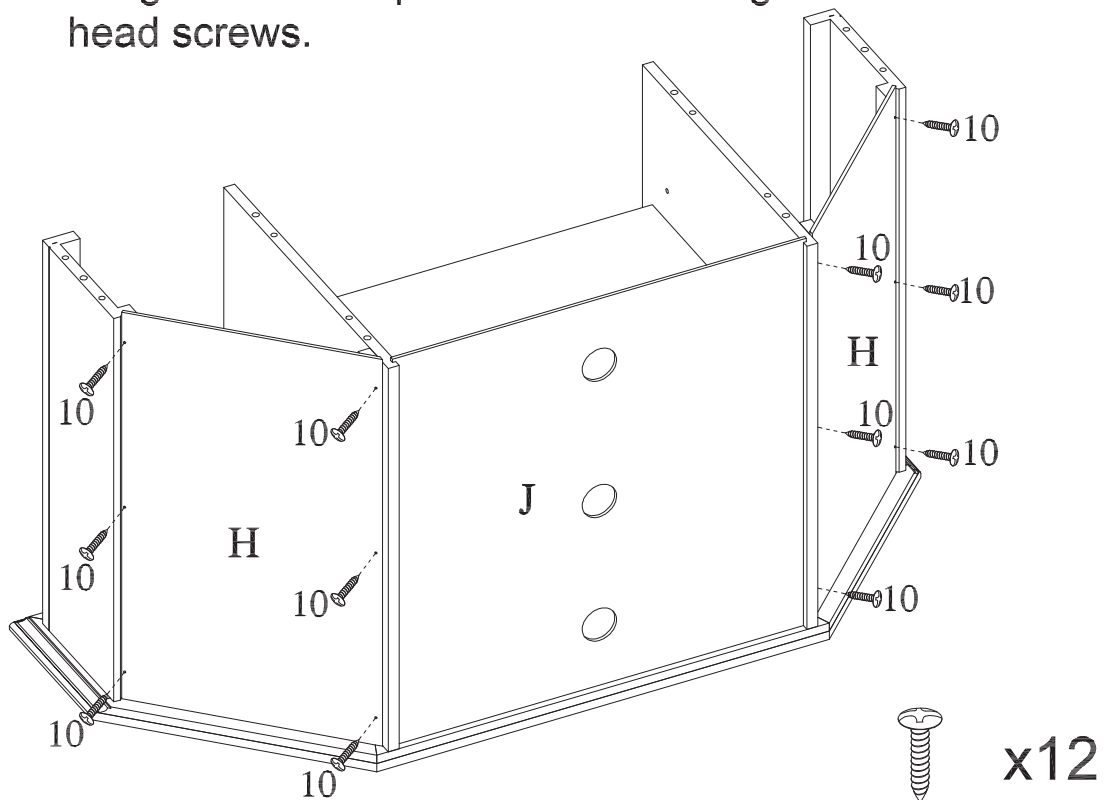


Step 7. Carefully turn over the cabinet with the top on floor  
Slide Back panels H and J into the grooves as shown.

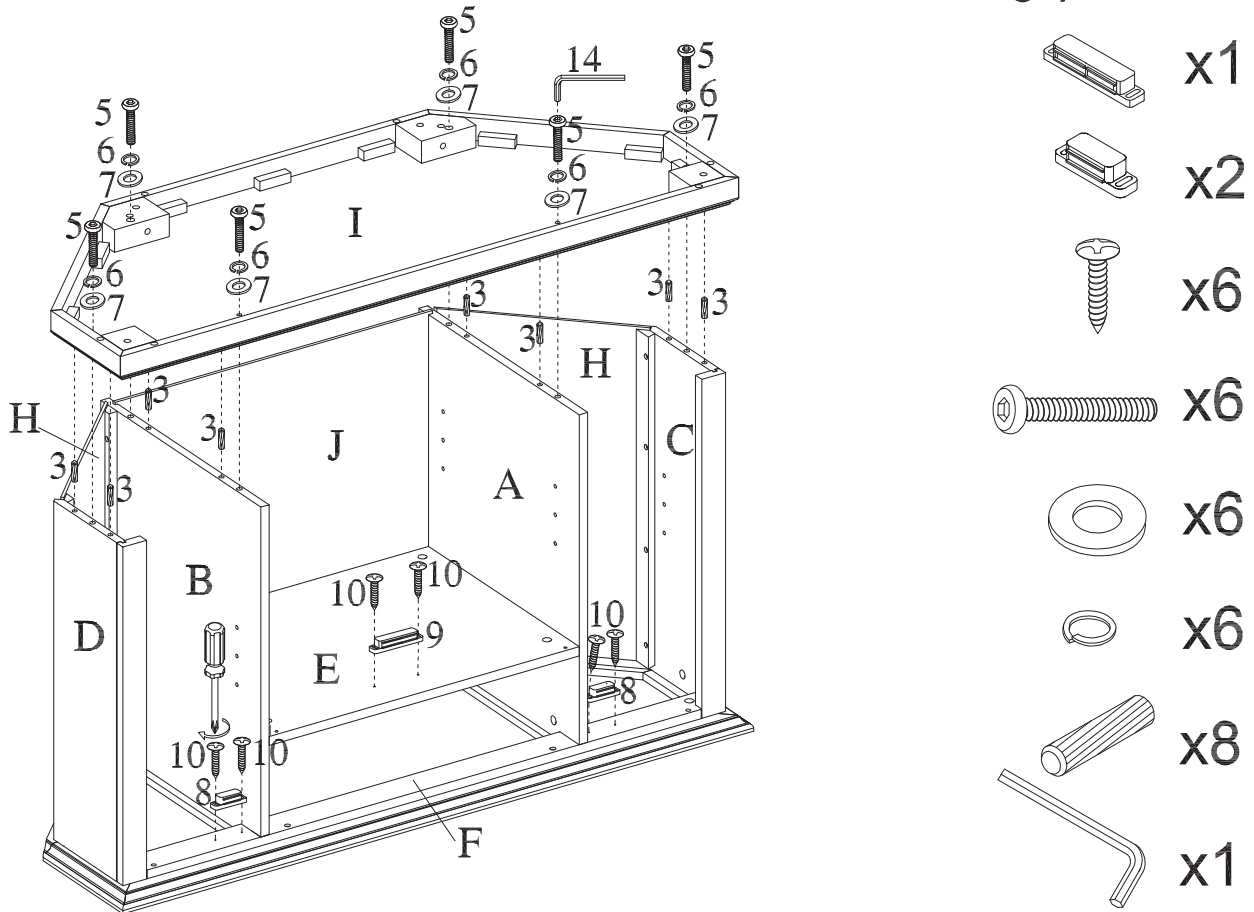


Step 8. Screw the Round head screws(Part#10) into pre-drilled holes of Side back panel H as shown.

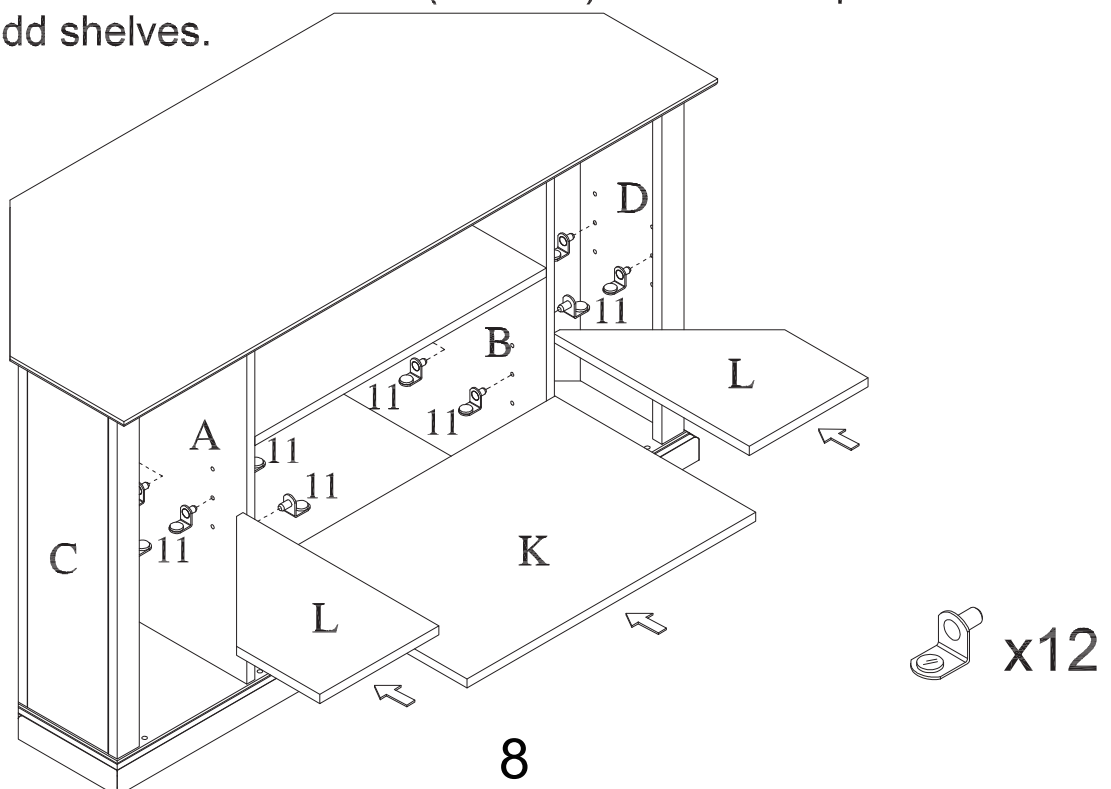
Note: Be sure that Panels H & J are inserted completely into the grooves of Top G before attaching Panels H with round head screws.



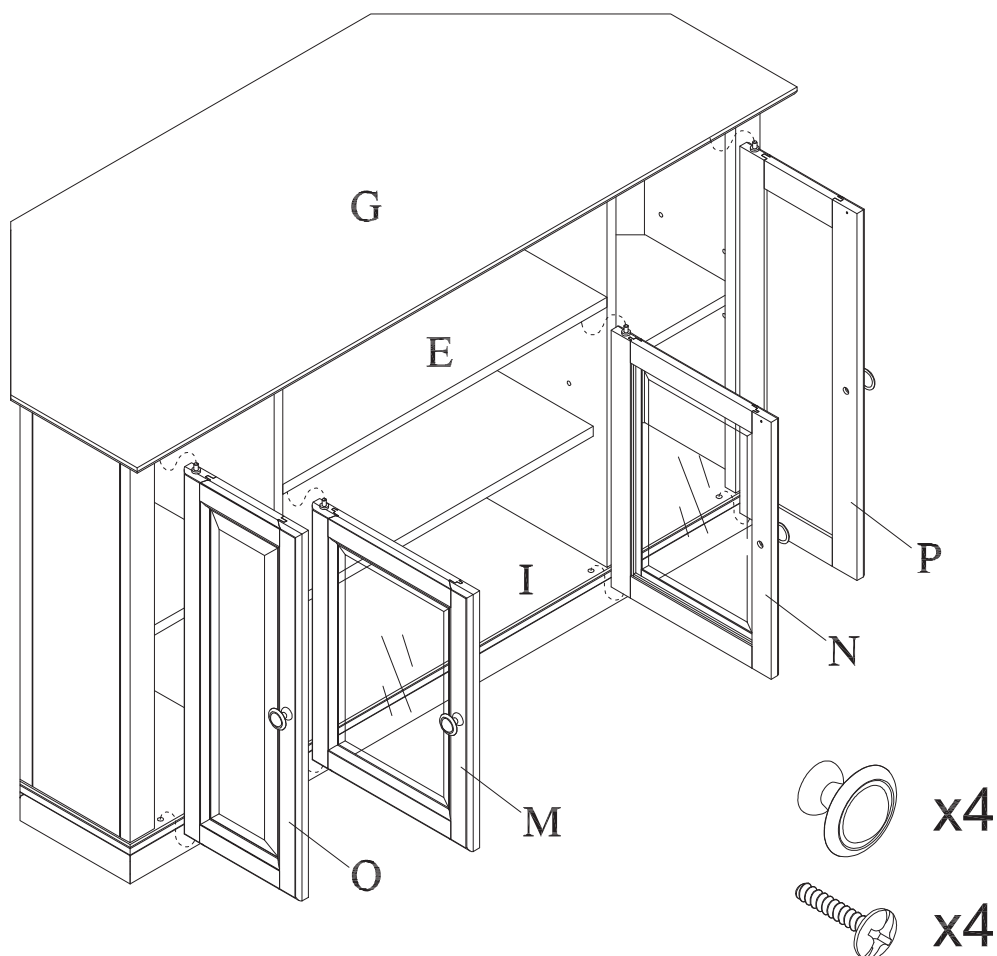
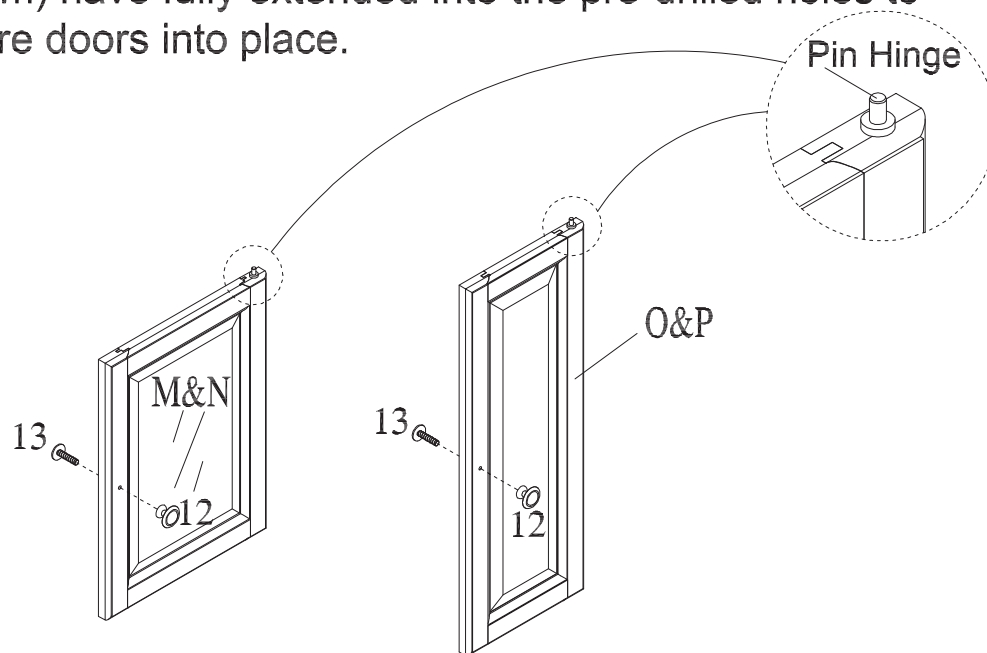
Step 9. Attach Double Door Magnet(Part#9) to shelf E and attach Single Door magnet (Part#8) to Rail F using Round head screws(Part#10) into pre-drilled holes as shown. Attach Base I to cabinet using Wood dowels and Allen bolts with Spring\Flat washers as shown. Attach legs using socket head bolts & wood dowels (as shown in instruction manual included in carton with legs).



Step 10. Carefully turn over the cabinet with the top upward. Insert the Shelf Holders (Part#11) into desired position and add shelves.

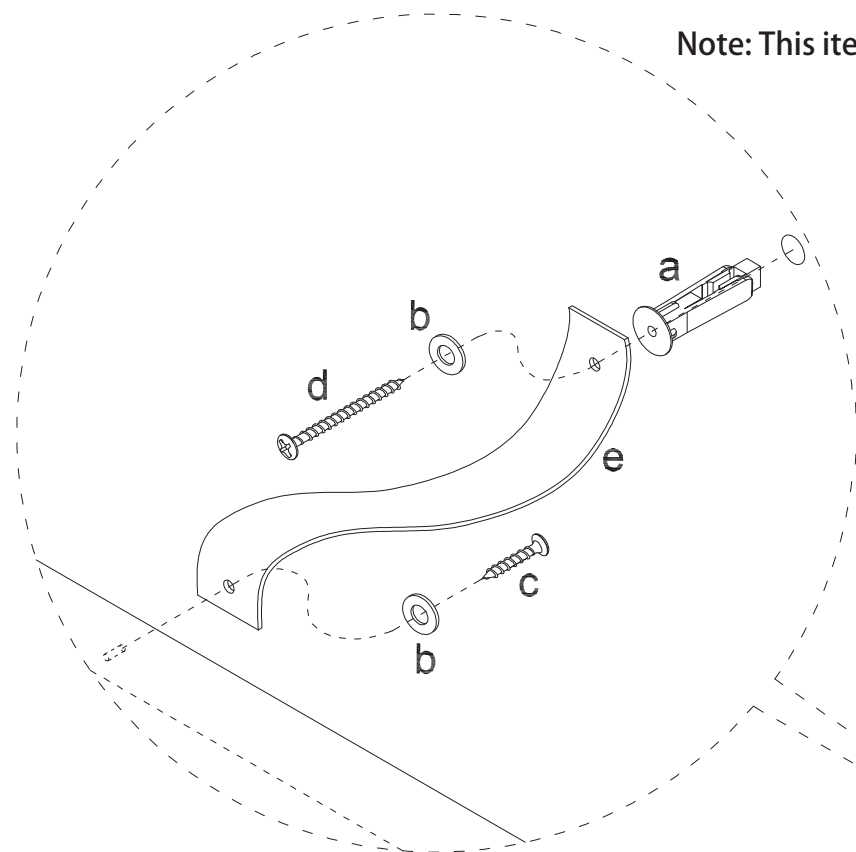


Step 11. Attach hardware knobs (Part#12) to Doors M, N ,O & P using Round Head bolts (Part#13) and a Phillips Head screw driver. Attach doors to cabinet by placing bottom Pin Hinge into pre-drilled holes at bottom & depressing top spring loaded Pin Hinge to fit door into place. Note: Be sure Pin Hinges (top & bottom) have fully extended into the pre-drilled holes to secure doors into place.



15					
SAFETY STRAP KIT	WALL ANCHOR	WASHER	SHORT SCREW	LONG SCREW	SAFETY WALL STRAP
1 PC	1 PC	2 PCS	1 PC	1 PC	1 PC

Note: This item is not intended for clothing storage use.



**⚠ WARNING**

**Children have died from furniture tipover. To reduce the risk of furniture tipover:**

- ALWAYS install tipover restraint provided.
- For use with televisions weighing 50lbs(23kg) or less. Use with heavier televisions may result in instability causing tip-over resulting in death or serious injury.
- NEVER allow children to stand, climb or hang on drawers, doors, or shelves.
- NEVER open more than one drawer at a time. Place heaviest items in the lowest drawers.

*This is a permanent label. Do not remove!*

## Step 12. MANDATORY

### Safety Wall Strap Assembly Instruction

1). Insert the short screw(c) through the washer(b) and safety strap(e) and screw it into the top panel as shown.

2). Drill a 9mm Hole at a point where you want to secure/attach your TV stand. Make sure that the height of the hole being drilled into the wall is equal to the height of the hole in the top panel of TV stand. Tap the wall anchor(a) into the hole.

3). Insert the long screw(d) through a washer(b) and the safety strap(e) into the wall anchor(a).

