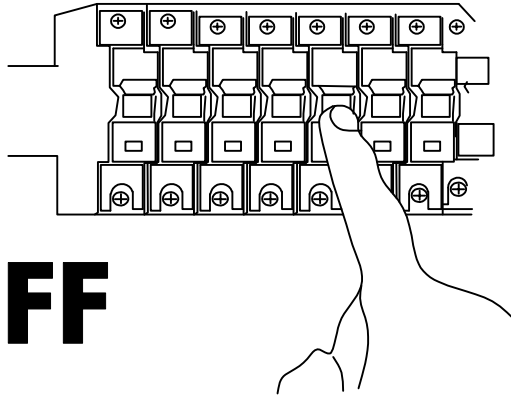


Installation

1



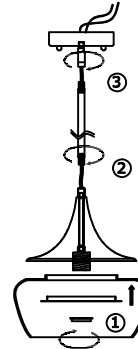
OFF

STEPS

Turn off the power

2

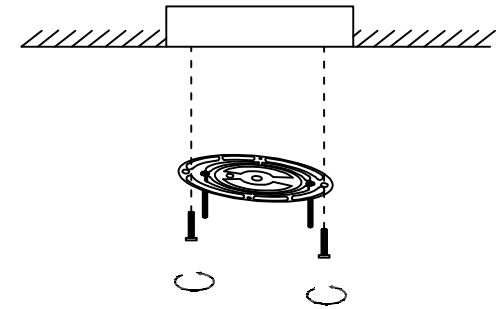
- ① Fix the glass and iron to the lamp body with the lamp head ring
- ② Rotate the boom over the lamp body
- ③ Rotate the sucker disc to the boom



STEPS

And then proceed to the next step, as shown in Figure 3

3

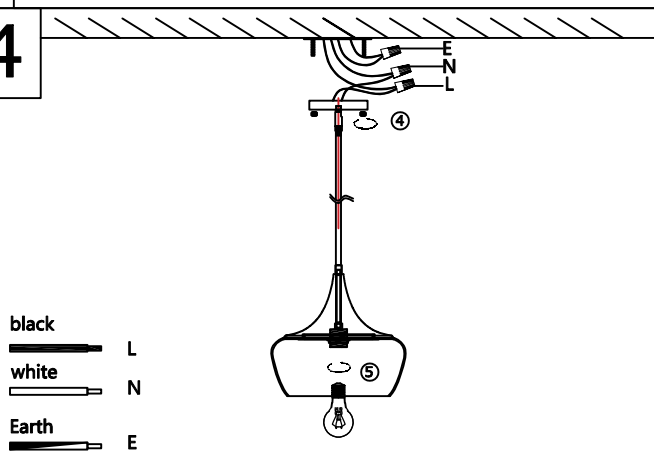


STEPS

Install the hanging board on the ceiling, and then proceed to the next step, as shown in Figure 4



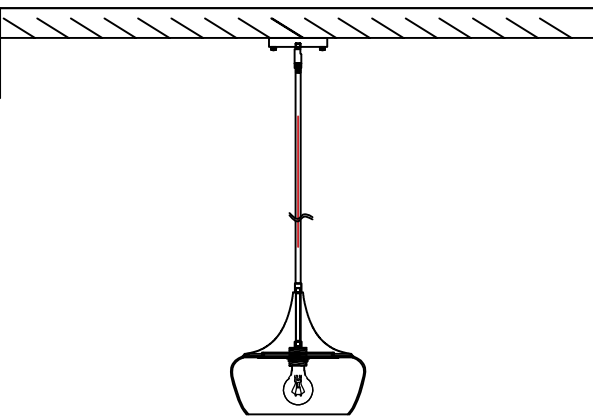
4



STEPS

1. Connect the power wire of lamp body to the reserved Power cable, pay attention to the positive and negative poles
2. Fix the lamp body on the ceiling with nuts
3. Twist the bulb over the end of the lamp

5



STEPS

The installation is complete

Caution:

Advertencia:

1.Voltage: 110V-135V

2.Bulb Model: E26 / MAX-60W

3.Before installation, please check whether the accessories are complete,if you have any problem, please contact our customer service in time

4.Before installation, please cut off the power supply to prevent electric shock.

5.Please be sure the installation according to the company's instructions.



Screw



Wire connector



Instruction