



**Φ11'**

---

PATIO UMBRELLA

Assembly and Operation Manual

***T***hank you for your purchase of  
*Eclipse Series Umbrella*



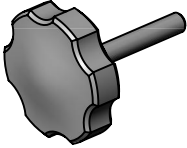

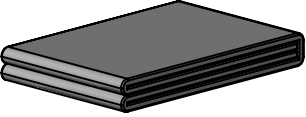

*Read and follow this assembly and operation guide.*


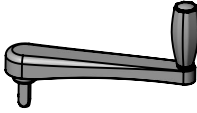
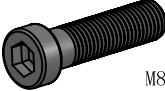
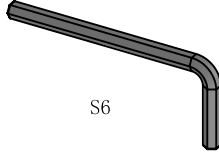
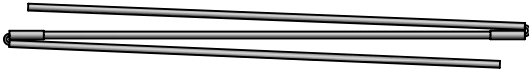

*To reduce personal injury and damage to your umbrella,  
Please **close** your umbrella when it is incoming over **30 mph** wind.  
We recommend a **two-person team** for assembly and disassembly.*

*If you like our products, please tell other customers  
If you have problem with our products, please tell us*

***Please feel free to contact us.***

*Domi Outdoor Living*  **domi**  
outdoor living

A	 <p data-bbox="387 220 763 264">Cantilevered Canopy</p>	1X
C	 <p data-bbox="465 491 663 529">Base Cover</p>	1X
E	 <p data-bbox="432 730 725 769">Connector Knob</p>	1X
G	 <p data-bbox="465 959 674 997">Flat Washer</p>	4X
J	 <p data-bbox="427 1251 725 1289">Protection Cover</p>	1X
L	 <p data-bbox="461 1497 663 1535">Solar Panel</p>	1X

B	 <p data-bbox="1592 197 1778 236">Base Tube</p>	1X
D	 <p data-bbox="1554 485 1807 523">Crank Handle</p>	1X
F	 <p data-bbox="1733 651 1794 671">M8*30</p> <p data-bbox="1541 730 1816 769">M8*30mm Bolt</p>	4X
H	 <p data-bbox="1637 922 1666 943">S6</p> <p data-bbox="1570 1002 1809 1040">Allen Wrench</p>	1X
K	 <p data-bbox="1447 1251 1912 1289">Collapsible Fiberglass Pole</p>	1X
M	 <p data-bbox="1615 1501 1742 1540">Battery</p>	1X

# Important

**Prior to assembly, it is important to choose the location of the umbrella.**

- We recommend a **two-person team** for assembly and disassembly.
- Allow **ample height** to avoid damage to your umbrella during assembly and usage.
- Choose a location that is **level and sturdy**.
- Consider a location that will maximize the umbrella's rotating swivel function. Placing the umbrella **between two entertaining areas is ideal**.
- To avoid personal injury or damage to the umbrella, make sure the **area** around you is **clear** from any outdoor structure or furniture.
- **Keep all the flame and heat sources away** from this umbrella.

**STORAGE:** Properly store the umbrella when not in use. Close the umbrella, fasten the strap around the canopy and cover the umbrella with a protective cover.

**NOTE:** DO NOT discard any packaging or box until assembly is complete.

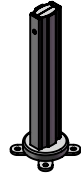
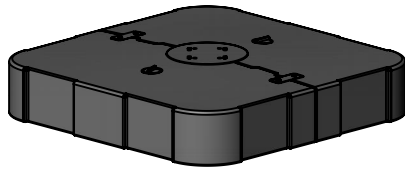
## **CAUTION:**

Moving the umbrella when it is fully open will increase the risk of damage to your umbrella or will cause serious injury.

## **ATTENTION:**

Please remove the protective film prior to use

# Base Tube Assembly



B 1X



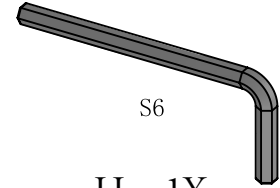
F 4X



G 4X

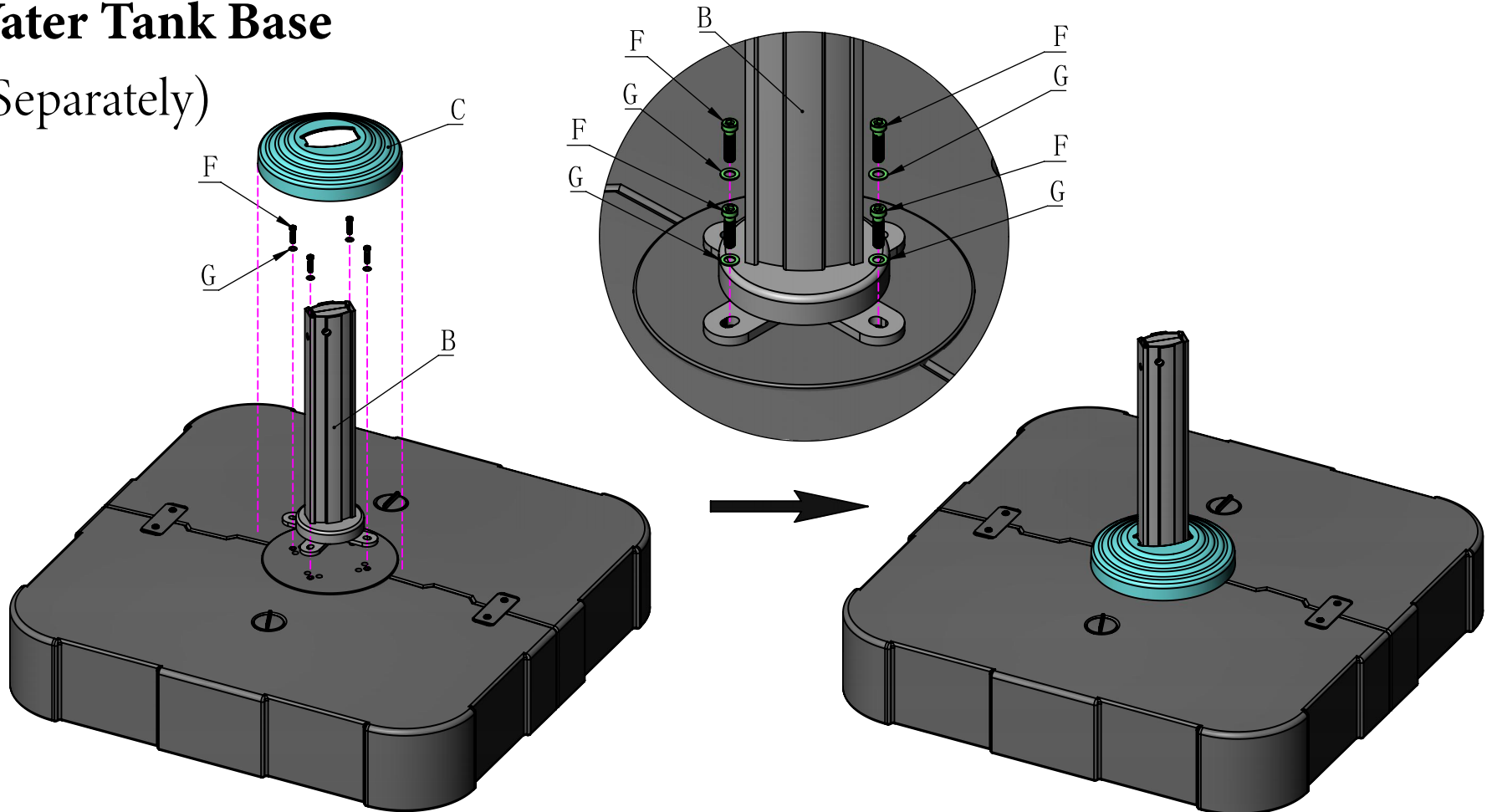


C 1X

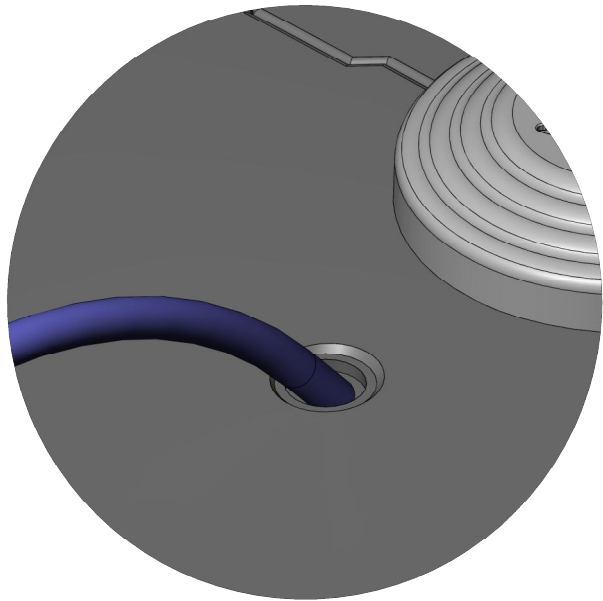


H 1X

## Option 1: Water Tank Base (Sold Separately)

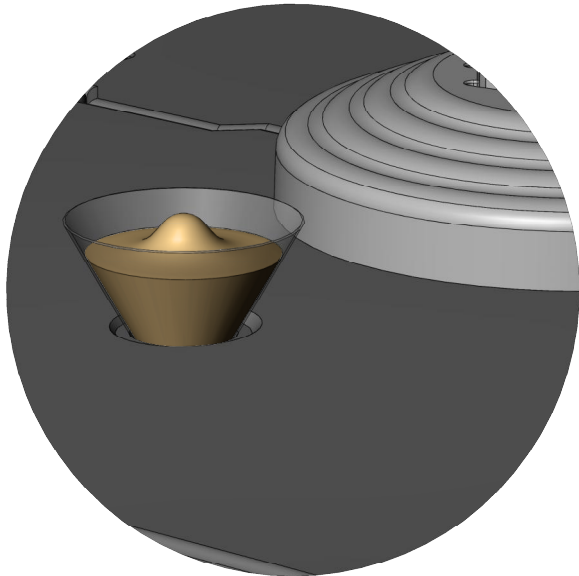


# Base Tube Assembly



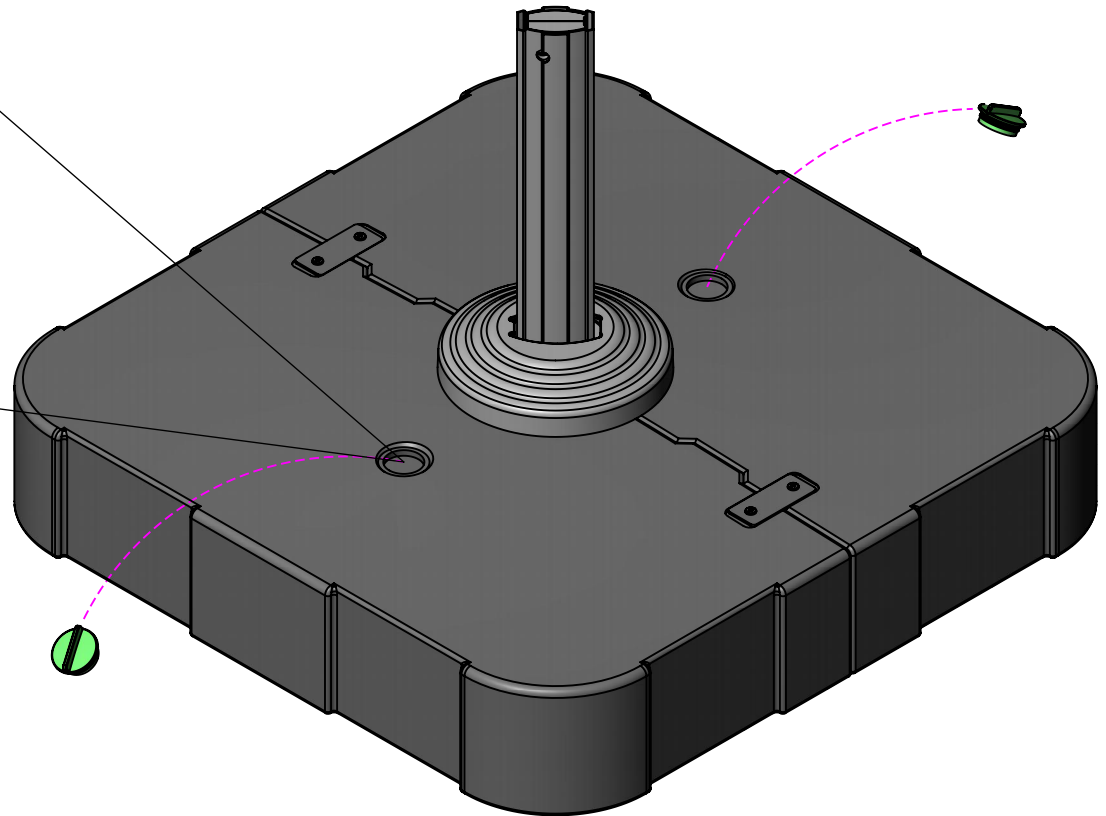
Water

Or

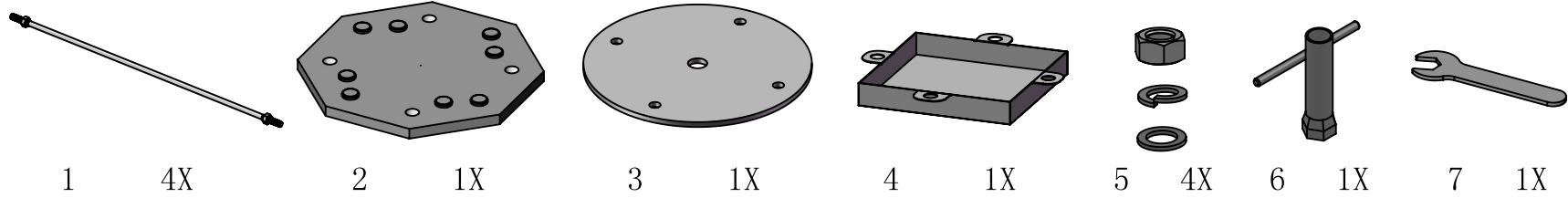


Sand

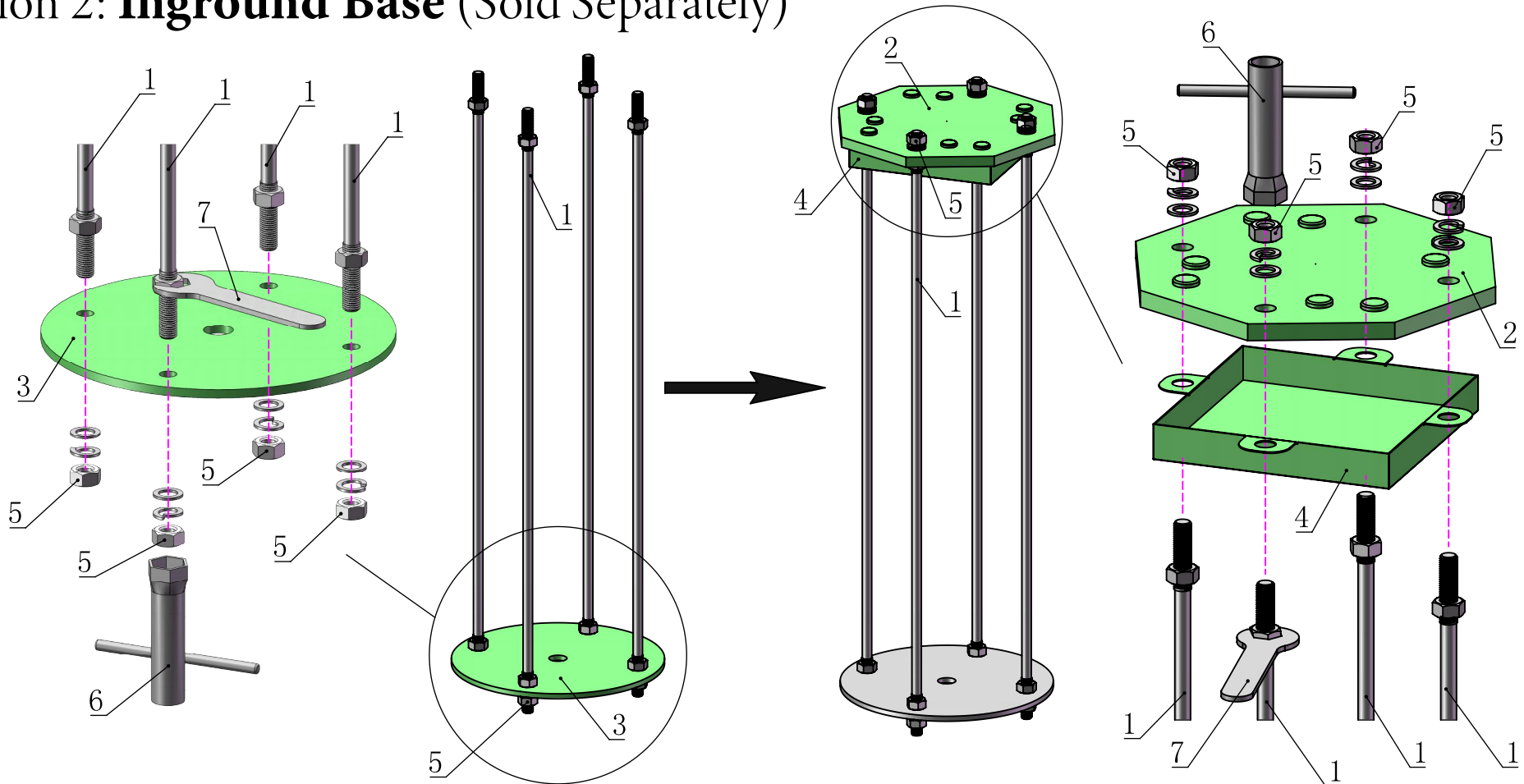
**Water and sand can both be injected**



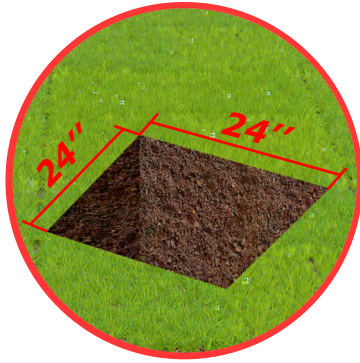
# Base Tube Assembly



## Option 2: Inground Base (Sold Separately)

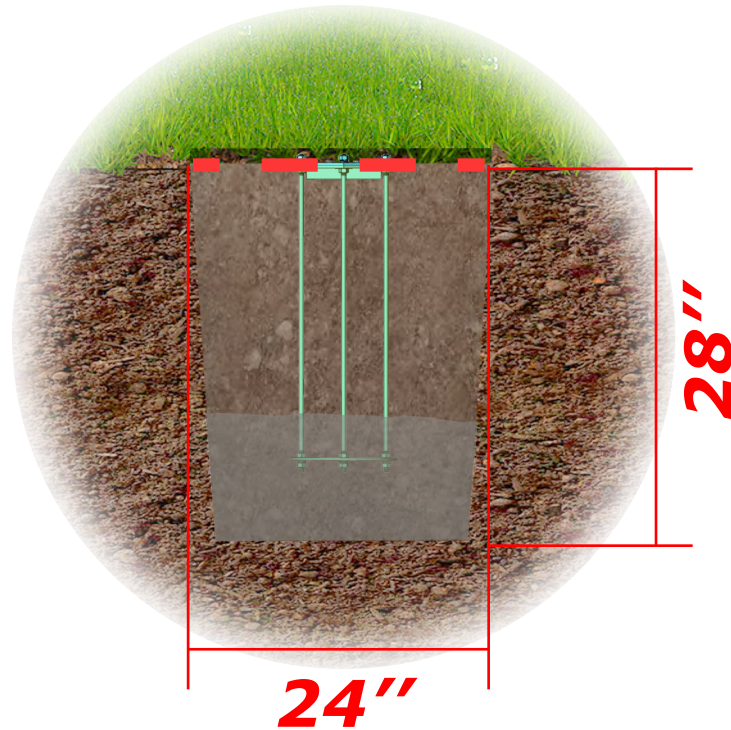


# Base Tube Assembly



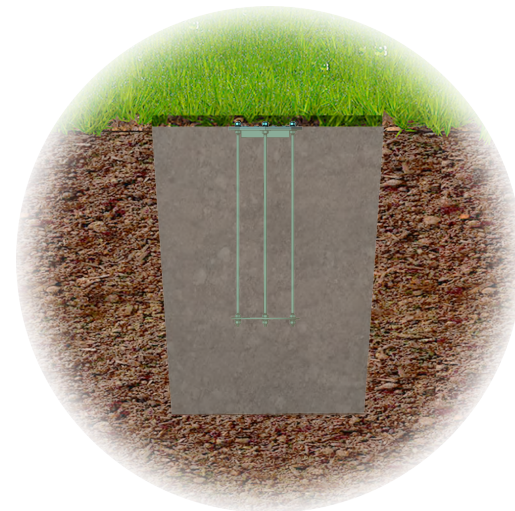
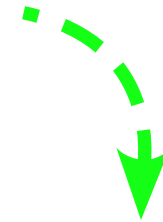
## Step 1:

Dig a hole (24" x 24" x H 28").



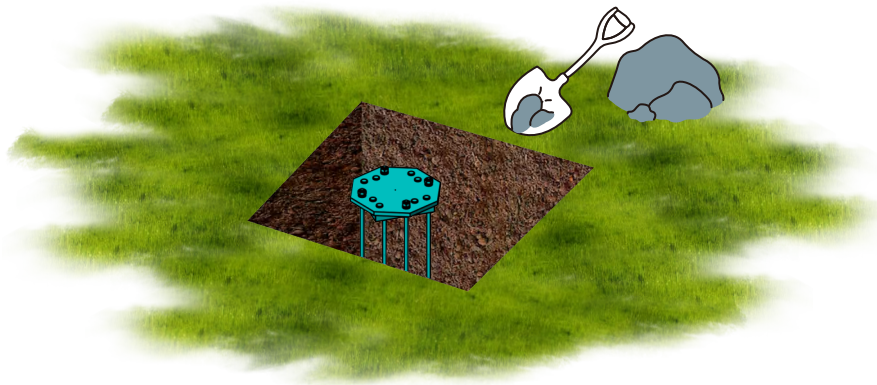
## Step 2:

Fill with 1/3 cement and gently put the inground base down to make sure it's horizontal to the ground.



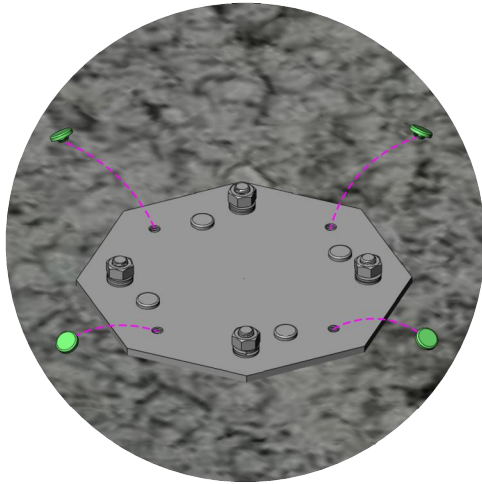
## Step 3:

Fill up with 100% cement.

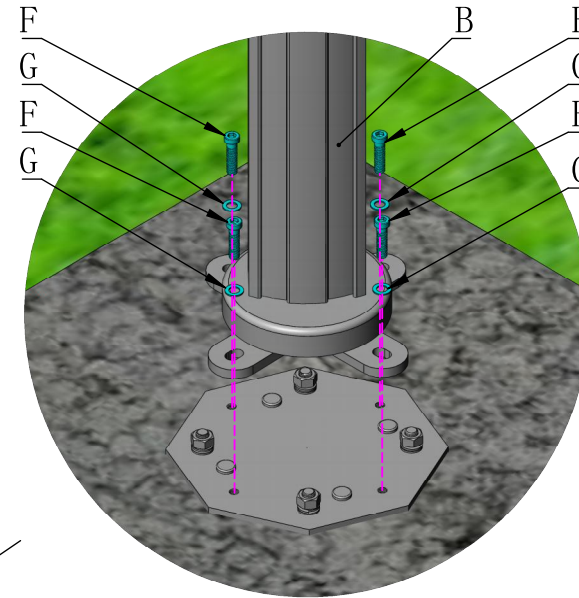


**wait for the solidification of the cement to process the following assembly**

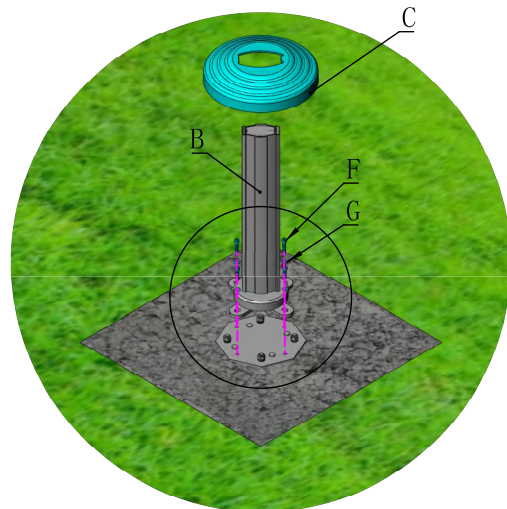
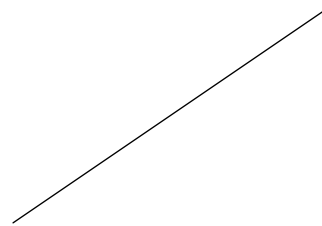
# Base Tube Assembly



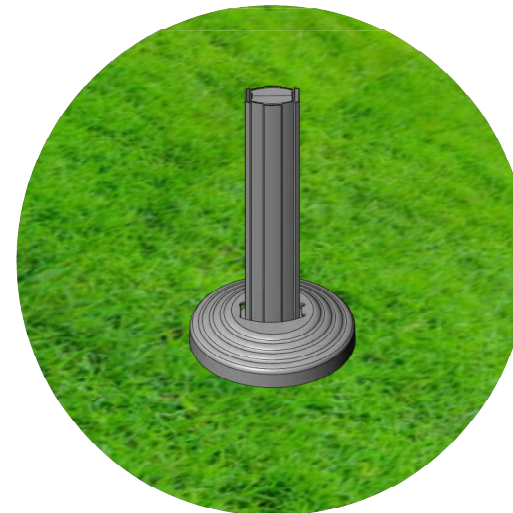
**Step 1:**  
Remove the 4 plastic caps.



**Step 2:**  
Install the base tube.



**Step 3:**  
Put on the base cover.



# Solar panel Assembly

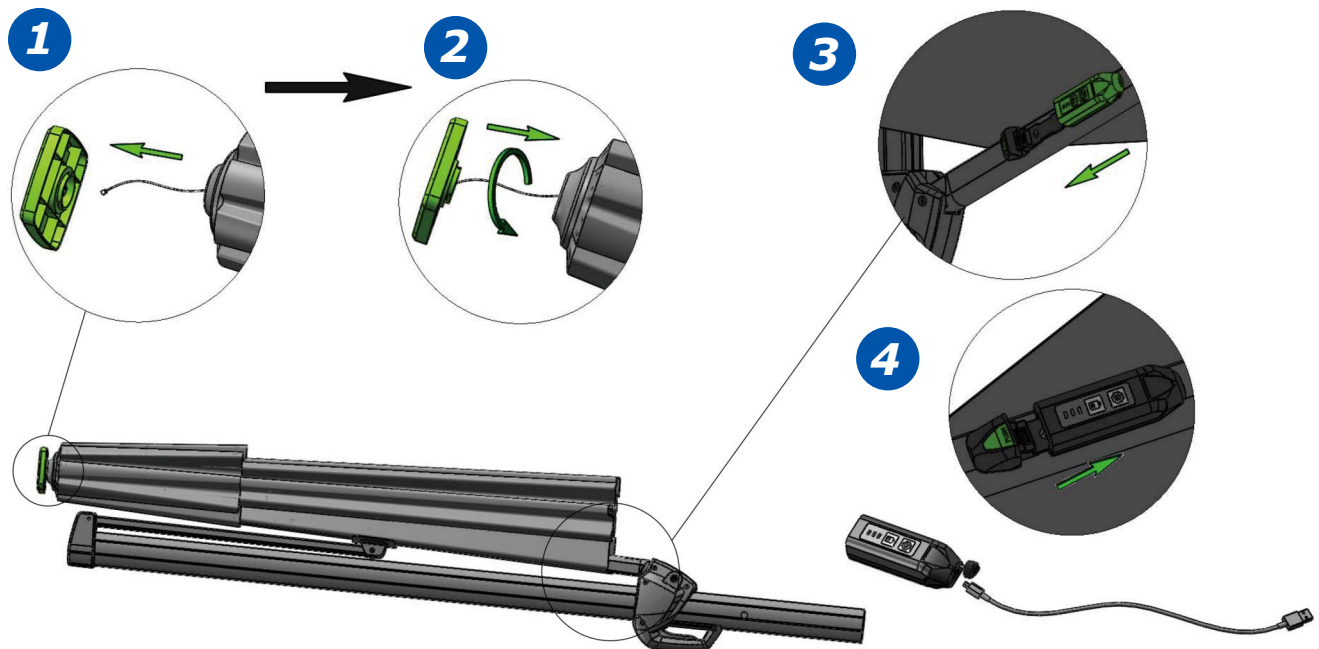
1. Insert the plug into the socket under the solar panel as shown below.
2. Put the solar panel on the top of umbrella and hide the plug and wire inside the groove at the top of umbrella. Then turn the solar panel clockwise. **Do not over tighten.**
3. Put the solar umbrella in the sunlight to charge the battery for 8 hours before the first use.
4. You can get the battery out of the holder (hold the PUSH button) , then charge it with USB wire.



L 1X

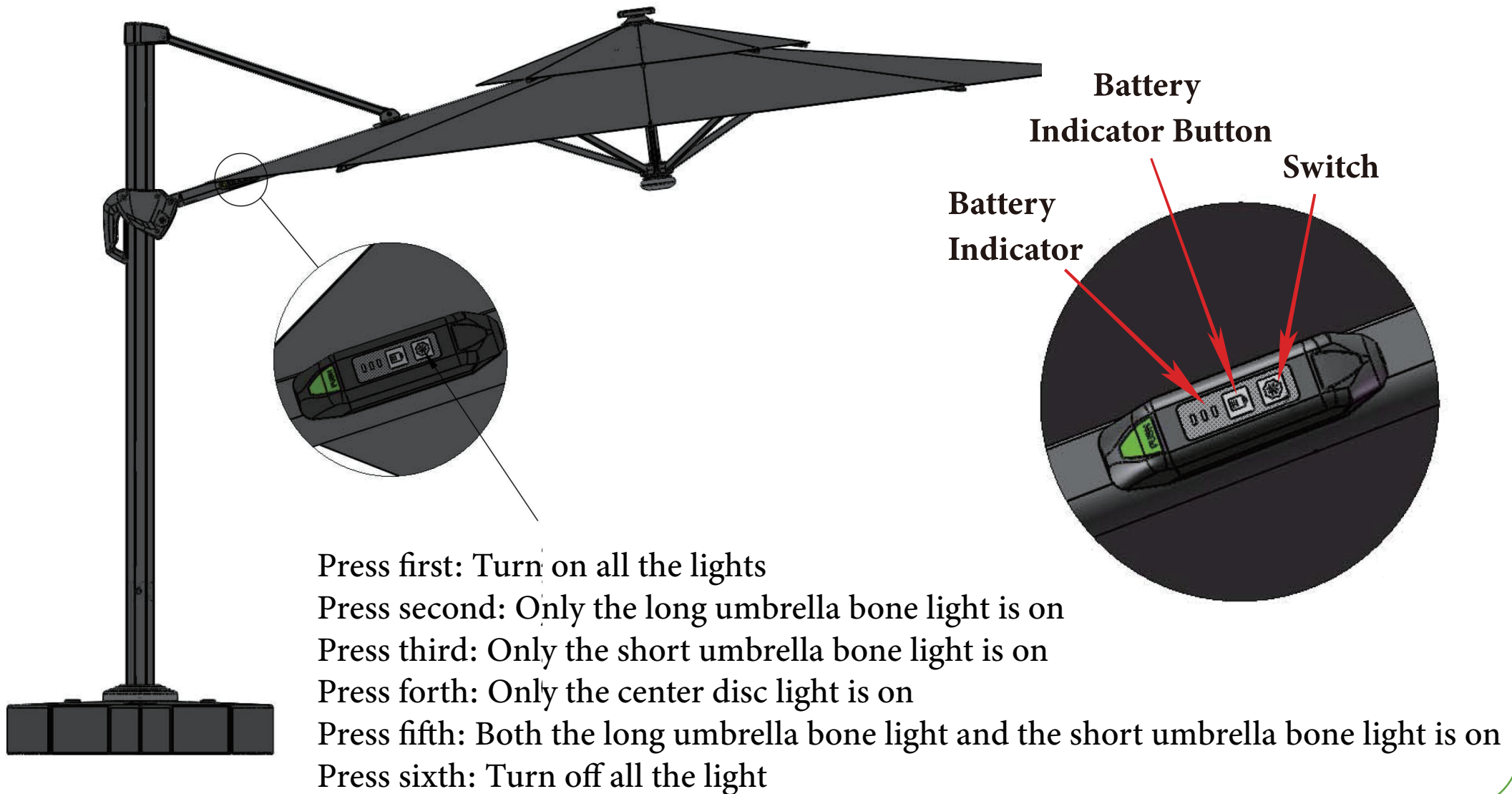


M 1X



# Operation

Use the switch to turn on/off the LED light:



# Notification

## CAUTION:

**YOU MUST CHARGE BATTERY BEFORE FIRST USE.**

- Please note that battery can discharge if they are left unused or uncharged for a long period of time.
- Since there can be a six-month period between production and final customer purchase, we recommend you **charge your solar umbrella** for at least 8 hours in direct sunlight before the first use.
- Failure to charge the battery will result in premature dimming of the lights in your new solar umbrella.
- Make sure the **light switch is in the off position** when charging the solar panel. For everyday normal use, turn the light switch on at night when you want to use the solar light and turn off the switch after use.

**MAKE SURE THE LIGHT SWITCH IS IN THE OFF POSITION IN THE DAYTIME FOR THE SOLAR PANEL TO RECHARGE THE BATTERY.**

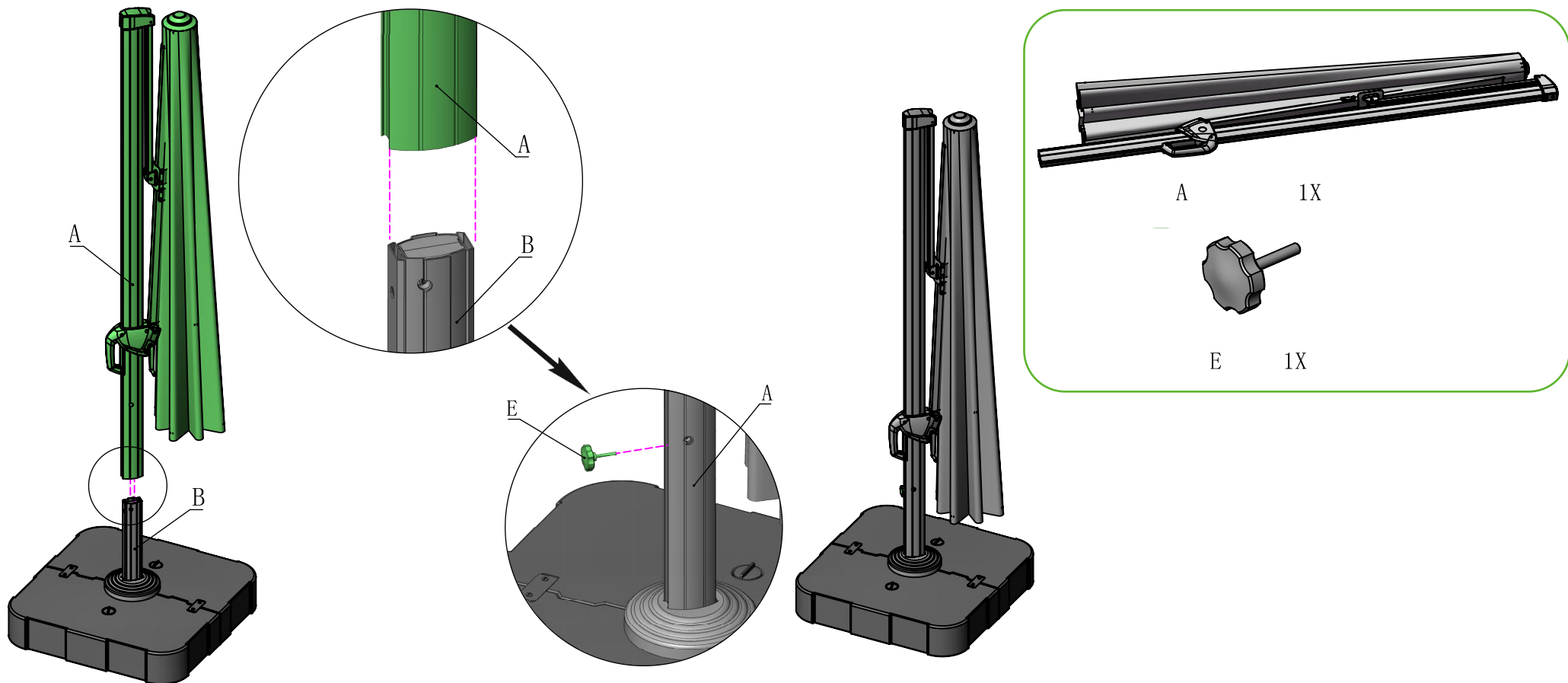
# Umbrella Assembly

**Two-persons** recommended for team lift and to complete assembly.

Insert the **main pole** onto the **base tube #B** with the **base cover #C** in place.

Insert the **connector knob #E** to the matched up hole.

**Please remove all of foam material from the frame before opening umbrella.**



# Operation

**CAUTION:** Stop turning the crank handle as soon as the umbrella cover is completely open and the sleeve on the umbrella pole has reached its maximum height.

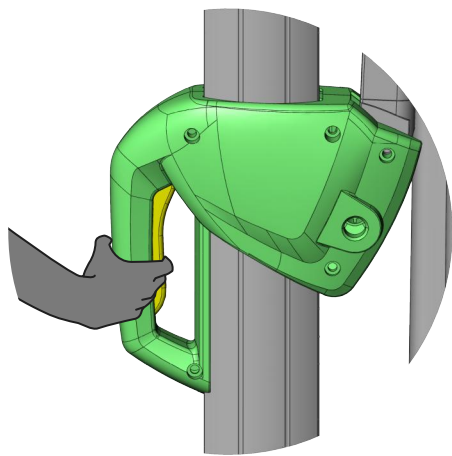
**IMPORTANT:** PRIOR TO USING THE TILT FUNCTION.

To avoid personal injury or damage to the umbrella, make sure the area behind you is clear and free from any furniture or structure.

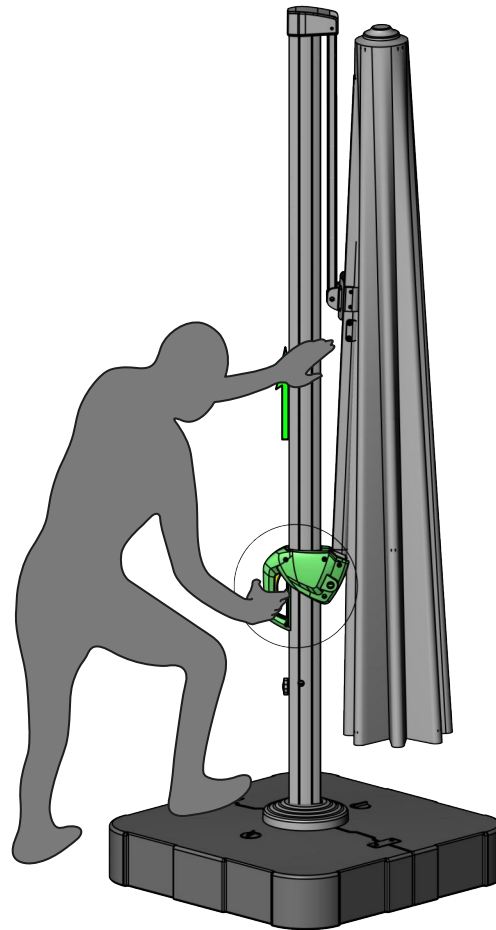
# Operation

Slide the umbrella handle to the top of the pole by squeezing the trigger.

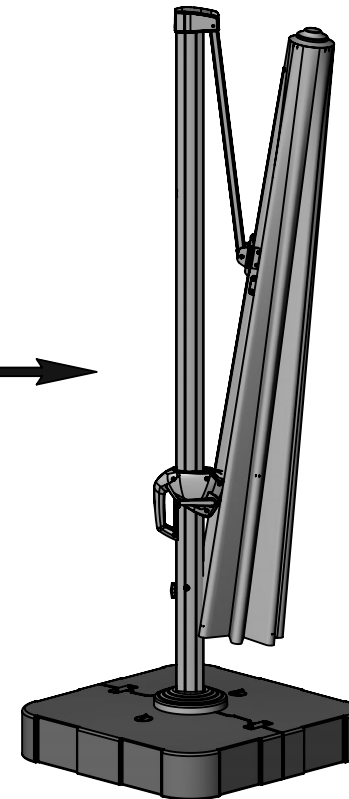
 :Open the canopy a little and stop.



squeeze  
the  
Trigger

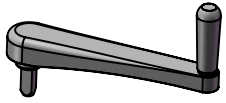


Be sure to remove all the  
protective material inside

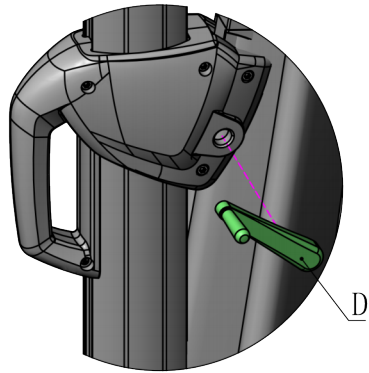


**Note:** Be mindful of the packaging in the umbrella canopy. It Must be removed before opening.

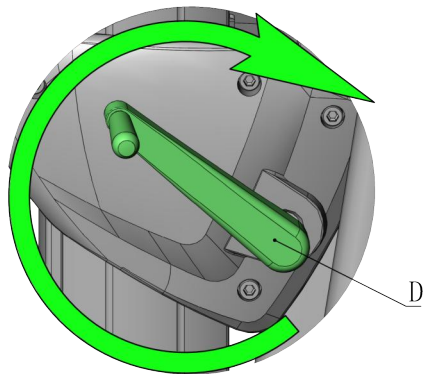
# Operation



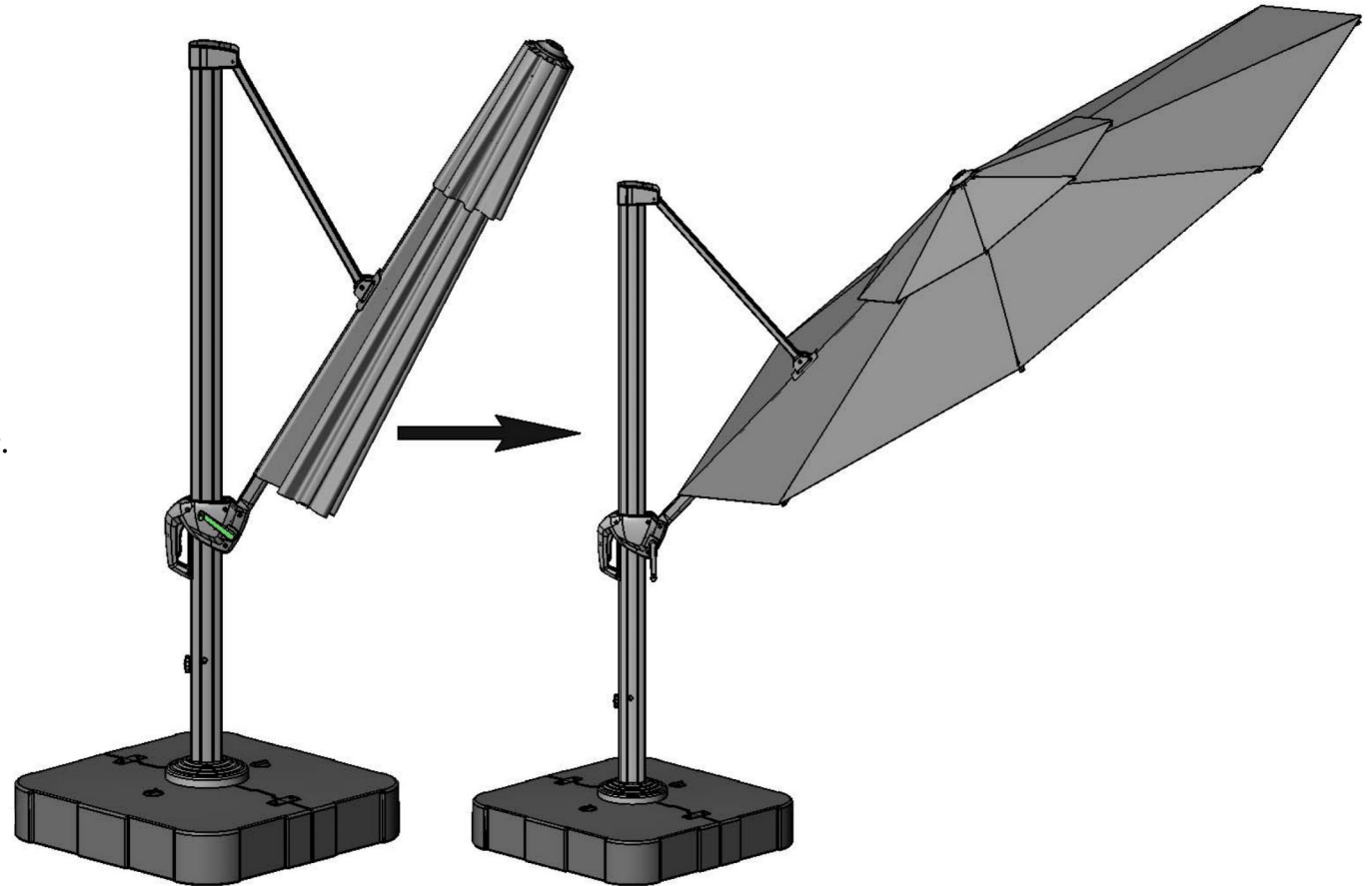
D 1X



**Step 1:**  
Insert the crank handle #D  
into the small hole of the handle.



**Step 2:**  
Rotate the crank clockwise



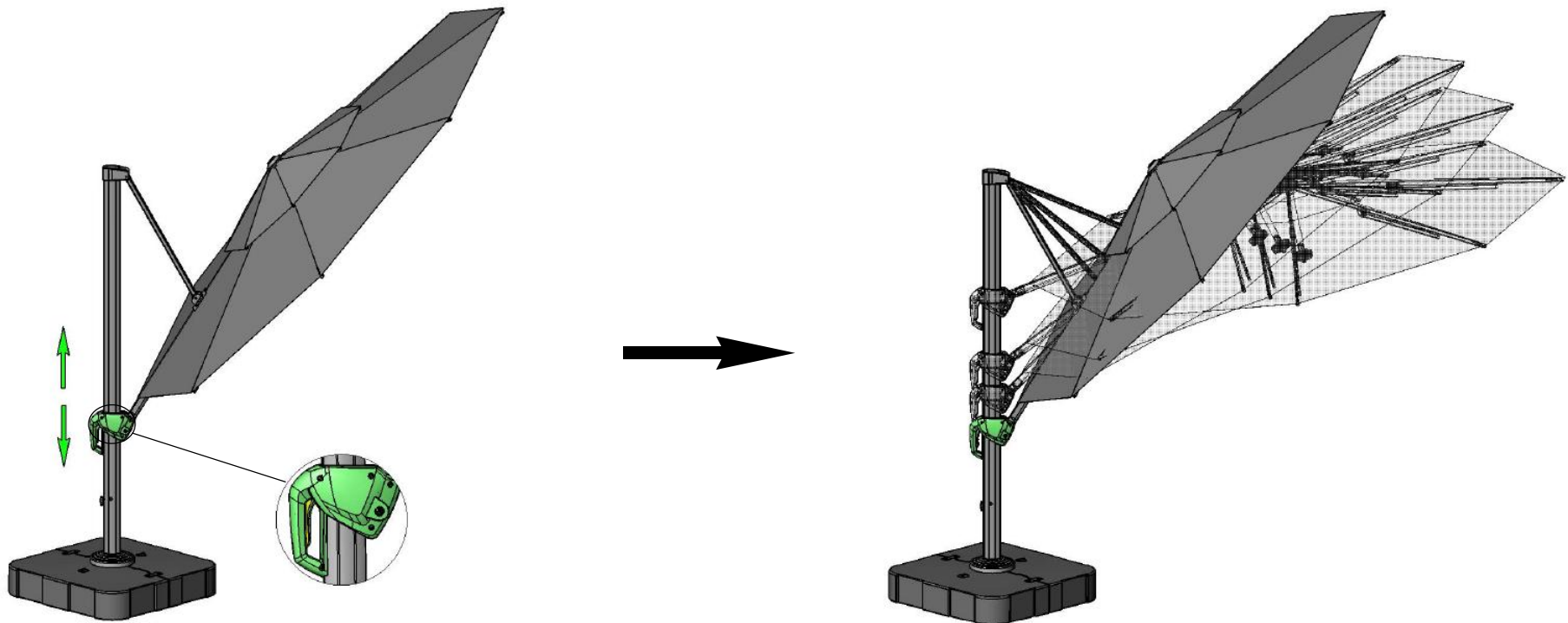
# Operation

## To Tilt Canopy

Press on the handle trigger and move the handle up and down to adjust the angle of the umbrella canopy.

**IMPORTANT: PRIOR TO USING THE TILT FUNCTION.**

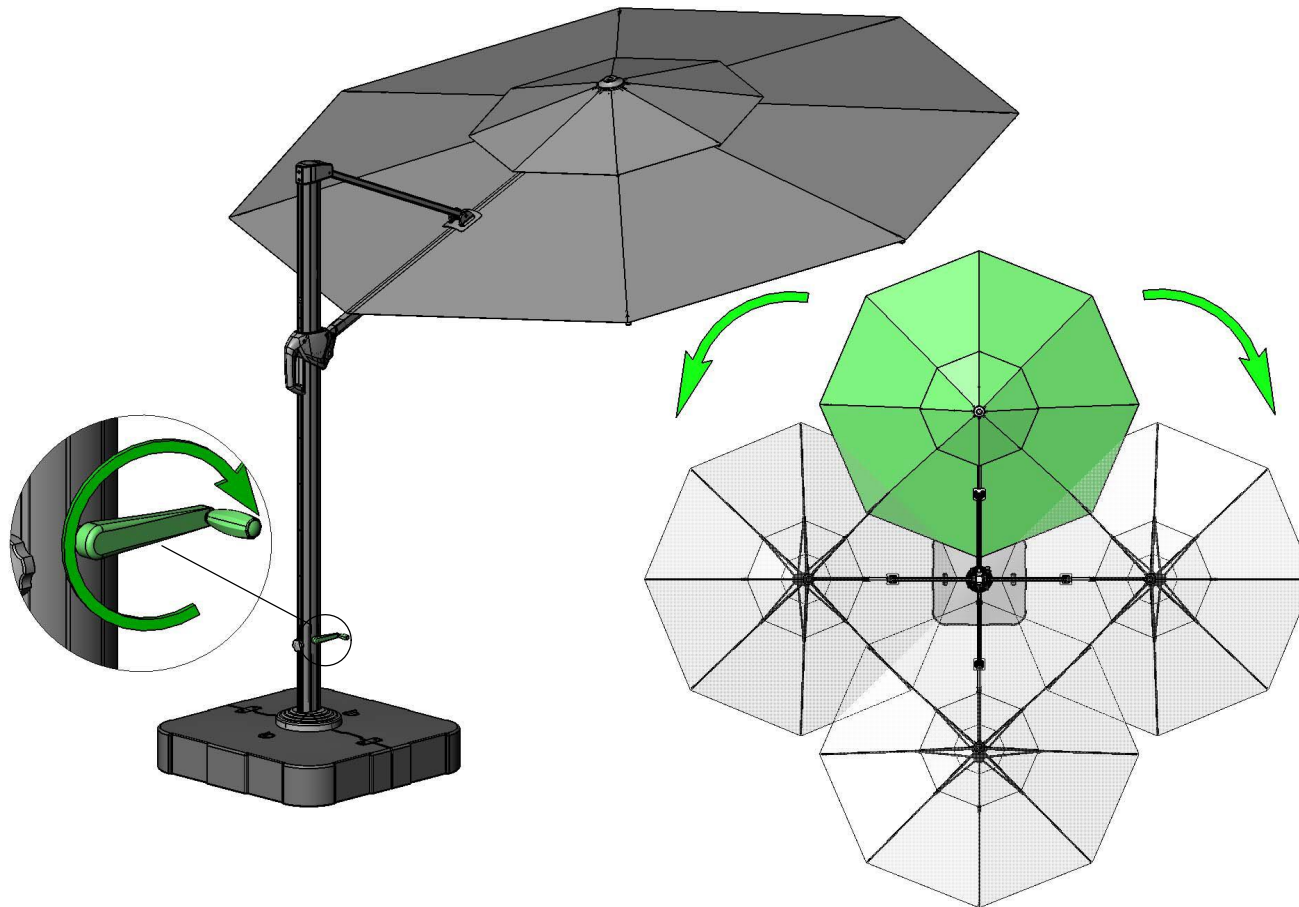
To avoid personal injury or damage to the umbrella, make sure the area behind you is clear and free from any furniture or structure.



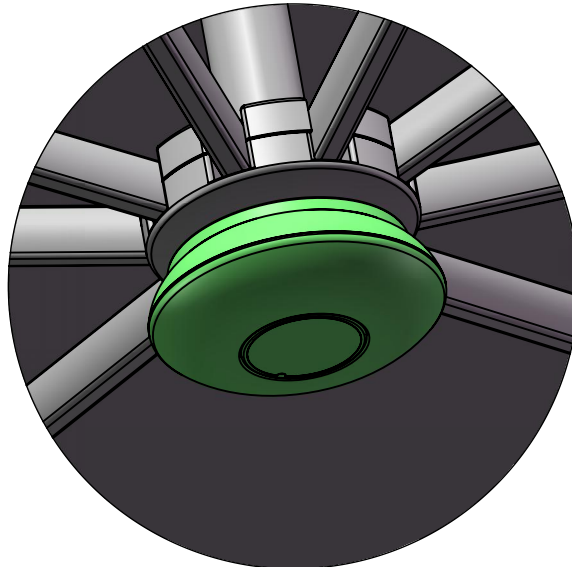
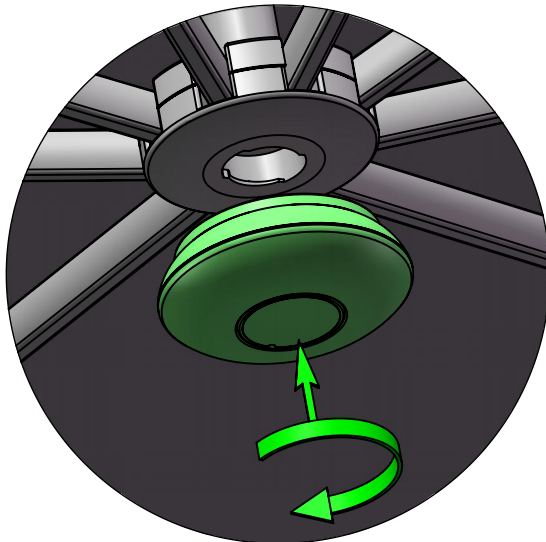
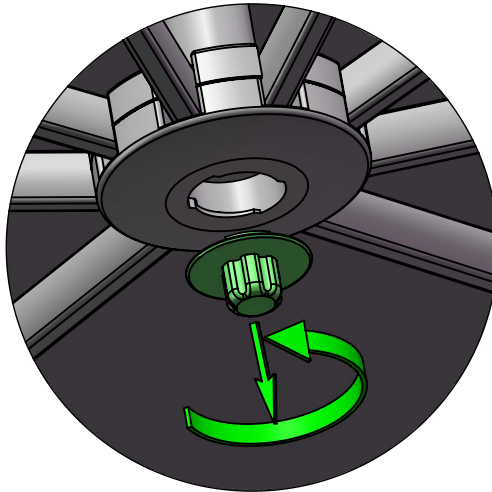
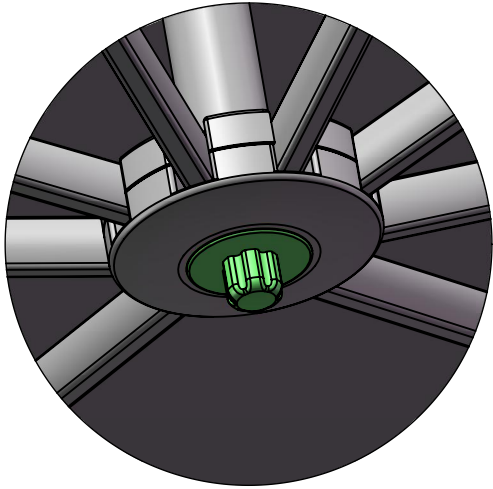
# Operation

## To Operate The 360° Rotation

Insert the crank handle #D into the hole near the bottom of the umbrella, turn the crank to rotate it.



# Operation



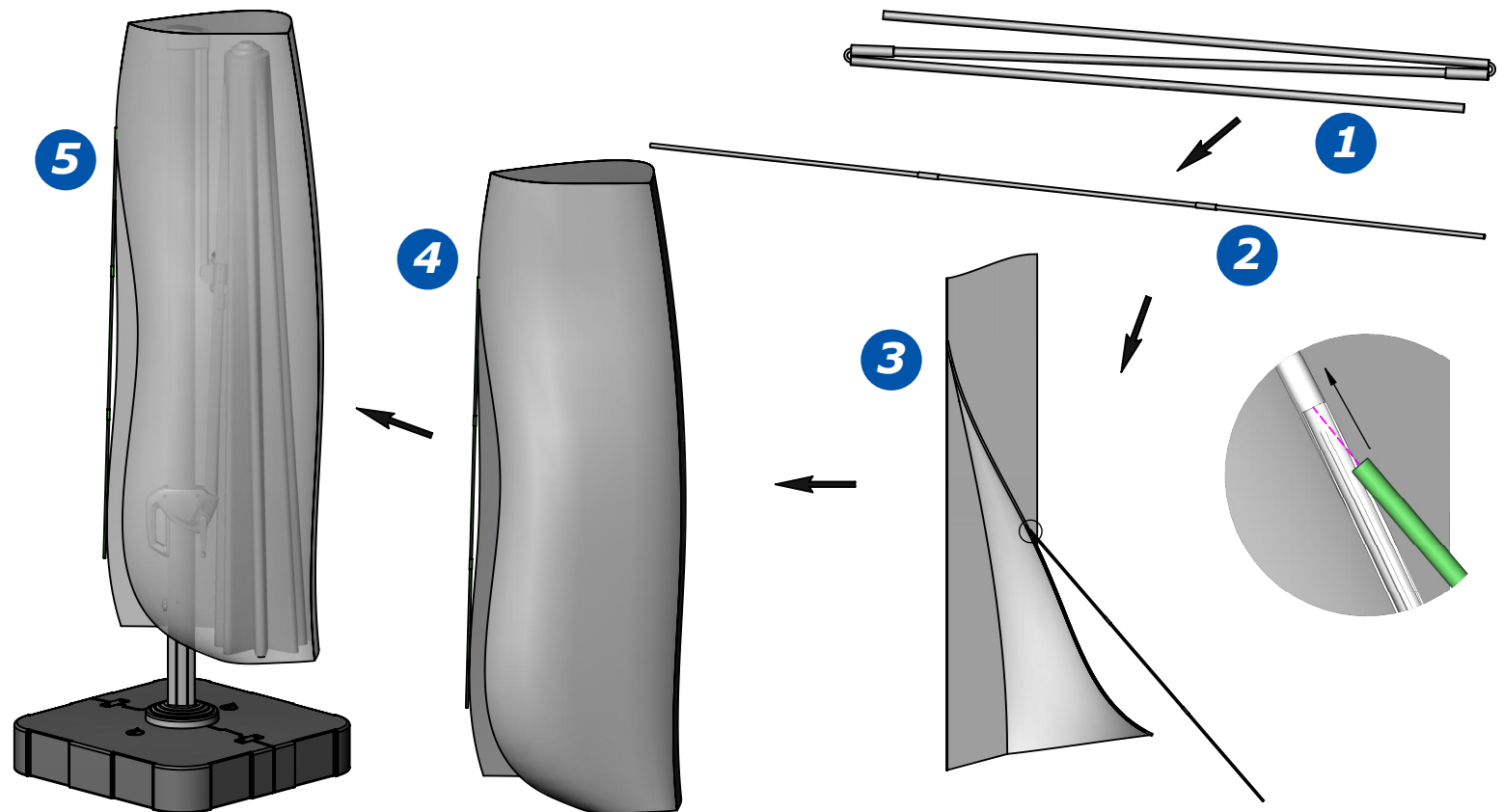
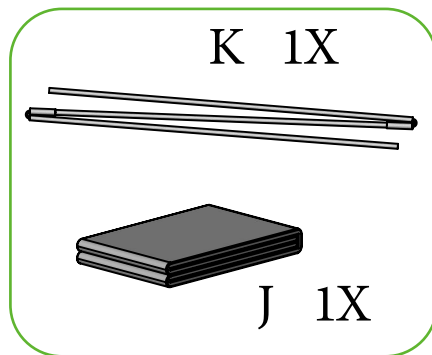
To install Umbrella Light  
(Sold Separately)



# Operation

## To Protect The Umbrella

1. Umbrella cover should only be used when umbrella fabric is completely dry.
2. Umbrella should be closed or stored indoors during windy conditions.
3. Do not use during windy or severe weather conditions.



# Notification

## WARRANTY

- This warranty is extended to the original purchaser and applies to defects in materials and workmanship of your patio furniture provided your furniture is maintained with care and used only for personal, residential purposes.
- The frame is warranted to be free from defects in material or workmanship for one (1) year.
- Fabric is warranted for a period of three(3)years. Fading or discoloration resulting from exposure to the elements, chemicals, or from spills is not covered.

# Notification

## **SAFETY PRECAUTIONS**

Close the umbrella in windy conditions or when a storm approaches.

Never allow the umbrella to flap in the wind. This could damage the canopy.

Properly store umbrella when not in use. Close umbrella, and cover umbrella with a protective cover.

Do not leave an open umbrella unattended. If damage occurs, this is not covered by the warranty.

When adjusting the umbrella, make sure that no person(s) or item(s) is close to the umbrella. This is important to prevent injury or material damage.

# Notification

## **SAFETY PRECAUTIONS**

When not in use, close and cover umbrella with a protective cover.

If necessary, clean the fabric with lukewarm water.

Allow a wet canopy to dry slightly opened, but do not leave unattended.

Wipe sliding marks on the aluminum poles with a damp cloth.

Winter Storage: Store in A Dry Place.