



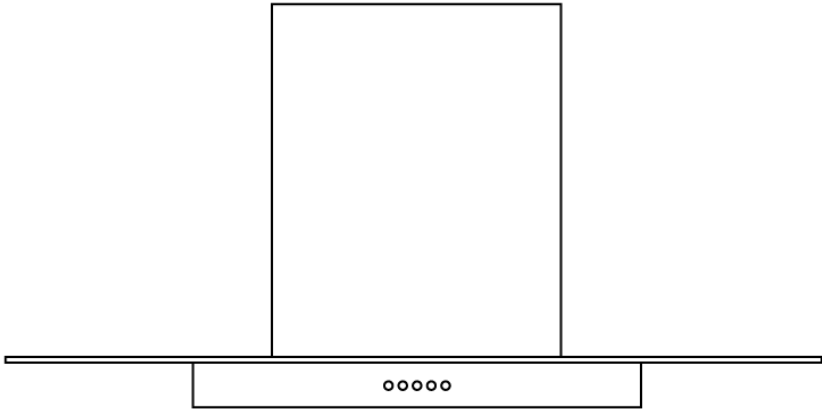
Russell Hobbs

gt series

Operating Manual

RHFGCH601 SS/B
RHFGCH901 SS/B

COOKER HOOD



GUARANTEE

At Russell Hobbs, we take all our customer feedback seriously.

Feel free to contact our Customer Services Team who will be more than happy to assist you.

This product is guaranteed for 12 months from the date of the original purchase. If any defect arises due to faulty materials or workmanship, the faulty product must be returned to the place of purchase.

Refund or replacement is at the discretion of the retailer.

The following conditions apply:

- The product must be returned to the retailer with the original proof of purchase.
- The product must be installed and used in accordance with the instructions contained in this instruction guide and any other instructions for use which are supplied.
- It must be used for domestic purposes only and for its intended use.
- This guarantee does not cover wear and tear, damage, misuse or consumable parts.
- This does not affect your statutory rights.

Region	Contact	Website
UK & Northern Ireland	0345 209 7461	mda.russellhobbs.com
Ireland	1 800 938982	ie.mda.russellhobbs.com
Rest of Europe	europe@productcaregroup.com	de.mda.russellhobbs.com fr.mda.russellhobbs.com es.mda.russellhobbs.com it.mda.russellhobbs.com nl.mda.russellhobbs.com

Note your serial number below for future reference



Image for illustration purposes only

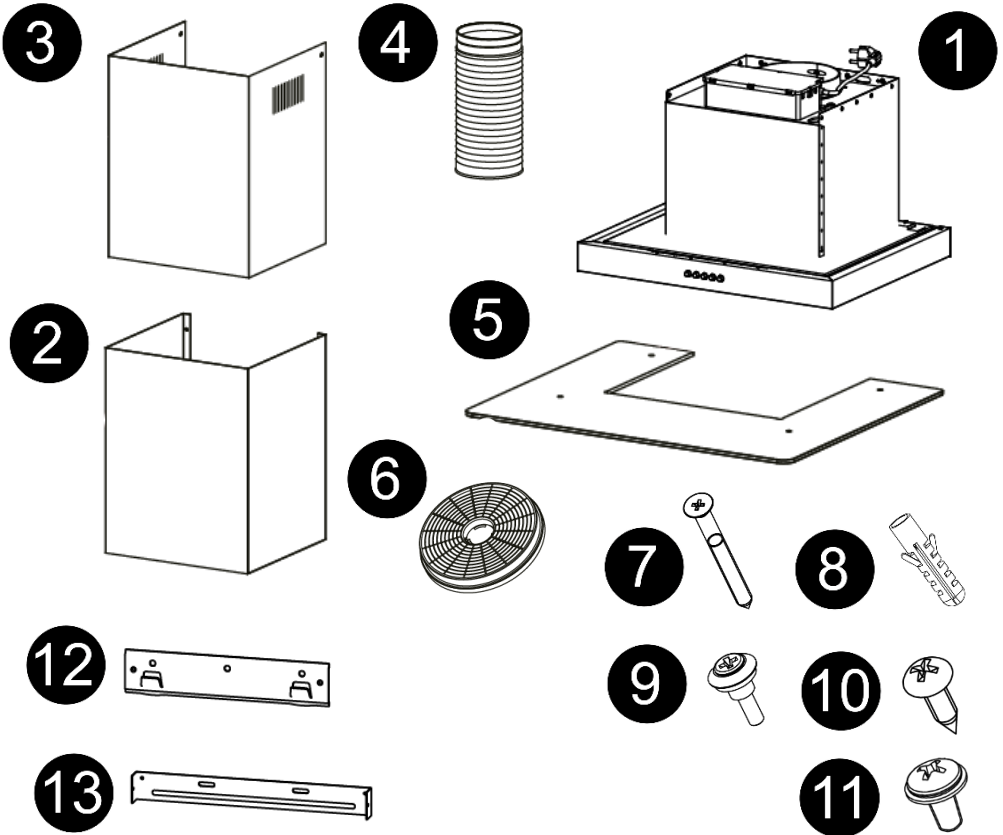
IMPORTANT SAFETY INSTRUCTIONS

- It is hazardous for anyone other than a competent person to carry out any service or repair operation that involves the removal of a cover which gives protection against exposure to electrical parts.
- If the supply cord is damaged, it must be replaced by the manufacturer, its service agent or similarly qualified persons in order to avoid a hazard. DO NOT use with damaged cord or plug.
- DO NOT use with an extension cable.
- This product is intended for household use only. DO NOT use outdoors.
- This appliance can be used by children aged from 8 years and above and persons with reduced physical, sensory or mental capabilities or lack of experience and knowledge if they have been given supervision or instruction concerning use of the appliance in a safe way and understand the hazards involved. Children should not play with the appliance. Cleaning and user maintenance should not be made by children without supervision.
- DO NOT install in an area or on any surface that would prevent adequate ventilation of the appliance.
- Use only parts and accessories supplied with the appliance, or sourced directly from the manufacturer.
- Do not open the mesh filter during operation.
- Do not use the appliance without the filters in place.
- Keep the appliance and plug away from water; do not allow it to get wet.

IMPORTANT SAFETY INSTRUCTIONS

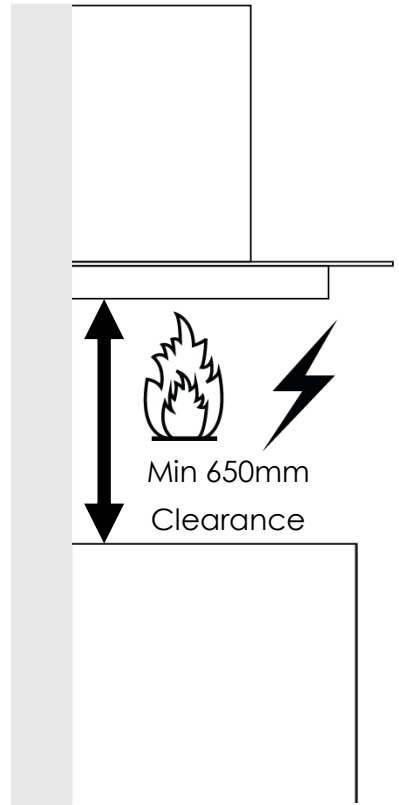
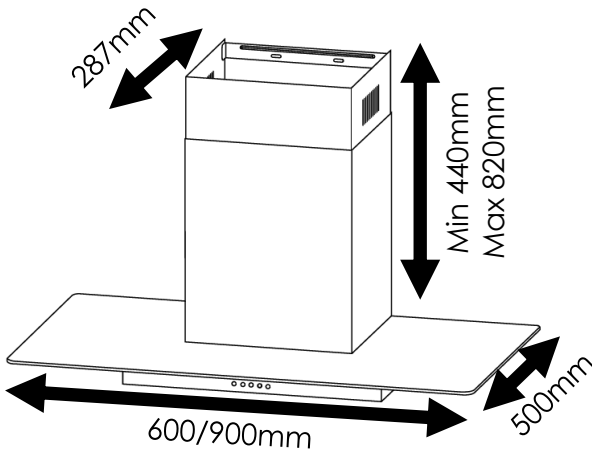
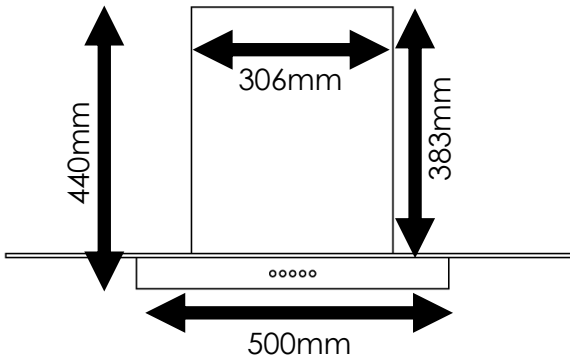
- **DO NOT** use appliance if it has been dropped, damaged, left outdoors or dropped into water. Do not operate this appliance for anything other than its intended use.
- If unit is wet, do not plug unit into wall socket or turn unit on. Do not immerse in water or other liquids for cleaning. **DO NOT** handle the appliance with wet hands.
- **DO NOT** pull by the cord, close door on cord, pull cord around sharp corners or edges, or expose cord to heated surfaces.
- The use of accessory attachments not recommended by the manufacturer may cause fire, electric shock or injury. Only use the accessories supplied by the manufacturer.
- Only use the appliance when fully assembled.
- Never place your fingers or other objects into any part of the appliance. Be aware that loose clothing or hair may become trapped if improperly used.
- **ALWAYS** ensure correct wall fittings are used.

PARTS LIST



- | | | | |
|----|------------------------------|-----|---|
| 1) | Cooker Hood Main Unit | 8) | Wall Plugs* 10x43 (7 pieces) |
| 2) | Lower Chimney Cover | 9) | Screws M4x20 (4 Pieces) |
| 3) | Upper Chimney Cover | 10) | Screws ST4.2x9.5 (6 Pieces) |
| 4) | Exhaust Pipe | 11) | Screws M4x8-F-H (10 Pieces) <i>[not used with this model]</i> |
| 5) | Glass Cover | 12) | Hood fixing bracket |
| 6) | Charcoal Filters (Pack of 2) | 13) | Chimney Fixing Bracket (2 Pieces) |
| 7) | Screws 5x50 (7 pieces) | | |

DIMENSIONS

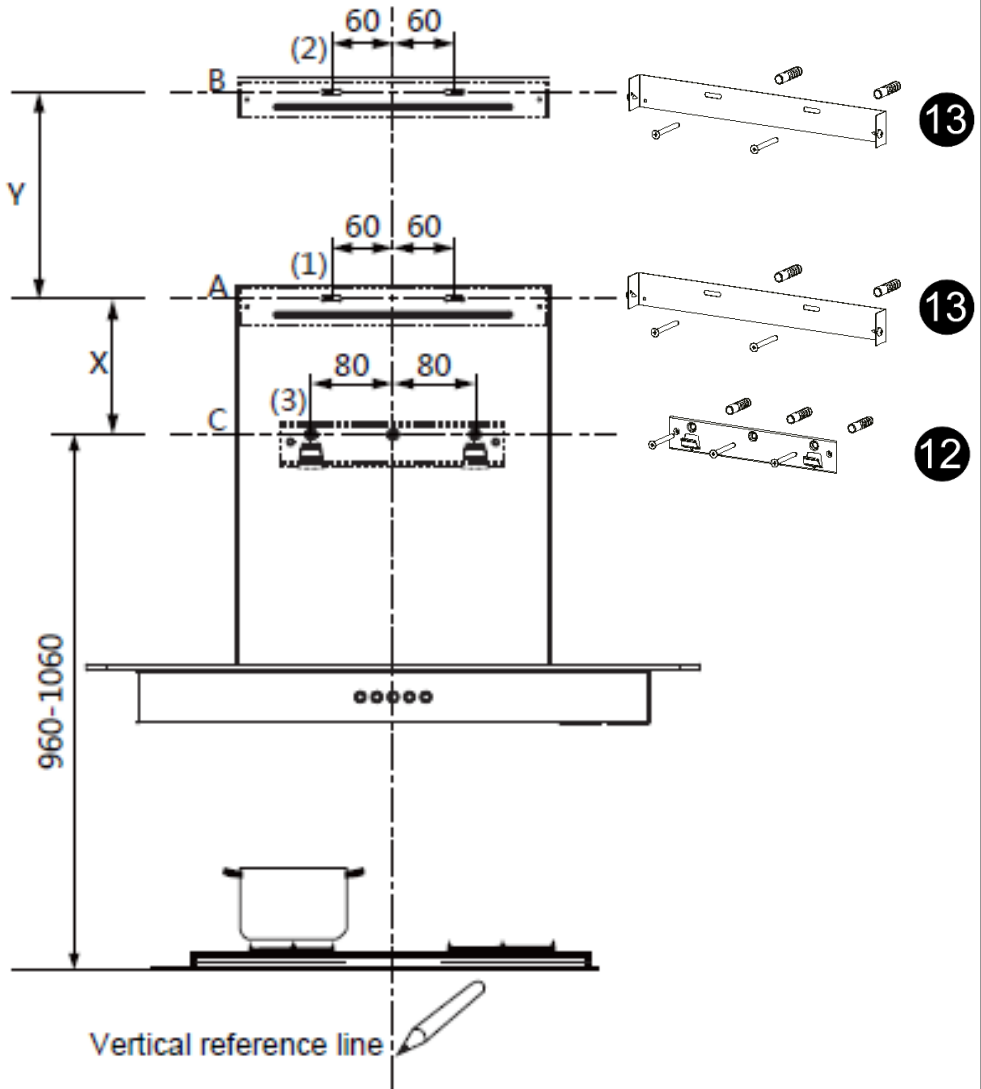


WARNING – we recommend a minimum of 2 people are required when moving, lifting or fitting the appliance.

WARNING – Ensure minimum clearance levels are maintained as outlined in the diagrams above.

We recommend the use of a spirit level and square to gauge the surface before installing, to ensure a flush fit.

INSTALLATION LOCATION



Chimney	X	Y
400+390	119	40-377

INSTALLATION – LOCATION & FITTING

As a first step, proceed with the following drawings:

- A vertical line up to the ceiling or up to the upper limit, at the centre of the area in which the hood is to be fitted.
- A horizontal line C at 960-1060 mm above the cooker top.
- A horizontal line A at a X mm above the horizontal line C.
- A horizontal line B at a Y mm above the horizontal line A

Mark Points:

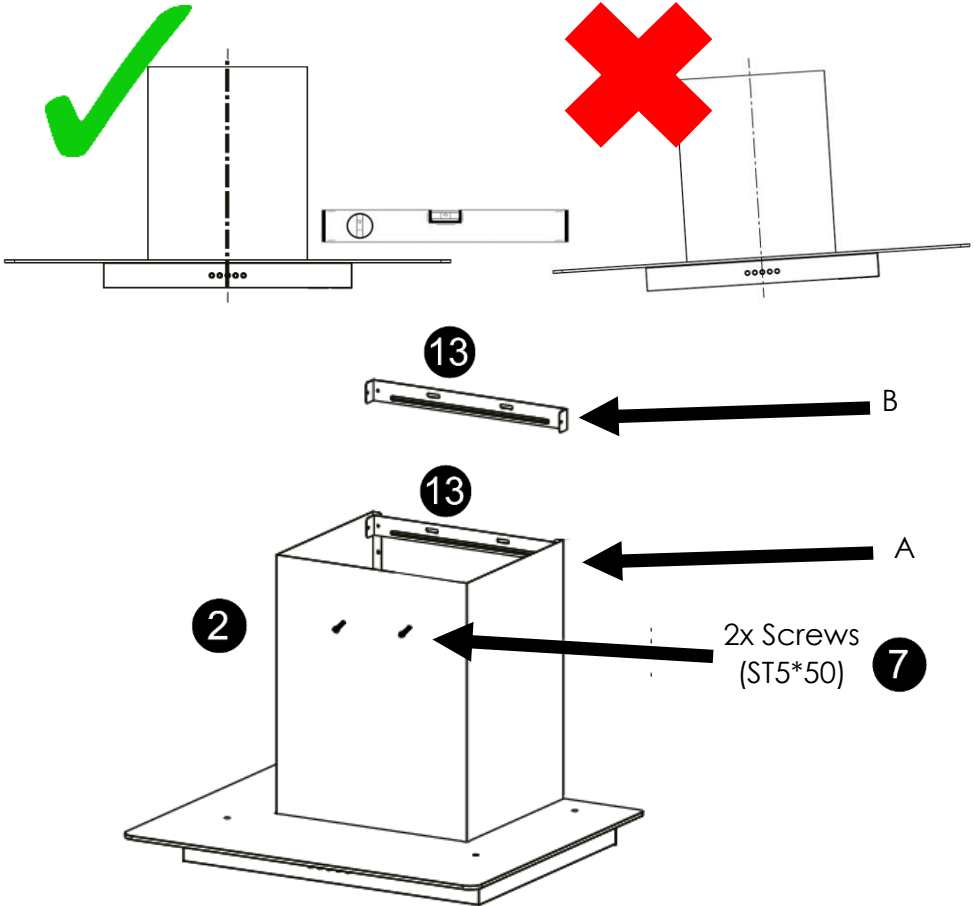
- Mark a point {1} on the horizontal line A, 60 mm to the vertical reference line.
- Repeat this operation on the other side, checking that the two marks are levelled.
- Mark a point {2} on the horizontal line B, 60 mm to the vertical reference line.
- Repeat this operation on the other side, checking that the two marks are levelled
- Mark a point {3} on the horizontal line C, 80 mm to the vertical reference line.
- Repeat this operation on the other side and on the vertical reference line, checking that the three marks are levelled.

Fix the brackets:

EXTERNAL VENTILATION (DUCTED)

- When installing the ducted version, you are required to connect the hood to the chimney using either a flexible or rigid pipe ϕ 150mm or ϕ 120 mm, the choice of which is left to the installer.
- Fix the 150mm pipe [4] in position using sufficient pipe clamps.
- To install a ϕ 120 mm air exhaust connection, insert a 150-120mm reducer flange (not supplied) on the hood body outlet.
- Remove any attached charcoal filters.
- Drill holes at the marked points with a ϕ 10 mm drill bit.
- Insert the Wall Plugs* [8] into the holes.
- Fix the hood fixing bracket [12] with 3 screws [7] (5 x 50) at the horizontal line C,
- Fix a Chimney fixing bracket [13] with 2 screws [7] (5 x 50) at the horizontal line B.
- Fix a Chimney fixing bracket[13] with 2 screws [7] (5 x 50) at the horizontal line A.

INSTALLATION - FITTING

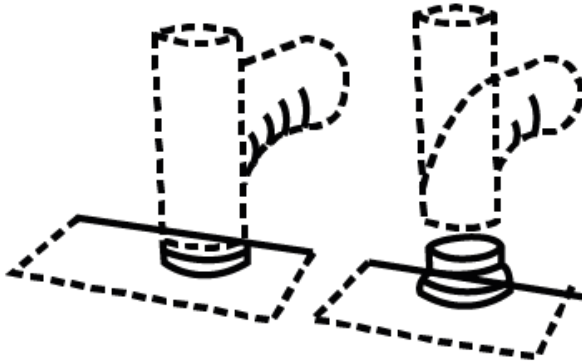


- Hook the hood body to the bracket [12].
- Check the Hood is level
- Fix the exhaust pipe on the hood body (see next page).
- Connect the Chimney fixing bracket [13] and Lower Decorative Chimney [2]
- Fix the Chimney fixing bracket [13] with 2 screws [7] (5 x 50) at the horizontal line A.
- Affix the glass to the top of the main unit with 4x screws [9]

EXTERNAL VENTILATION

When installing for external ventilation, connect the hood to the chimney using either a flexible or rigid pipe ϕ 150 or ϕ 120 mm, the choice of which is left to the installer.

- To install a ϕ 120 mm air exhaust connection, insert the reducer flange (not supplied) on the hood body outlet.
- Fix the flexible pipe [4] in position using sufficient pipe clamps.
- Remove charcoal filters if present.

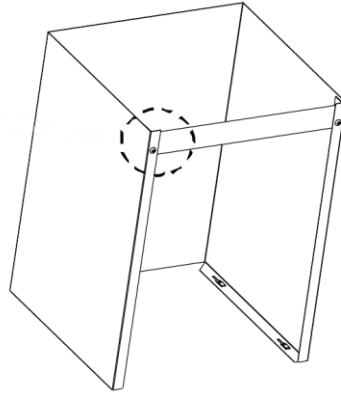
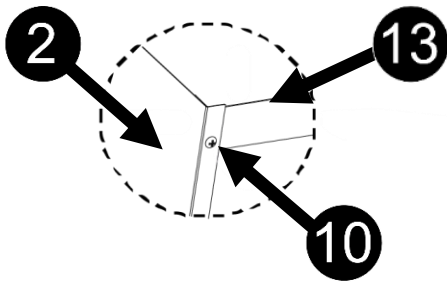


Internal Recirculation

When installing for internal recirculation, the flexible pipe is not required to be installed.

Ensure charcoal filters are installed (see page 15) and maintained to schedule in this manual.

PARTS LIST

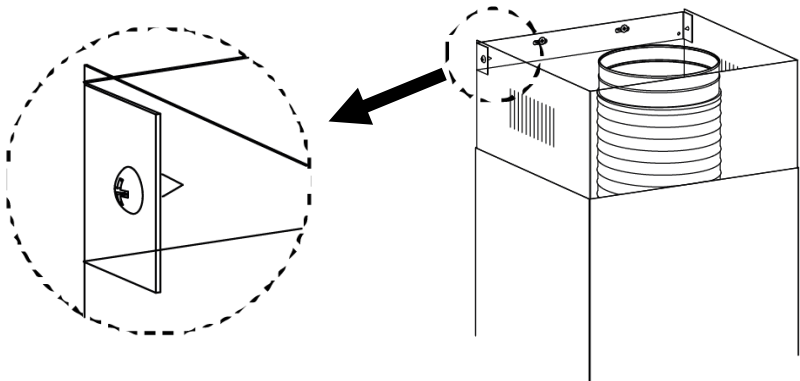


Lower Chimney

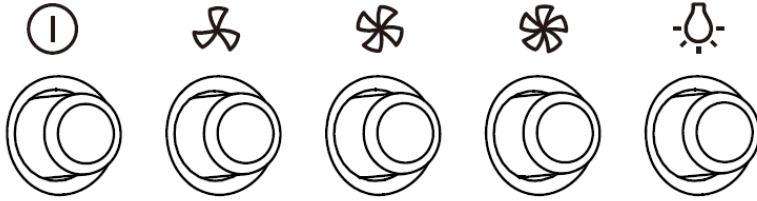
- Fix a Chimney fixing bracket [13] onto the Lower Decorative Chimney [2] with 2 screws [10] (4.2 x 9.5) supplied with the hood.






Upper Chimney

- Slightly widen the two sides of the upper chimney and hook them between the wall and the bracket [13] which is fixed on the Lower Decorative Chimney [2].
- Fix the upper chimney onto the bracket [13] with 2 screws [10] (4.2 x 9.5) supplied with the hood.
- Fix the chimney fixing bracket [13] with 2 screws [7] (5x50) at the horizontal line B.



USAGE INSTRUCTIONS



	OFF SWITCH: Press this switch to stop the appliance
	LOW SPEED: Press to run the appliance at low speed
	MEDIUM SPEED: Press to run the appliance at medium speed
	HIGH SPEED: Press to run the appliance at high speed.
	LIGHT: Press this switch to toggle the LED lights between On and Off

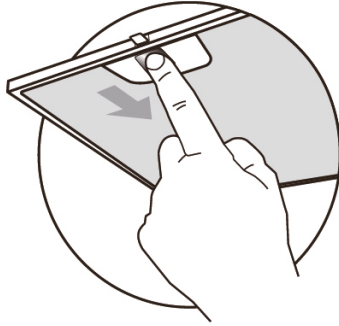
Regularly cleaning the filter prolongs the life of your appliance and prevents grease from building up and damaging the appliance and/or limiting the performance.

We recommend you clean the mesh filter every 3 months in hot soapy water.

WARNING – Washing the aluminium filter in a dishwasher may damage the filter.

NOTICE – If using charcoal filters for internal circulation, these cannot be washed and must be replaced every 3-6 months.

CLEANING & MAINTENANCE



Grease Filter

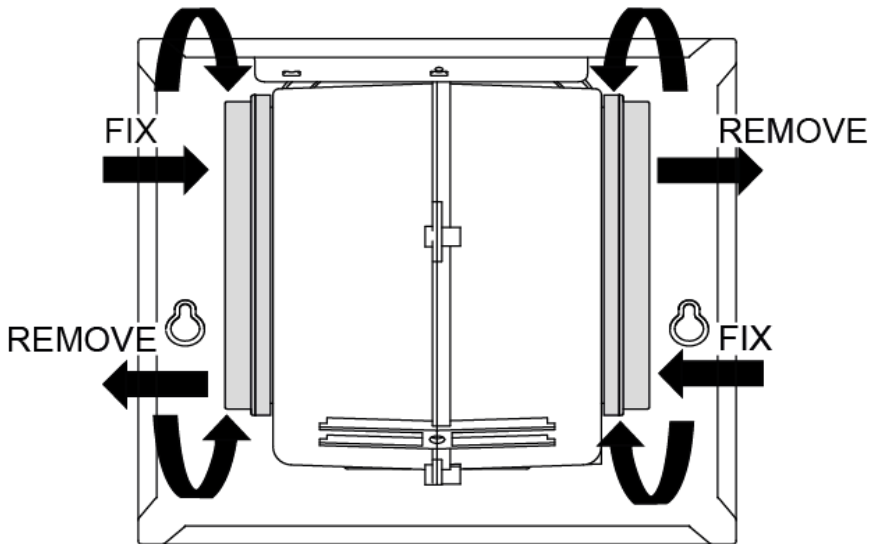
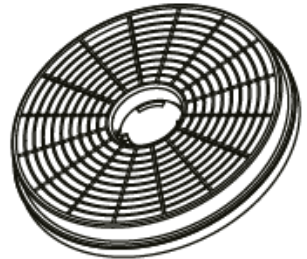
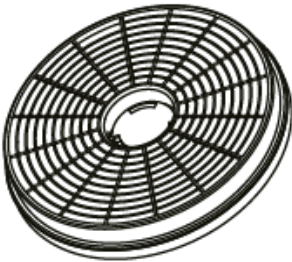
- The filter must be cleaned every 3 months of operation, or more frequently for particularly heavy usage, and can be washed in a dishwasher.
- Pull the switch to open them.
- Remove the filter by pushing them towards the back side of the hood unit and simultaneously pulling downwards.
- Any kind of bending of the filters has to be avoided when washing them.
- Before fitting them again into the hood make sure that they are completely dry.
- The colour of the filter surface may change throughout the time but this has no influence to the filter efficiency.
- When fitting the filters into the hood pay attention that they are mounted in correct position with the handle facing outwards.

Charcoal Filters

These filters are not washable and cannot be regenerated, and must be replaced approximately every 3-6 months of operation, or more frequently with heavy usage

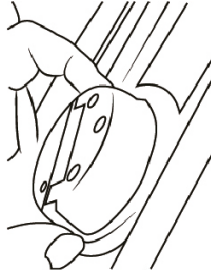
CHARCOAL FILTERS

- Remove the metal grease filters.
- Remove the saturated activated charcoal filter by twisting anti-clockwise, and pulling.
- Fit the new filters by pushing and twisting clockwise.
- Replace the metal grease filters.



LED REPLACEMENT

- You cannot change just the bulb, the entire module must be replaced.
- We recommend an engineer replaces the bulb in all instances.
- When changing the light modules, the contacts are live.
- Before changing the light module(s), unplug the appliance from the mains or switch off the circuit breaker in the fuse box.



Diameter	Max Power	Voltage	ILCOS D code
70mm	1.5W	DC 12V	DSR-1.5-5-7

PROBLEM SOLVING

Appliance does not operate	<ul style="list-style-type: none">• Check appliance is plugged in• Check alternative appliance in the plug socket• Ensure other appliances in the house are operating• If fault persists, contact customer services
Light on but no extraction	<ul style="list-style-type: none">• Check extraction modes are selected• If fault persists, contact customer services
Lights do not operate	<ul style="list-style-type: none">• Check light switch is pressed• Check appliance operates under extraction modes• Replace LED module• If fault persists, contact customer services
Excess vibrations	<ul style="list-style-type: none">• Hood is not installed securely
Insufficient suction power	<ul style="list-style-type: none">• Check higher extraction settings are being used• Clean the aluminium grease filter• Replace the carbon filters (if installed)• Check the flue duct is not blocked

TECHNICAL SPECIFICATION

RHFGCH601	
Dimensions (H) x (W) x (D) cm	440 - 820mm x 600mm x 500mm
Wattage	108W
Operating Voltage / Frequency	AC220-240V, 50Hz
Current	0.8A
Max. Extraction Rate	440m3/h
Energy Usage	54kWh/a
Energy Efficiency Rating	C
Noise level	65dB
Extraction Rating	E
Light Rating	A
Filtration Rating	C

RHFGCH901	
Dimensions (H) x (W) x (D) cm	440 - 820 mm x 900mm x 500mm
Wattage	108W
Operating Voltage / Frequency	AC220-240V, 50Hz
Current	0.8A
Max. Extraction Rate	440m3/h
Energy Usage	54kWh/a
Energy Efficiency Rating	C
Noise level	65dB
Extraction Rating	E
Light Rating	A
Filtration Rating	C



Russell Hobbs

Made by Product Care Trading Limited under license from Spectrum Brands (UK) Limited. Product Care Trading Ltd, Unit 1, Green Bank Business Park, Swan Lane, Hindley Green, Wigan, WN2 4AY, United Kingdom

Product Care (Ireland) Ltd, Unit 3D North Point House, North Point Business Park, New Mallow Road, Cork, T23 AT2P, Ireland. Russell Hobbs is the registered trademark of Spectrum Brands (UK) Ltd.

**UK
CA**



The 'wheellie bin' symbol is known as the 'Crossed-out wheellie bin Symbol'. When this symbol is marked on a product/batteries, it means that the product/batteries should not be disposed of with your general household waste. Only discard electrical/electronic/battery items in separate collection schemes, which cater for the recovery and recycling of materials contained within. Your co-operation is vital to ensure the success of these schemes and for the protection of the environment. For your nearest disposal facility, visit www.recycle-more.co.uk or ask in store for details.

SEDEX – Connecting businesses and their global suppliers to share ethical data and enabling improvement in ethical performance. Visit www.sedex.org.uk for further information.

We reserve the right, due to possible changes to design, to alter the instruction manual without prior notice.

Revision 2.1