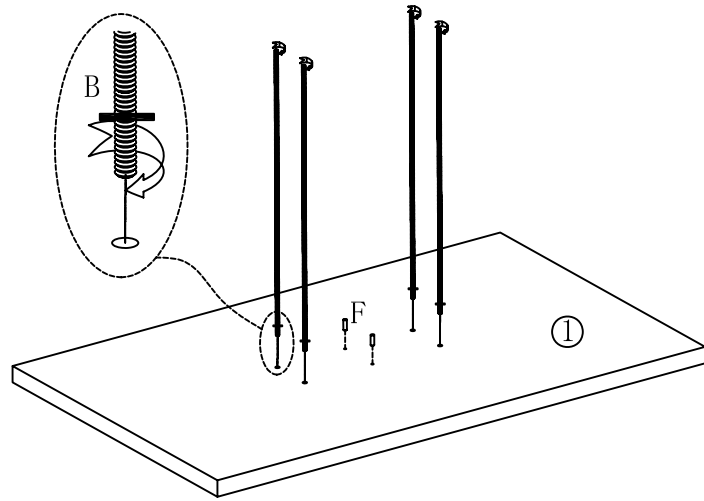
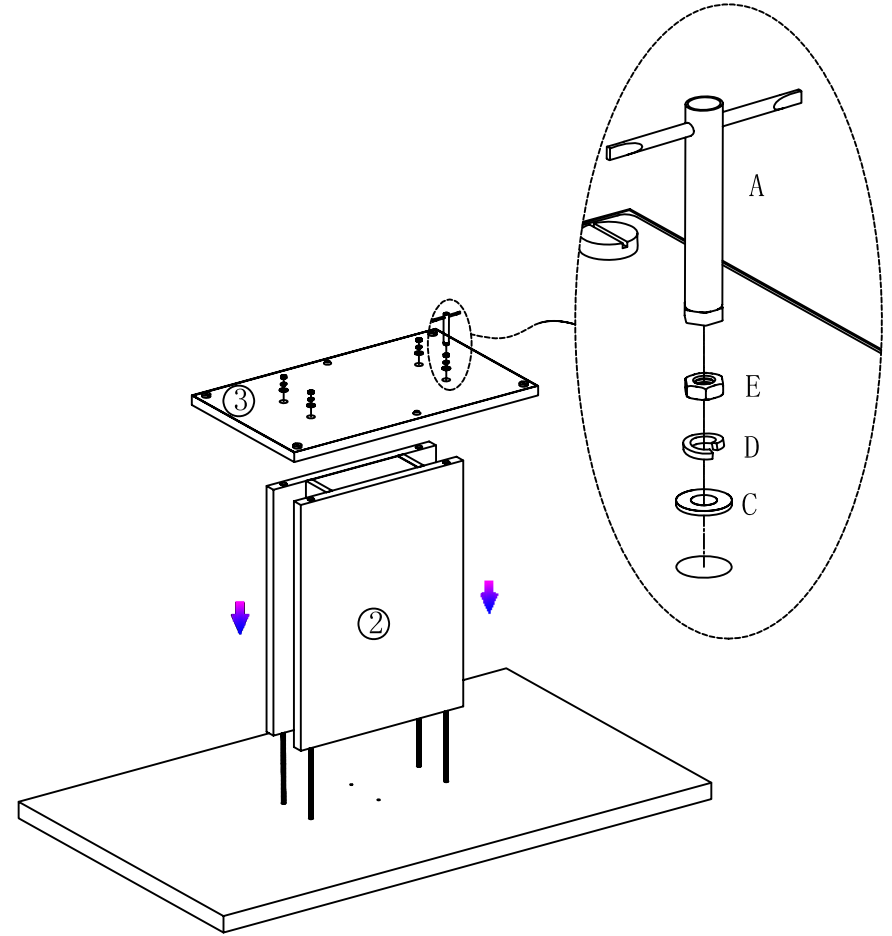


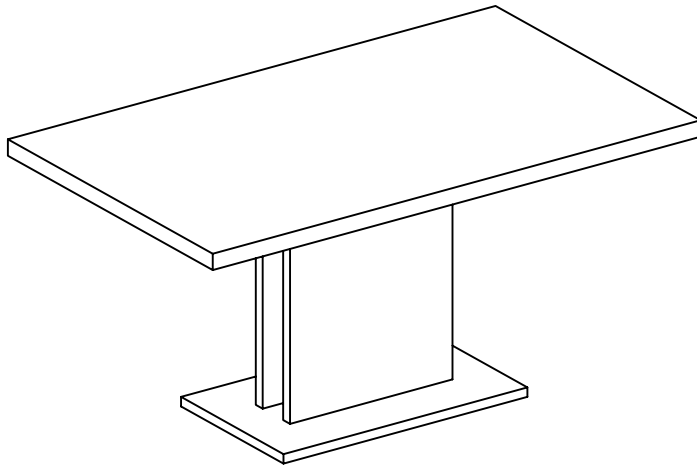
STEP 1

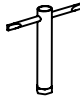







STEP 2



FINISH



| A | B | C | D | E | F |
|--|---|---|---|---|---|
|  |  |  |  |  |  |
| 100*100*19 (14#) | M8*725 | ∅20*∅10*1.5 | ∅13*∅8*2.5 | M8 | ∅6x30 |
| 1pcs | 4pcs | 4pcs | 4pcs | 4pcs | 2pcs |