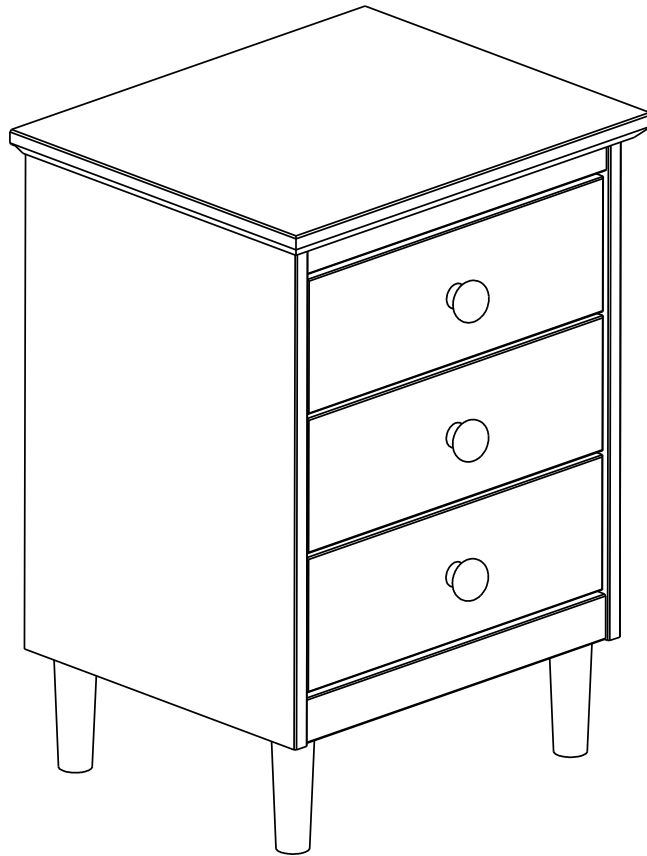


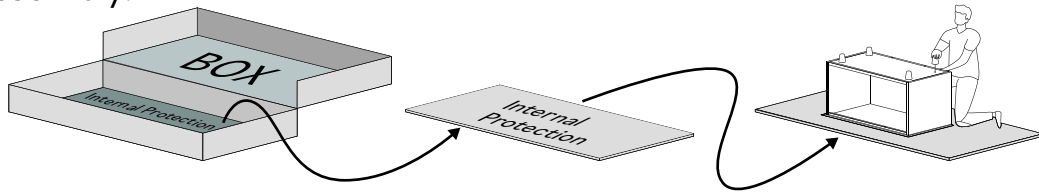
3-Drawer Solid Wood Nightstand



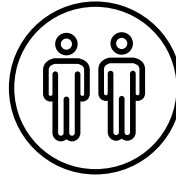
For Residential Use Only

Time to get started

Set up a clean and soft workplace to avoid damage during assembly. You can use the box and internal protections as cover. It also helps to double-check if you've got all the pieces and parts before diving in assembly.



**Estimated time
for assembly**



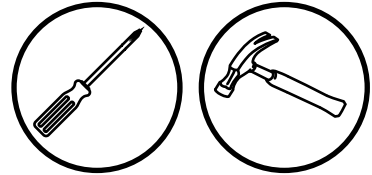
2 People Build

**People recommended
for assembly**

Make it a team effort!
Grab a friend for quicker,
easier assembly.

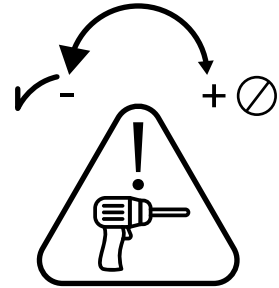
Tools Needed

Grab a Phillips head screwdriver to conquer this assembly. We will also need a hammer to help.



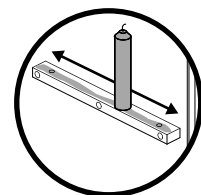
Use power tools with caution

This furniture is made of Solid Wood and Composite Wood, soft materials. If you choose to use power tools, set it to the slower setting. Be careful! Power tools can cause cracking or damage to the furniture, they can also damage the hardware if misused.



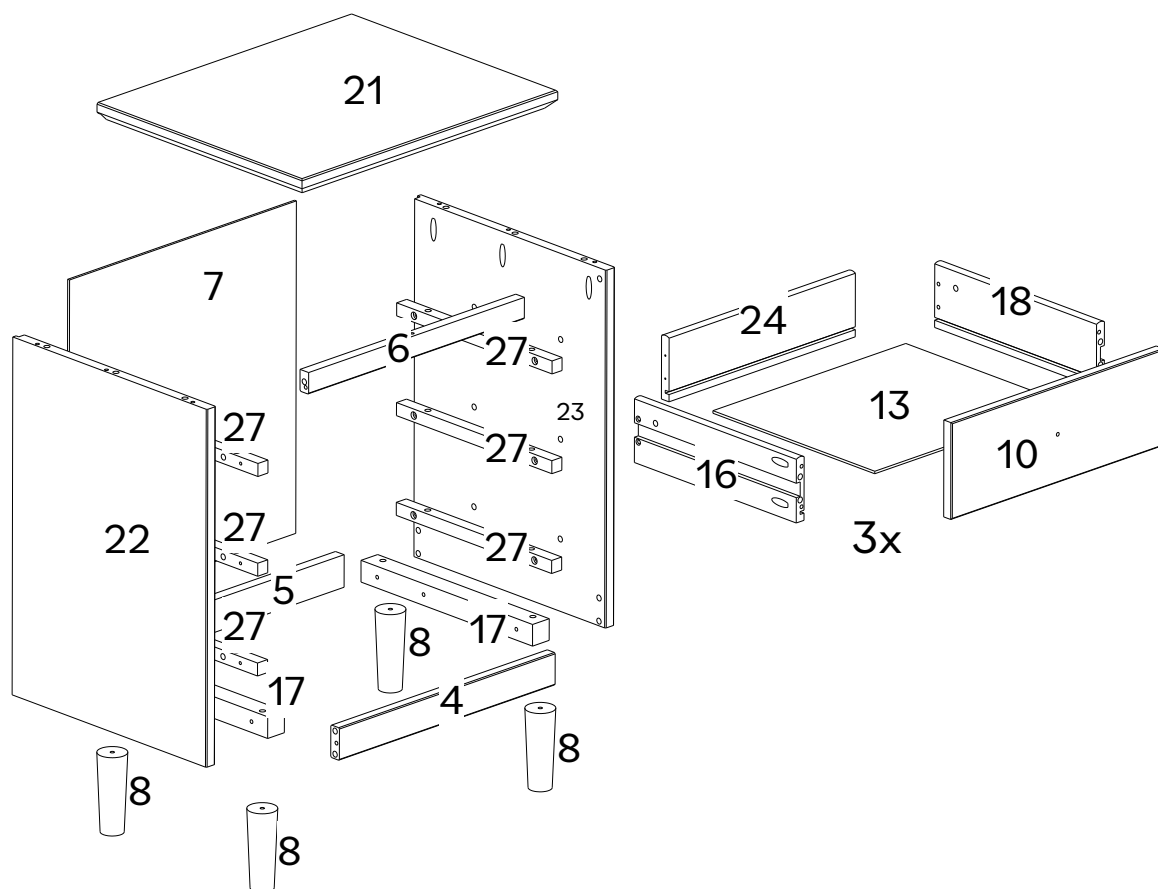
Slide care

Your furniture has highly durable wooden sliders. From time to time we recommend applying paraffin or standard candle wax to improve gliding of the sliders.

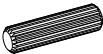
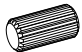
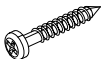


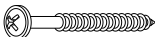
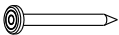
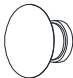
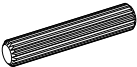
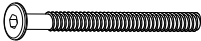



Parts List

Part Number	Description	Quantity
4	Bottom front crossbeam	1
5	Back crossbeam	1
6	Upper front crossbeam	1
7	Back panel	1
8	Foot	4
10	Front drawer	3
13	Drawer bottom	3
16	Left side drawer	3
17	Foot crossbeam	2
18	Right drawer side	3
21	Top panel	1
22	Left side panel	1
23	Right side panel	1
24	Drawer back	3
27	Drawer runner	6



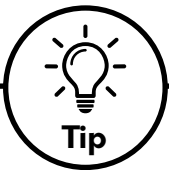
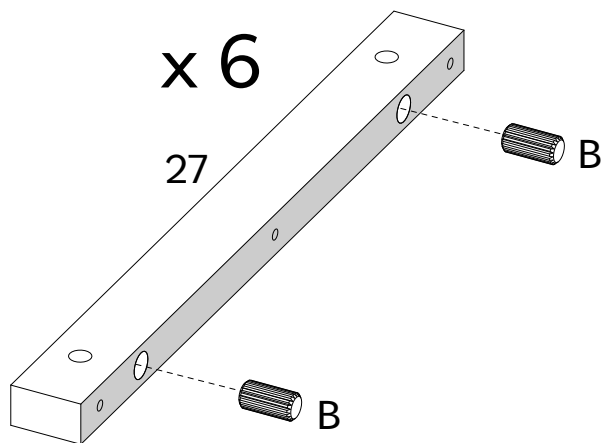
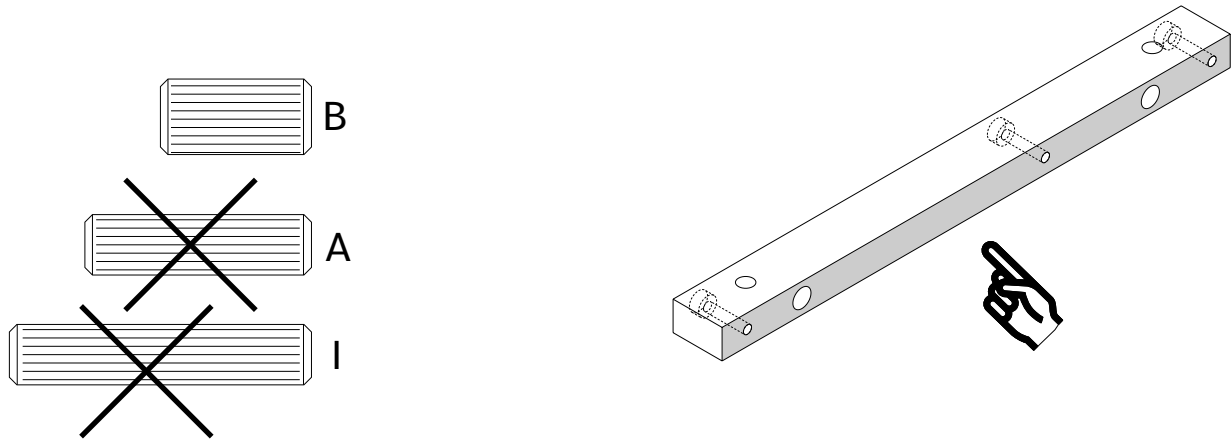
Hardware List

Part	Size	Name	Quantity
A	 8x30mm	Wooden dowel	35
B	 10x20mm	Wooden dowel	12
C	 4x25mm	Screw	18
D	 3,5x30mm	Screw	37
E	 M4x22mm	Screw	03
F	 4,5x45mm	Screw	08
G	 10x10mm	Nail	16
H		Knob	3
I	 8x40mm	Wooden dowel	6
J	 7x80mm	Screw	4
K	 4mm	Hex Key	1

*The hardware quantities listed above are required for proper assembly.
Extra hardware pieces may be included.*

Step 1

Let's get started! Insert the (B) Wooden dowels into each Wood Slider (27).

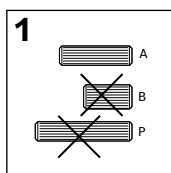


Tip

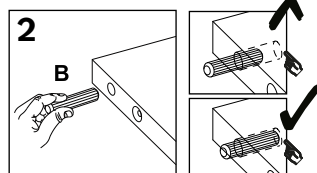
Wood Dowels

Dowels are essential in furniture assembly to create strong, precise connections. They ensure structural integrity, prevent shifting, and simplify alignment, resulting in sturdier, longer-lasting furniture.

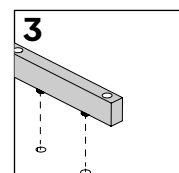
Follow these steps:



1: Select the appropriate size dowel according with step.



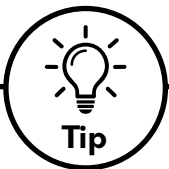
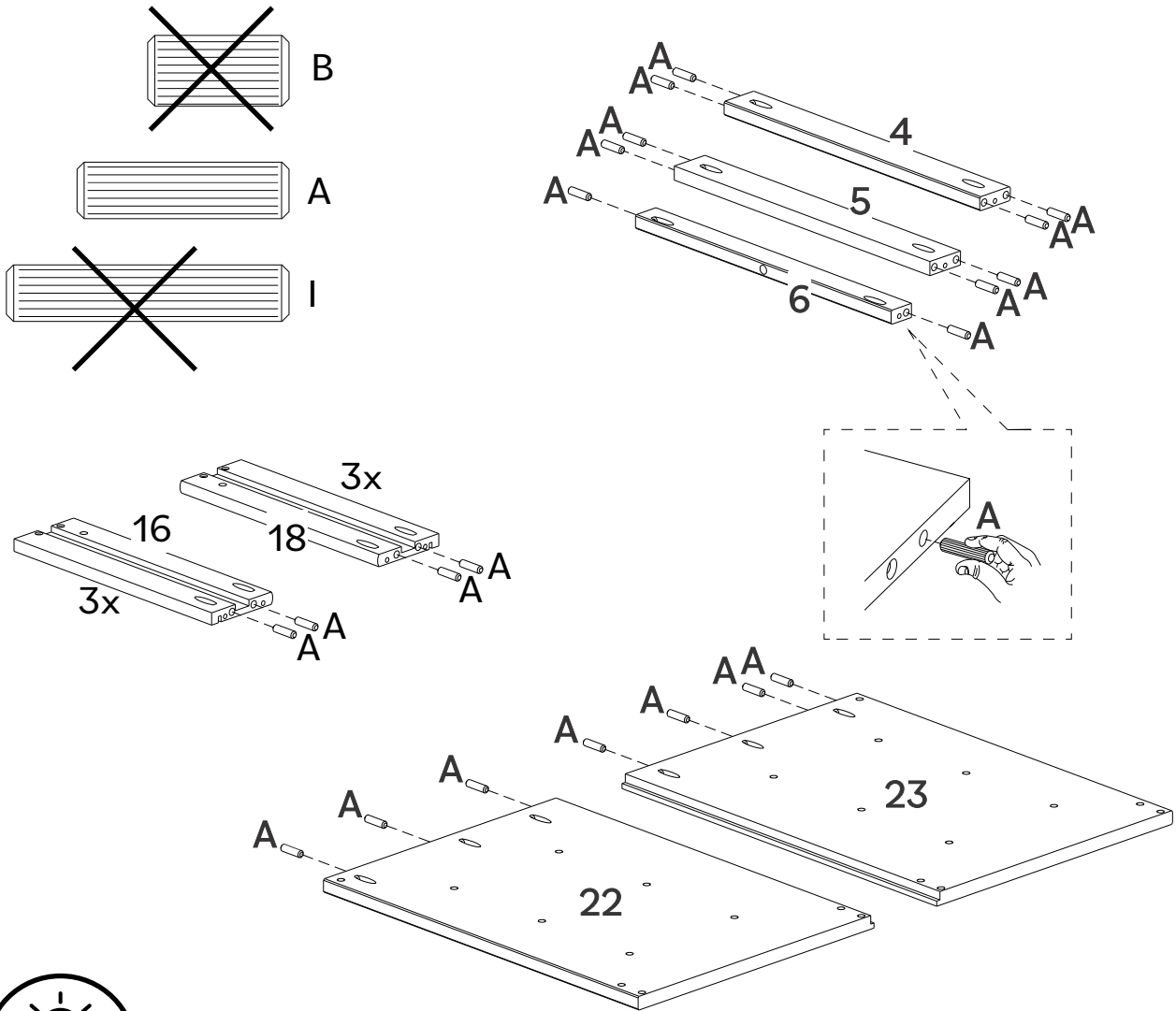
2: Insert into drilled hole and press firmly to ensure placement is set.



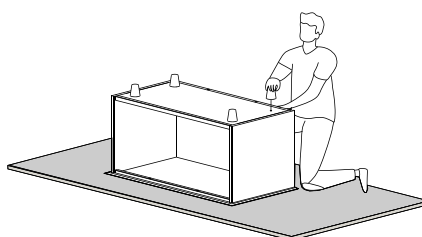
3: Align the dowel with corresponding piece and press together until secure.

Step 2

Insert the (A) Wooden dowels into the Bottom front crossbeam(4), Back crossbeam(5), Upper front crossbeam(6), Left side drawer(16), Right drawer side(18), Left side panel(22) and the Right side panel(23).

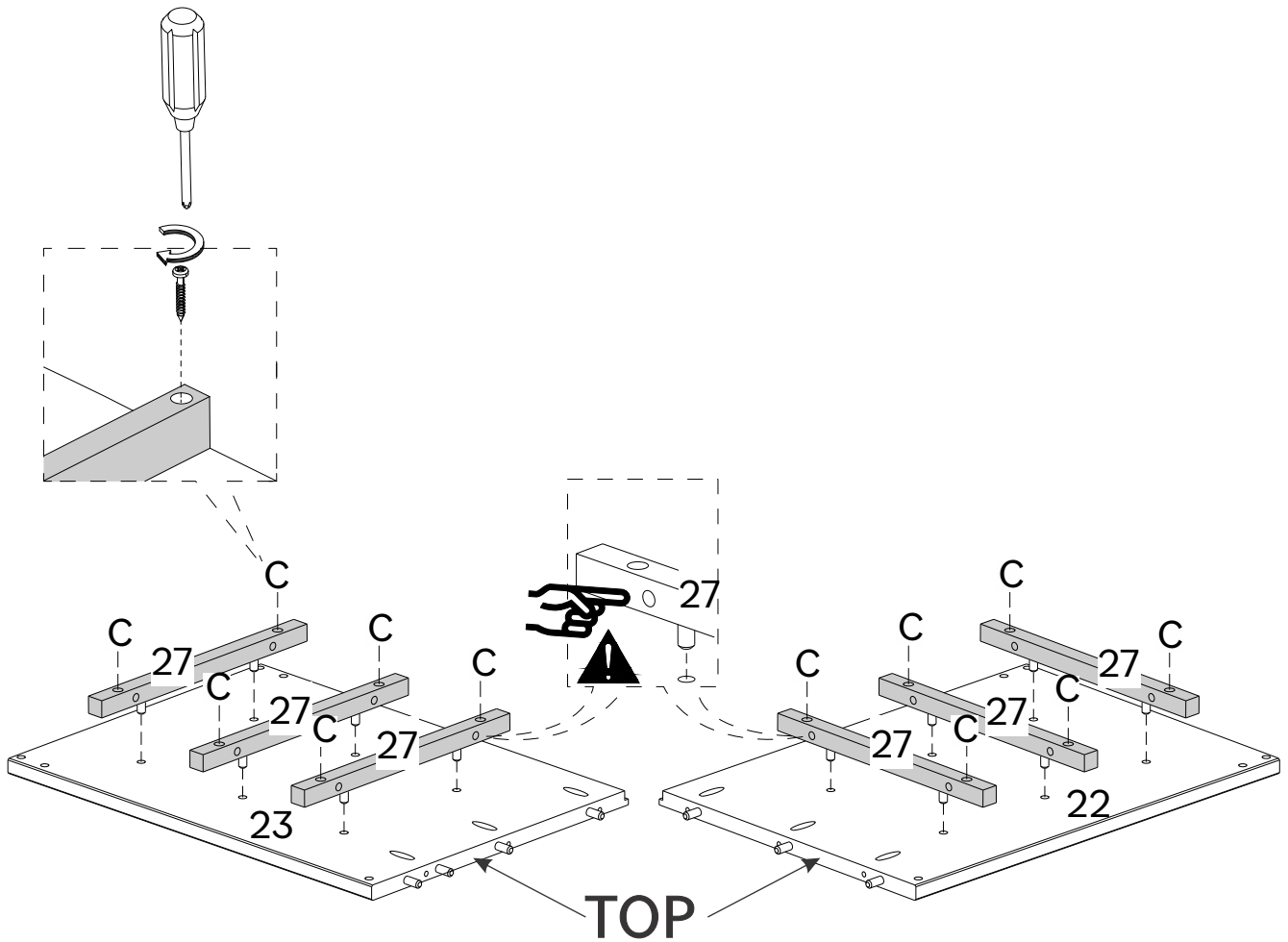


To keep your product looking its best and scratch-free, try assembling it on a soft surface like carpet or a blanket. This helps prevent any accidental scratches and keeps your furniture in top shape!



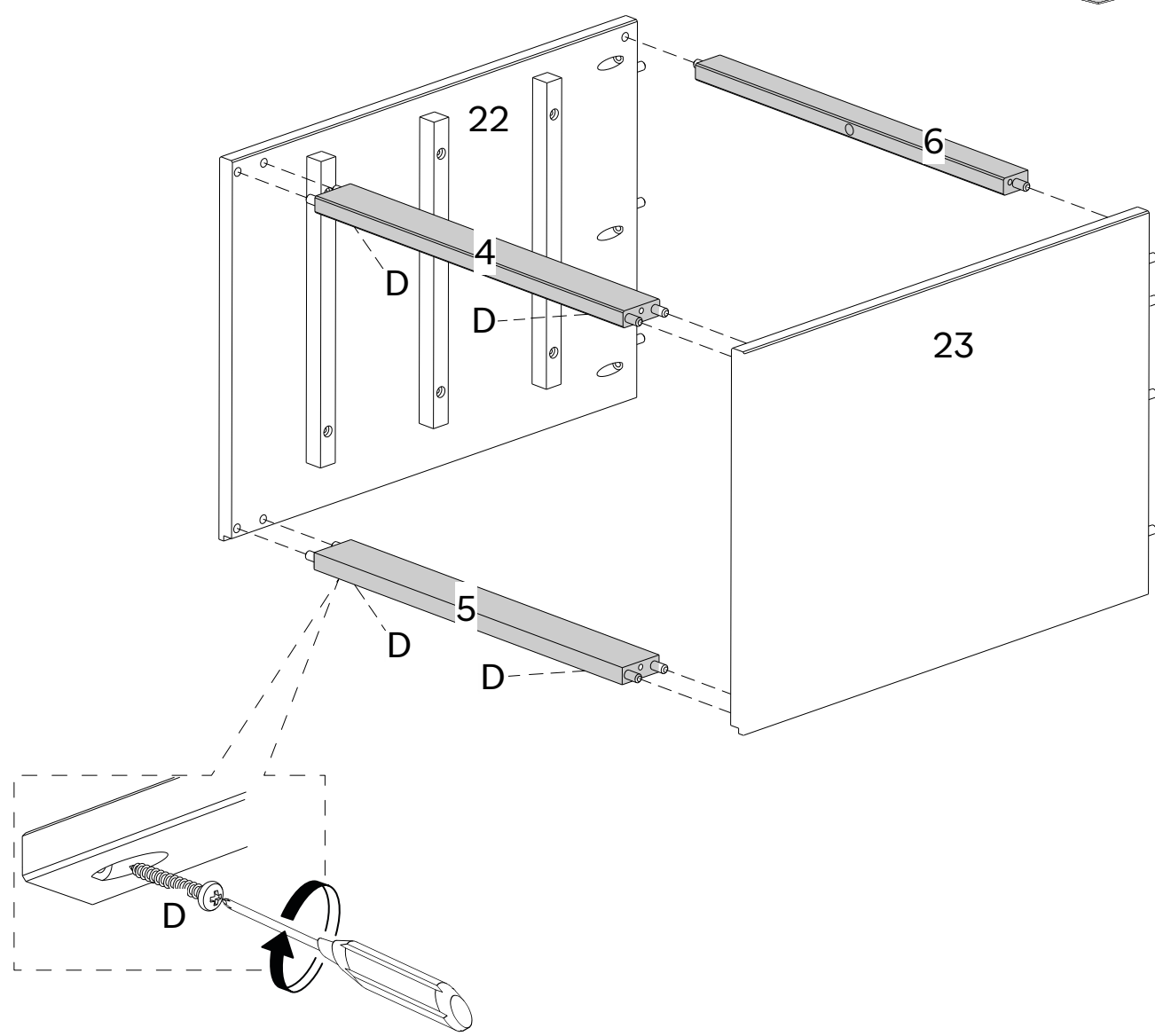
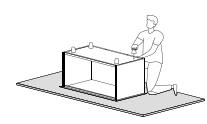
Step 3

Next, attach the Wood Sliders (27) to the Left Panel (22) and the Right Panel (23) using the (C) Screws. Tighten with a screwdriver.



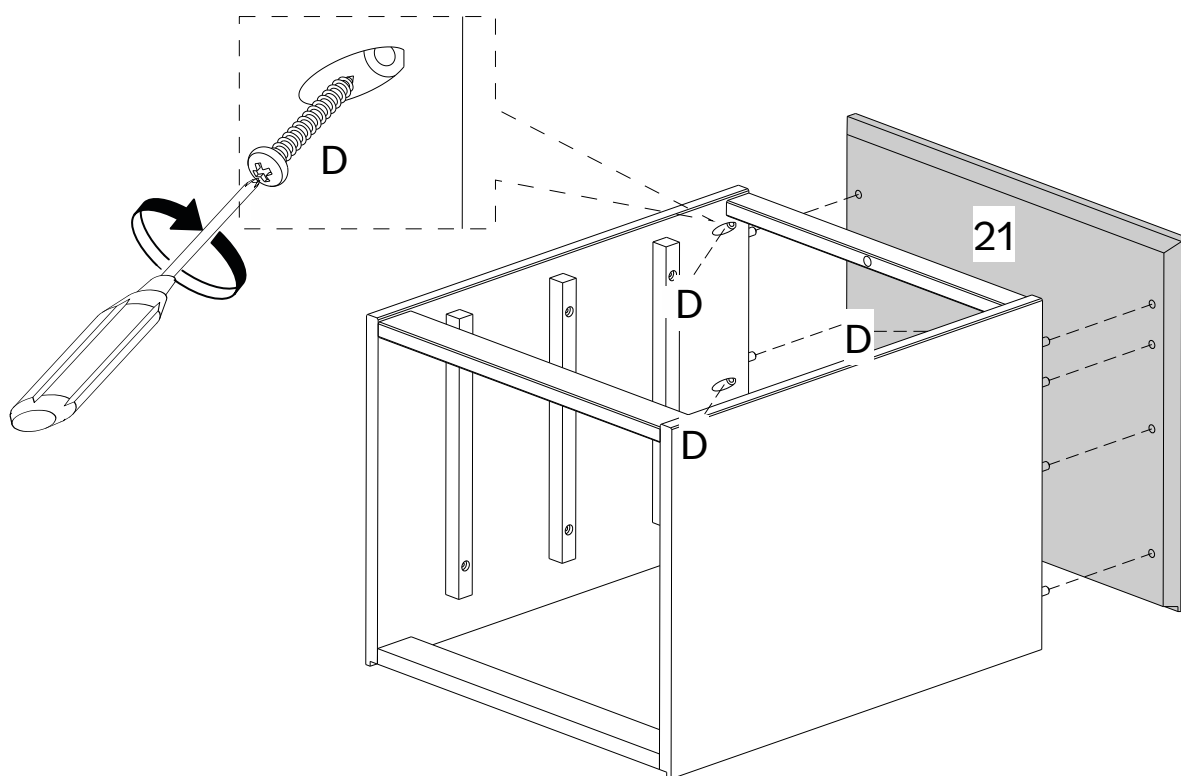
Step 4

Secure Bottom front crossbeam(4), Back crossbeam(5), Upper front crossbeam(6) to Left side panel (22) and Right side panel (23). Using screw (D) and Phillips head screwdriver.



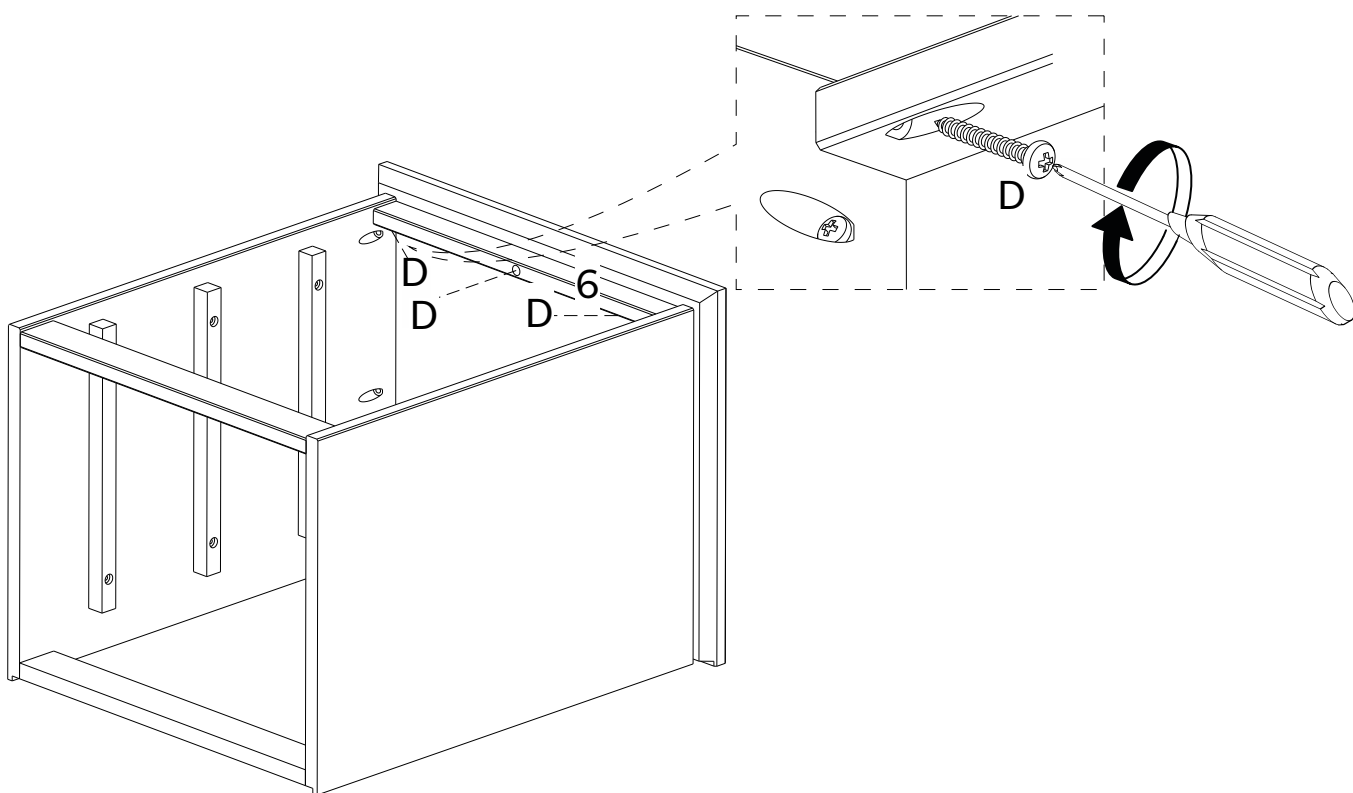
Step 5

Use screw (D) to attach Top panel (21) to body.



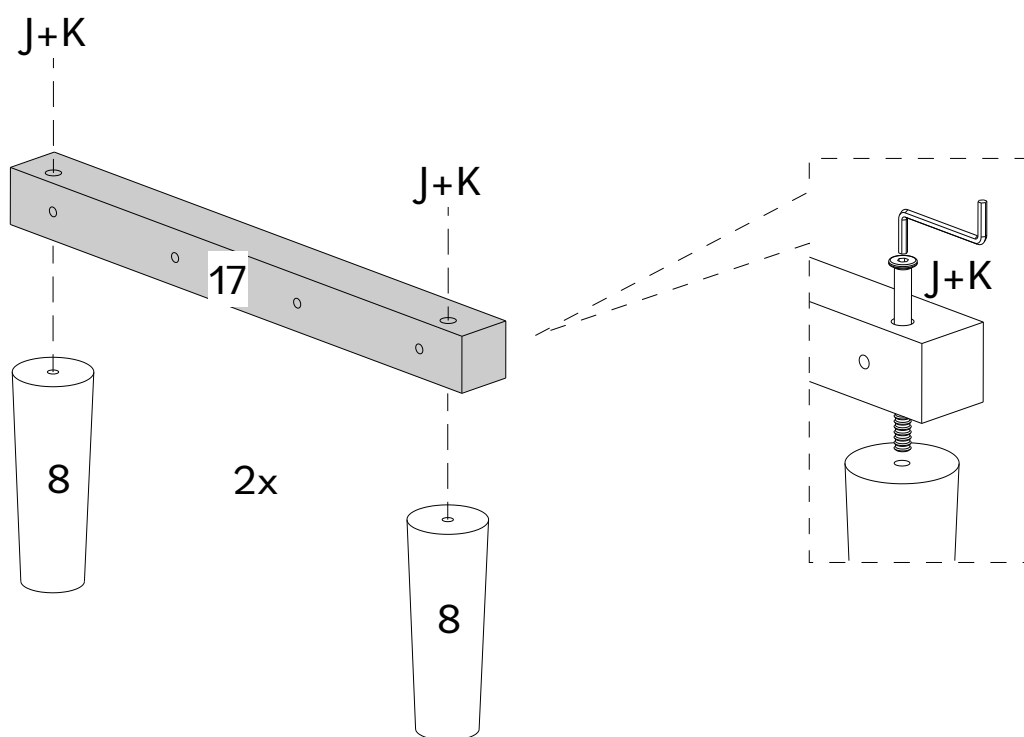
Step 6

Use screw (D) to attach Upper front crossbeam(6) to body.



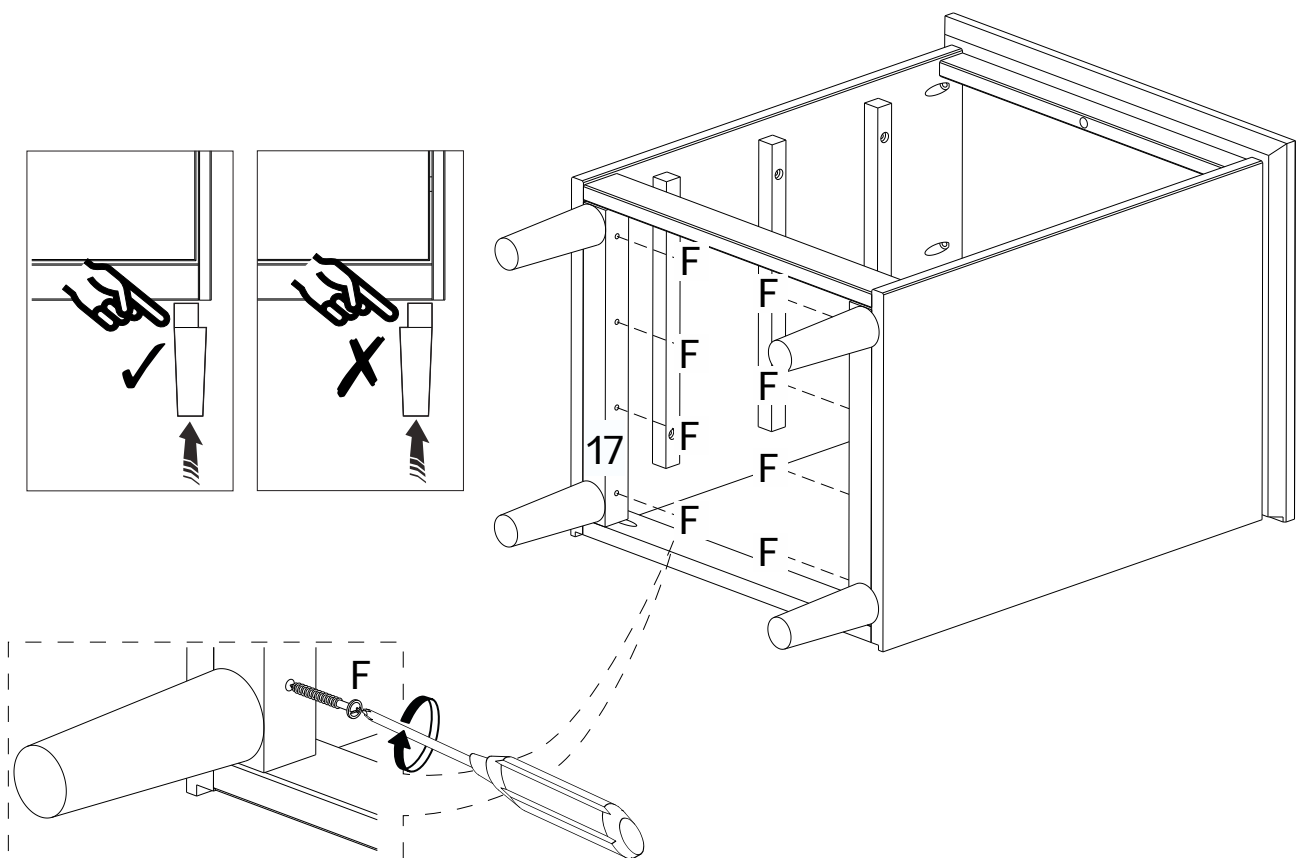
Step 7

Secure foot crossbeam (17) to foot (8) with screw (J) and hex key (K).



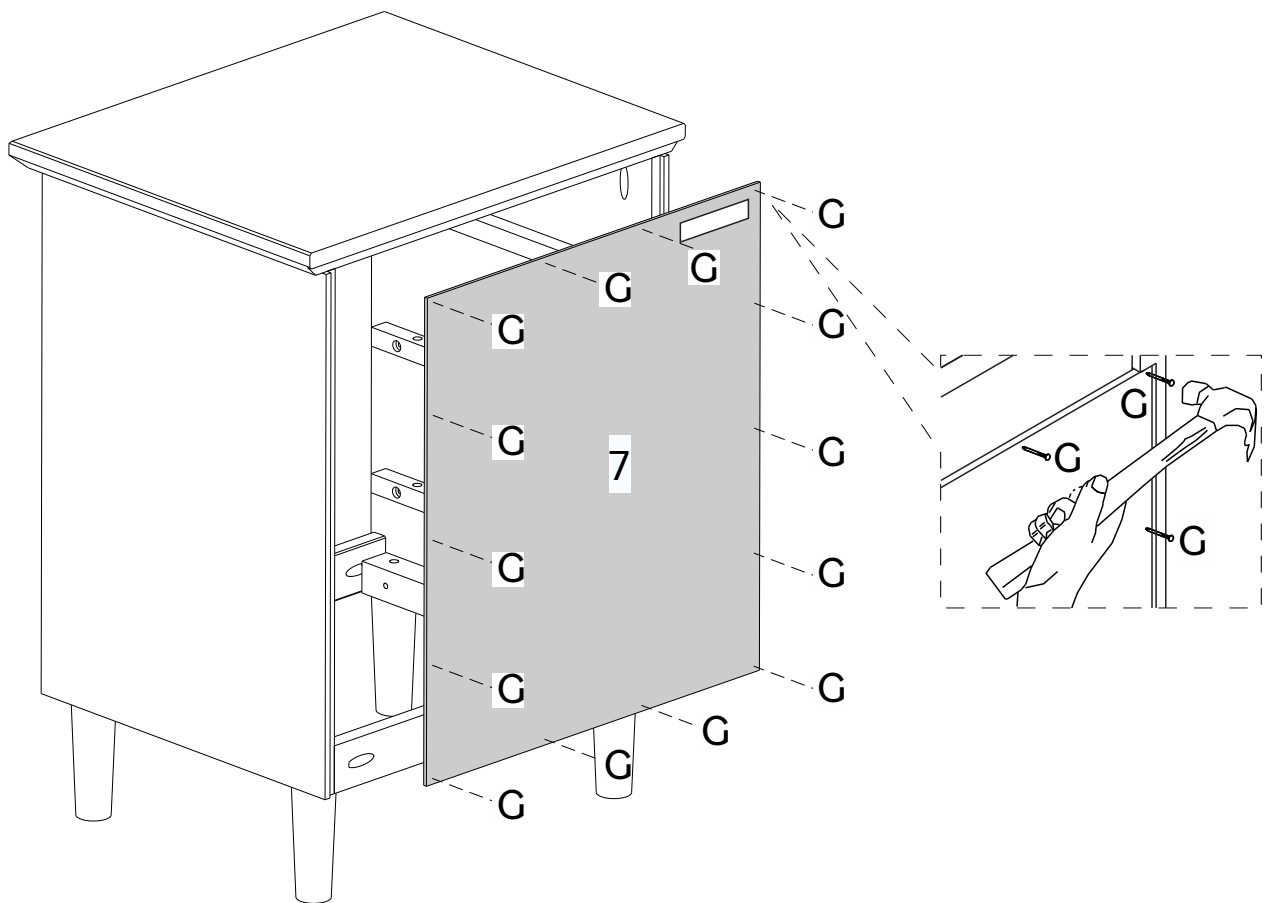
Step 8

Use screw (F) and Phillips screwdriver to secure foot crossbeam (17) to the body.



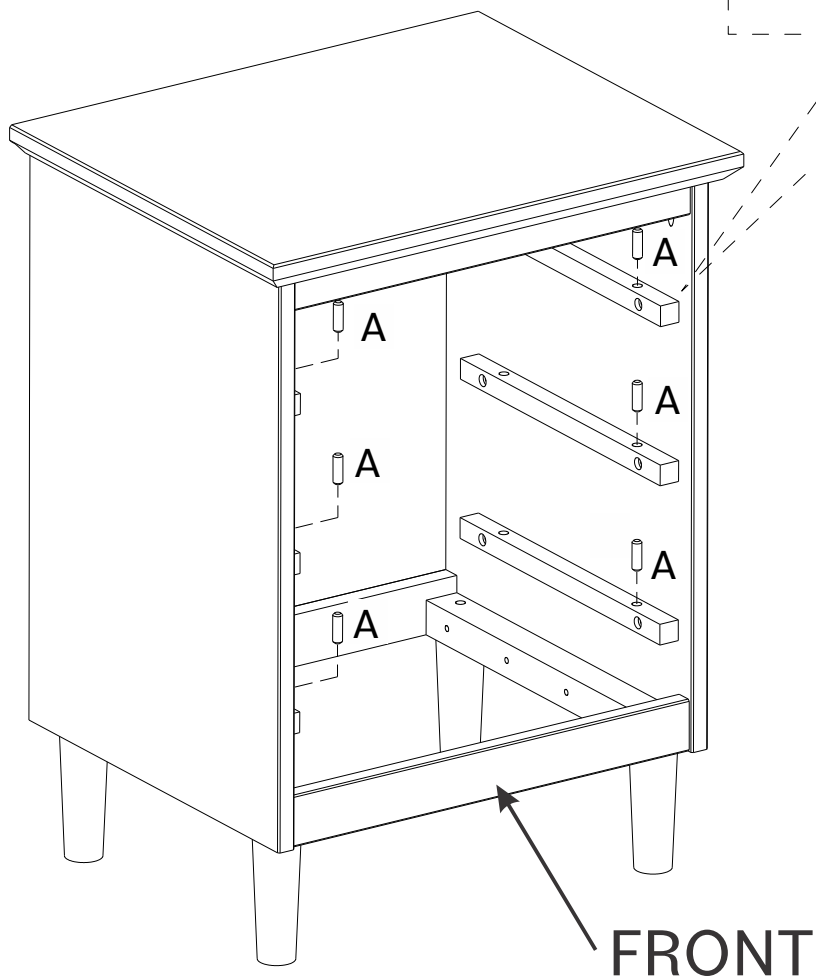
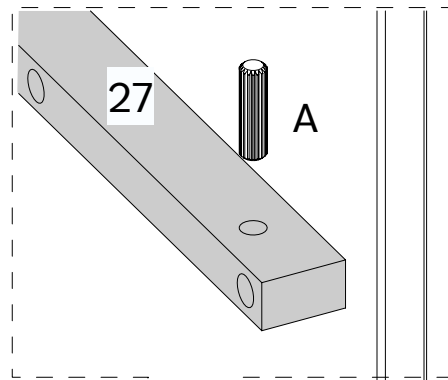
Step 9

Secure back panel (7) to body with nails (G).



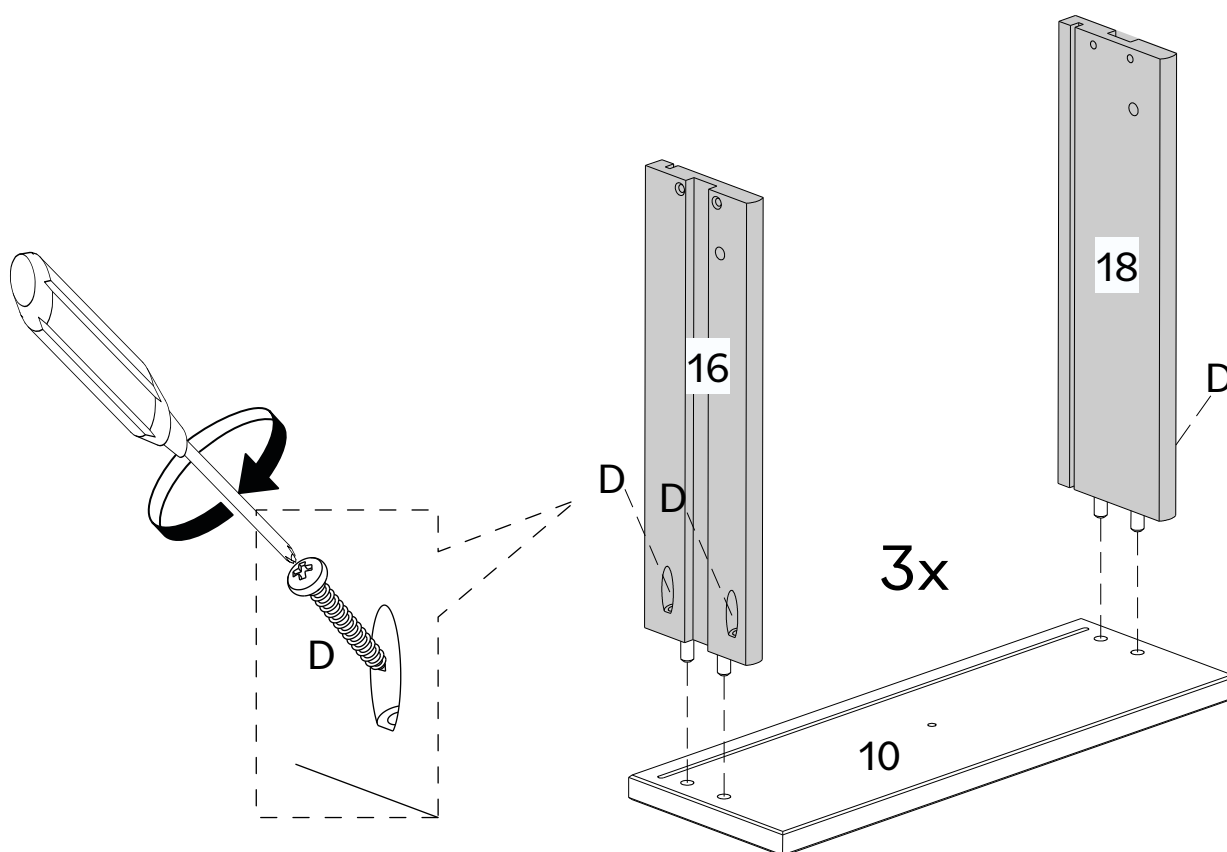
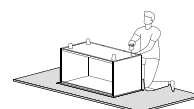
Step 10

Insert Wooden dowels (A) into Drawer runner(27).



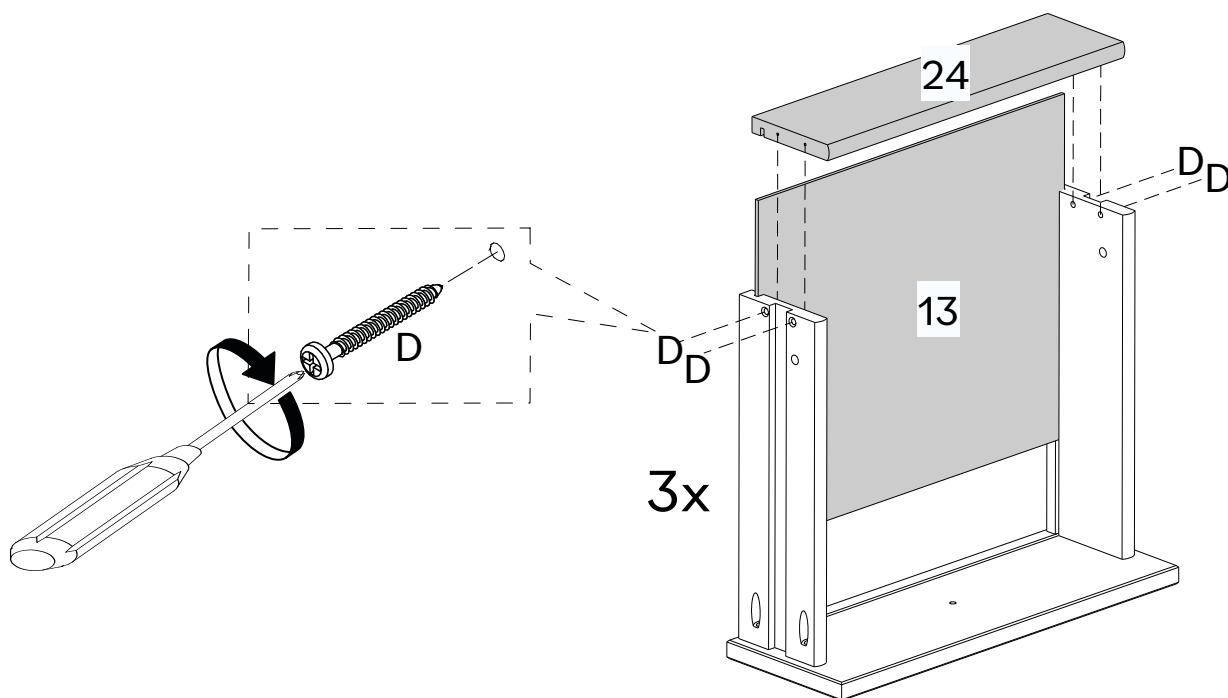
Step 11

Secure Left side drawer (16) and Right drawer side (18) to front drawer (10) with screw (D) and Phillips head screwdriver.



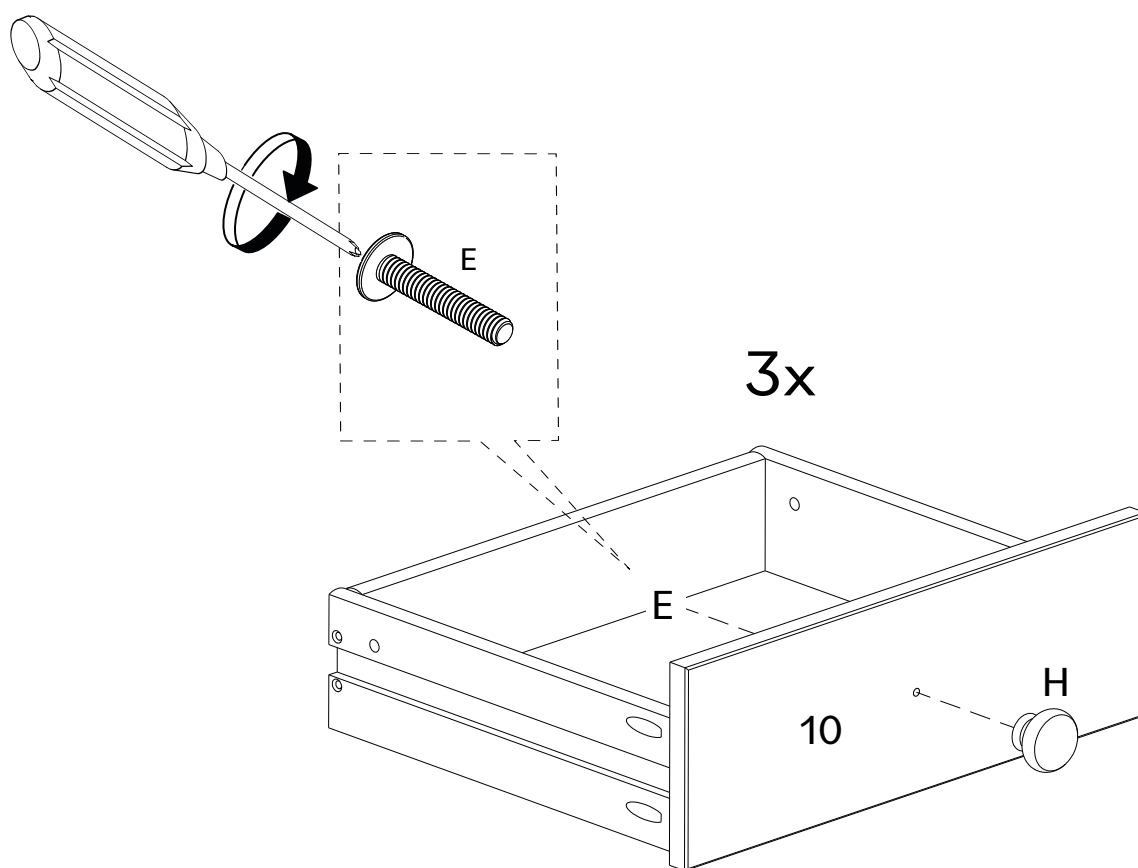
Step 12

Insert drawer bottom (13) between Left side drawer (16) and Right drawer side (18). Attach Drawer back (24) to Left side drawer (16) front and Right drawer side (18) with screws (D) and Phillips head screwdriver.



Step 13

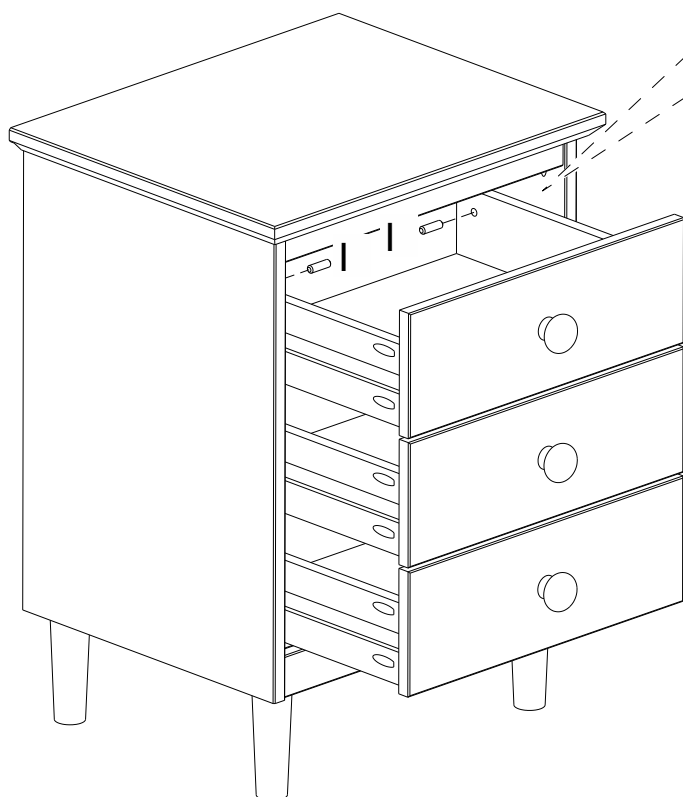
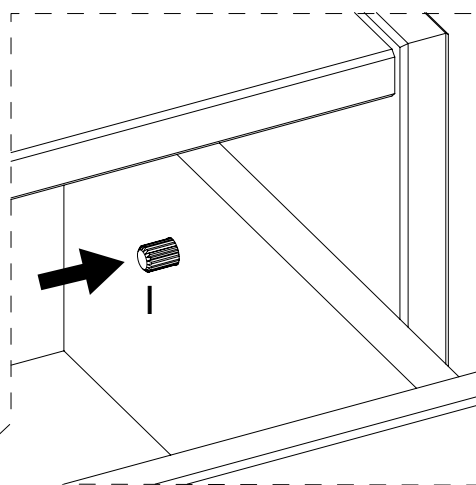
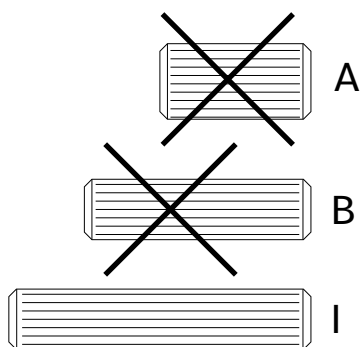
Attach the handle (H) to front drawer (10) with screw (E) and Phillips screwdriver.



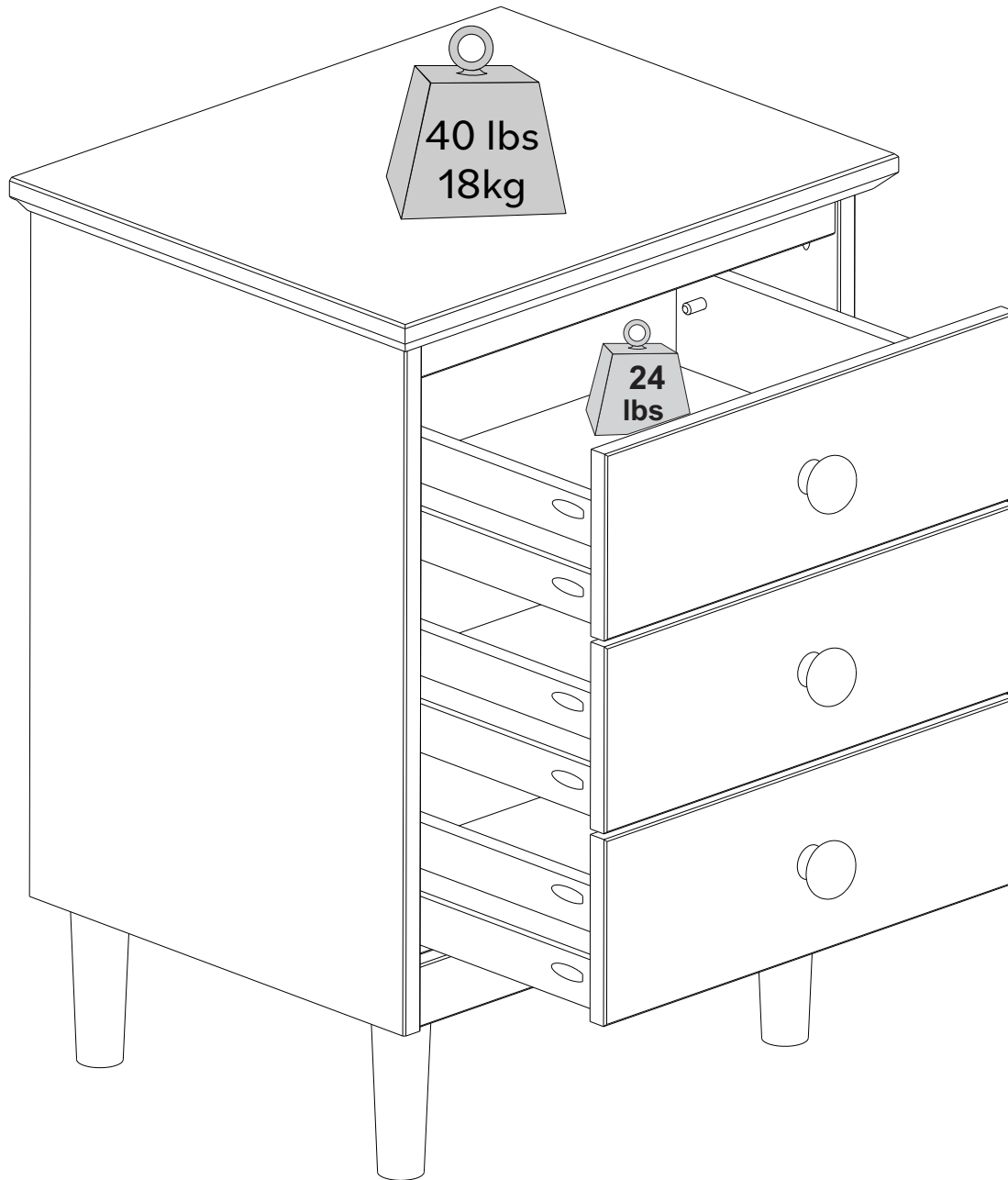
Step 14

Insert wood dowel (I) on the inside of all drawers, with the drawer inside the unit after having passed the wood dowel that is in the drawer slide.

The dowel is not flush with the panel, it is a little inside the drawer to help when you need to remove the lock dowel to remove the drawer.



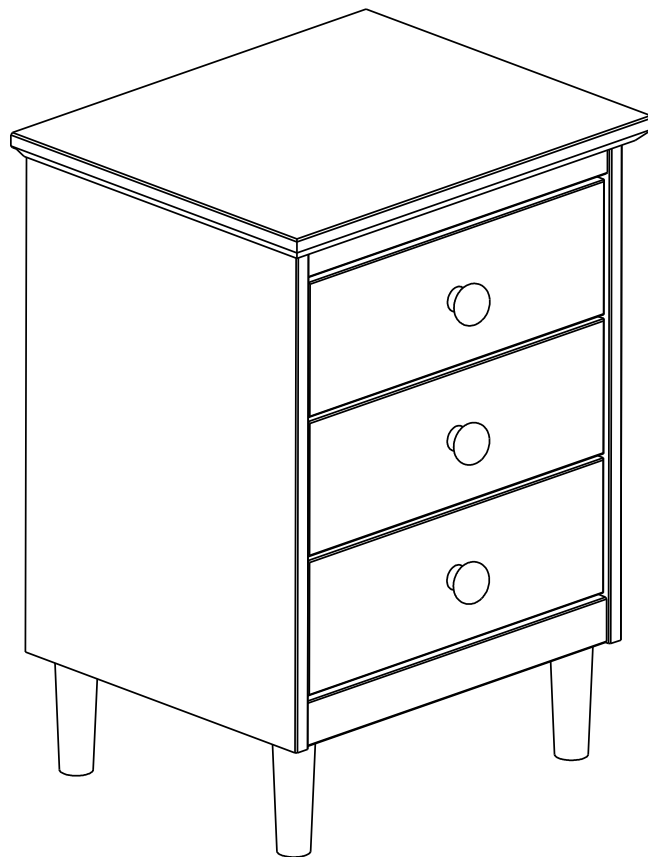
You did it! Enjoy your new nightstand!



Congratulations on you new piece of furniture!

3-Drawer Solid Wood Nightstand

3-Drawer Solid Wood Nightstand



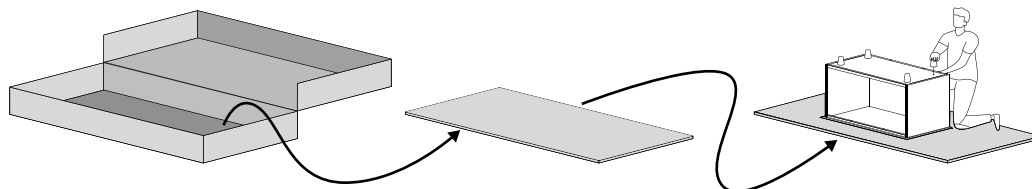
Pour usage résidentiel seulement

Sólo para uso residencial

Il est temps de commencer / Hora de empezar

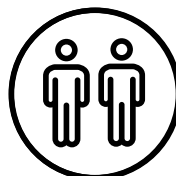
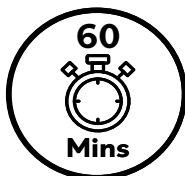
Prépare un lieu de travail propre et souple pour éviter tout dommage lors de l'assemblage. Tu peux utiliser la boîte et les protections internes comme base. Vérifie également que tu disposes de toutes les pièces et parties avant de te lancer dans l'assemblage.

Prepare un lugar de trabajo limpio y blando para evitar daños durante el montaje. Puede utilizar la caja y las protecciones internas como base. Comprueba también que tiene todas las piezas y partes antes de sumergirse en el montaje.



**Temps de montage
estimé**

**Tiempo estimado
de montaje**



2 People Build

**Personnes recommandées
pour le montage**

Fais-en un effort d'équipe !
Appelle un ami pour un assemblage
plus rapide et plus facile.

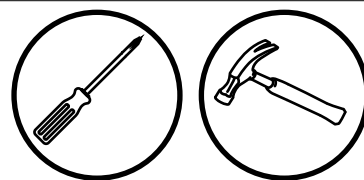
**Personas recomendadas
para el montaje**

¡Hágalo en equipo!
Llame a un amigo para que el montaje
sea más rápido y sencillo.

Outils nécessaires

Herramientas requeridas

Tome un destornillador Phillips et martillo pour conquister ce montage.

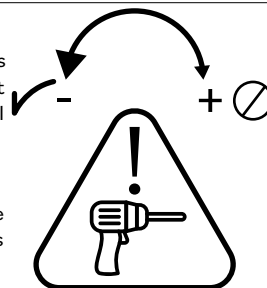


Utilise les outils électriques avec précaution

Ce meuble est réalisé en Bois Massif et Bois Composite, des matériaux souples. Si tu choisis d'utiliser des outils électriques, règle-les sur le mode le plus lent. Fais attention à toi ! Les outils électriques peuvent provoquer des fissures ou endommager les meubles, mais aussi les autres composants s'ils sont mal utilisés.

Utilice las herramientas eléctricas con cuidado.

Este mueble está fabricado con madera maciza y madera compuesta, materiales blandos. Si decide utilizar herramientas eléctricas, ajústelas al ajuste más lento. Tenga cuidado. Las herramientas eléctricas pueden causar grietas o daños en el mueble, pero también en los herrajes si se utilizan mal.

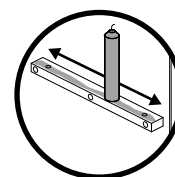


Attention avec la glissière

Tes meubles possèdent des glissières en bois très résistantes. De temps en temps, nous recommandons d'appliquer de la paraffine ou de la cire de bougie standard pour améliorer la glisse des curseurs.

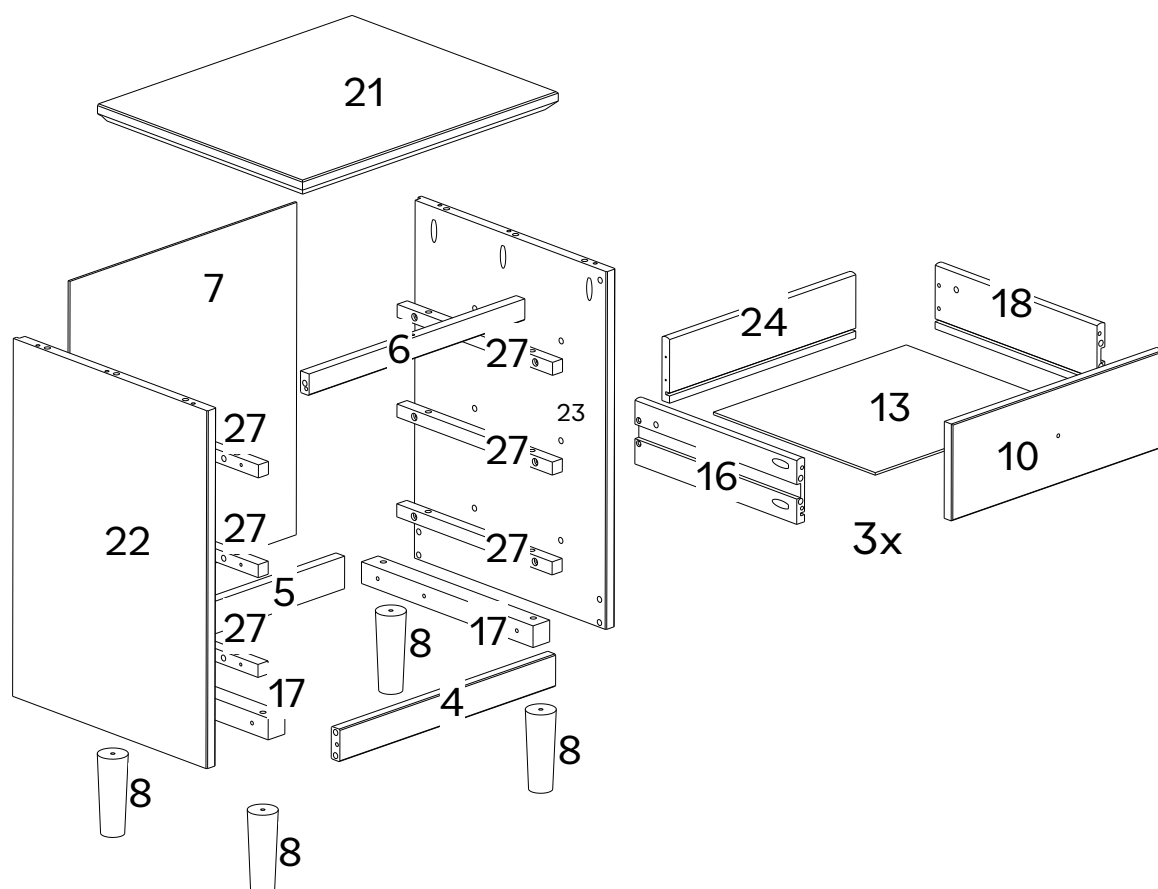
Cuidado con las guías

Tus muebles cuentan con guías de madera de alta durabilidad. De vez en cuando, recomendamos la aplicación de parafina o cera estándar para mejorar el deslizamiento de los deslizadores.

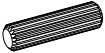

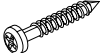

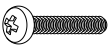
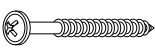
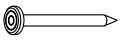

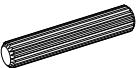
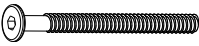



Liste de pièces / Lista de piezas

Nombre de pièces Número de pieza	Description Descripción	Quantité Cantidad
4	Bottom front crossbeam Bottom front crossbeam	1
5	Back crossbeam Back crossbeam	1
6	Upper front crossbeam Upper front crossbeam	1
7	Back panel Back panel	1
8	Foot Foot	4
10	Front drawer Front drawer	3
13	Drawer bottom Drawer bottom	3
16	Left side drawer Left side drawer	3
17	Foot crossbeam Foot crossbeam	2
18	Right drawer side Right drawer side	3
21	Top panel Top panel	1
22	Left side panel Left side panel	1
23	Right side panel Right side panel	1
24	Drawer back Drawer back	3
27	Drawer runner Drawer runner	6



Liste de composants / Lista de hardware

Partie Parte	Taille Tamaño	Nom Nombre	Quantité Cantidad
A 	8x30mm	Wooden dowel Wooden dowel	35
B 	10x20mm	Wooden dowel Wooden dowel	12
C 	4x25mm	Screw Screw	18
D 	3,5x30mm	Screw Screw	37
E 	M4x22mm	Screw Screw	03
F 	4,5x45mm	Screw Screw	08
G 	10x10mm	Nail Nail	16
H 		Knob Knob	3
I 	8x40mm	Wooden dowel Wooden dowel	6
J 	7x80mm	Screw Screw	4
K 	4mm	Hex Key Hex Key	1

*Les quantités de composants indiquées ci-dessus sont nécessaires pour un assemblage correct.
Des pièces supplémentaires peuvent être incluses.*

*Las cantidades de tornillería indicadas anteriormente son necesarias para un montaje correcto.
Se pueden incluir piezas de ferretería adicionales.*

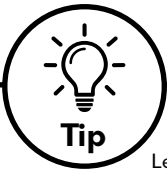
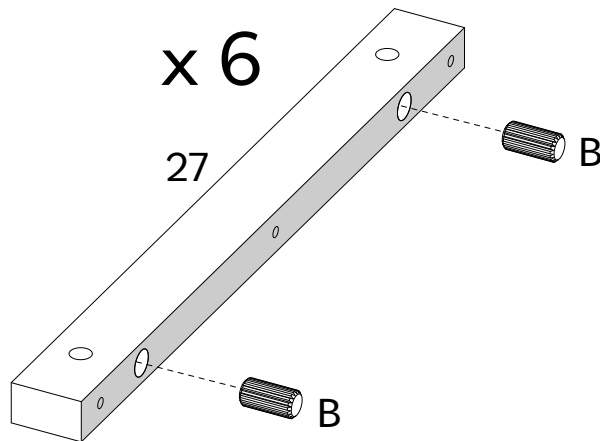
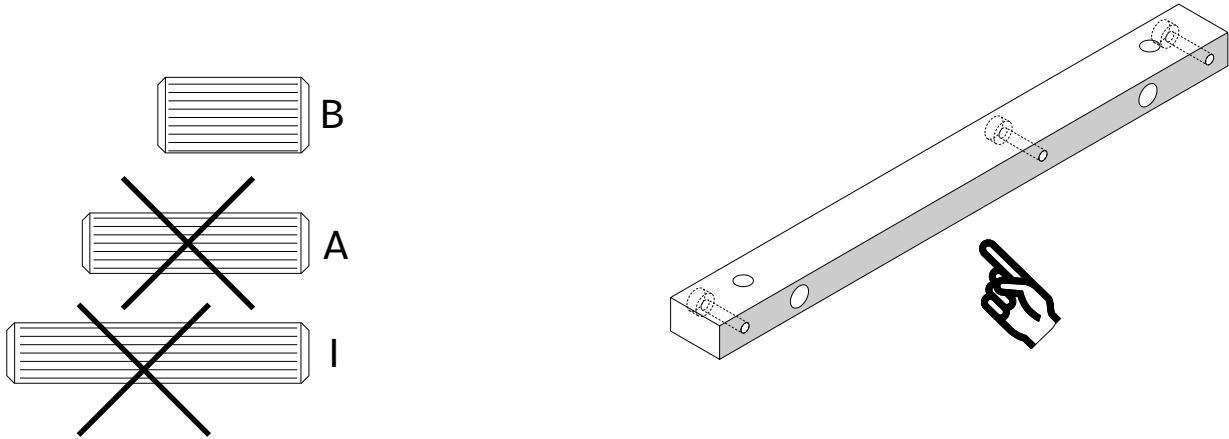
Étape / Paso 1

(FR)

Let's get started! Insert the (B) Wooden dowels into each Wood Slider (27).

(ESP)

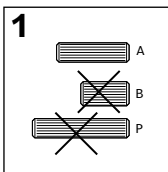
Let's get started! Insert the (B) Wooden dowels into each Wood Slider (27).



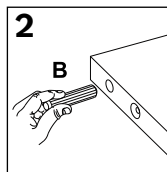
Tip

Cheville en bois

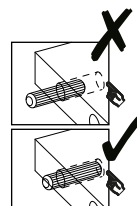
Les chevilles sont essentielles lors de l'assemblage de meubles pour créer des connexions solides et précises. Elles garantissent l'intégrité structurelle, empêchent les déplacements et simplifient l'alignement, ce qui permet d'obtenir des meubles plus résistants et plus durables. suis ces étapes :



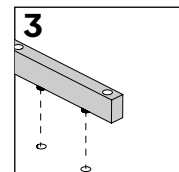
- 1: Sélectionne la taille de cheville appropriée en fonction de l'étape.
- 1: Seleccione el tamaño de espiga adecuado según el paso.



- 2: Insère dans le trou indiqué et appuie fermement pour assurer un positionnement correct.
- 2: Insértela en el orificio indicado y presione firmemente para asegurar su correcta colocación.



Sigue estos pasos:



- 3: Alinee la cheville avec la pièce correspondante et enfonce-la jusqu'à ce qu'elle soit ferme.
- 3: Alinee el pasador con la pieza correspondiente y presiónelo hasta que encaje.

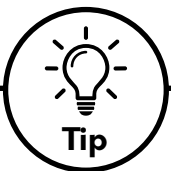
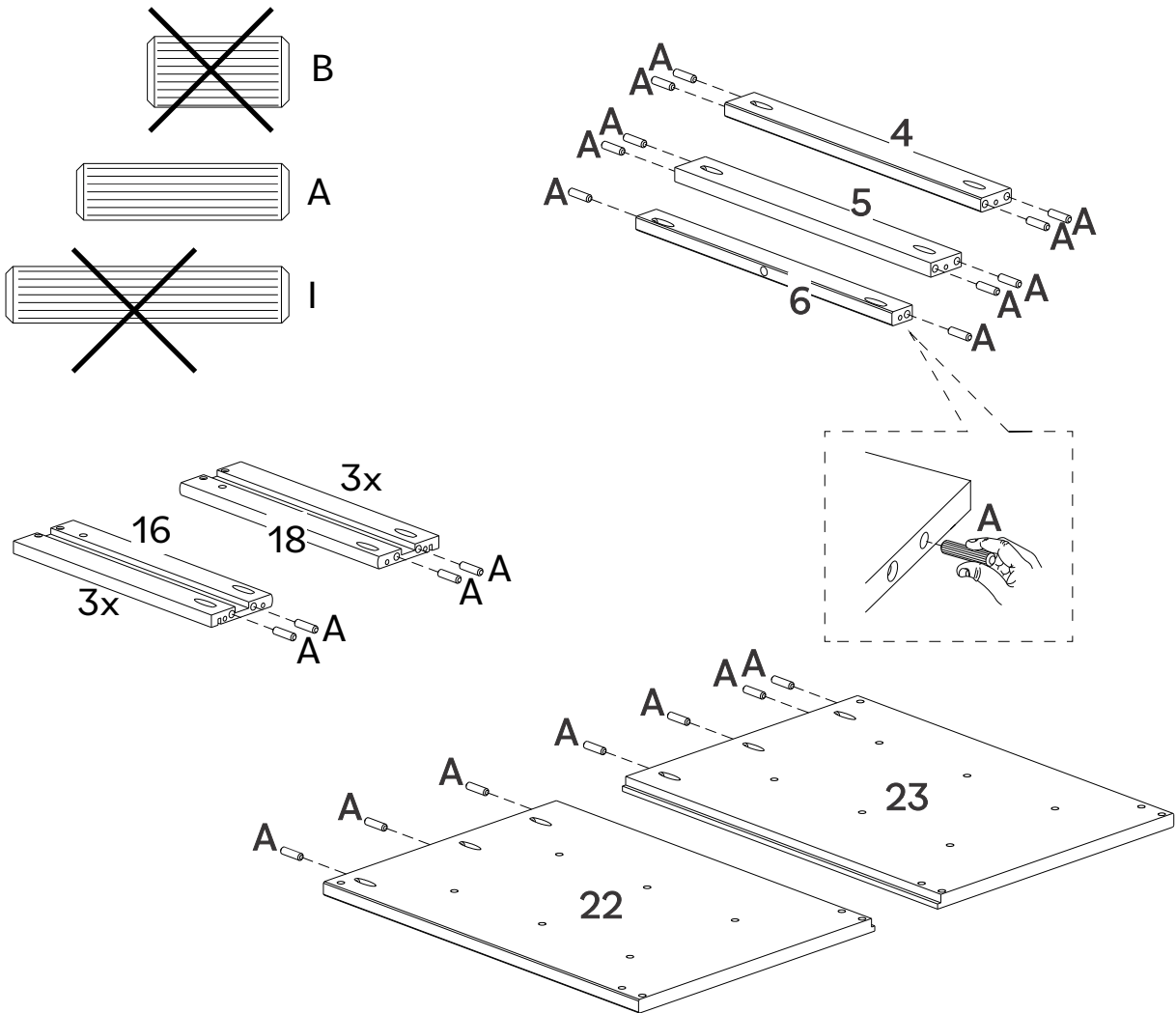
Étape / Paso 2

(FR)

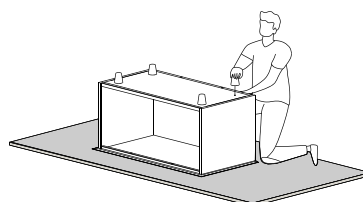
Insert the (A) Wooden dowels into the Bottom front crossbeam(4), Back crossbeam(5), Upper front crossbeam(6), Left side drawer(16), Right drawer side(18), Left side panel(22) and the Right side panel(23).

(ESP)

Insert the (A) Wooden dowels into the Bottom front crossbeam(4), Back crossbeam(5), Upper front crossbeam(6), Left side drawer(16), Right drawer side(18), Left side panel(22) and the Right side panel(23).



Pour que ton produit conserve son meilleur aspect et sans rayures, essaie de le monter sur une surface souple telle qu'un tapis ou une couverture. Cela permet d'éviter les rayures accidentelles et de garder tes meubles en bon état !



Para mantener su producto con el mejor aspecto y sin arañazos, pruebe a montarlo sobre una superficie blanda, como una alfombra o una manta. Así evitará arañazos accidentales y mantendrá sus muebles en perfecto estado.

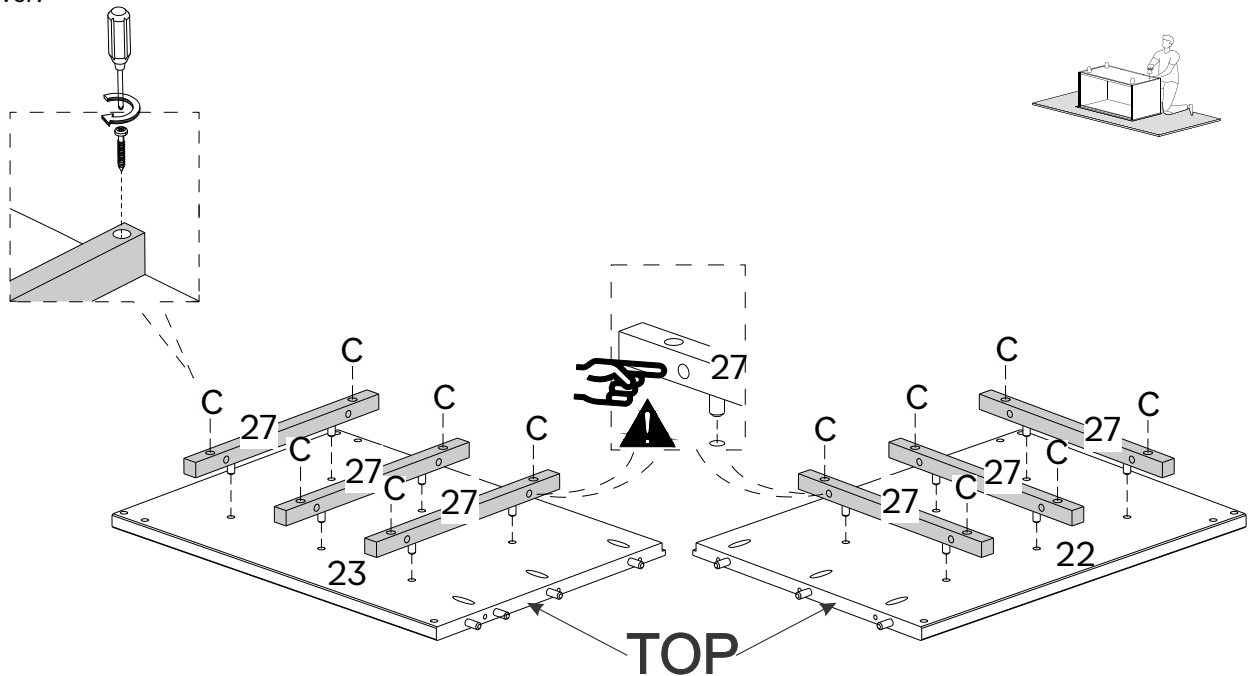
Étape / Paso 3

(FR)

Next, attach the Wood Sliders (27) to the Left Panel (22) and the Right Panel (23) using the (C) Screws. Tighten with a screwdriver.

(ESP)

Next, attach the Wood Sliders (27) to the Left Panel (22) and the Right Panel (23) using the (C) Screws. Tighten with a screwdriver.



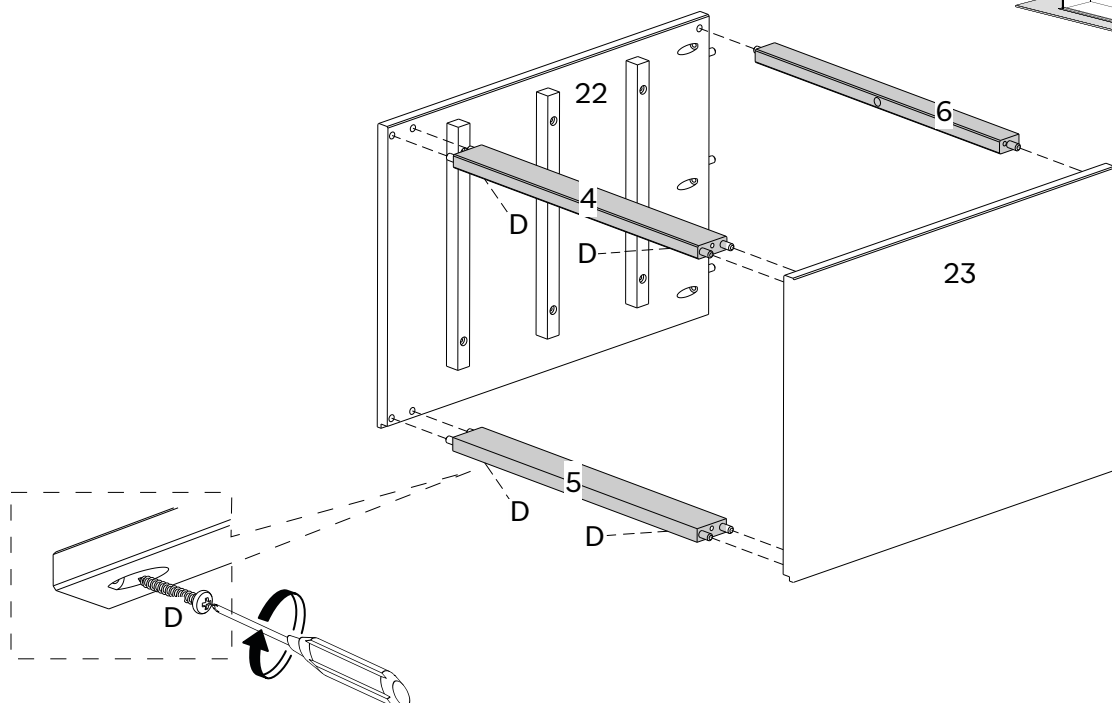
Étape / Paso 4

(FR)

Secure Bottom front crossbeam(4), Back crossbeam(5), Upper front crossbeam(6) to Left side panel (22) and Right side panel (23). Using screw (D) and Phillips head screwdriver.

(ESP)

Secure Bottom front crossbeam(4), Back crossbeam(5), Upper front crossbeam(6) to Left side panel (22) and Right side panel (23). Using screw (D) and Phillips head screwdriver.



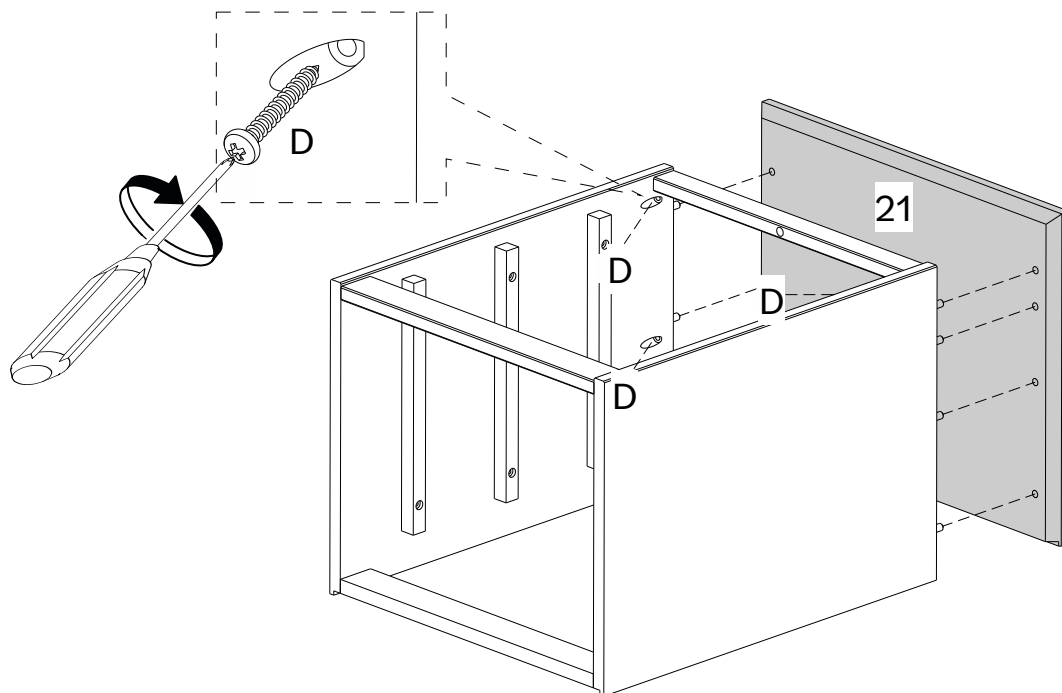
Étape / Paso 5

(FR)

Use screw (D) to attach Top panel (21) to body.

(ESP)

Use screw (D) to attach Top panel (21) to body.



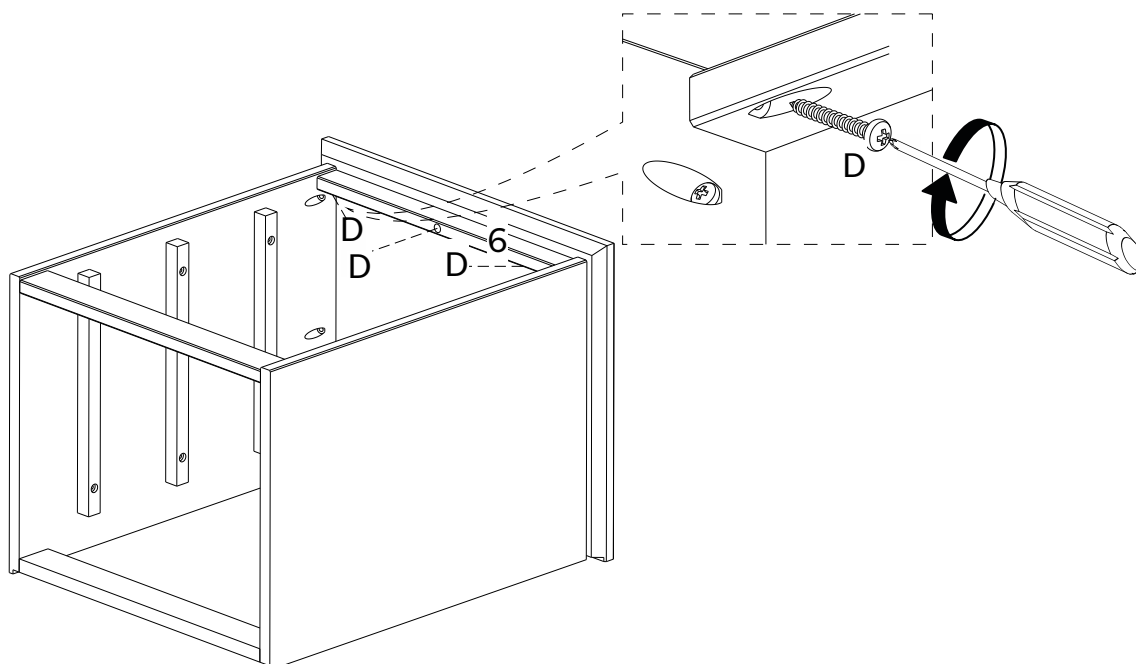
Étape / Paso 6

(FR)

Use screw (D) to attach Upper front crossbeam(6) to body.

(ESP)

Use screw (D) to attach Upper front crossbeam(6) to body.



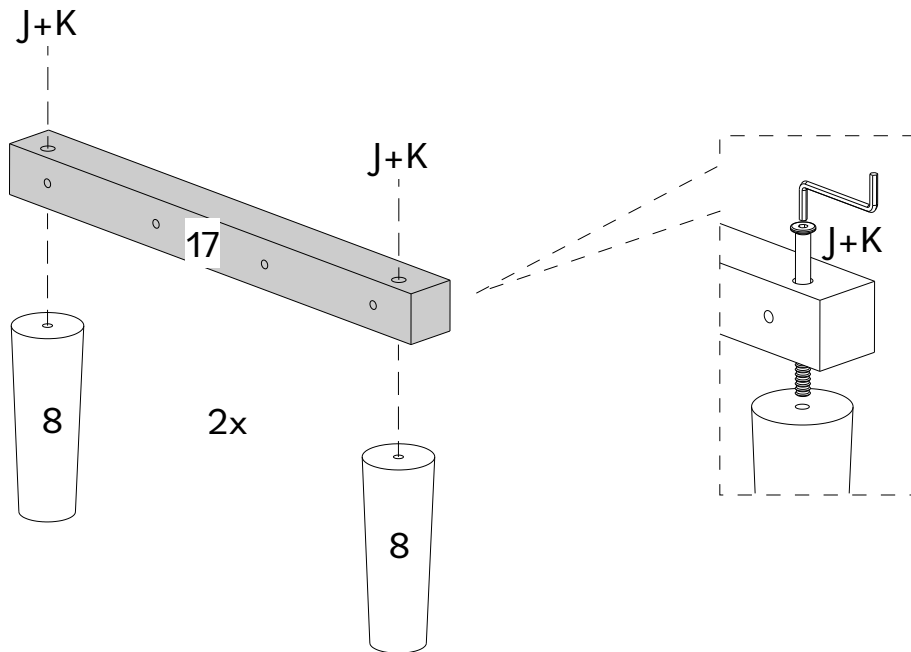
Étape / Paso 7

(FR)

Secure foot crossbeam (17) to foot (8) with screw (J) and hex key (K).

(ESP)

Secure foot crossbeam (17) to foot (8) with screw (J) and hex key (K).



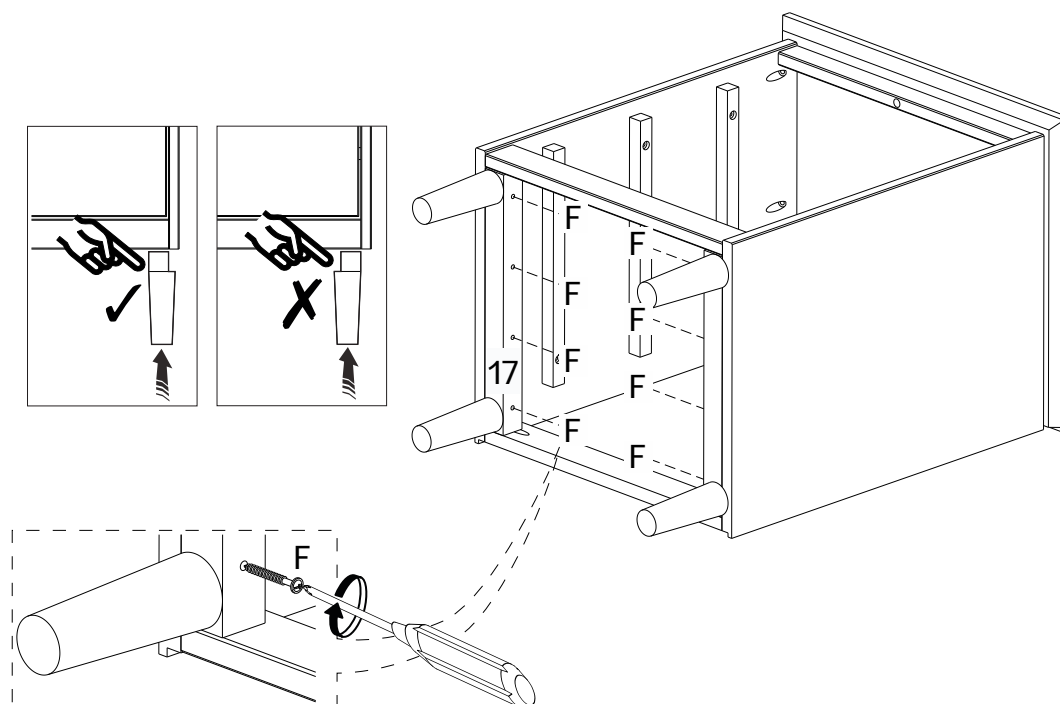
Étape / Paso 8

(FR)

Use screw (F) and Phillips screwdriver to secure foot crossbeam (17) to the body.

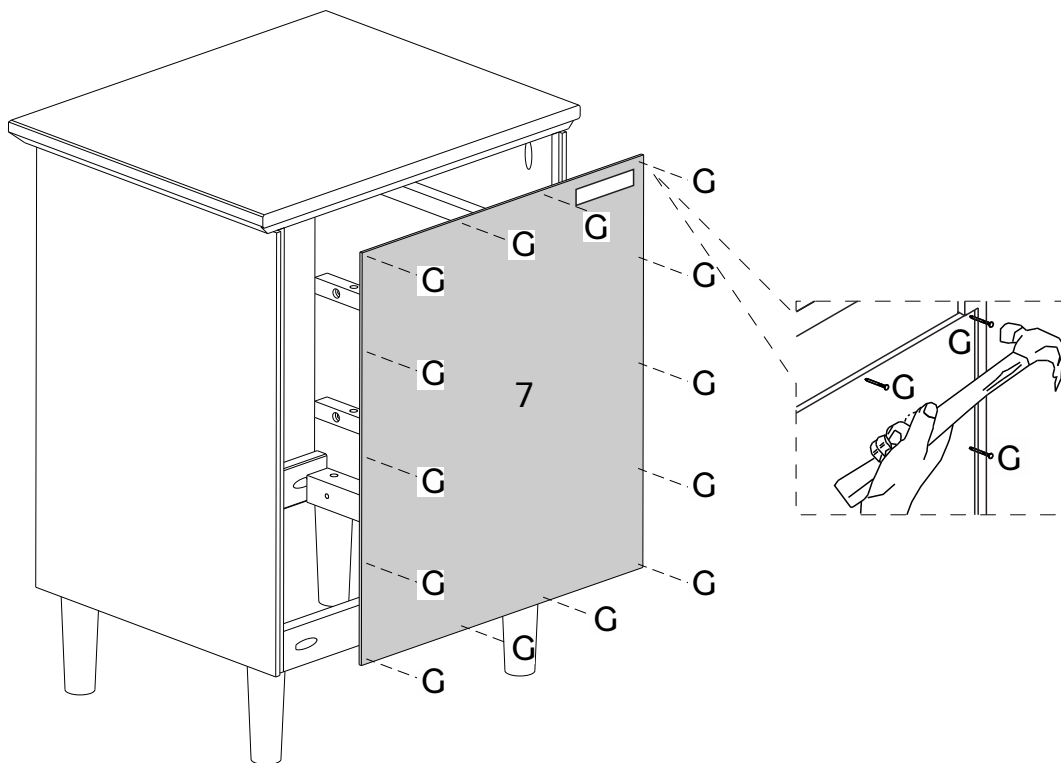
(ESP)

Use screw (F) and Phillips screwdriver to secure foot crossbeam (17) to the body.



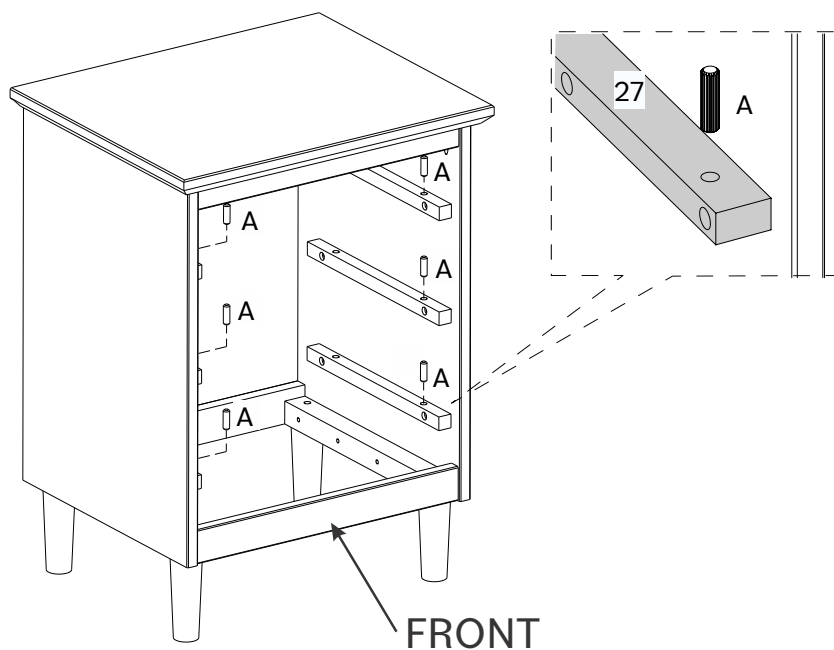
Étape / Paso 9

(FR)
Secure back panel (7) to body with nails (G).
(ESP)
Secure back panel (7) to body with nails (G).



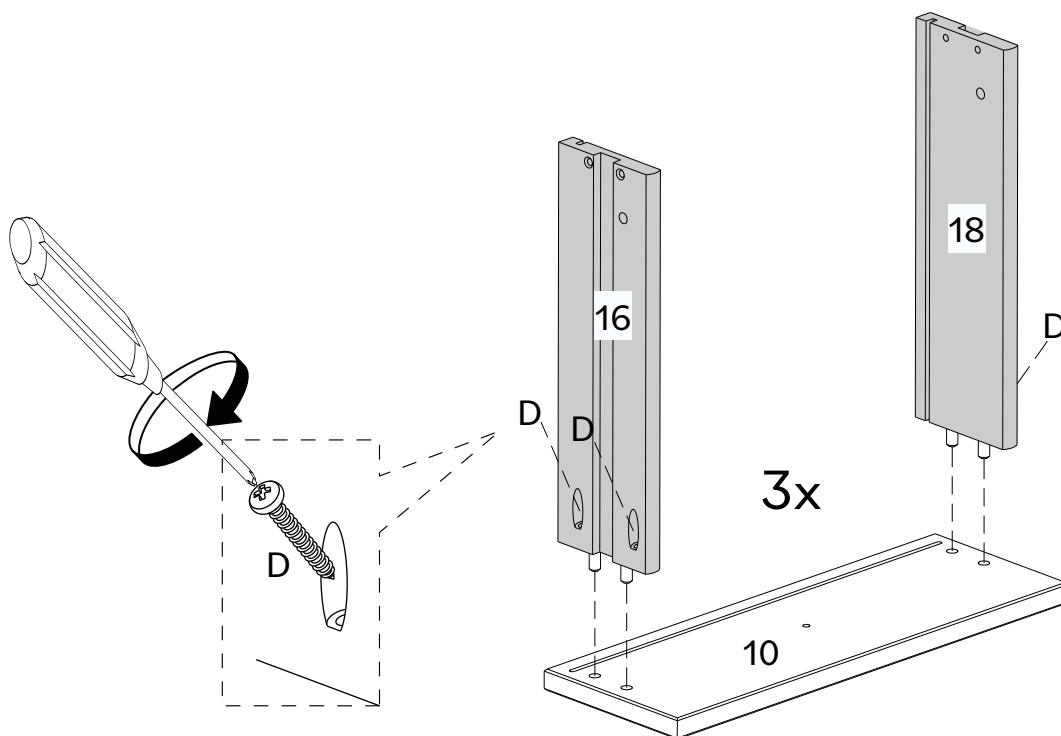
Étape / Paso 10

(FR)
Insert Wooden dowels (A) into Drawer runner(27).
(ESP)
Insert Wooden dowels (A) into Drawer runner(27).



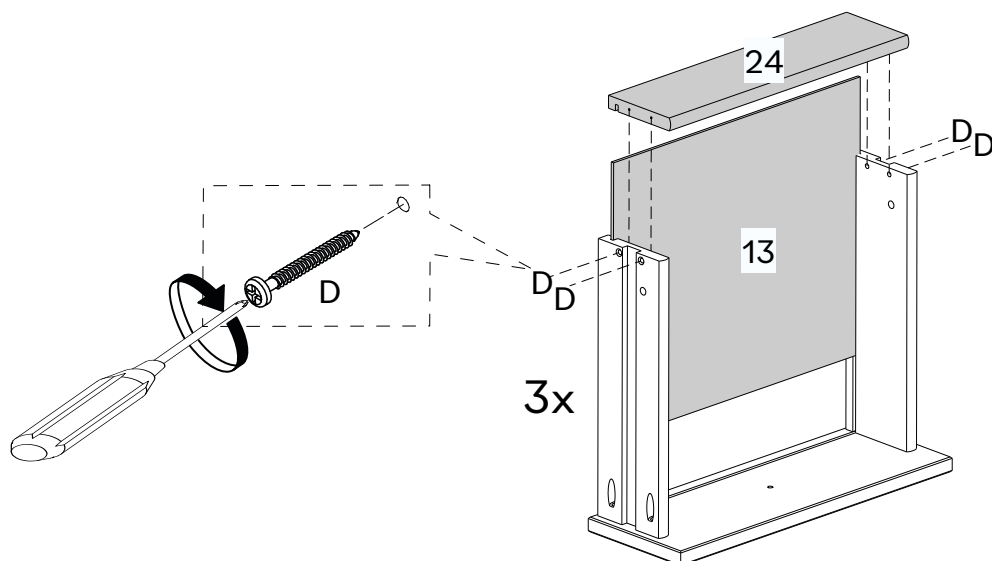
Étape / Paso 11

(FR)
Secure Left side drawer(16) and Right drawer side(18) to front drawer(10) with screw (D) and Phillips head screwdriver.
(ESP)
Secure Left side drawer(16) and Right drawer side(18) to front drawer(10) with screw (D) and Phillips head screwdriver.



Étape / Paso 12

(FR)
Insert drawer bottom(13)between Left side drawer(16) and Right drawer side(18). Attach Drawer back(24) to Left side drawer(16)front and Right drawer side(18) with screws (D) and Phillips head screwdriver.
(ESP)
Insert drawer bottom(13)between Left side drawer(16) and Right drawer side(18). Attach Drawer back(24) to Left side drawer(16)front and Right drawer side(18) with screws (D) and Phillips head screwdriver.



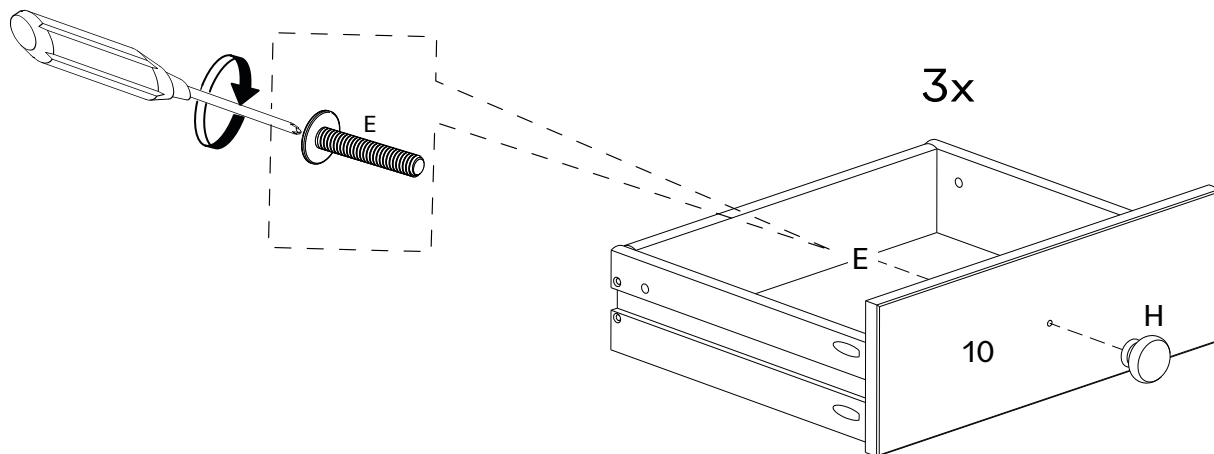
Étape / Paso 13

(FR)

Attach the handle (H) to front drawer(10) with screw (E) and Phillips screwdriver.

(ESP)

Attach the handle (H) to front drawer(10) with screw (E) and Phillips screwdriver.



Étape / Paso 14

(FR)

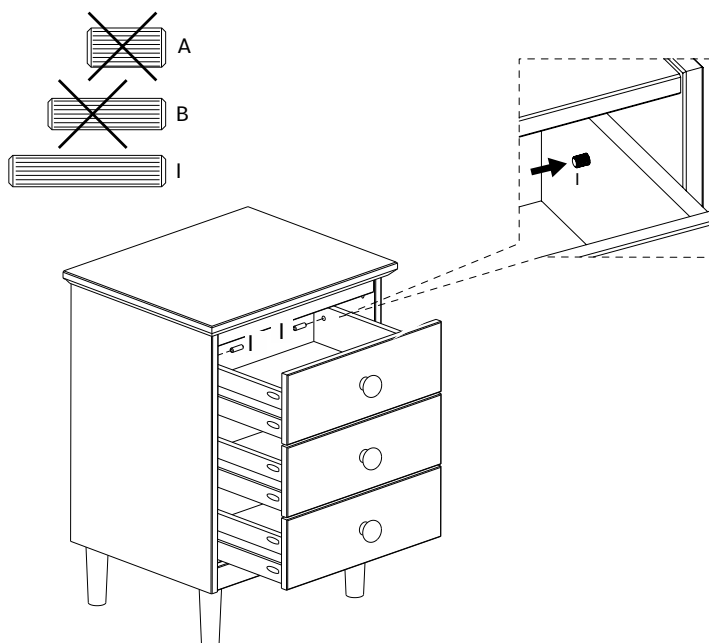
Insert wood dowel (I) on the inside of all drawers, with the drawer inside the unit after having passed the wood dowel that is in the drawer slide.

The dowel is not flush with the panel, it is a little inside the drawer to help when you need to remove the lock dowel to remove the drawer.

(ESP)

Insert wood dowel (I) on the inside of all drawers, with the drawer inside the unit after having passed the wood dowel that is in the drawer slide.

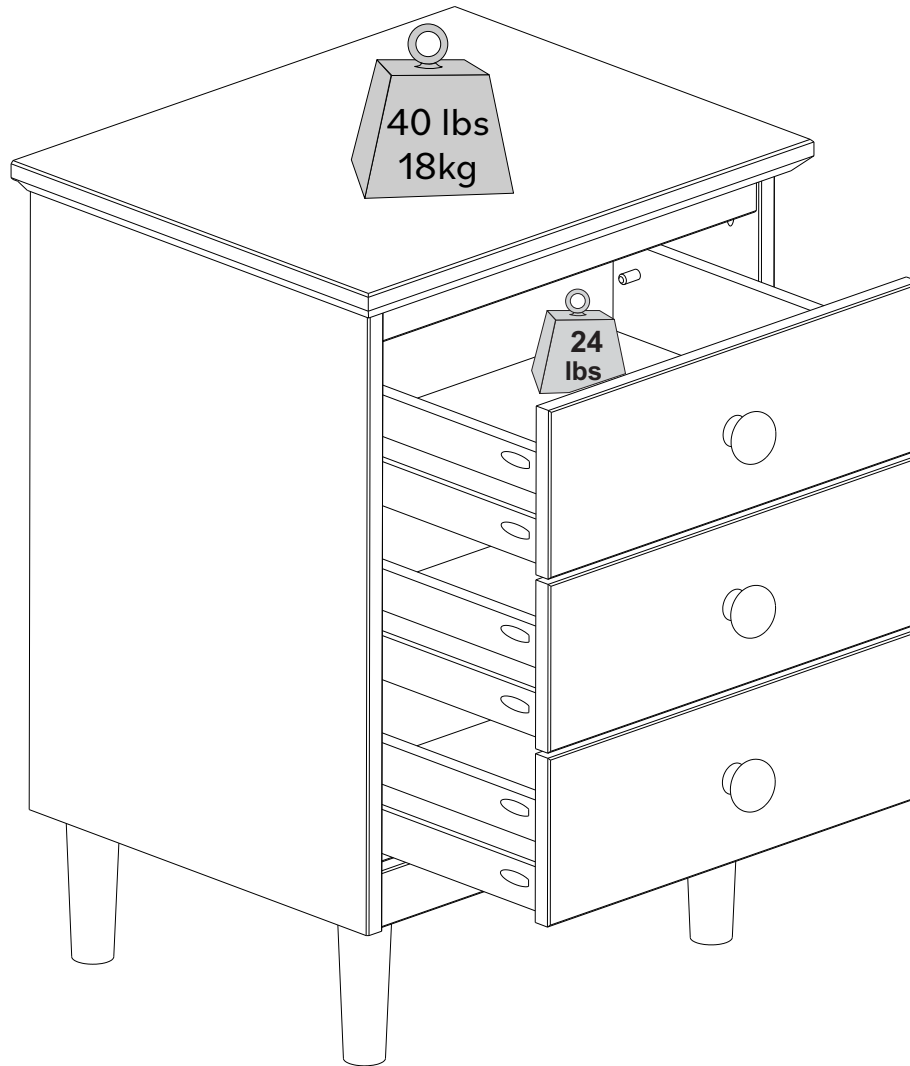
The dowel is not flush with the panel, it is a little inside the drawer to help when you need to remove the lock dowel to remove the drawer.



Tu as réussi ! Profite de ton nouveau nightstand!

¡Lo ha conseguido!

¡Disfrute de su nueva nightstand!



Bravo pour ton nouveau meuble !

¡Enhorabuena por sus nuevos muebles!