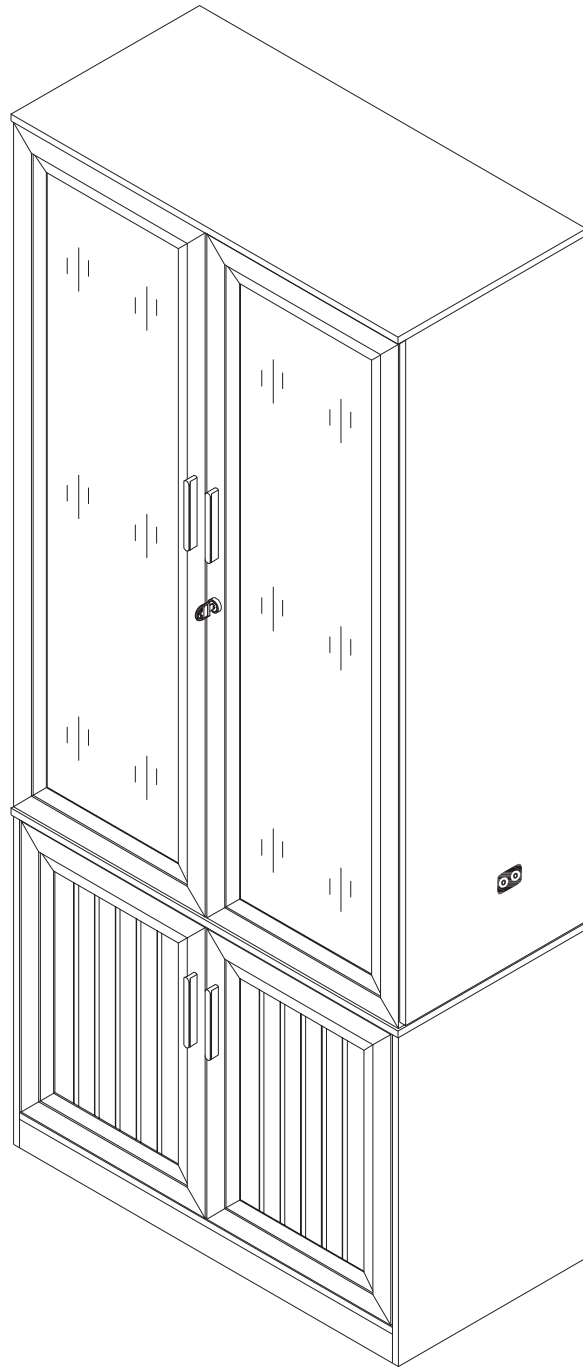
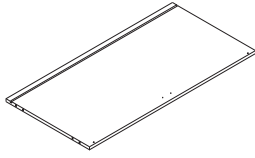
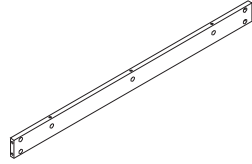


# Product Installation Instructions





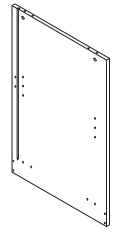
1x1



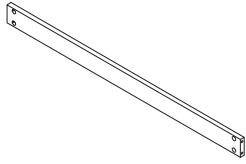
2x2



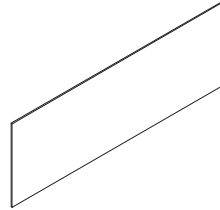
3x1



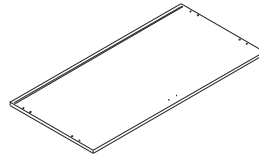
4x1



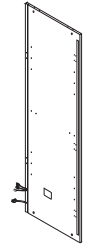
5x3



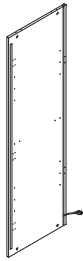
6x2



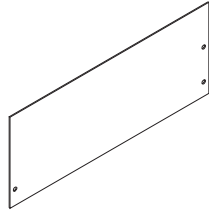
7x1



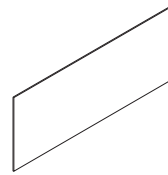
8x1



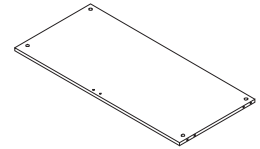
9x1



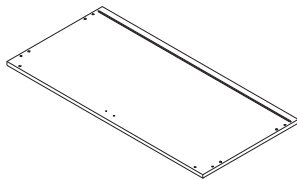
10x1



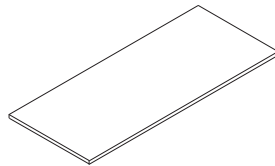
11x3



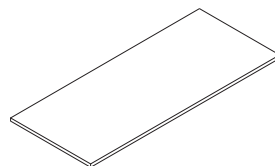
12x1



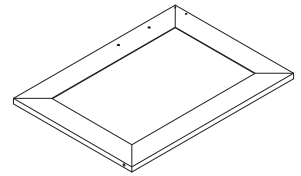
13x1



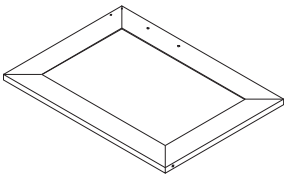
14x1



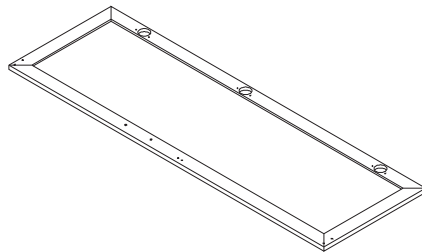
15x2



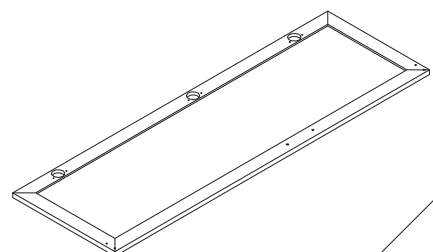
16x1



17x1



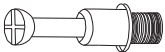

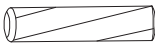




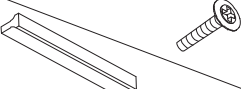
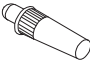

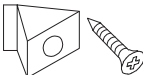

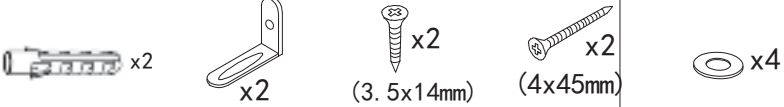
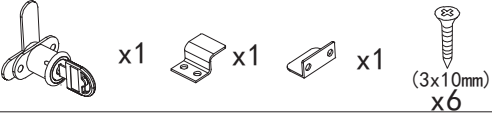
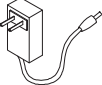
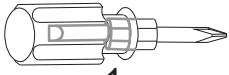
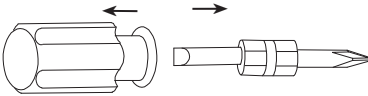

18x1



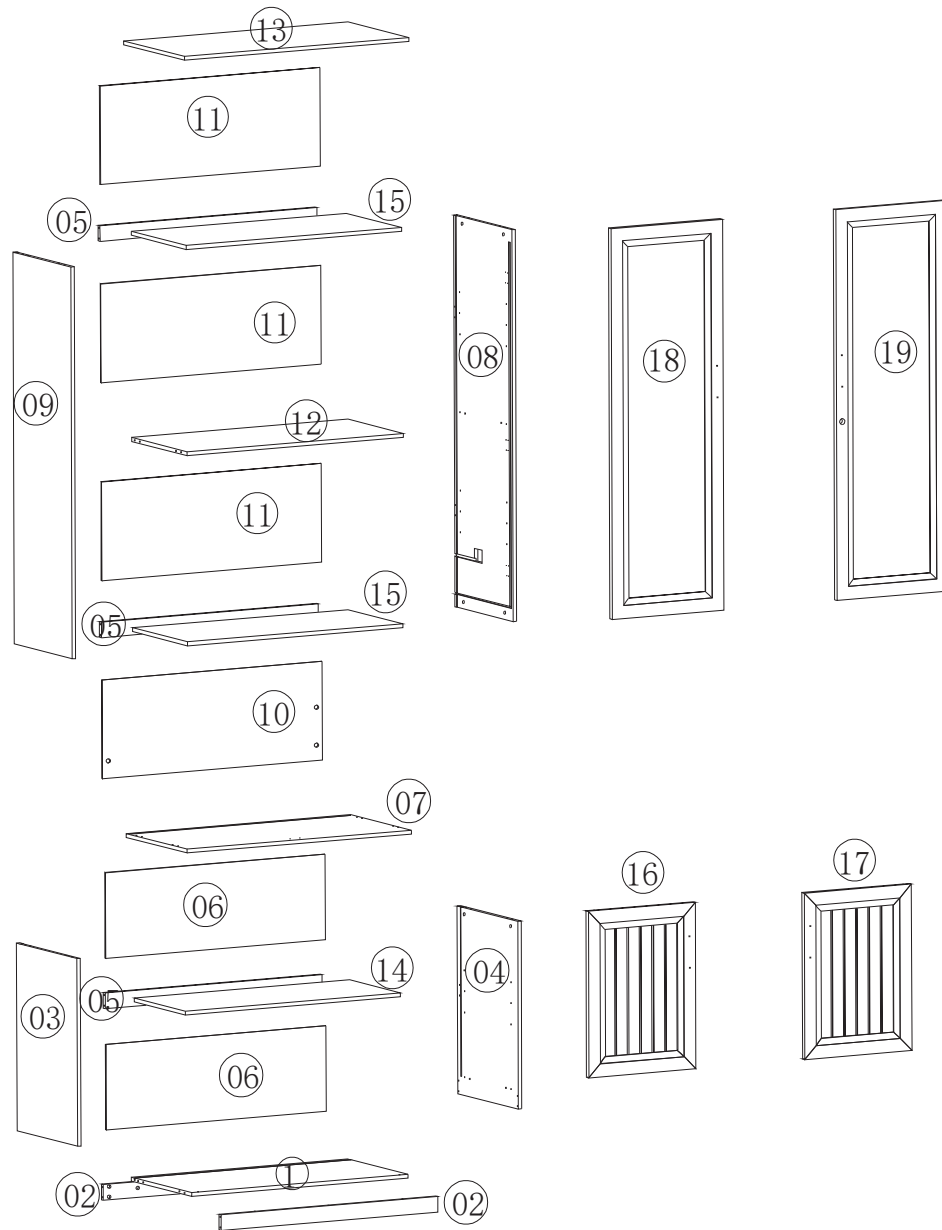
19x1



1

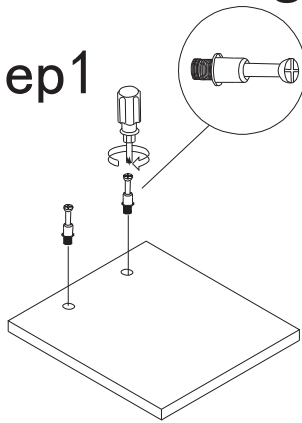
<b>A</b>		Two in one screw (6x28mm)	46pcs +4pcs
<b>B</b>		Two in one nut (10x12mm)	46pcs +4pcs
<b>C</b>		Wood chipping (6x30mm)	20pcs +4pcs
<b>D</b>		Non-slip pads (50x10)	6pcs
<b>E</b>		Magnetic attraction Screw (3x16mm)	6pcs +1pcs 3pcs
<b>F</b>		Iron sheet Screw (3x10mm)	12pcs +1pcs 6pcs
<b>G</b>		Laminate support nail	12pcs +1pcs
<b>H</b>		Handle & Screw (4x20mm)	8pcs +2pcs 4pcs
<b>J</b>		Door shaft	4pcs +1pcs
<b>K</b>		Hinge & Screw (3.5x14mm)	36pcs +6pcs 6pcs
<b>L</b>		Fixing clip & screw (3x16mm)	20pcs +2pcs
<b>M</b>		Wire clamp	3pcs +1pcs
<b>N</b>	Anti Fall Hardware	 x2 x2 (3.5x14mm) x2 (4x45mm) x4	
<b>O</b>	door lock	 x1 x1 x1 (3x10mm) x6	
		AC/DC Adapter (12V=3.0A)	1pcs
<p style="text-align: center;">Double-head screwdriver, use as required</p> <div style="display: flex; justify-content: center; align-items: center;">   </div> <p style="text-align: center;">1pcs</p> <div style="text-align: right; margin-top: 20px;">  </div>			

# Product structure decomposition

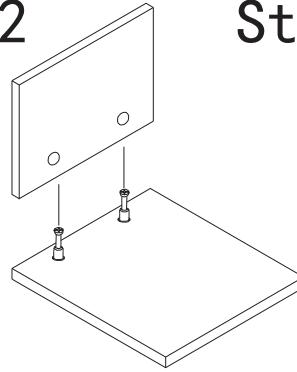


# Use parts A and B

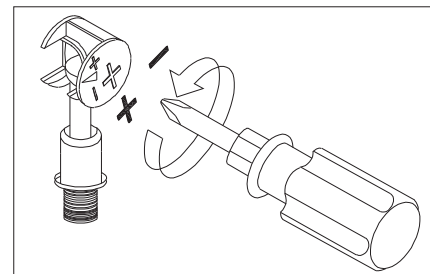
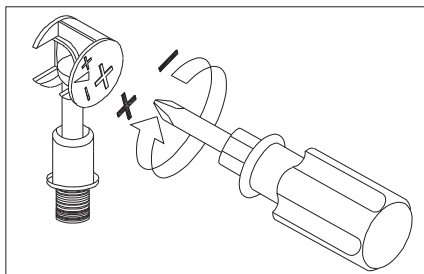
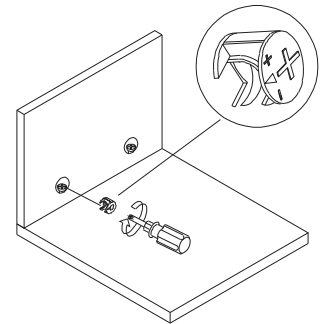
Step1



Step2



Step3

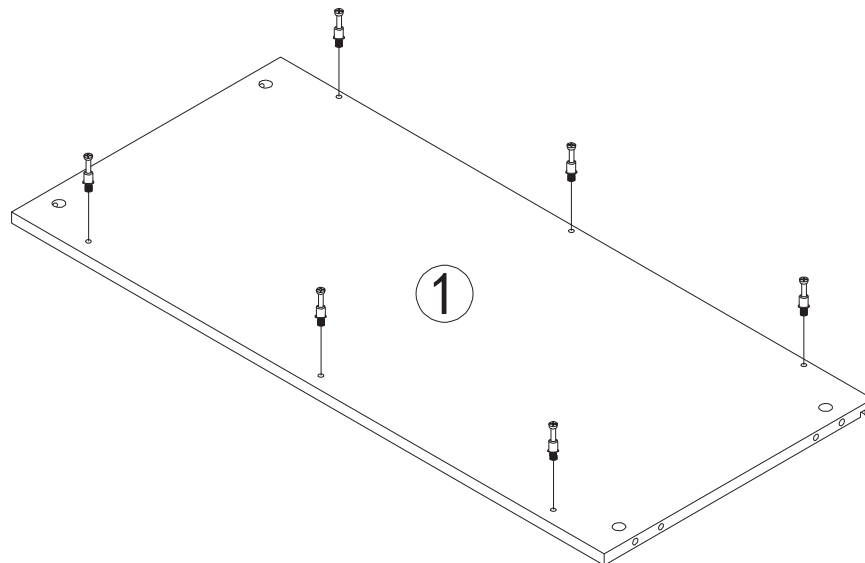
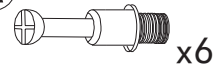


Use a screwdriver to lock in the direction of the "+" sign

Disassemble along the direction of "-" sign

Step 1

A



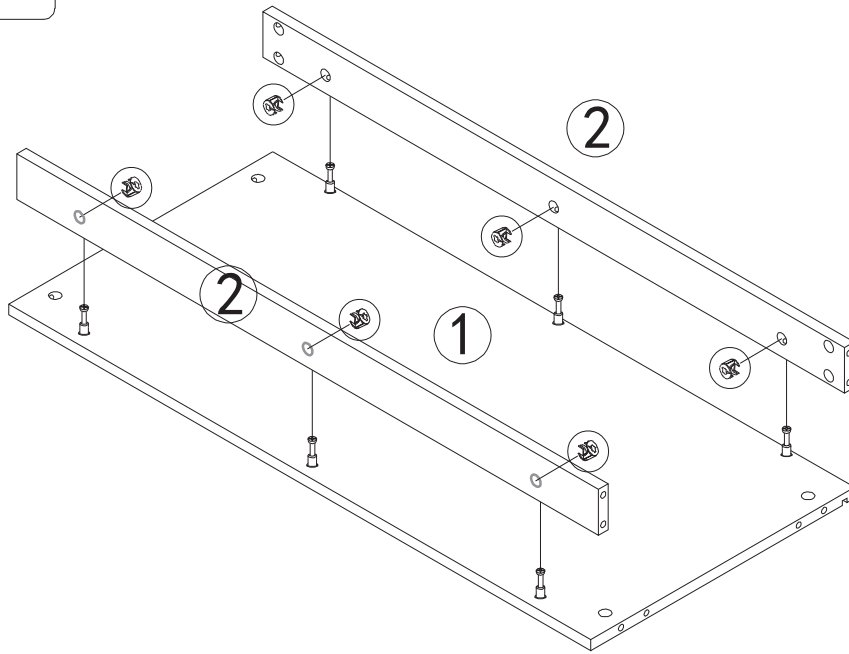
4

Step 2

B

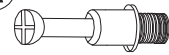


x6

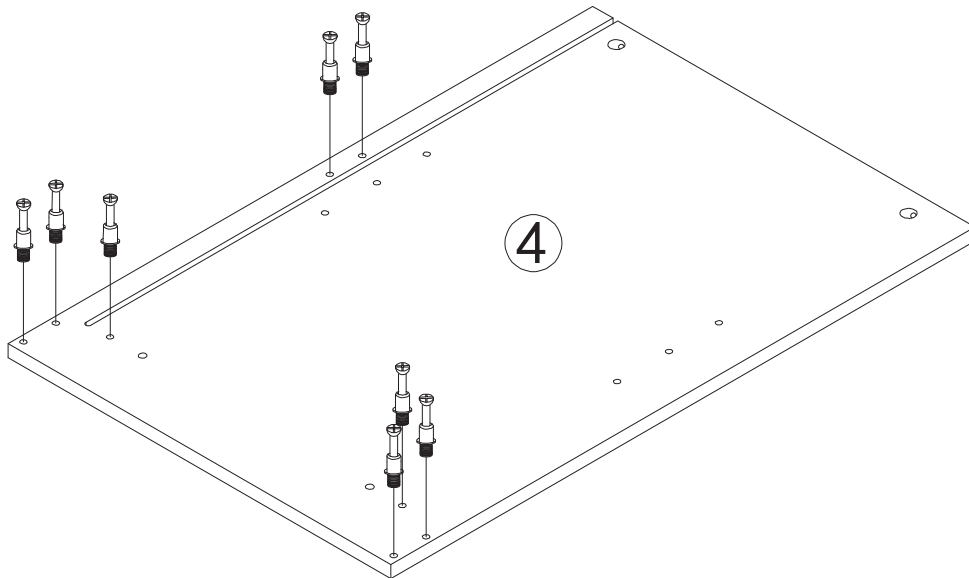


Step 3

A

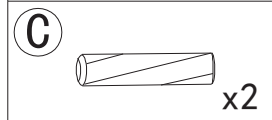
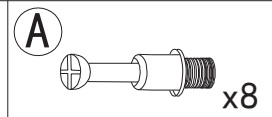
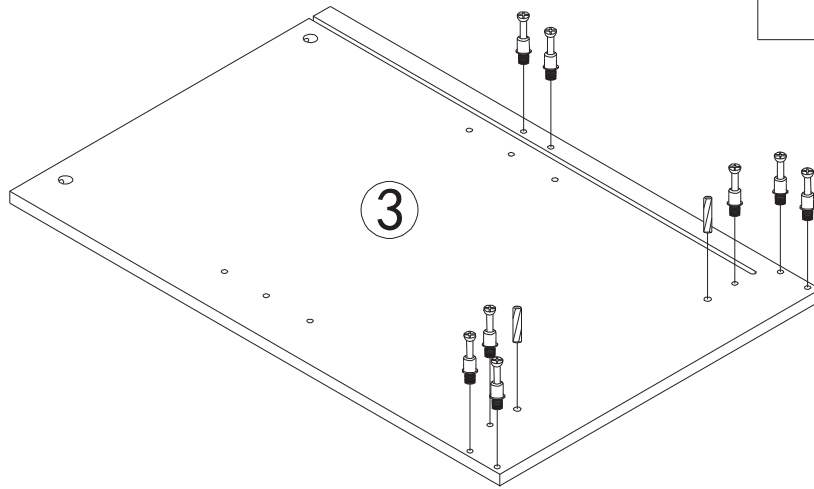


x8

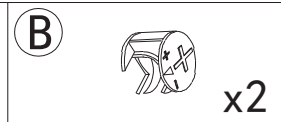
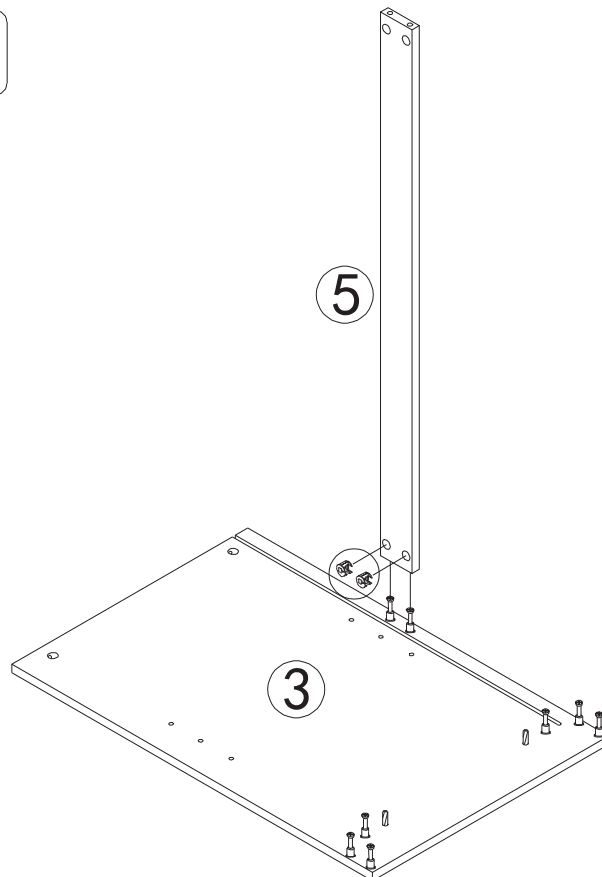


5

Step 4

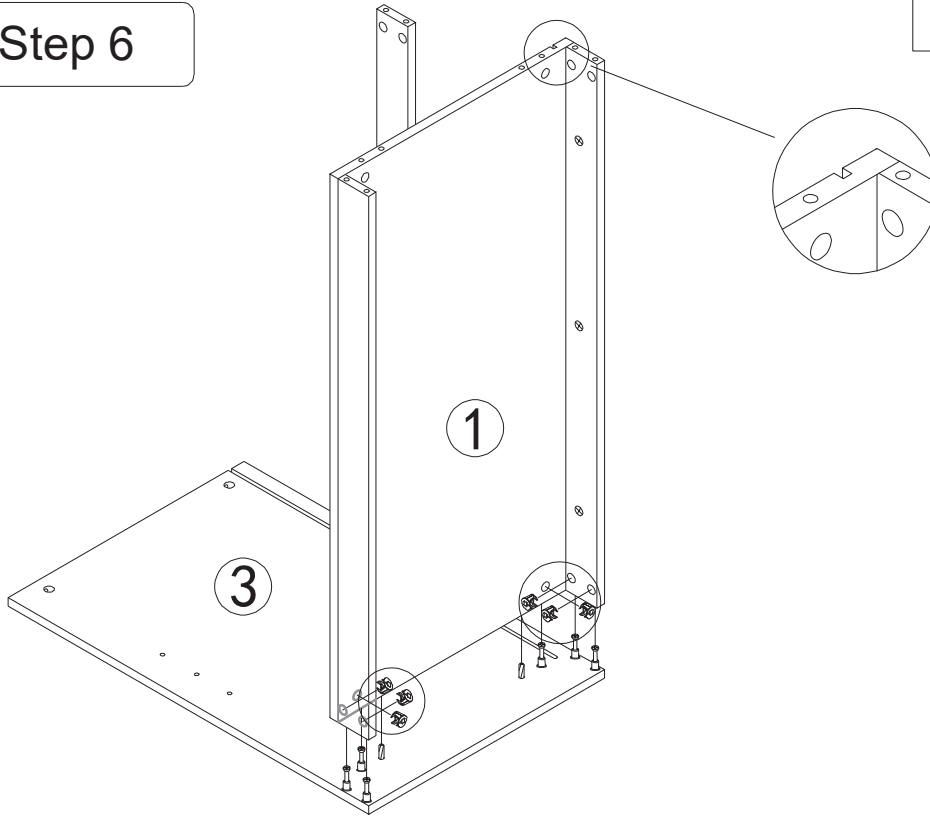


Step 5



6

Step 6

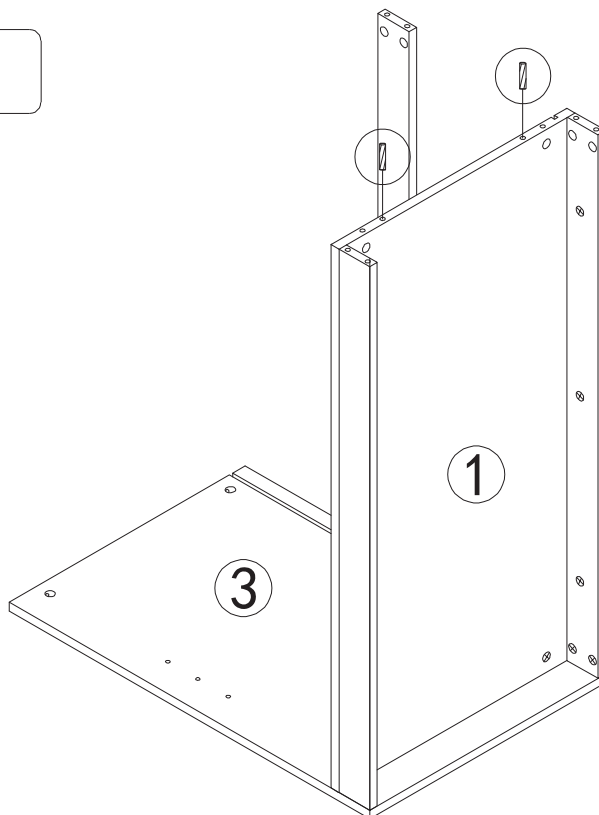


B

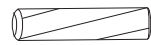


x6

Step 7



C



x2

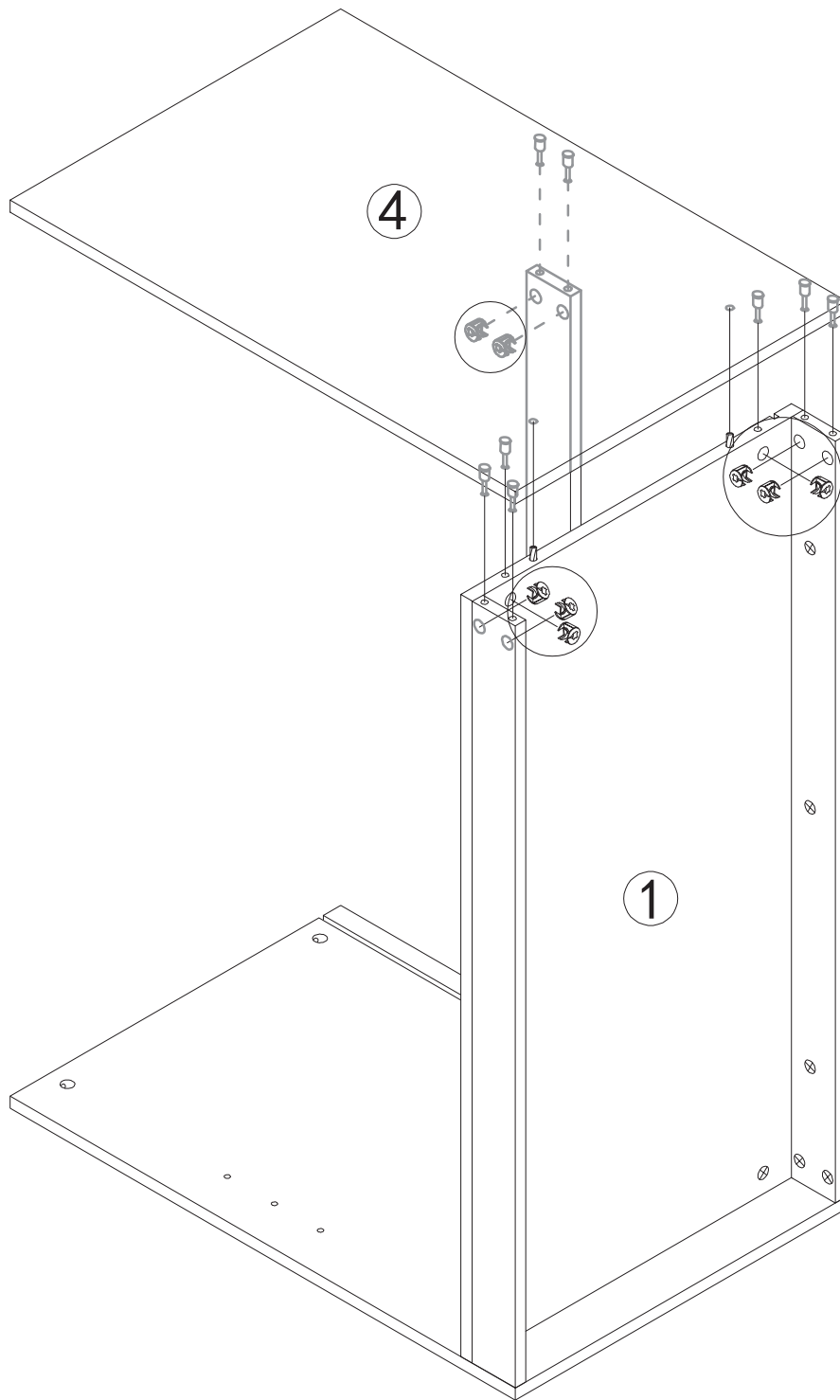
7

Step 8

B



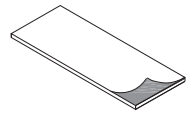
x8



8

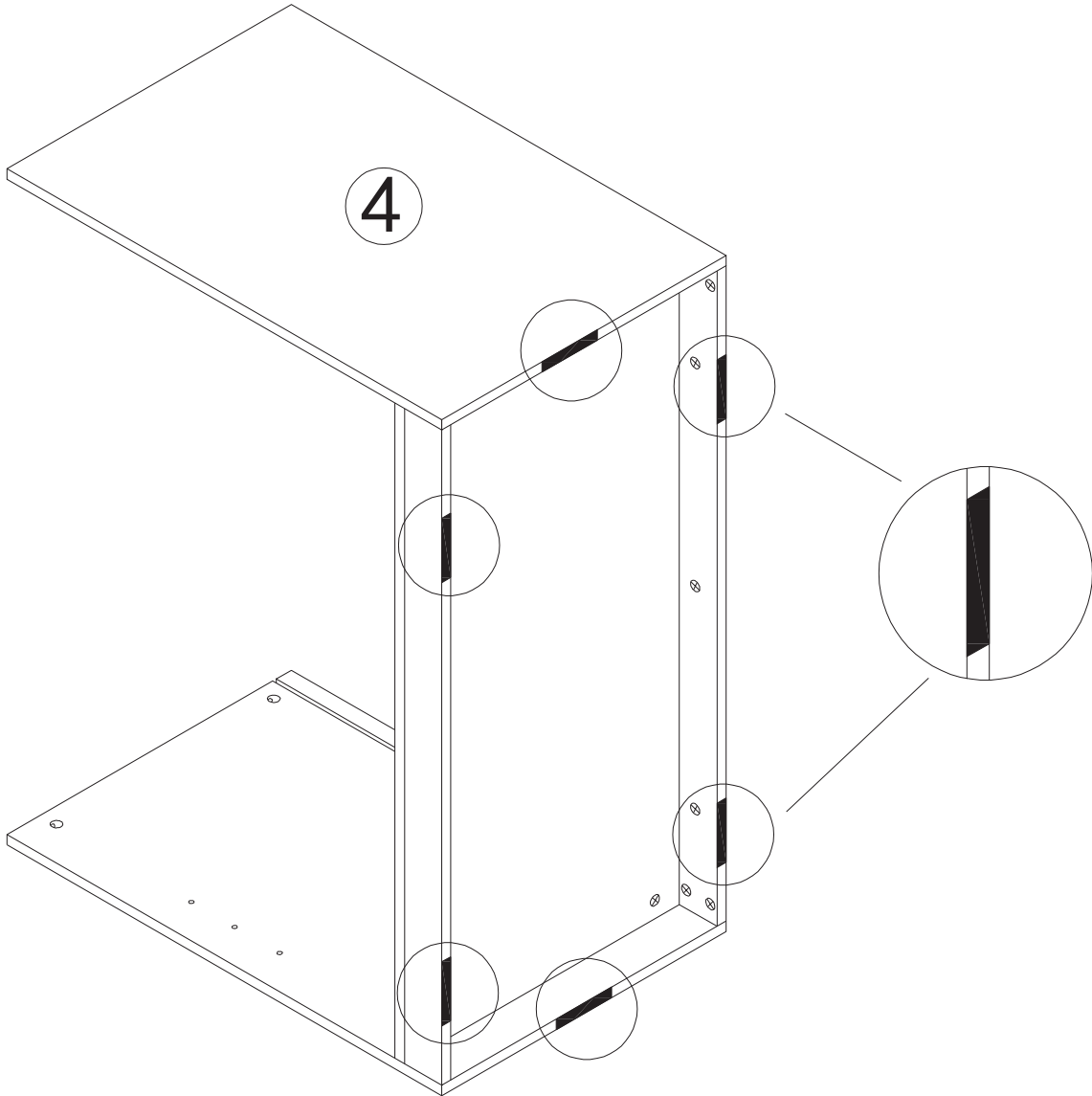
Step 9

D

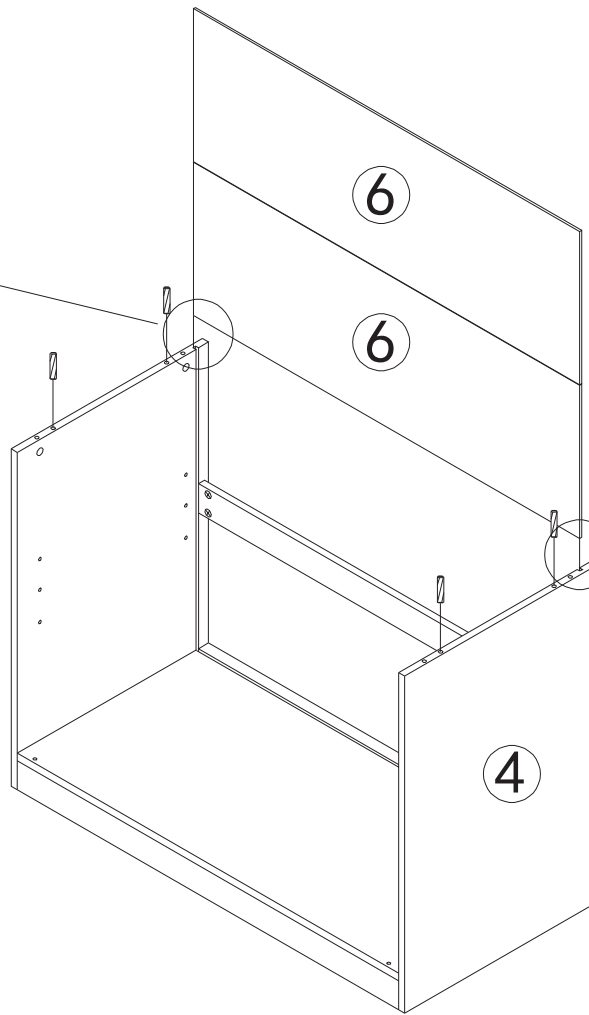
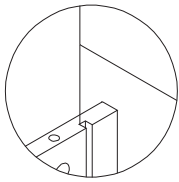


x6

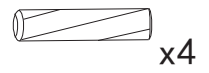
Tear off release paper and stick the black foot pad on the board



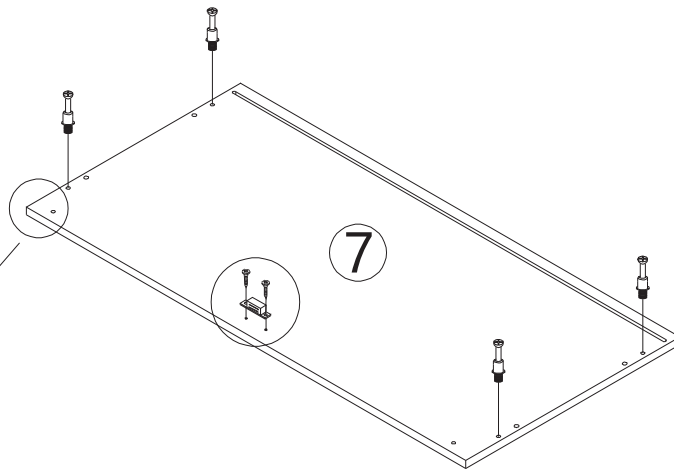
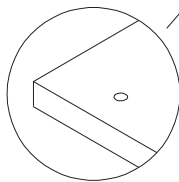
Step 10



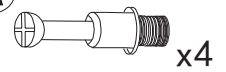
C



Step 11



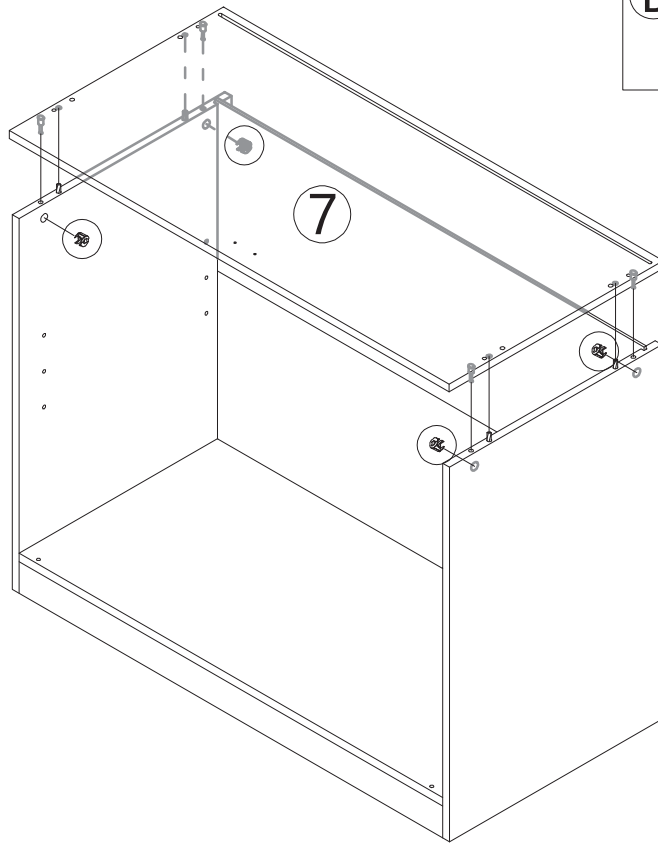
A



E

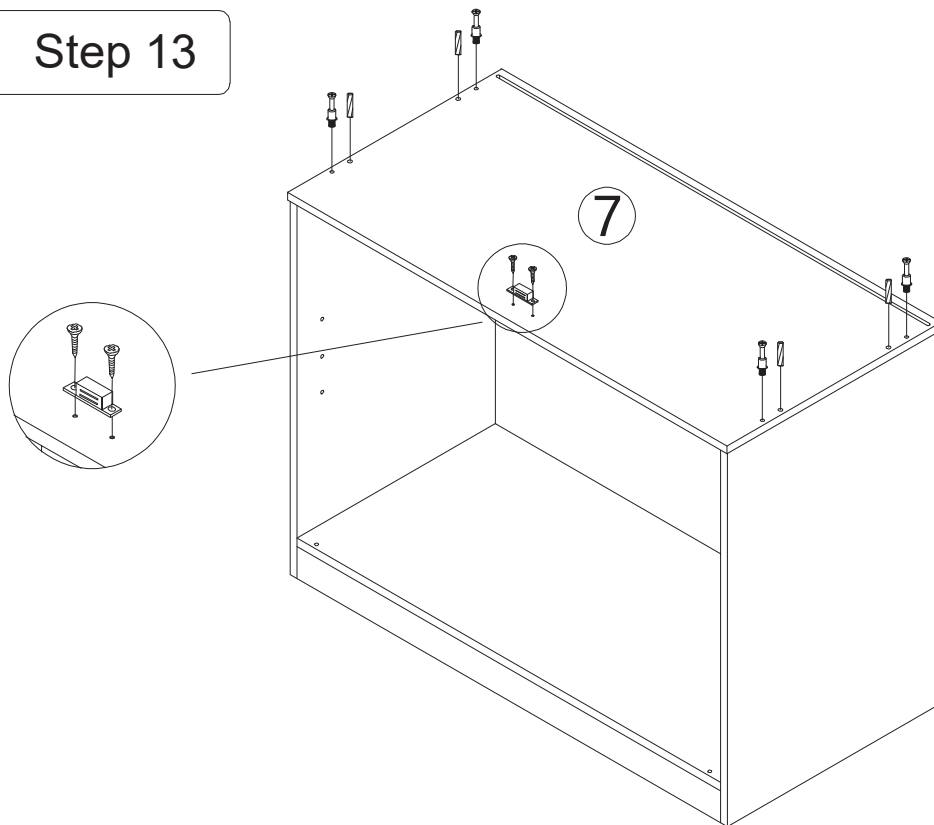


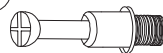



Step 12



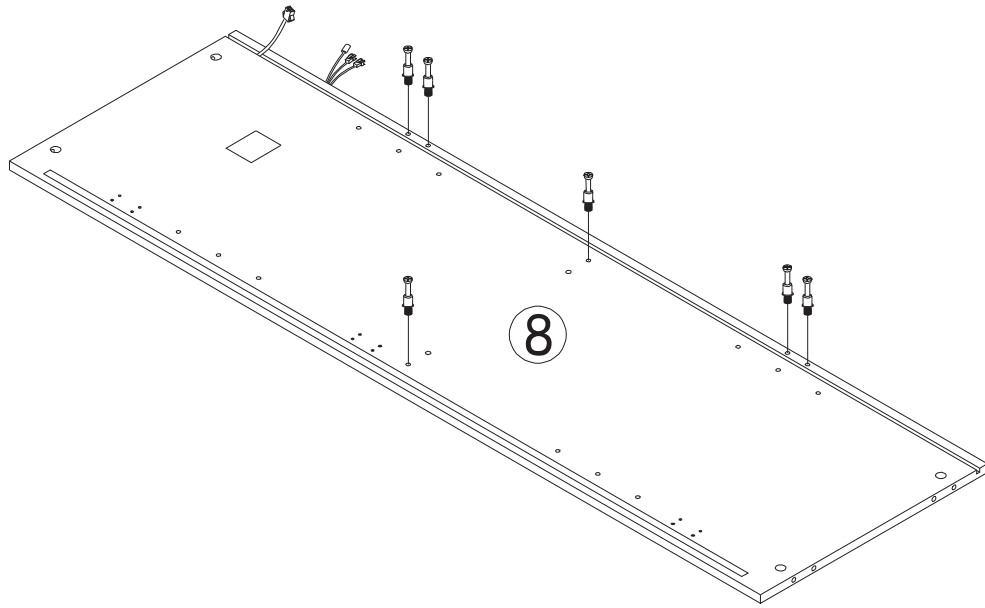
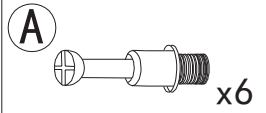
- (B)  x4

Step 13

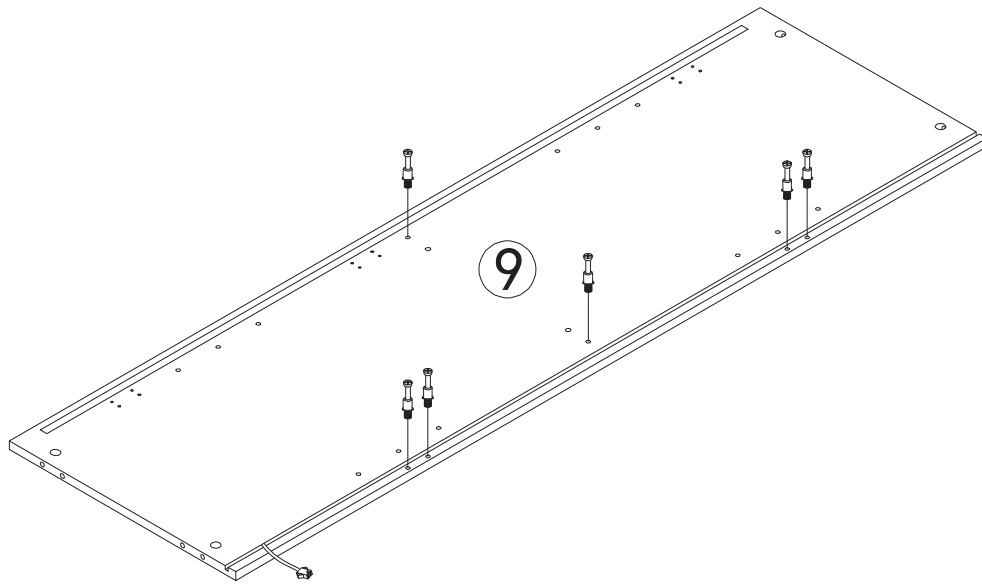
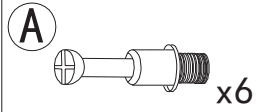


- (A)  x4
- (C)  x4
- (E)  x1  x2

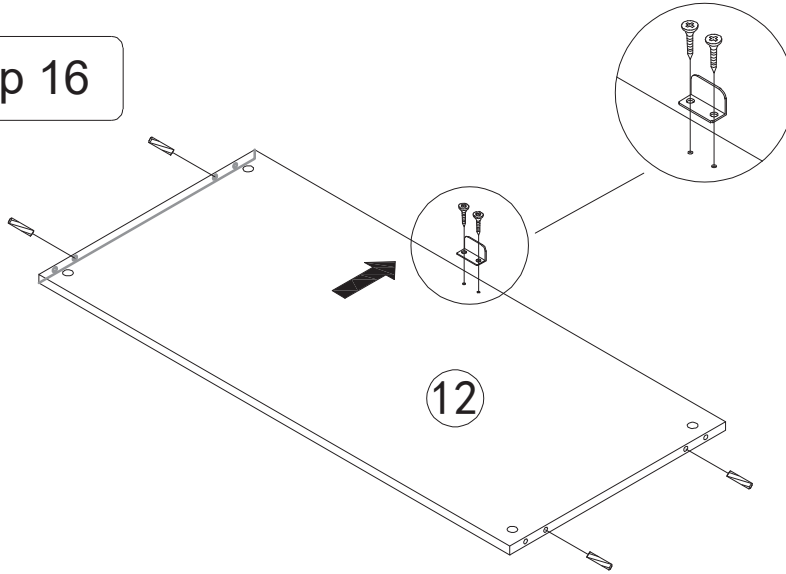
Step 14

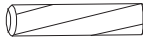




Step 15

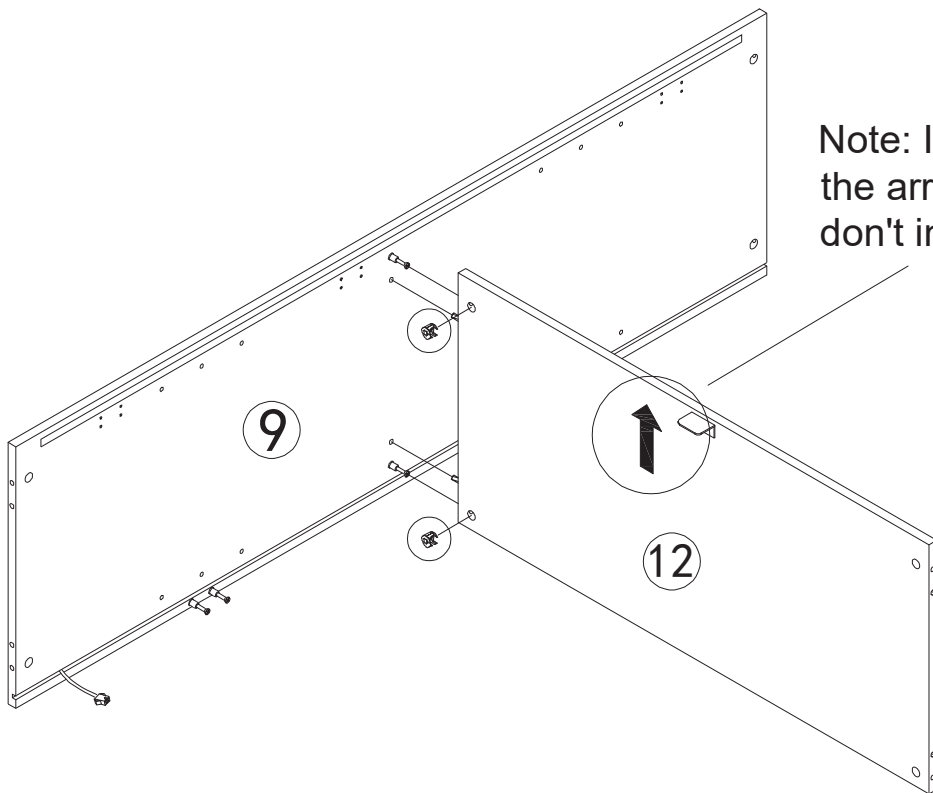


Step 16



- C**  x4
- O**  x1  x2

Step 17



- B**  x2

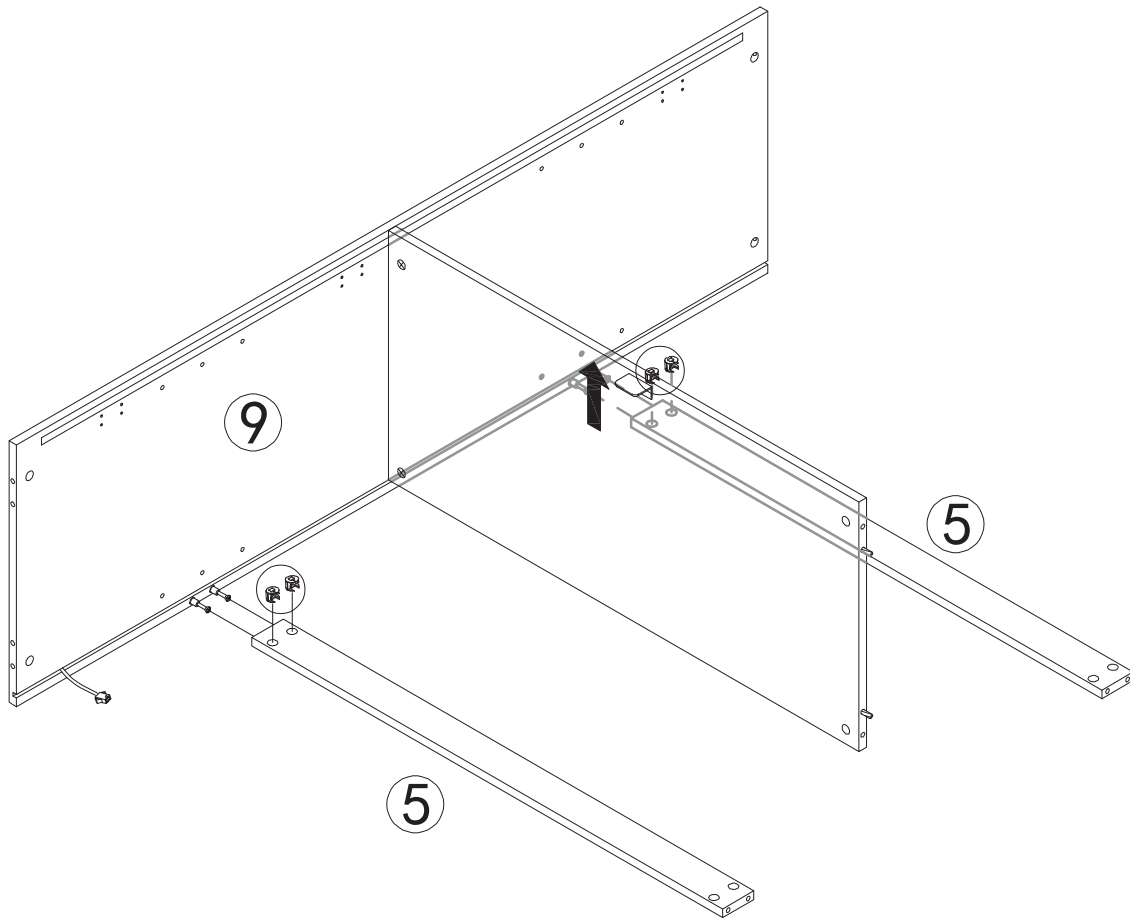
Note: Install according to the arrow on the board, don't install it backwards.

Step 18

B



x4

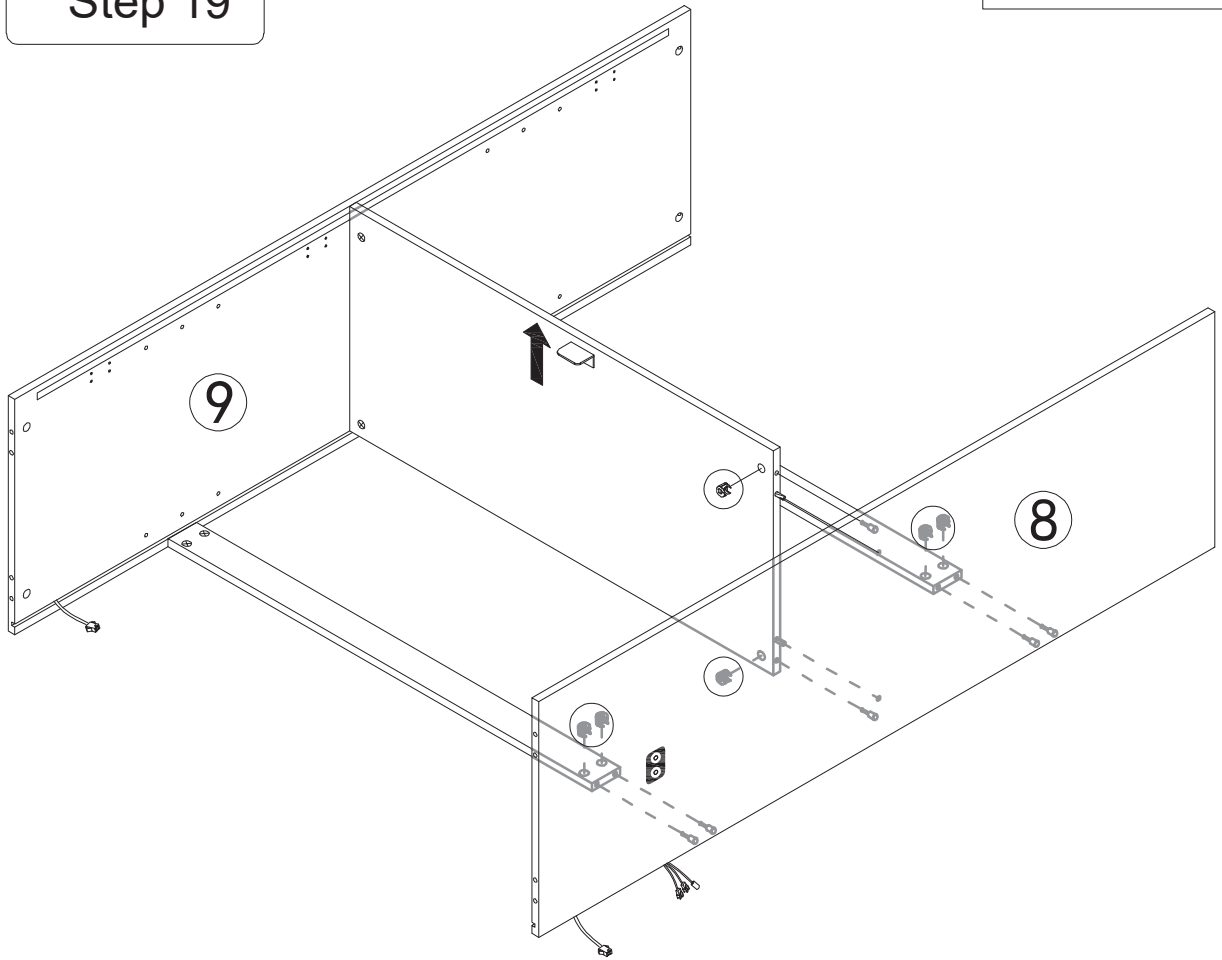


Step 19

B

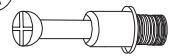


x6



Step 20

A



x4

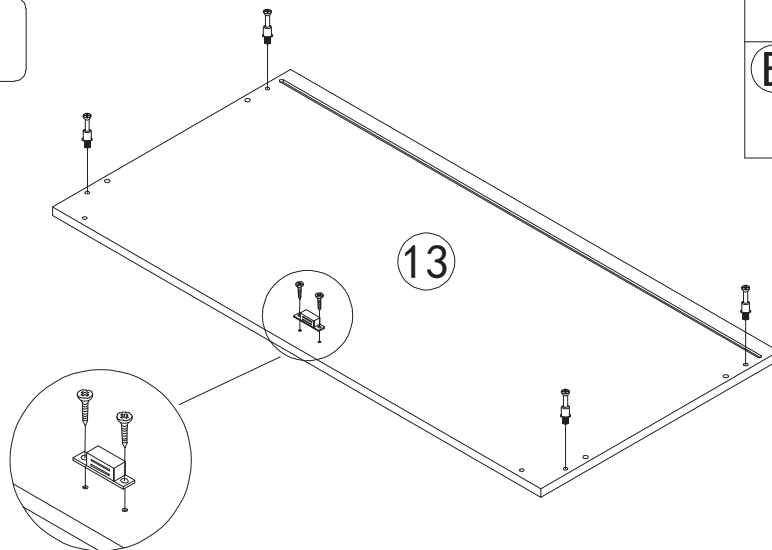
E



x1



x2

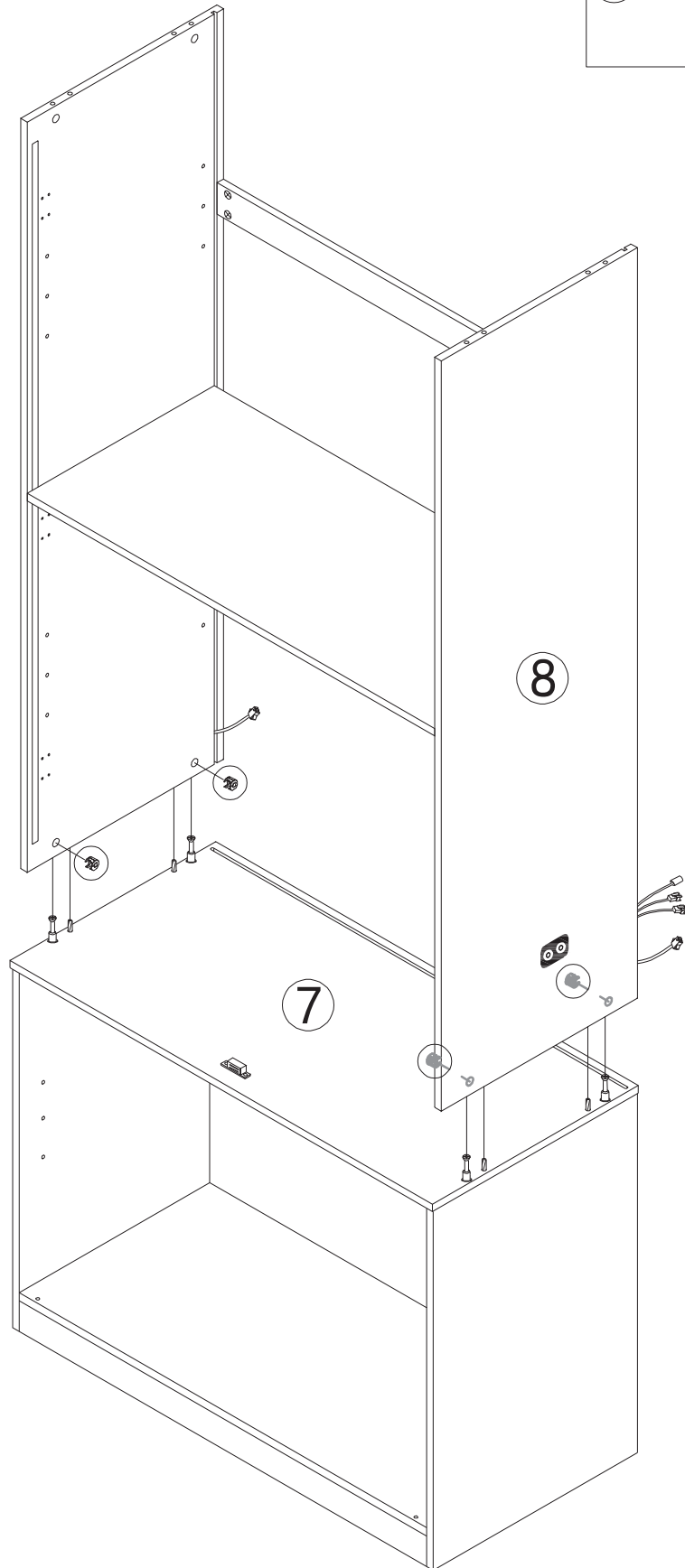


Step 21

B

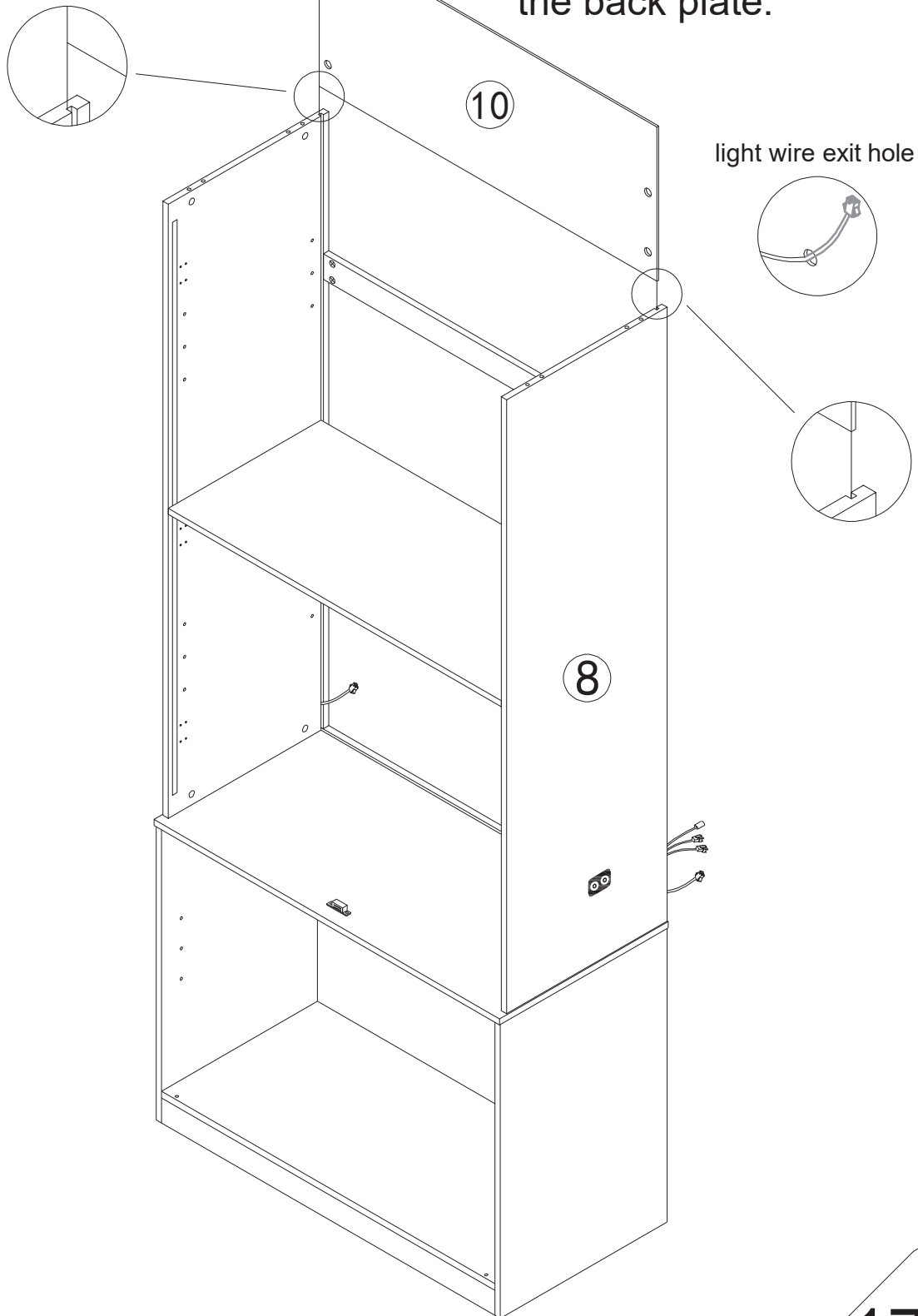


x4

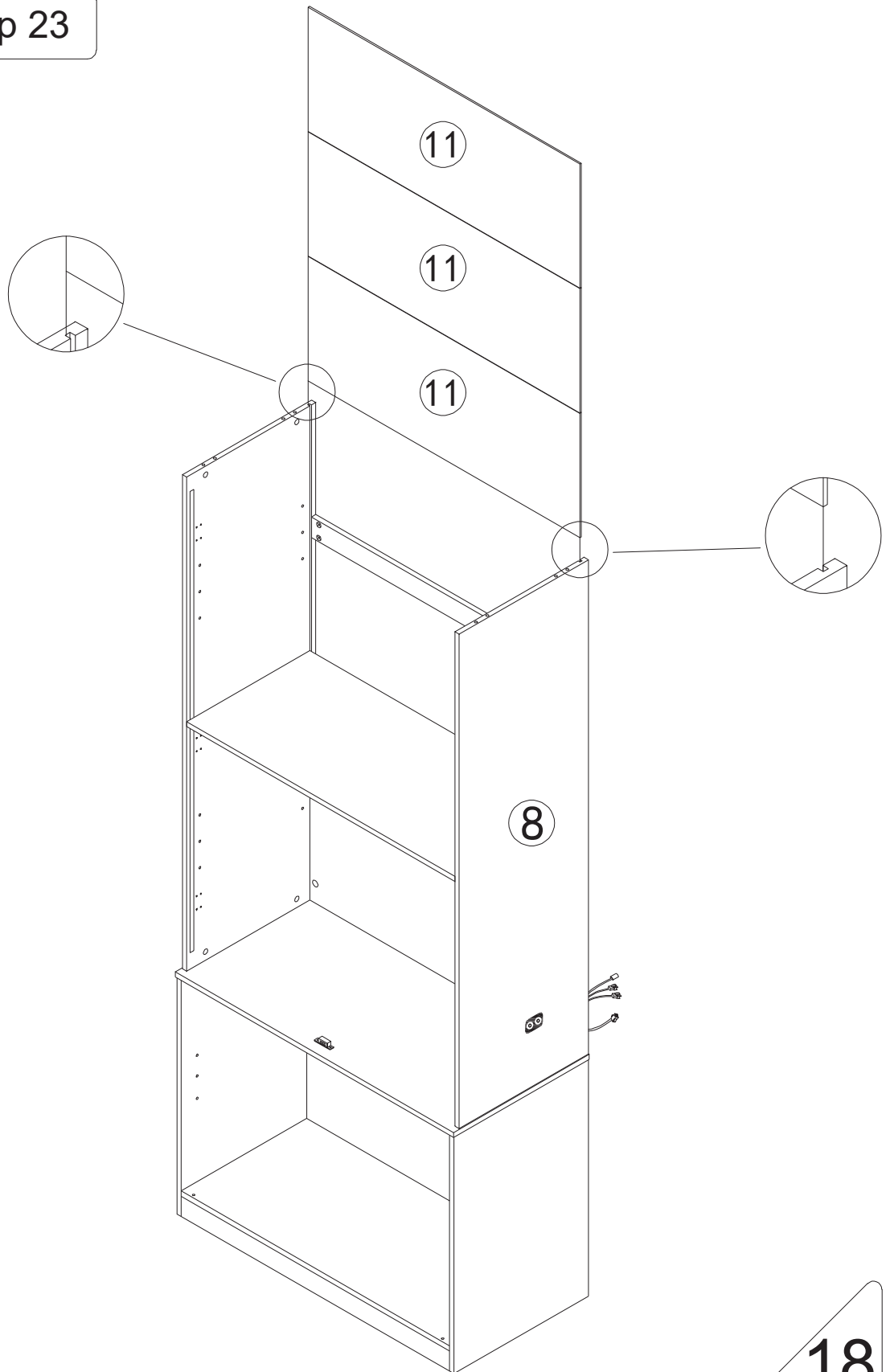


Step 22

Note: thread the lamp wire through the hole in the back plate.

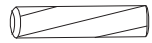


Step 23

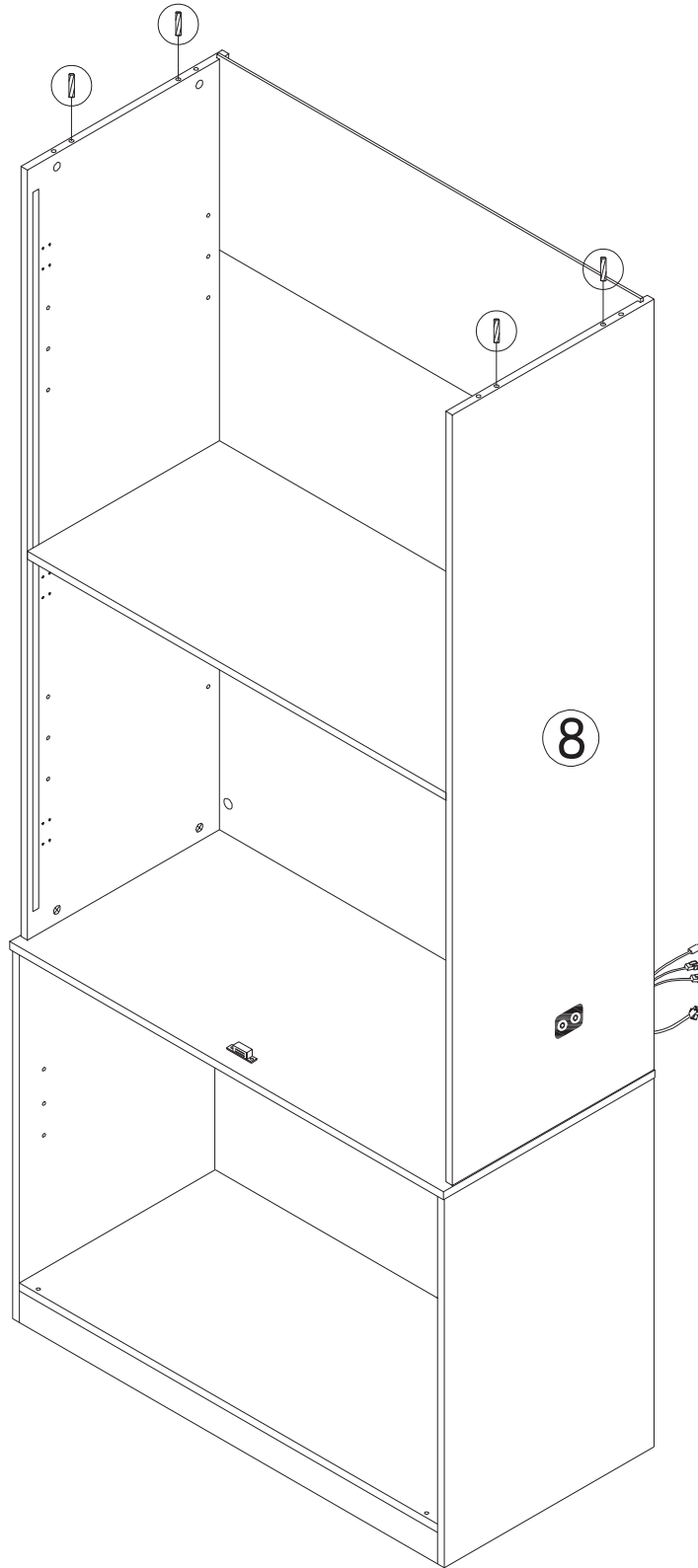


Step 24

C



x4

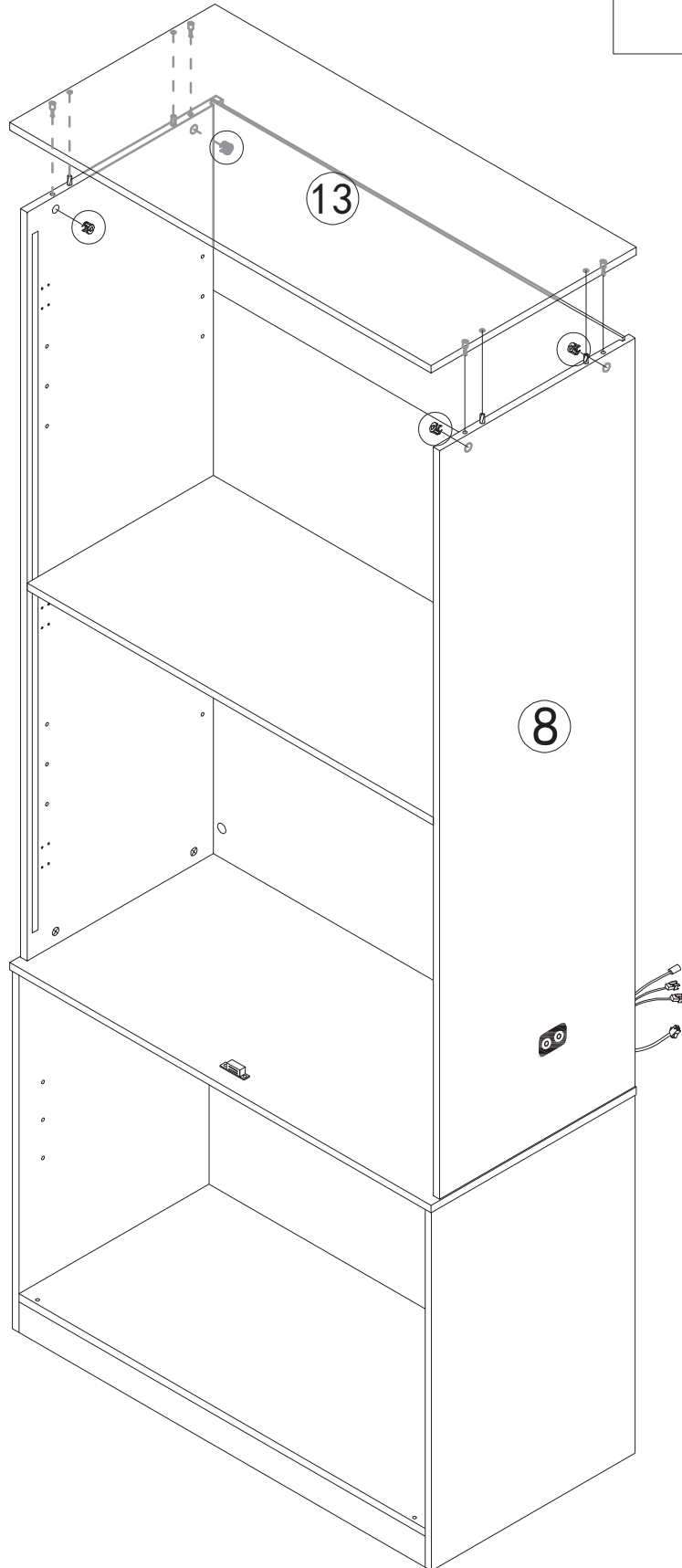


Step 25

B



x4



20

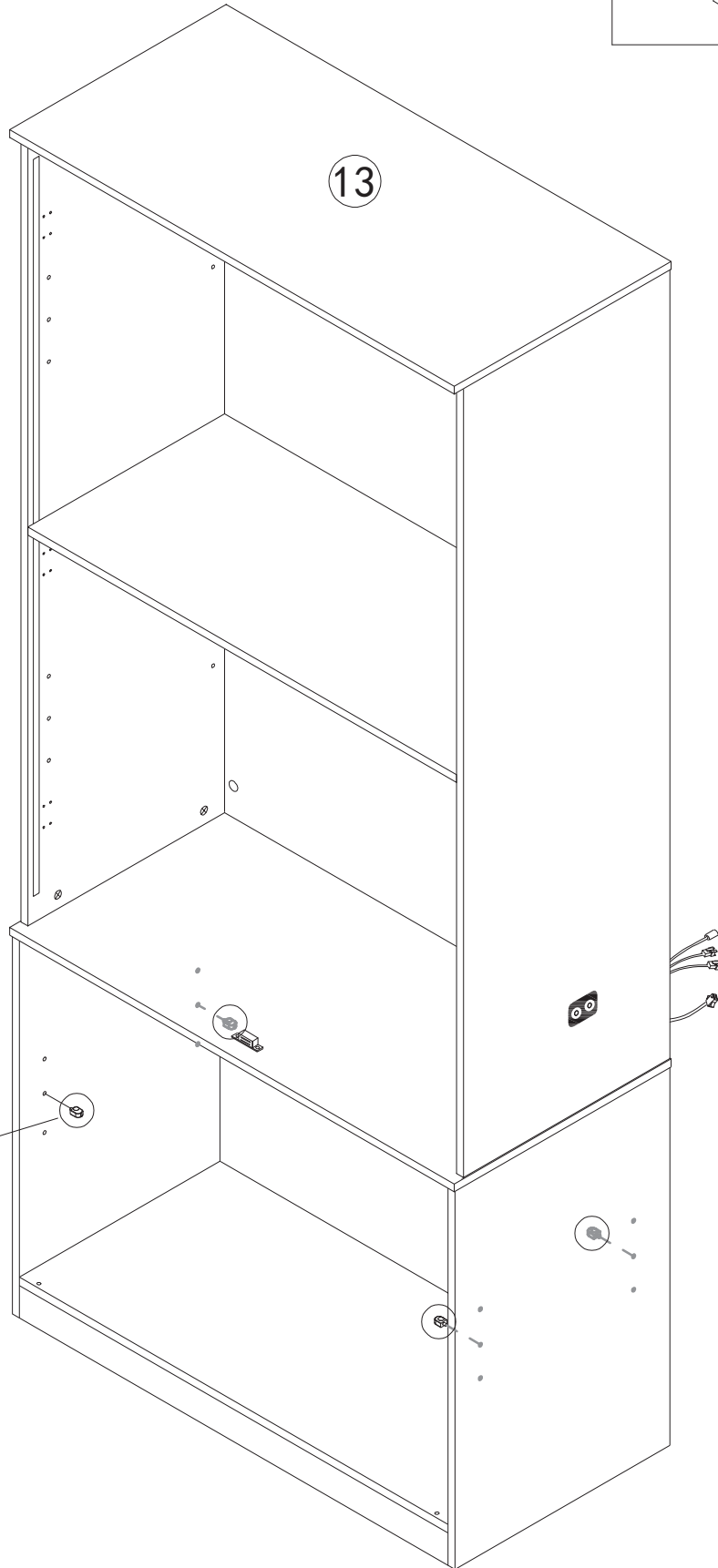
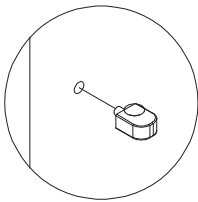
Step 26

G



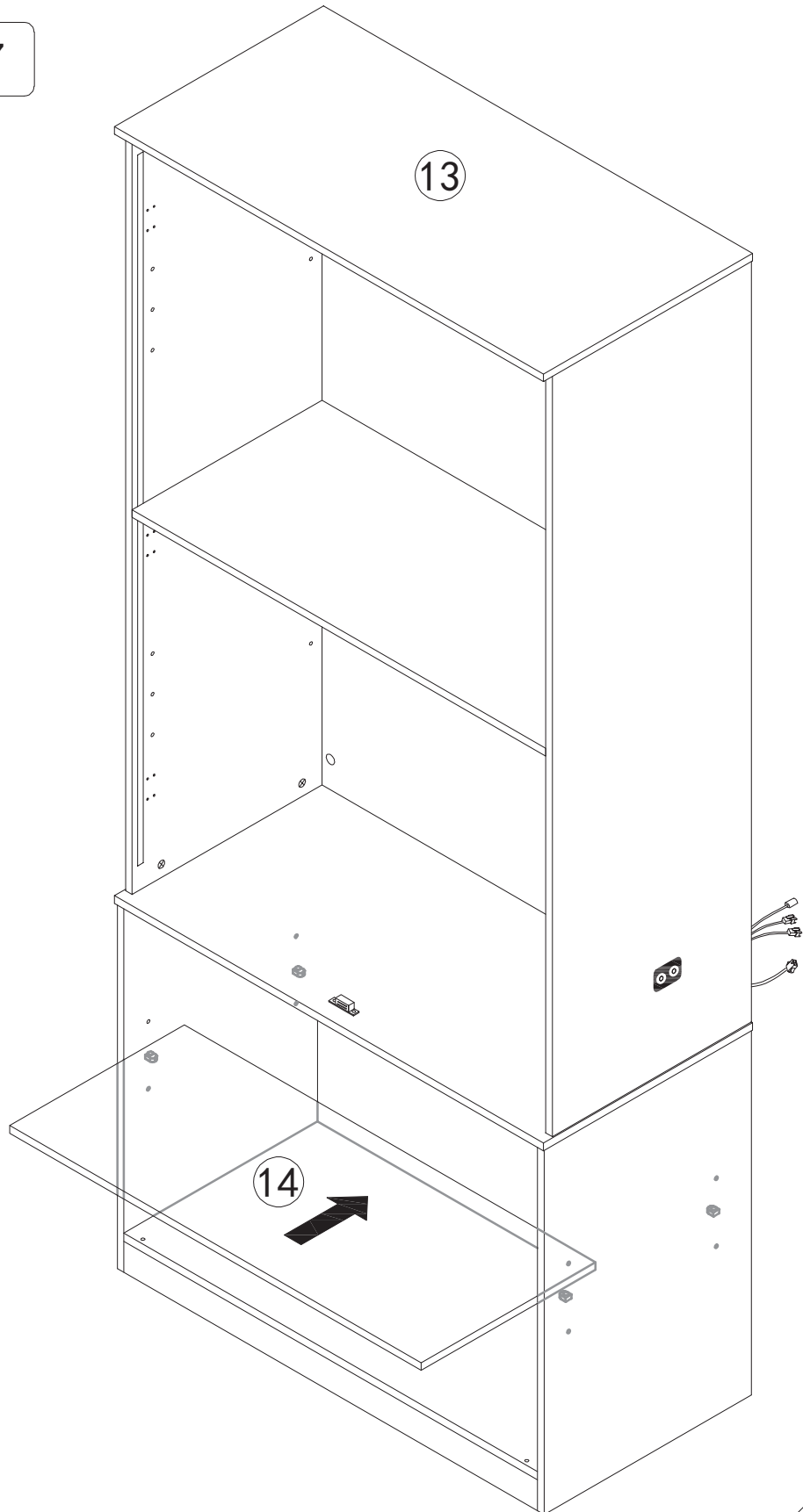
x4

13

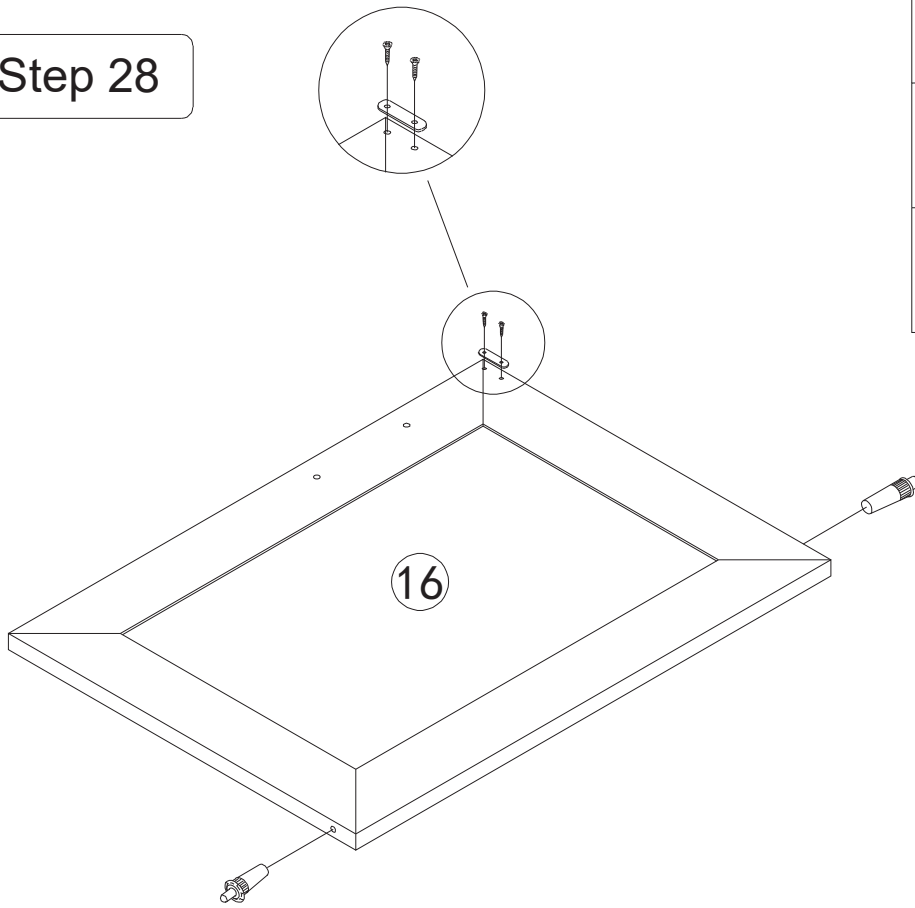


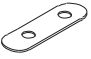



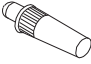
21

Step 27

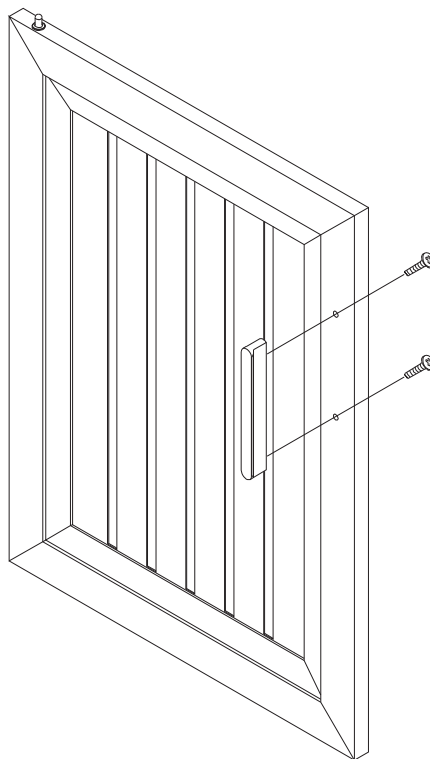


Step 28



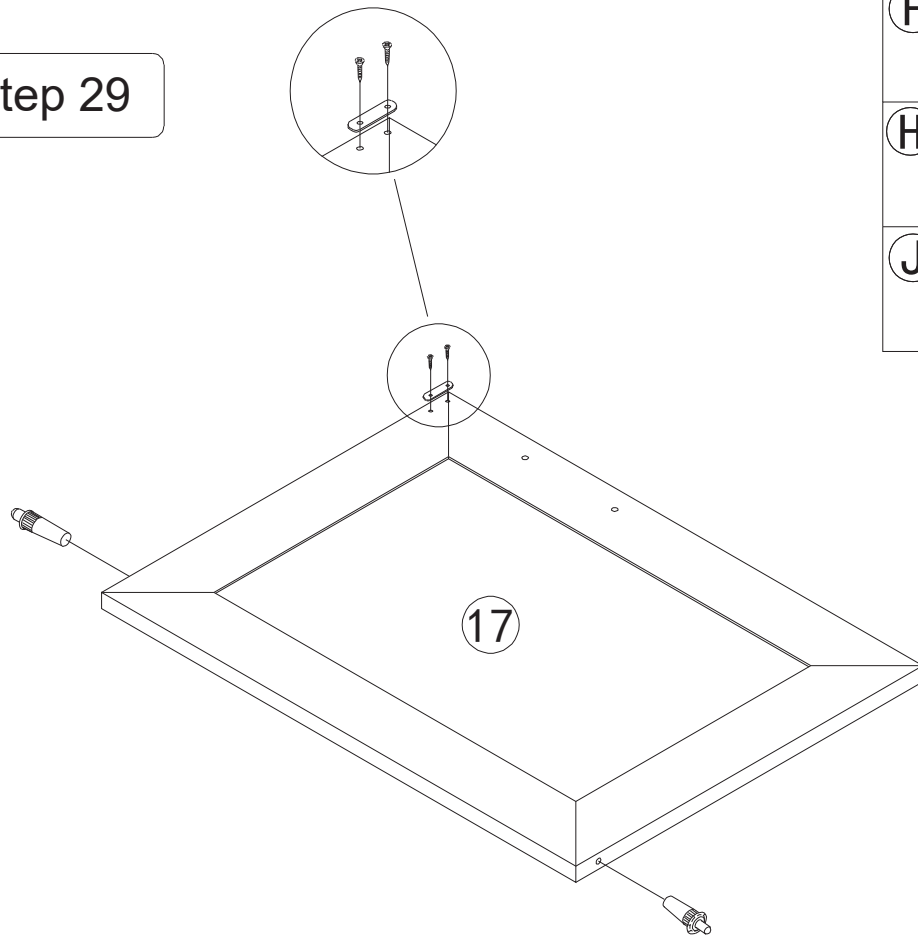
(F)		
	x1	x2
(H)		
	x1	x2
(J)		x2

16

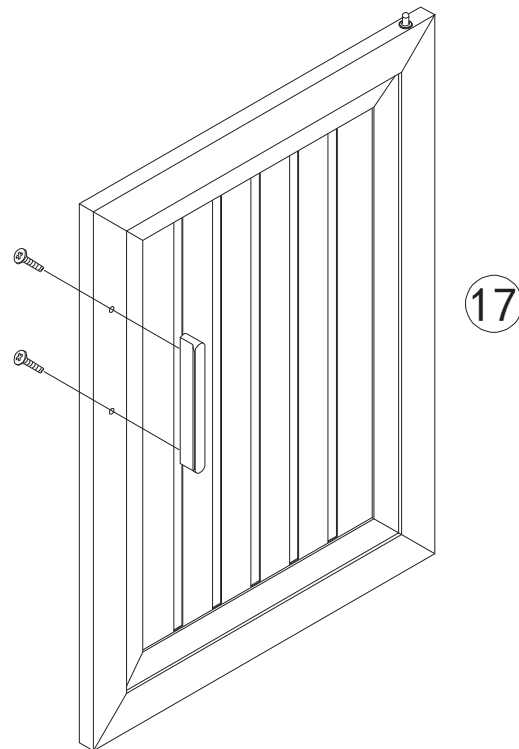


23

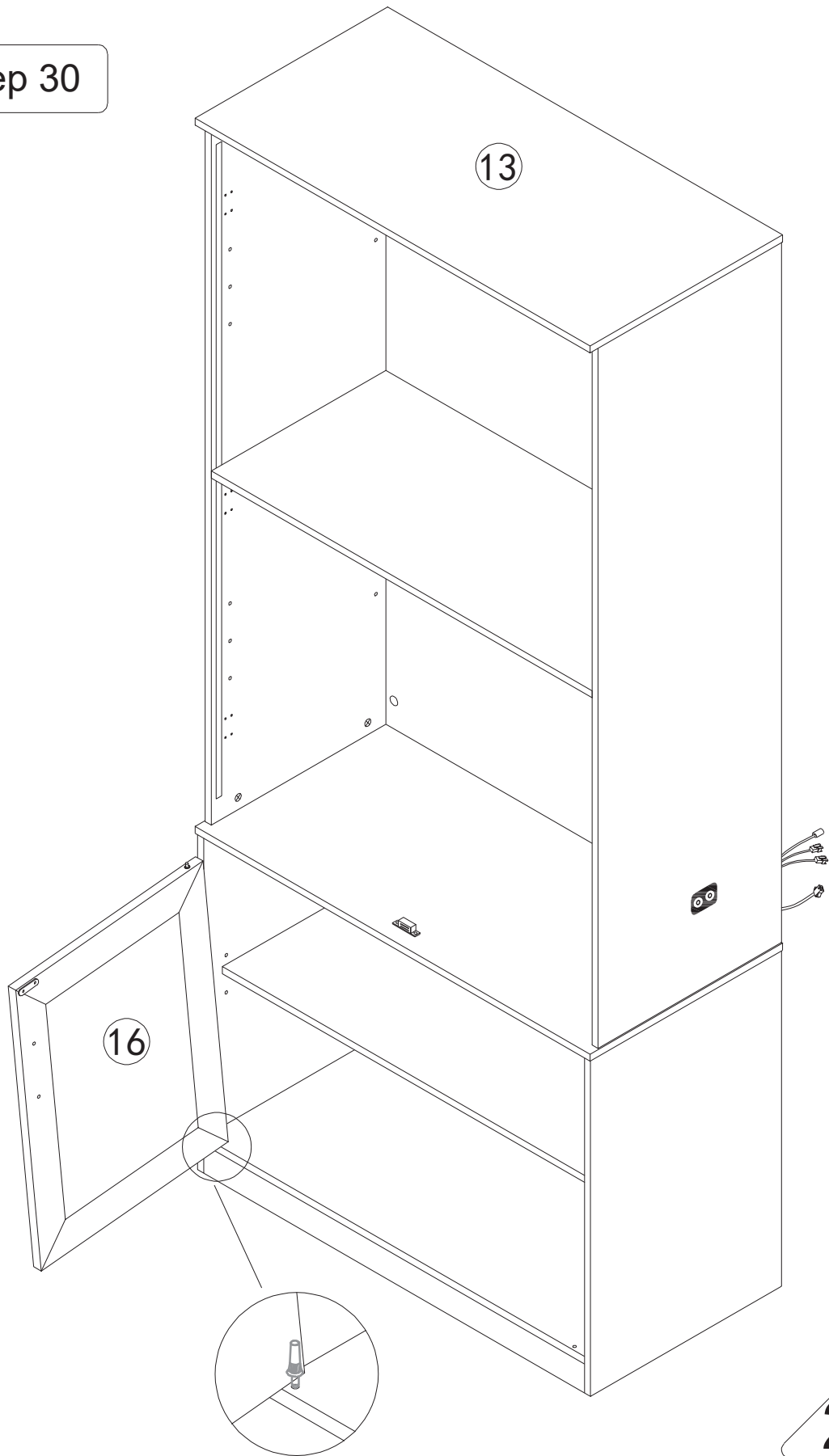
Step 29



(F)		
	x1	x2
(H)		
	x1	x2
(J)		x2

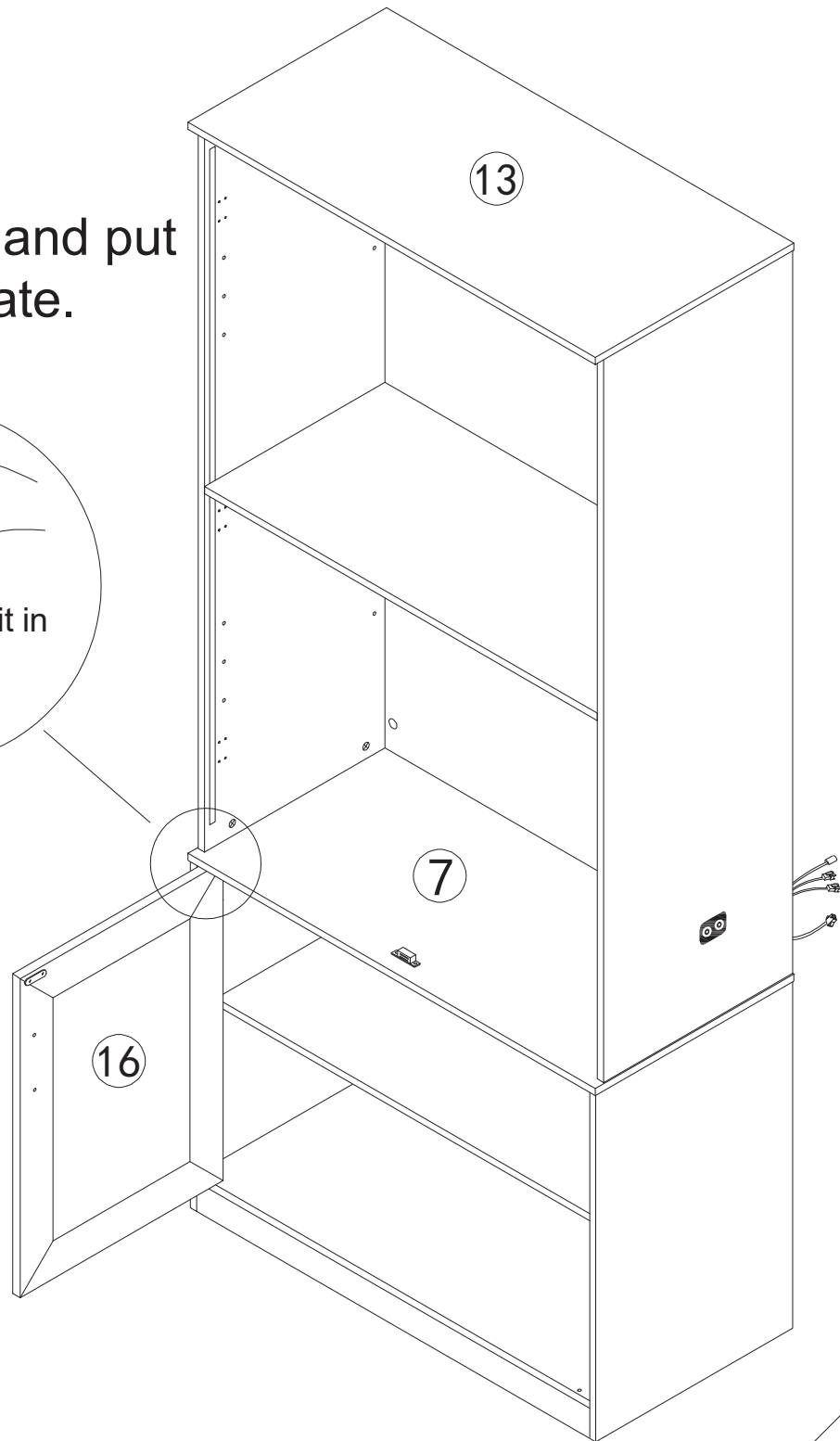
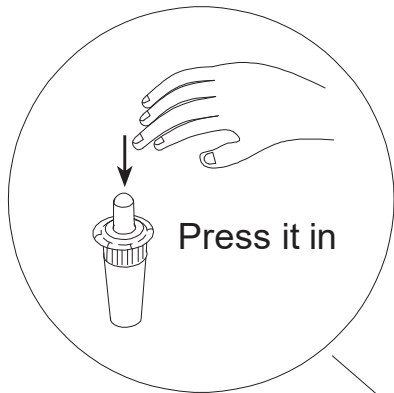


Step 30

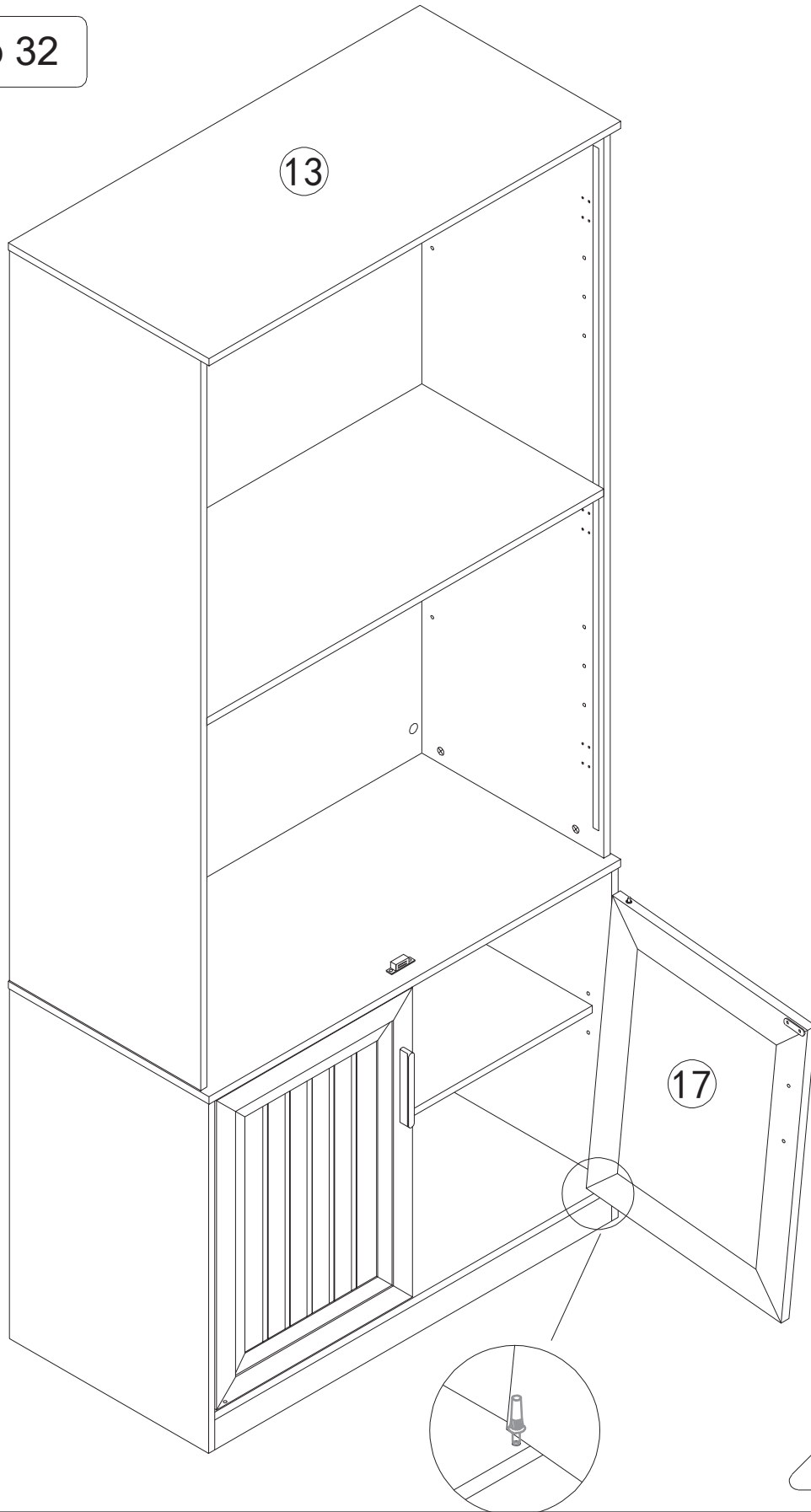


Step 31

Note: Press J and put it into the 7-plate.

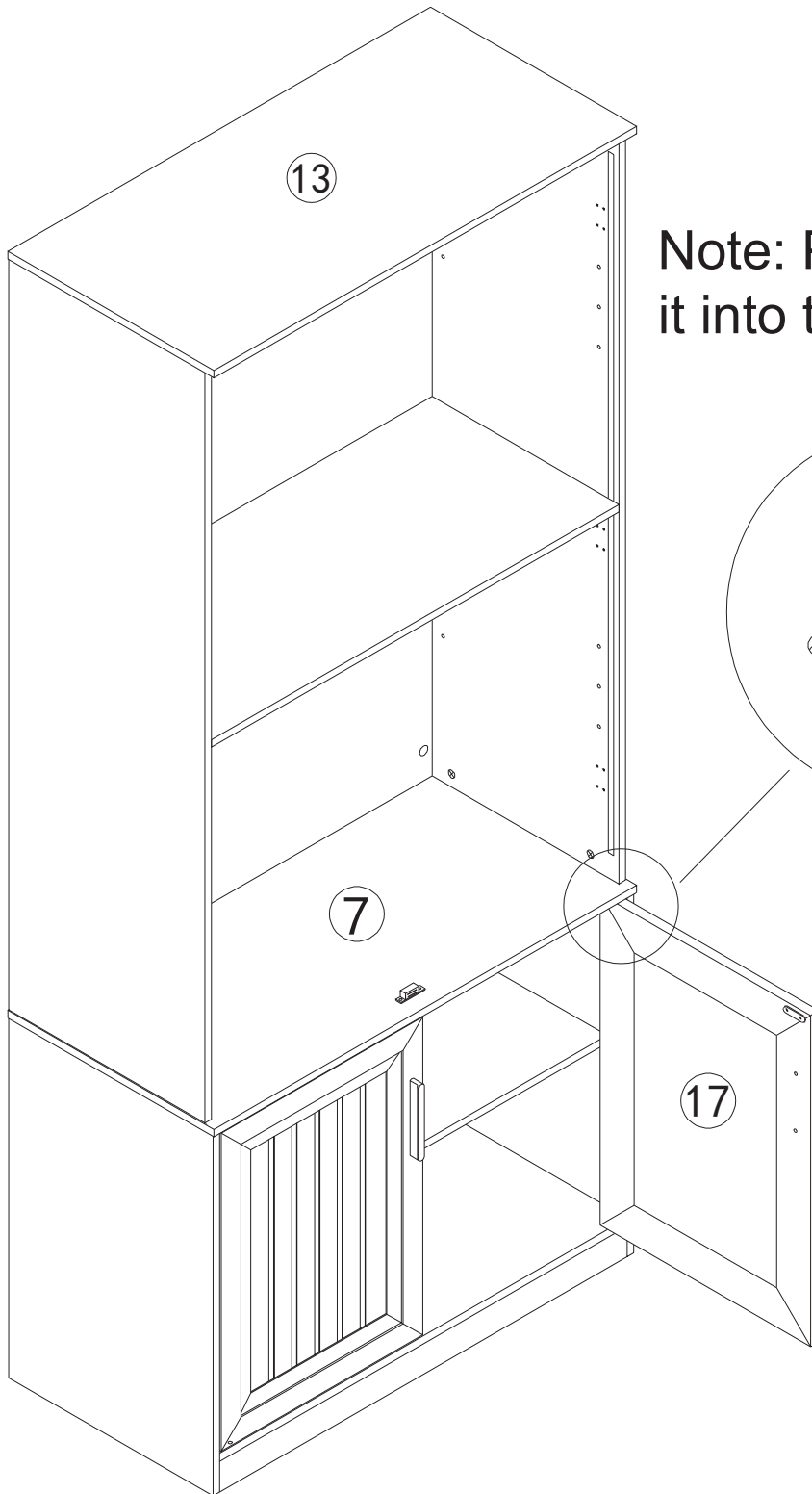


Step 32

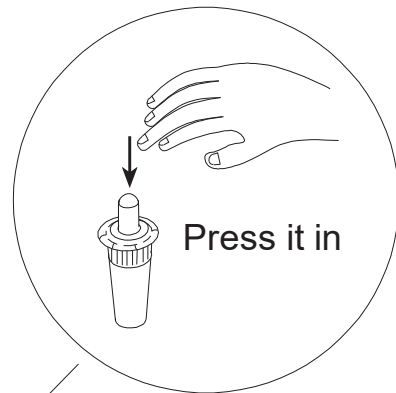


27

Step 33

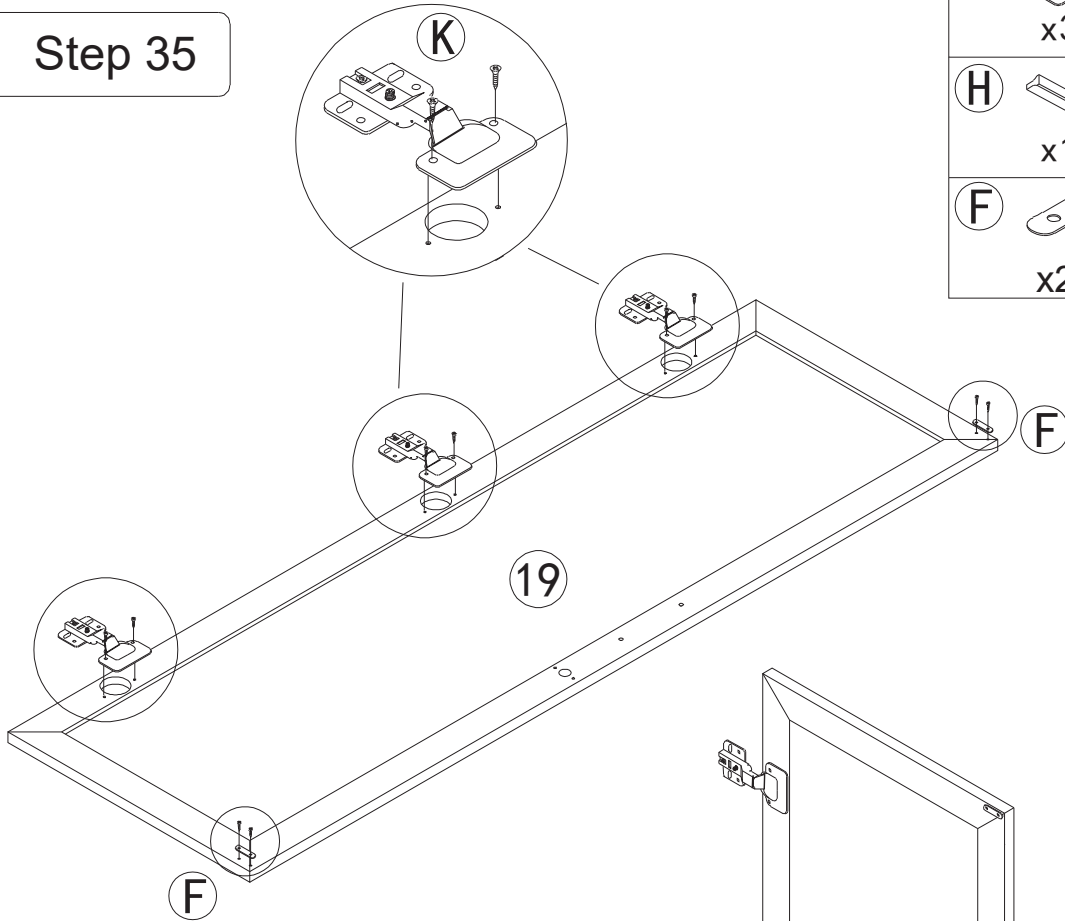


Note: Press J and put it into the 7-plate.

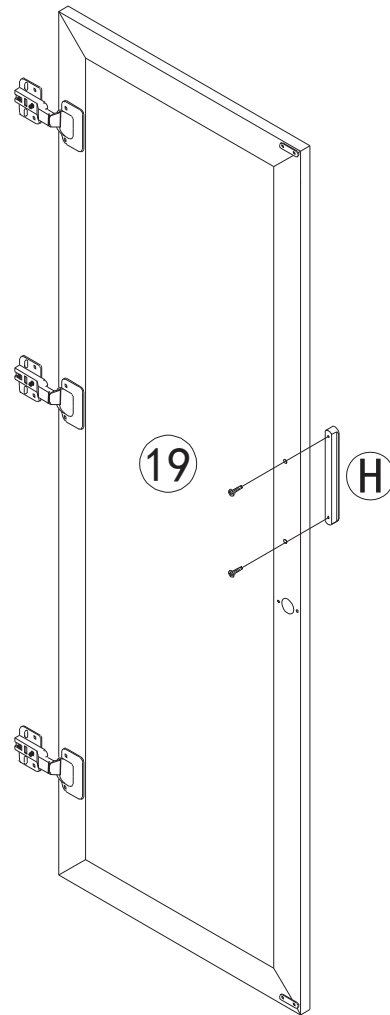






Step 35



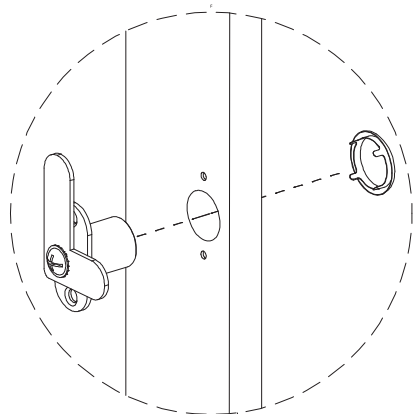
(K)		x3		x6
(H)		x1		x2
(F)		x2		x4



# Step36

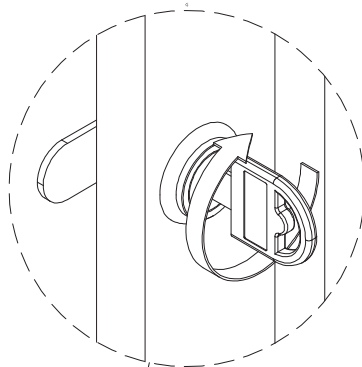
code	diagram	count
O		1
O		2

Step1

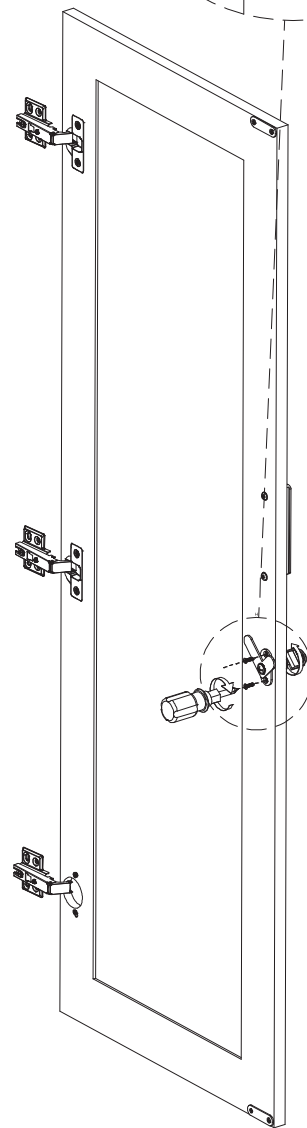
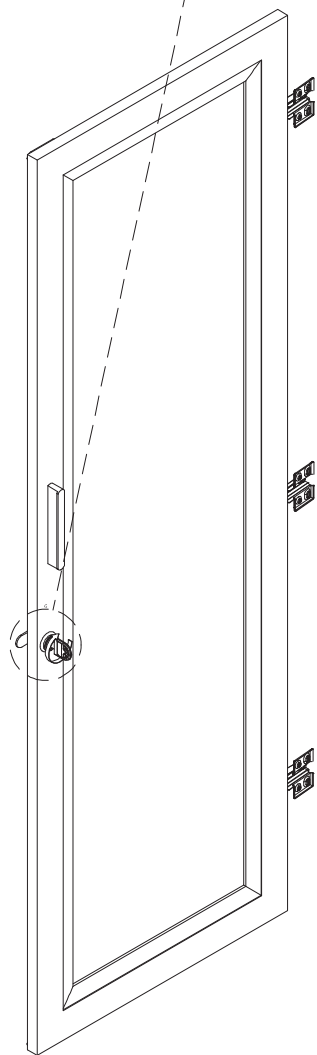
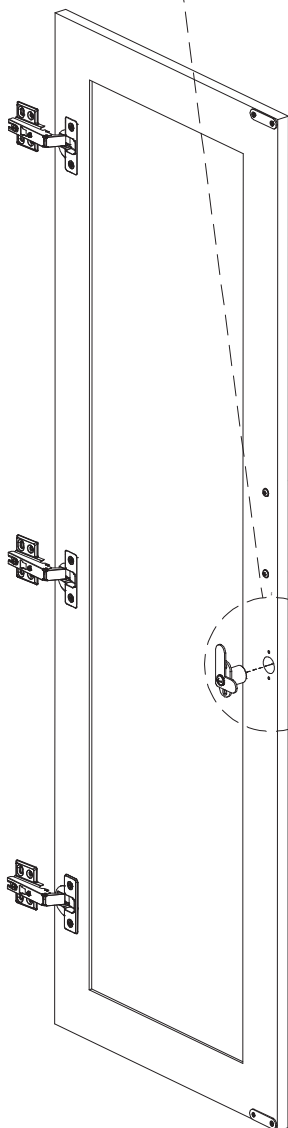
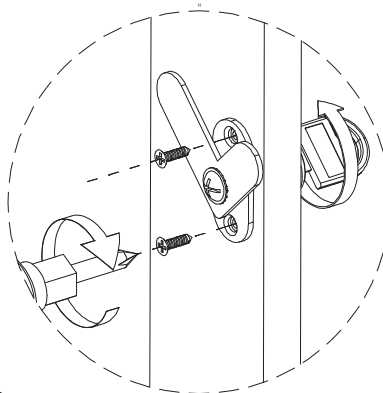


Step2

Insert the key and rotate it 45 degrees.



Step3



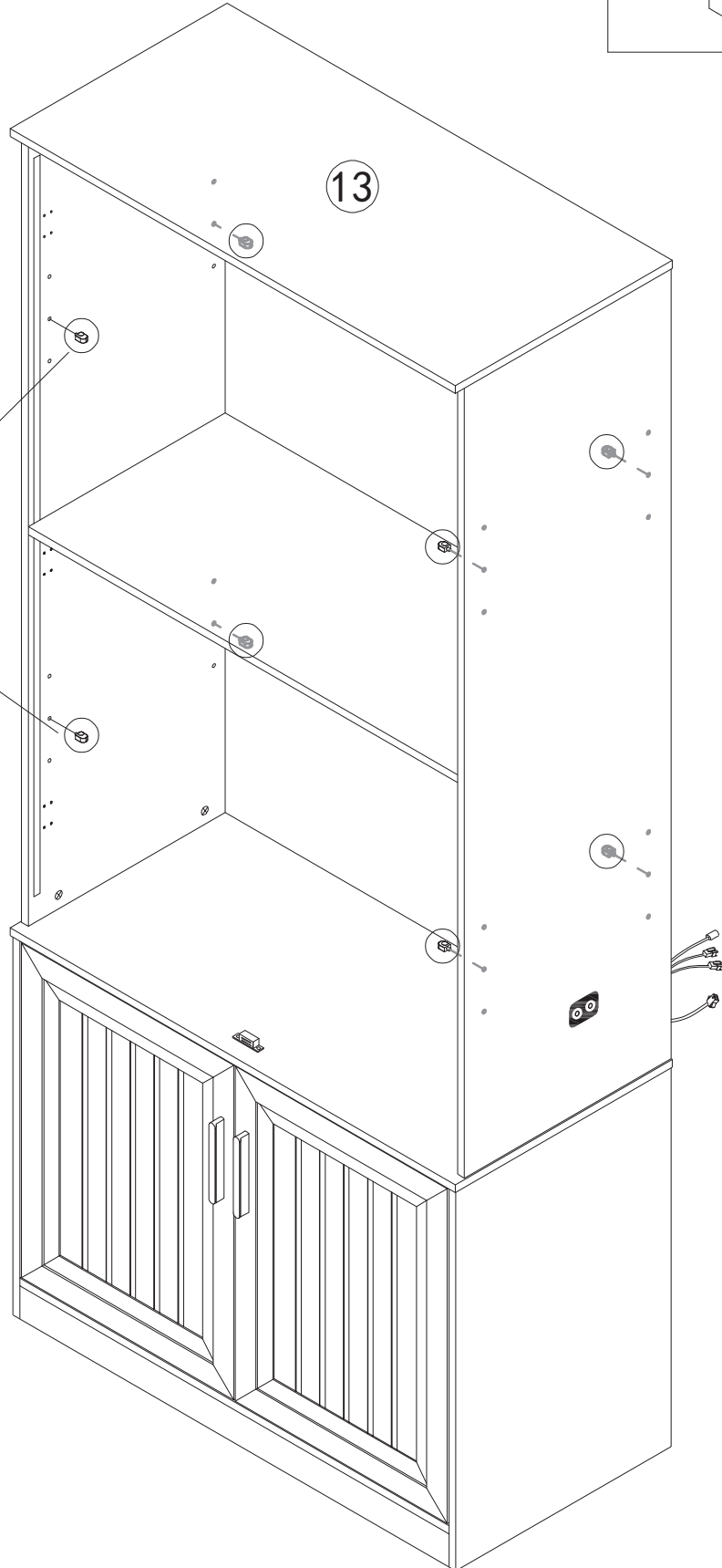
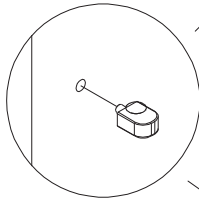
Step 37

G

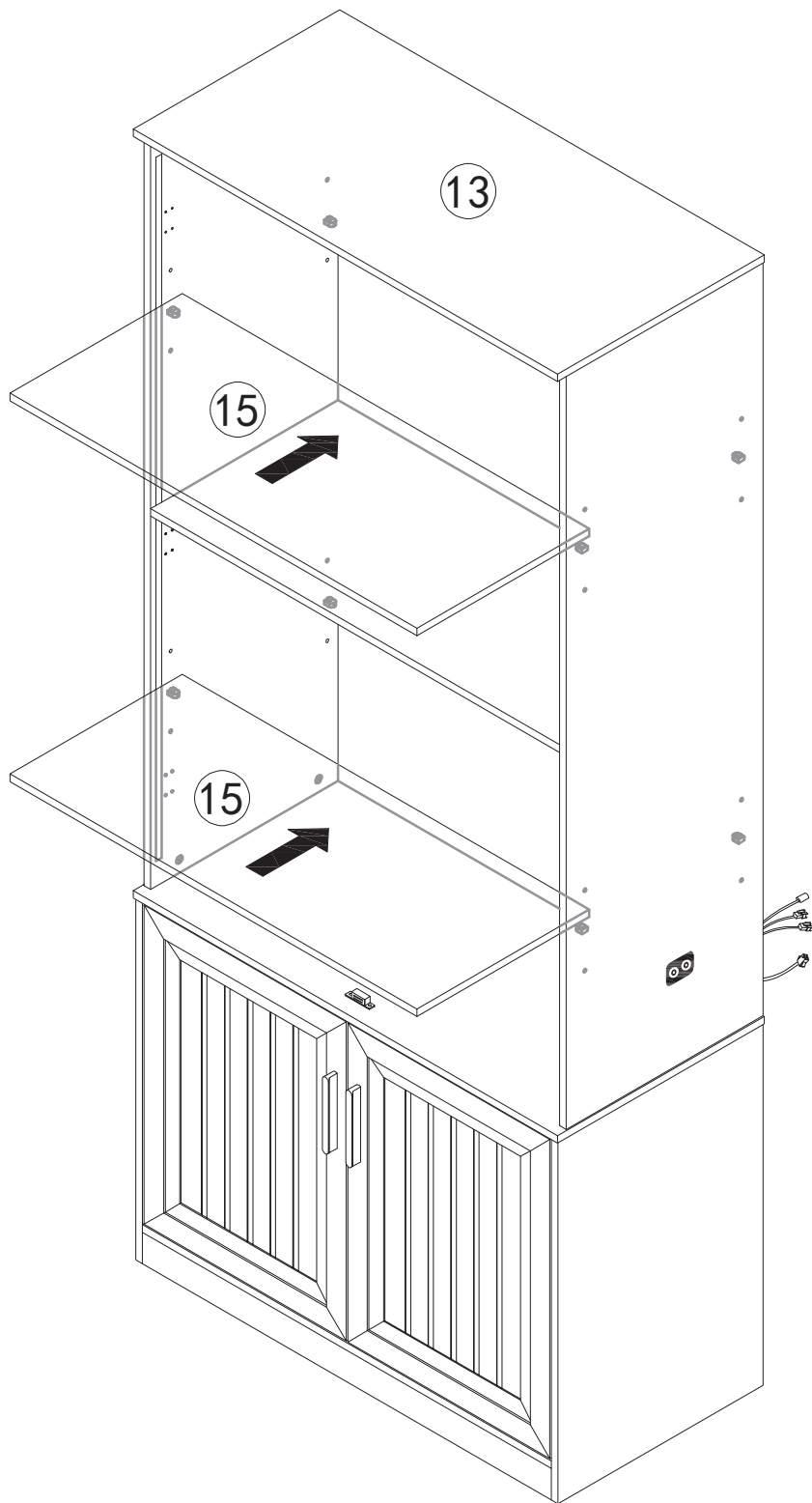


x8

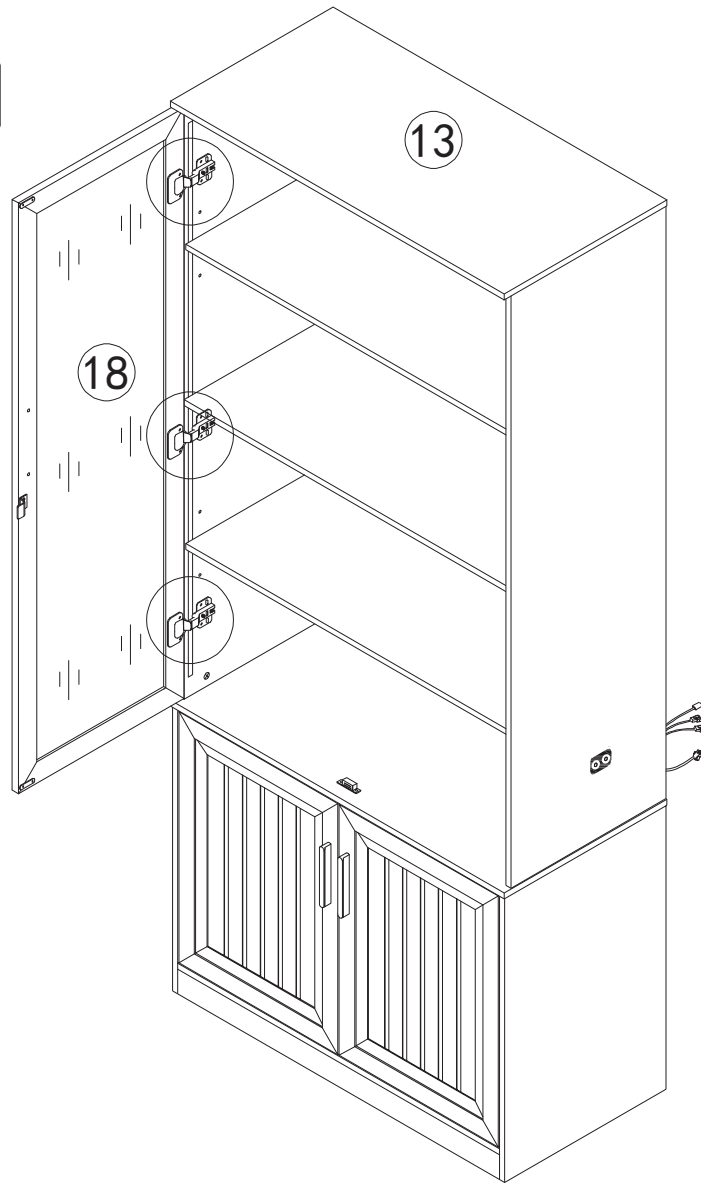
13



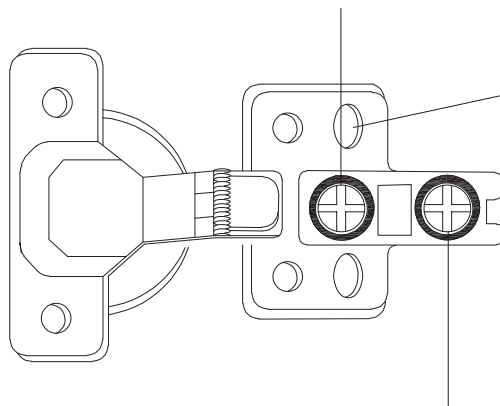
Step 38



Step 39



Turning this screw can effectively adjust the size of the door gap.

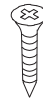


Adjust hole control the up and down height of the door

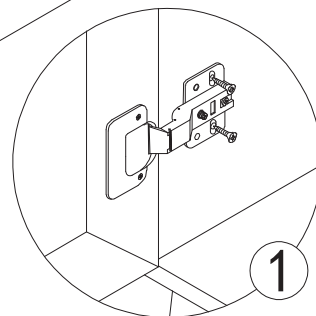
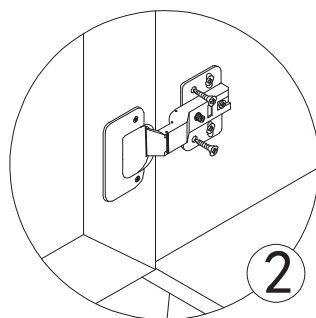
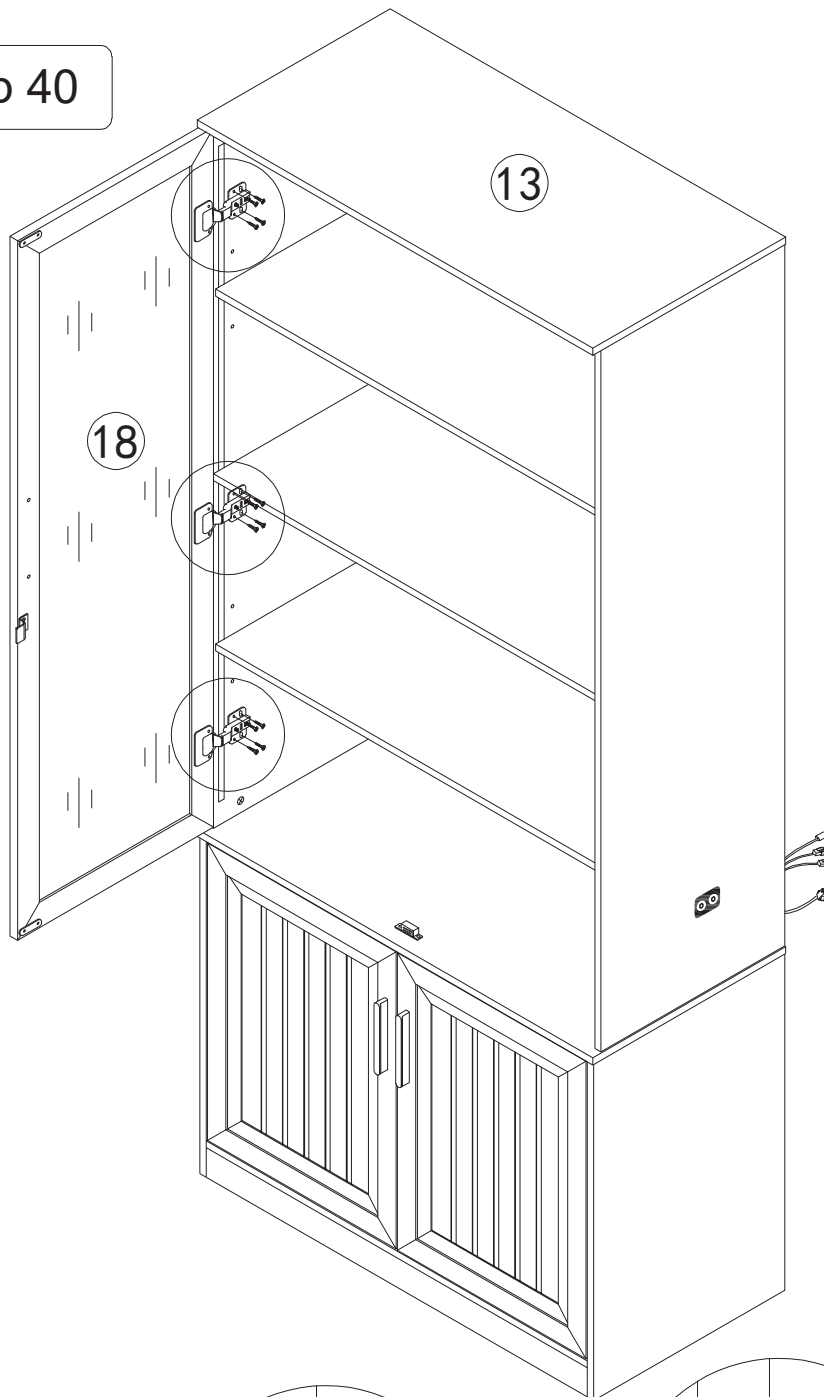
Turn this screw to adjust the door panel to be flat with the side panel.

Step 40

K



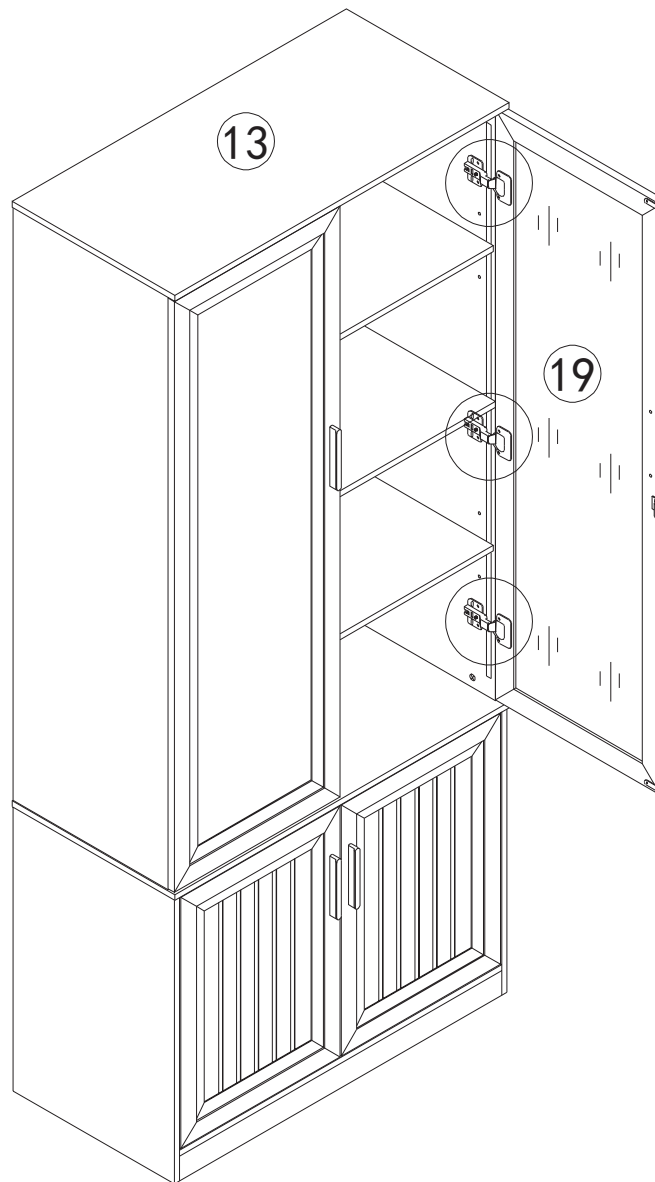
x12



First lock the elliptical hole then lock the fixed hole

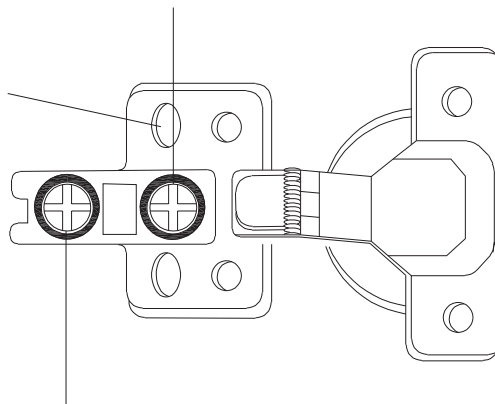
35

Step 41



Turning this screw can effectively adjust the size of the door gap.

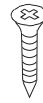
Adjust hole control the up and down height of the door



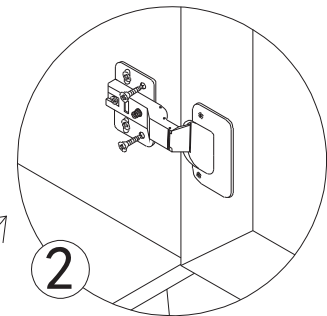
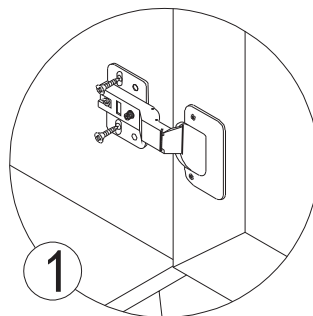
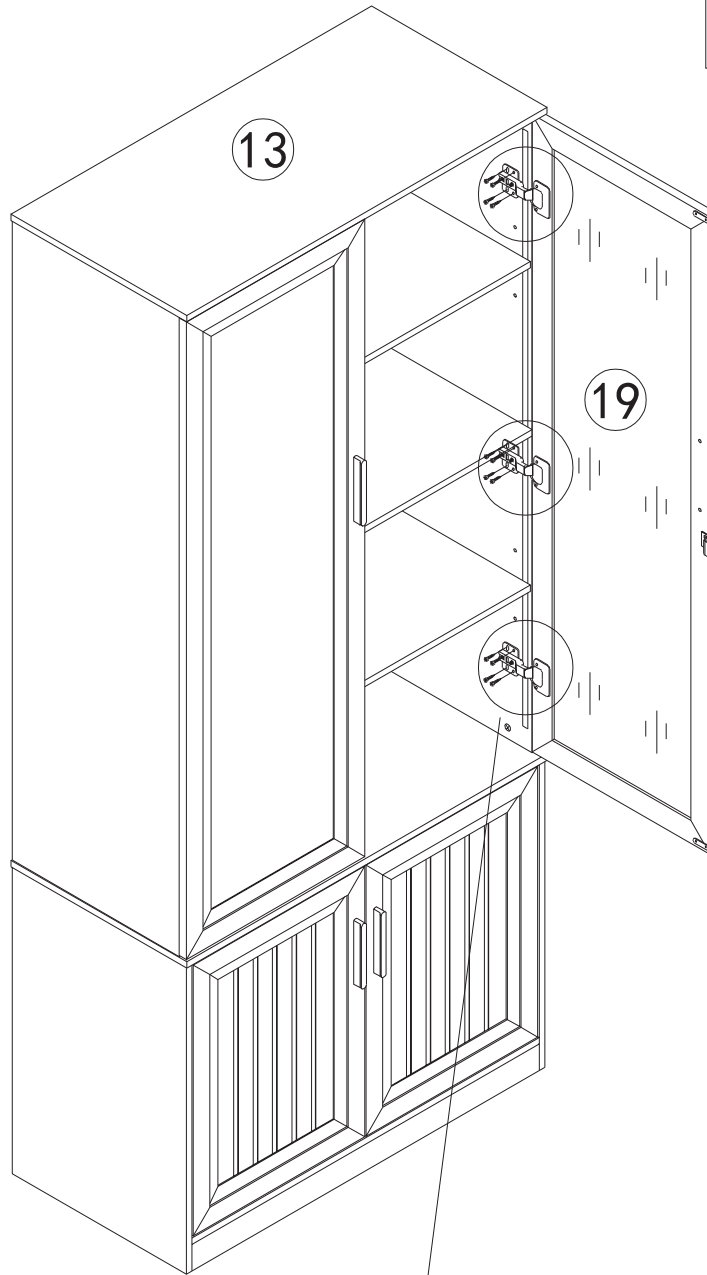
Turn this screw to adjust the door panel to be flat with the side panel.

Step 42

K



x12

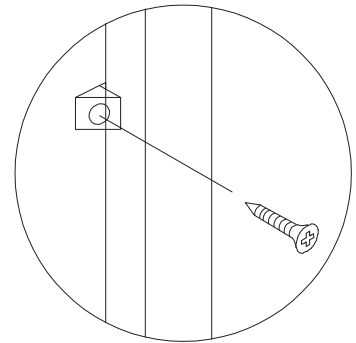
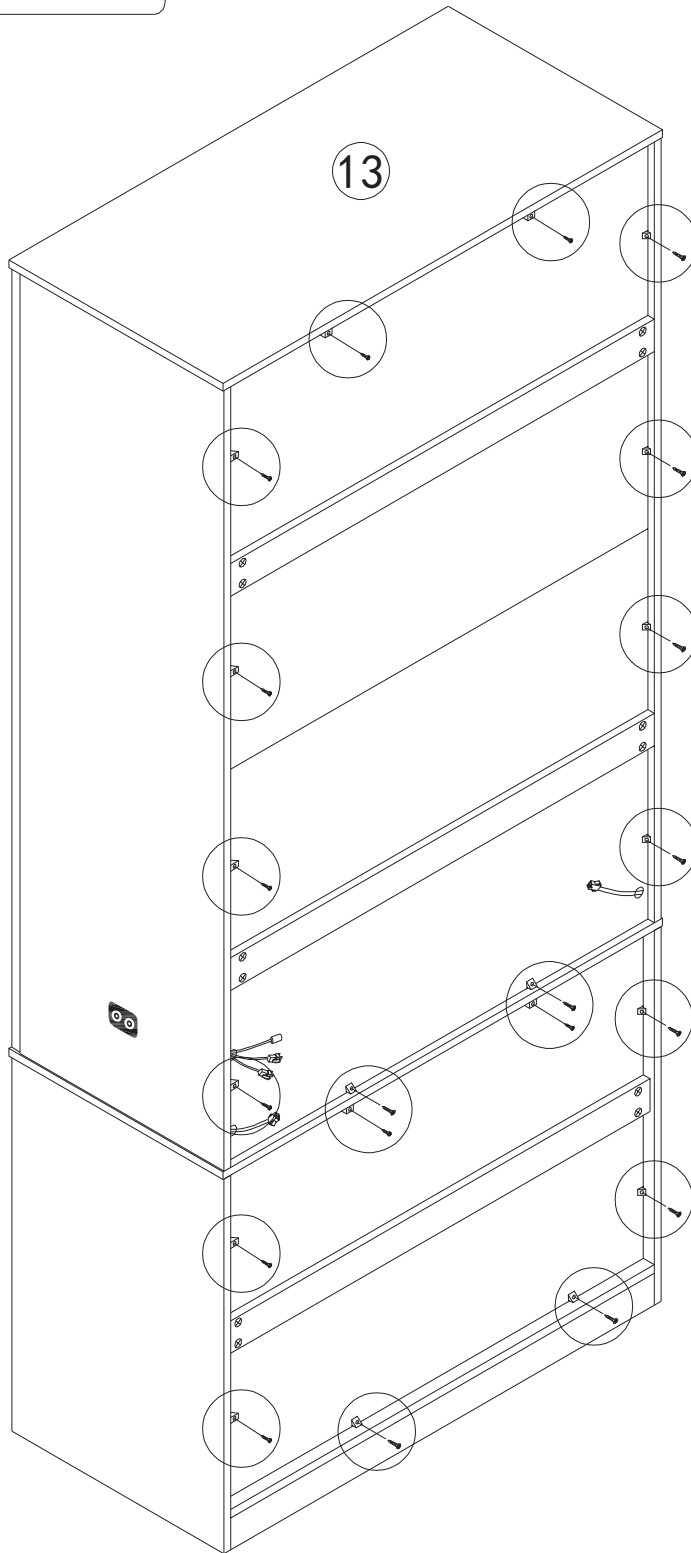
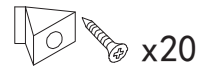


First lock the elliptical hole then lock the fixed hole

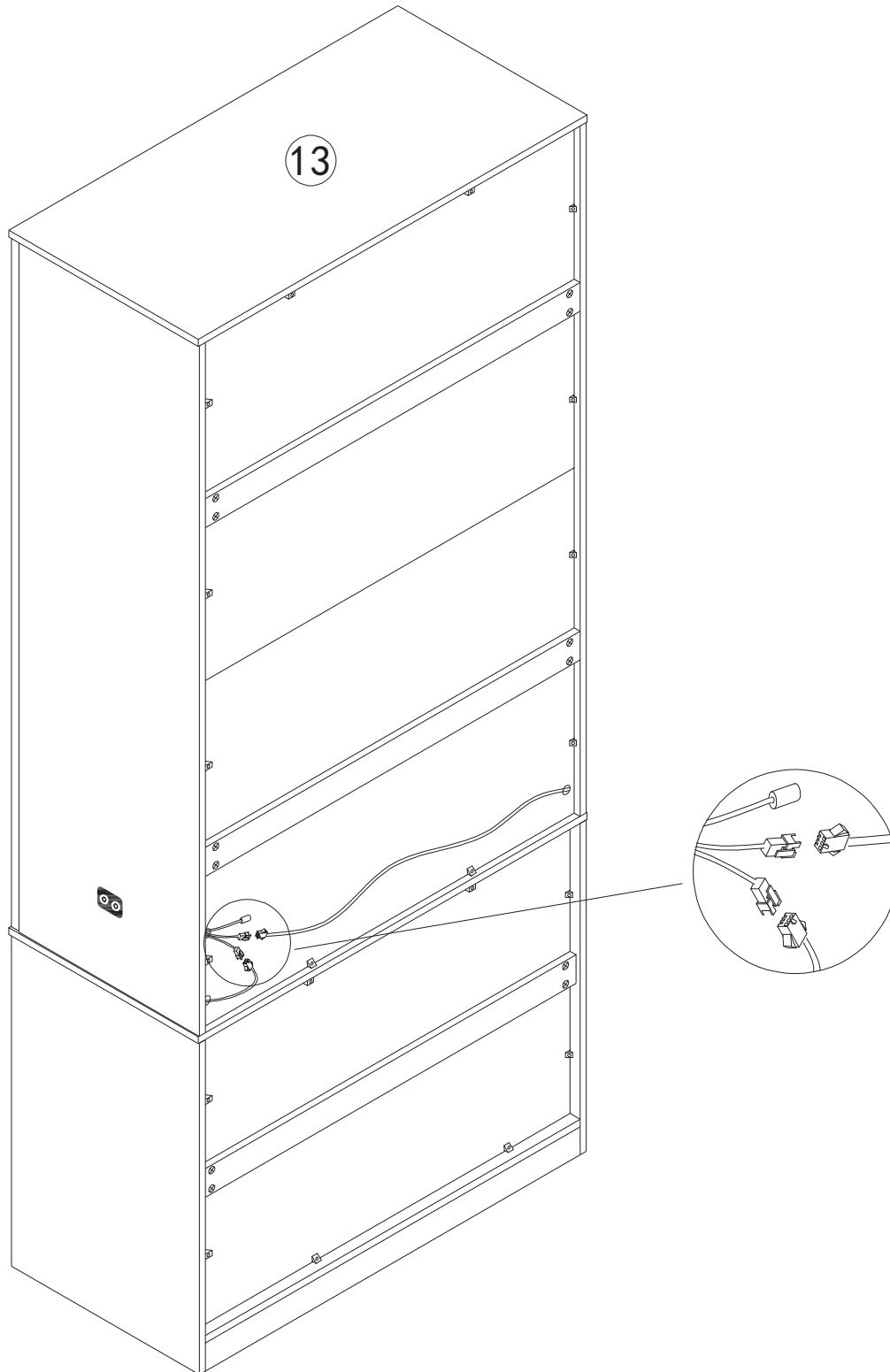
37

# Step 43

L

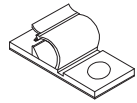


Step 44

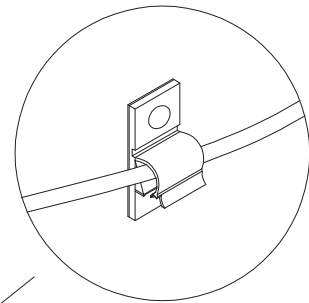
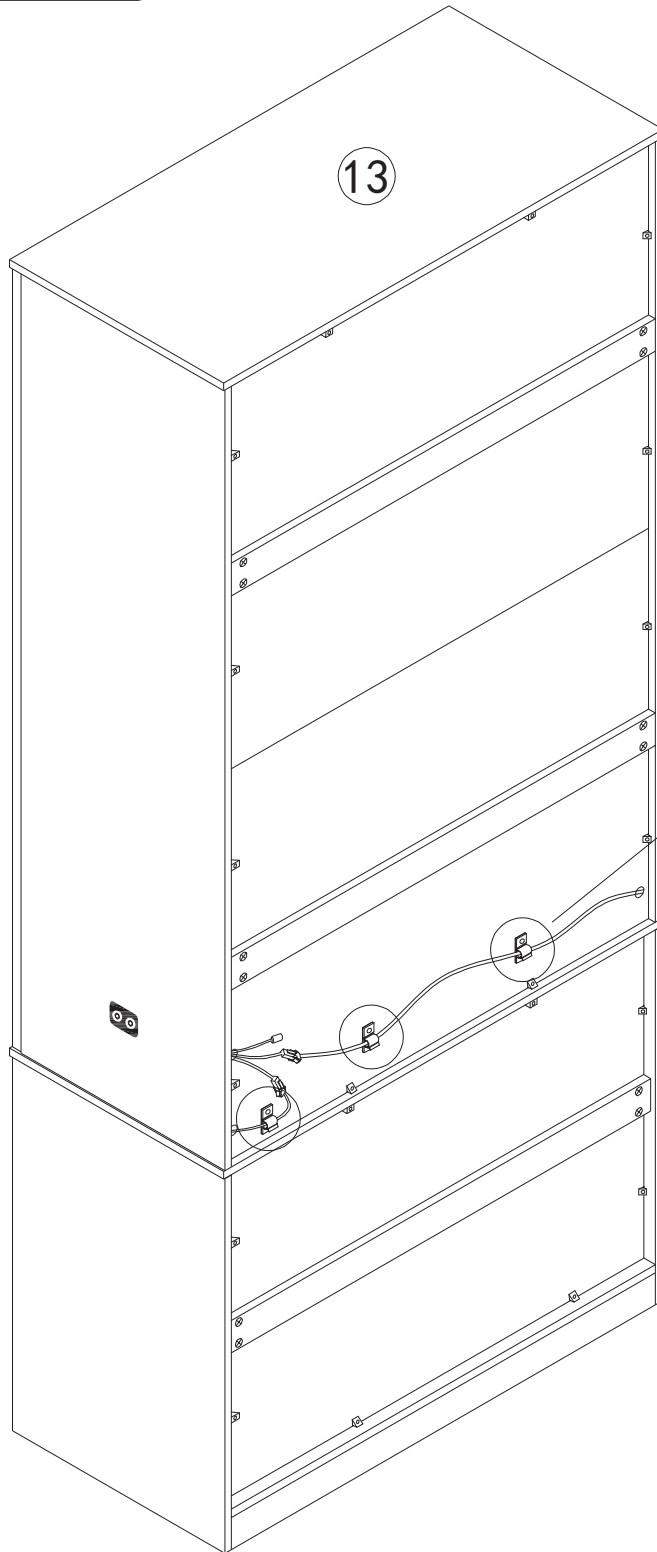


Step 45

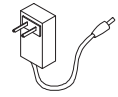
M



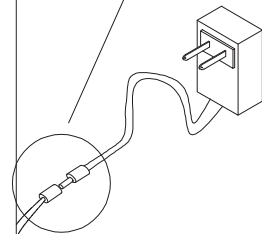
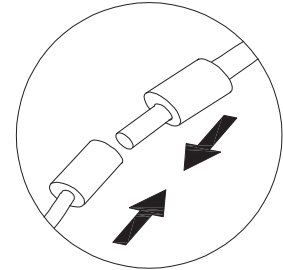
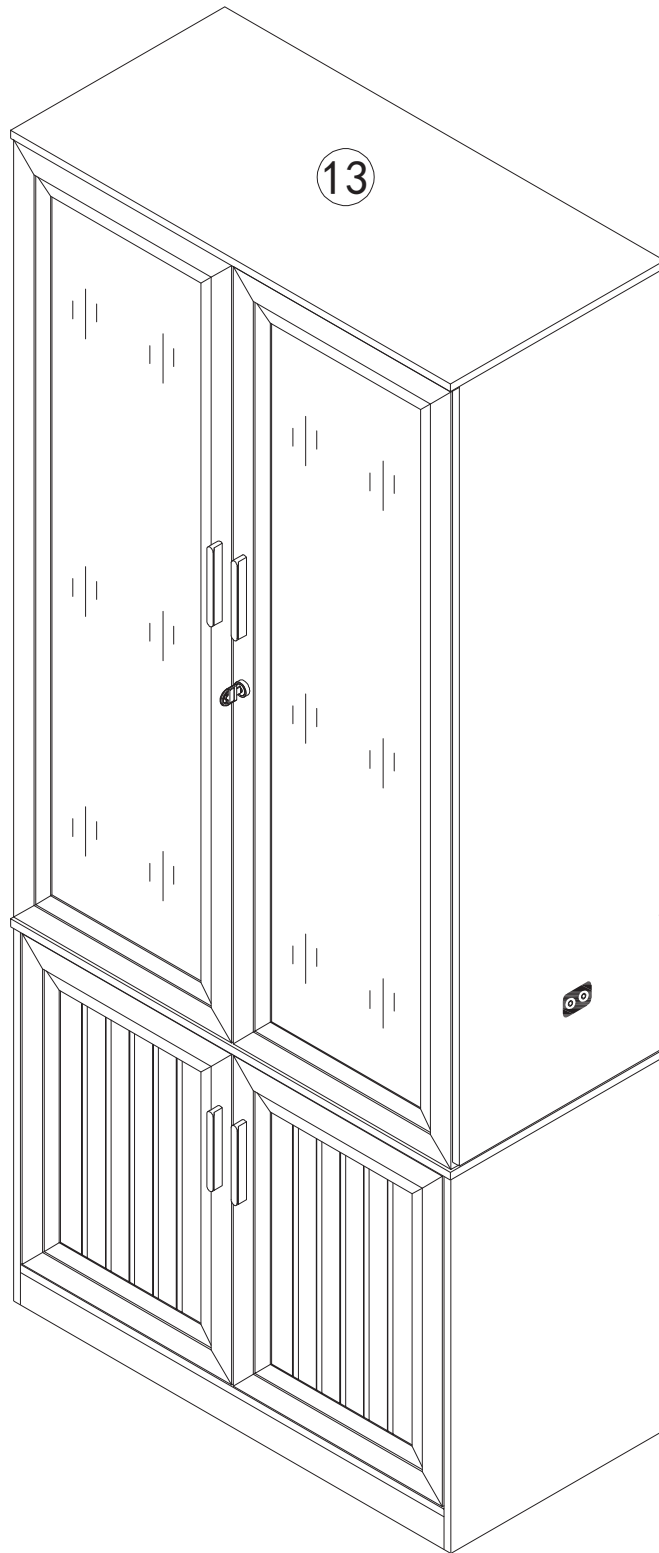
x3



Step 46



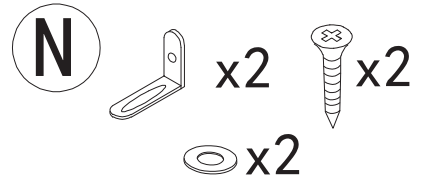
x1



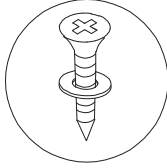
41

Step 47

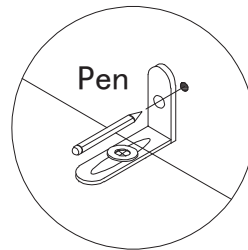
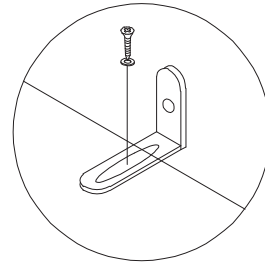
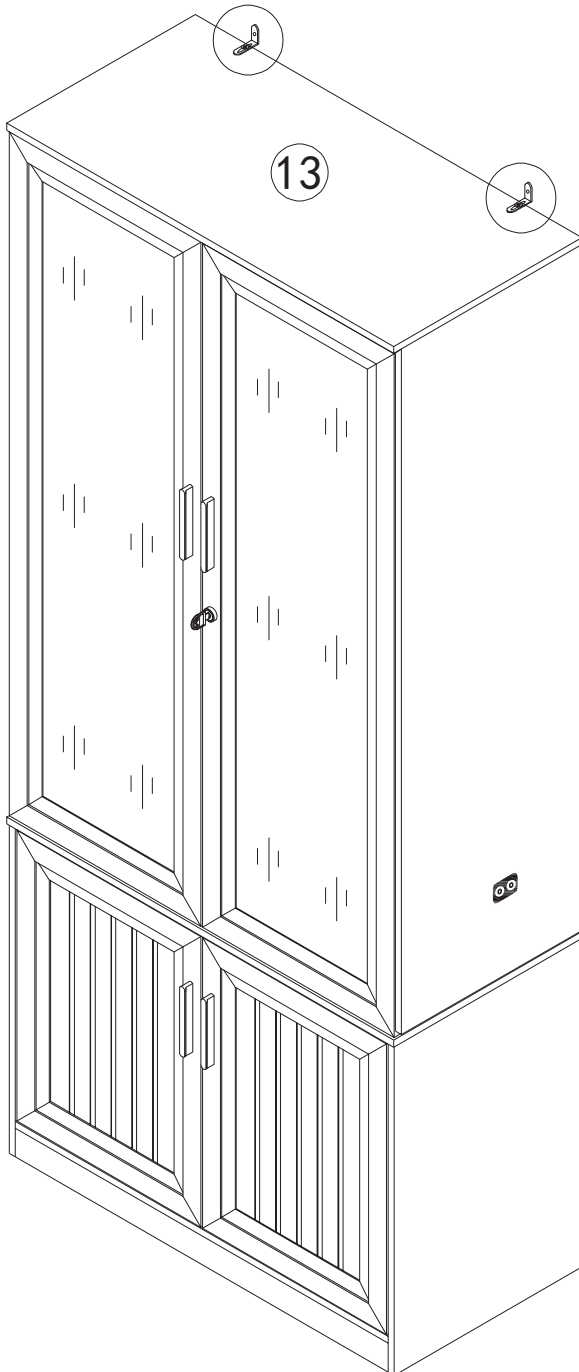
Install as required



3.5x14mm

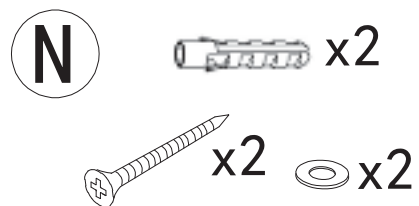
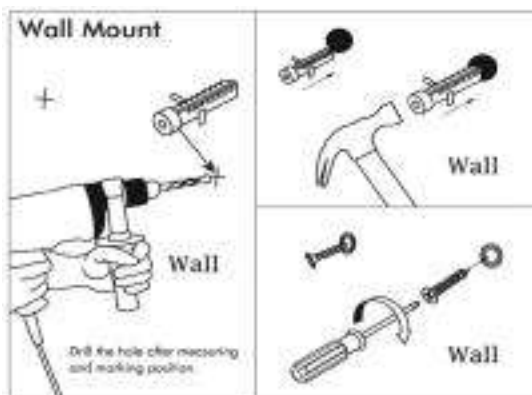


Install the anti fall hardware on the cabinet as shown in the picture first

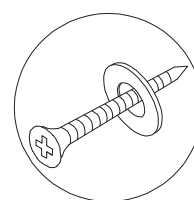
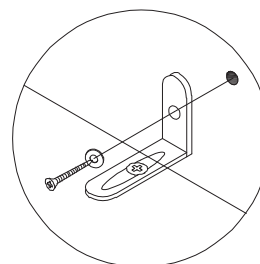
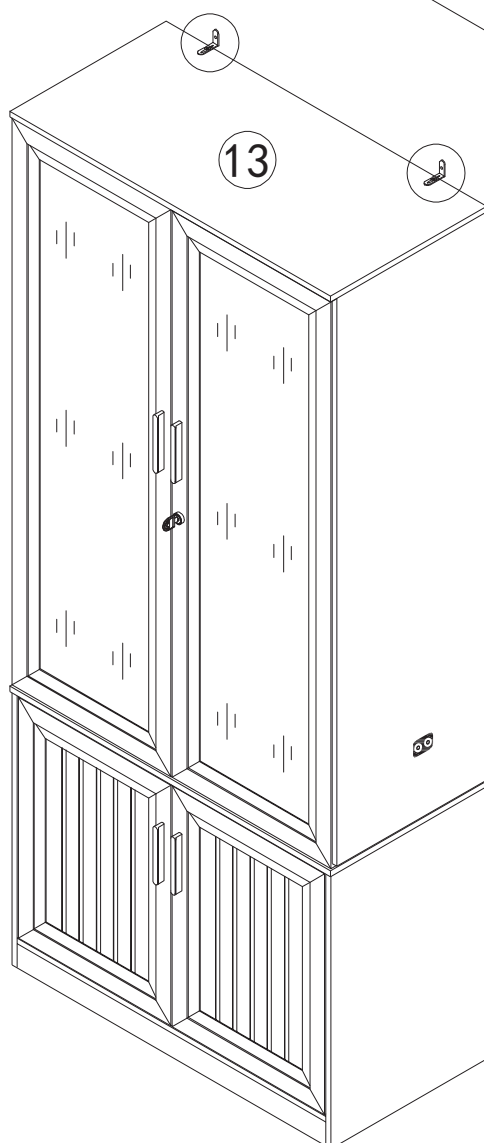


Then mark the wall with a pen through the holes in the anti-fall hardware

## Step 48



Drill the hole with an electric drill and punch in the colloidal particles



4x45mm

Fix the dressing table to the wall

43

## User's Guide

Thank you for purchasing this product. To use this product, please plug it into a 12V DC power supply. Please use if the product works normally after connecting to power.

## Introduction

The box is an intelligent controller with 2 touch buttons. It can turn ON/OFF the light, change light colors, and adjust the light luminance.

## Product Show



### ATTENTION PLEASE

1. If there is no touch response suddenly, Re-plug the power to reset the touch static electricity.
2. If bubbles appear on the panel, remove the protective film.

## Operation



This touch button is used to turn on/off, change colors, and adjust brightness.

A. Short touch -> lighting on -> short touch -> change light color -> short touch -> change light color -> short touch -> lighting off. B. Long touch -> adjust the luminance



This touch button is used to turn on/off the induction function.

A. Short touch to turn on the induction function. It can auto-turn on the light when people are close to the controller in 1 meters. It can auto power off the light when the body is far away from the controller after 30 seconds.

B. Long touch to turn off the induction function.

C. Note: When you touch the light button to change the light modes, the induction function will automatically turn off. It is best to turn on this function after selecting the light color and adjusting the brightness you want.