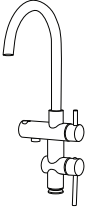

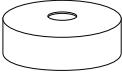


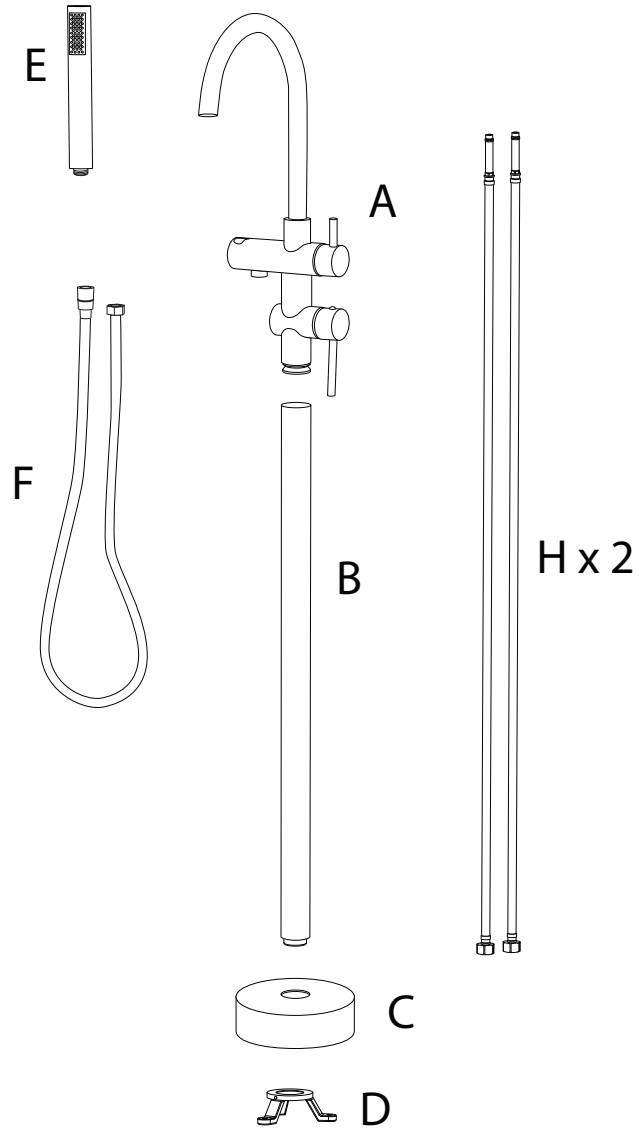
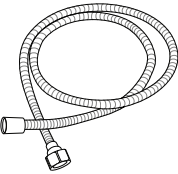

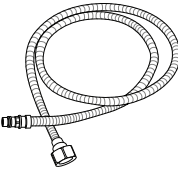


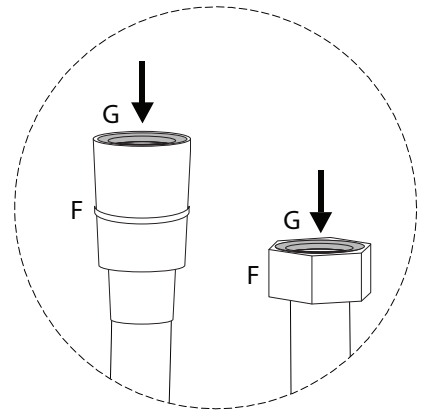
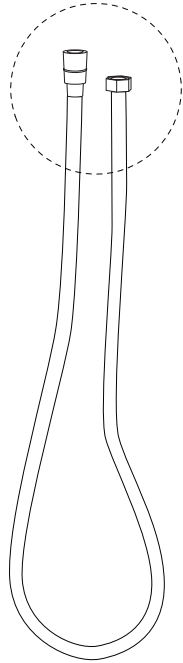

		20'
		1

A  x 1	B  x 1	C  x 1	D  x 1	E  x 1
---	---	---	--	---



F  x 1	G  x 2	H  x 2	I  x 3	J  x 1
---	---	---	---	---

!



1

B

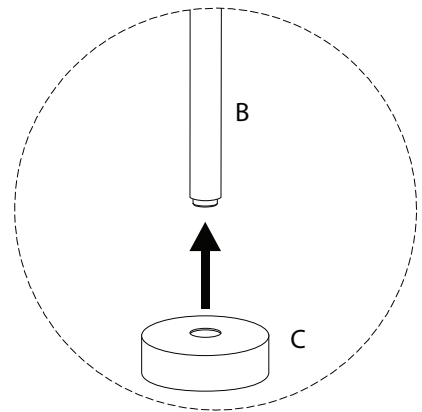
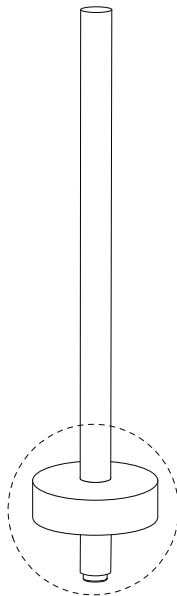


x 1

C



x 1



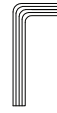
2

D

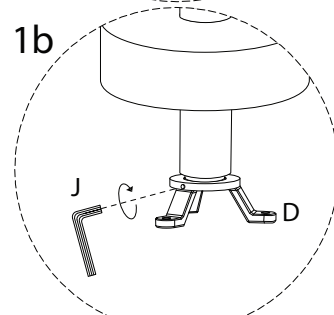
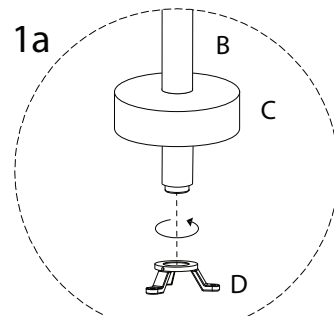
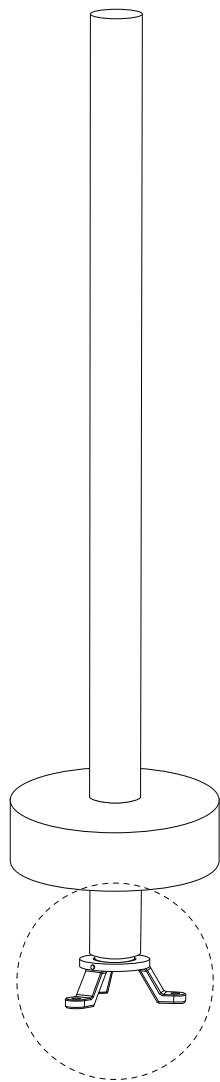


x 1

J



x 1

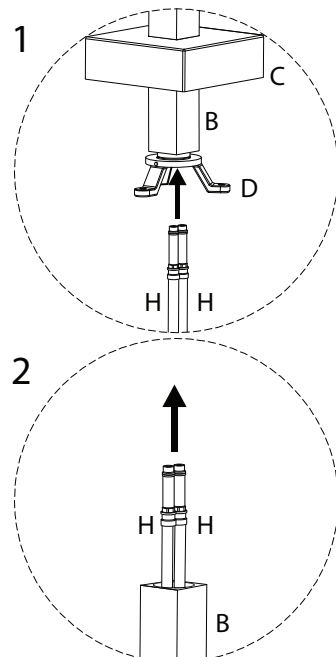
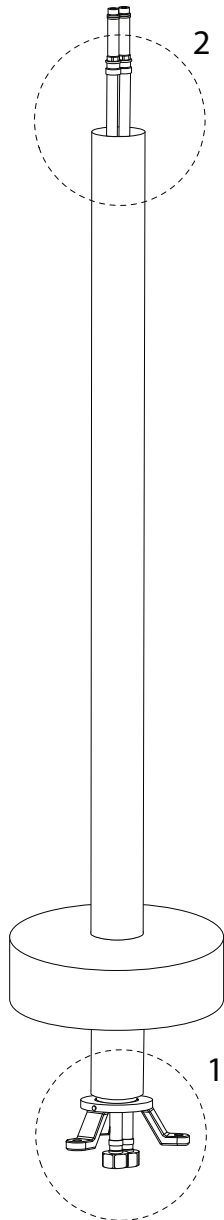


3

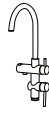
H

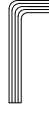


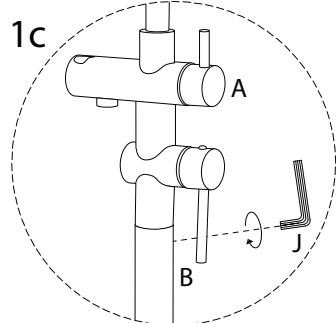
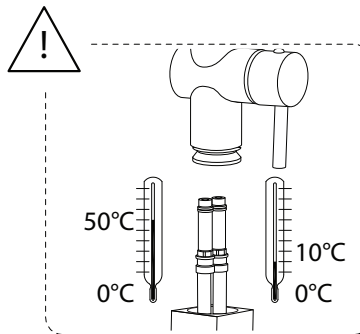
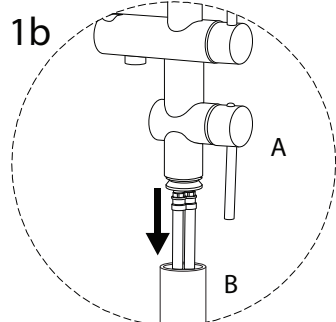
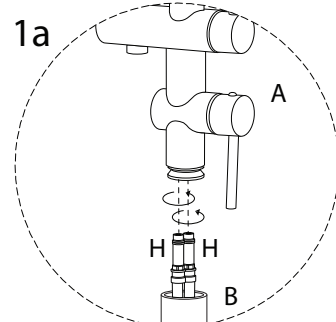
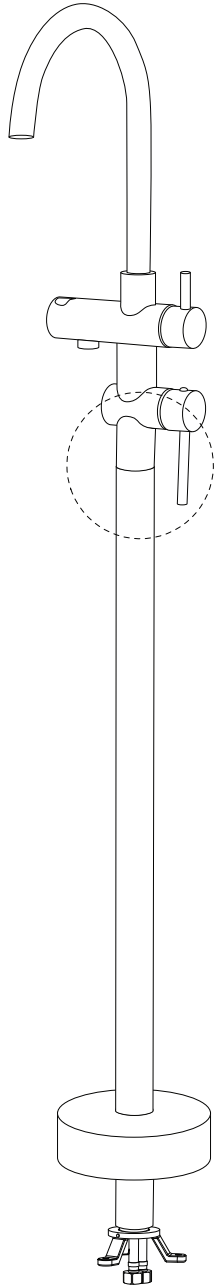
x2



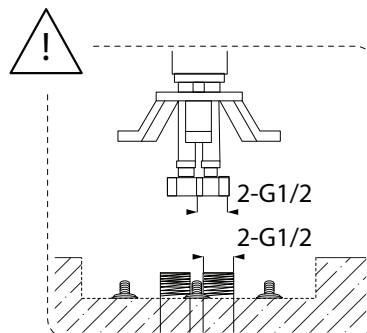
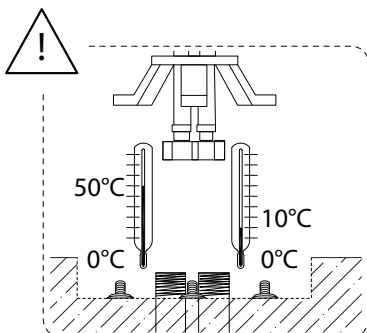
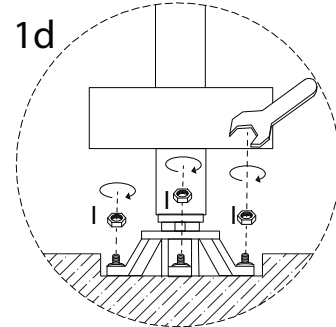
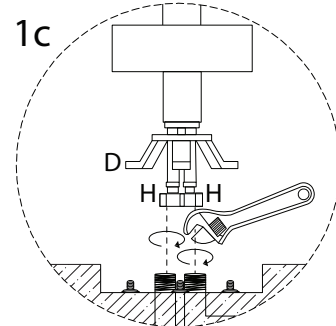
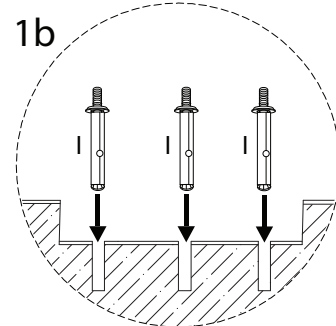
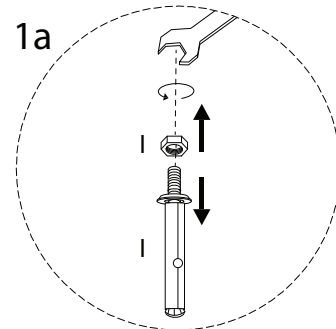
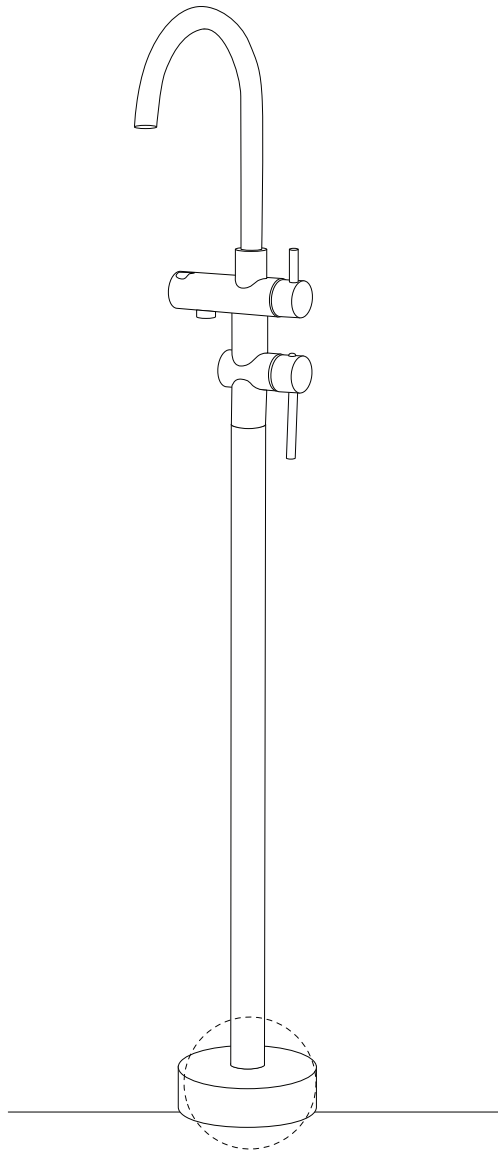
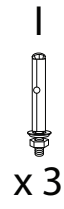
4

A

x 1

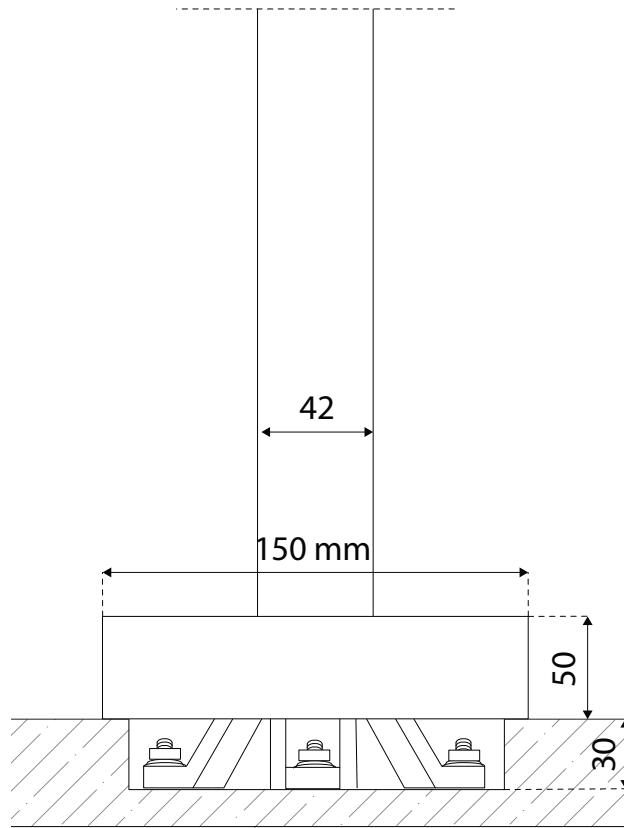
J

x 1



5



!



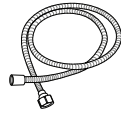
6

E



x 1

F



x 1

G



x 2

