

CARPORT USER MANUAL

10 X 20 FT

13 X 20 FT

⚠ Attention:

Please read the manual completely before starting the installation(A ladder & an electric drill are recommended for the assembly.)

1. Please confirm that the parts are complete and undamaged.

(Corresponding part number is affixed to each part)

If any parts are missing or damaged, please contact the customer support email to reissue or contact seller.

1.1 customer support email: dexso_service@outlook.com

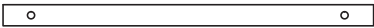
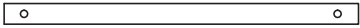



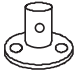
Please Contain: ① Order number ② Model number ③ Item Number ③Photos of the missing/damaged parts(optional)






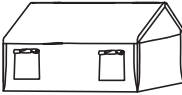
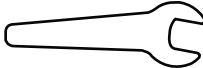
1.2 Steps to Contact seller (amazon.com orders only):

Step 1: Log into your Amazon account

Step 2: Go to “Your Orders” and find the purchase

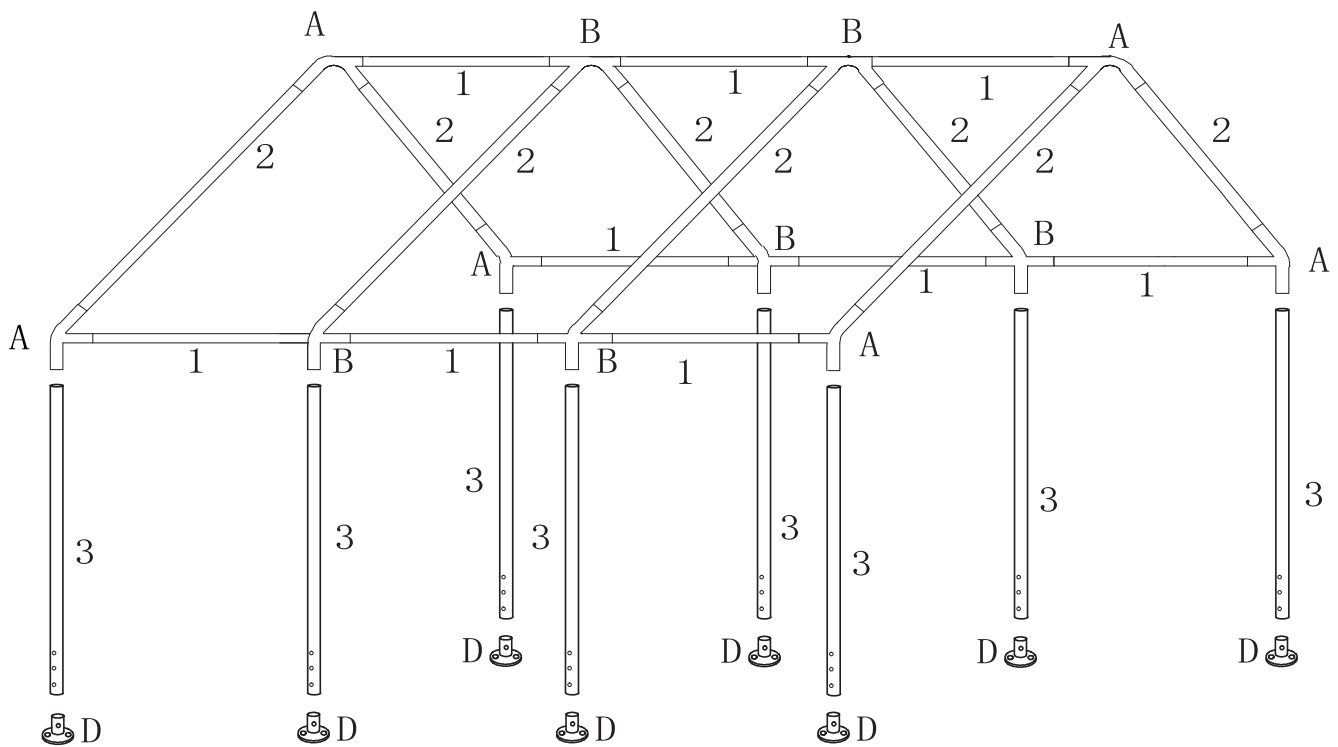
Step 3: Click on “Contact Seller”

Item NO.	Item Name	Reference Image	Qty.
1	Steel Pipe		9 PCS
2	Steel Pipe		8 PCS
3	Steel Pipe		8 PCS
A	3-Way Corner Connector		6 PCS
B	4-Way Corner Connector		6 PCS
D	Foot Plate		8 PCS

Item Name	Reference Image	Qty.
Ground Peg		24 PCS
M6 x 50MM Screw		8 PCS + 2 PCS Spares
Rope		8 PCS
Anchor		4 PCS
Bungee Cords		56 PCS + 3 PCS Spares
Top Cover		3 PCS
		

2. Arrange and classify the parts neatly to facilitate installation.

This is the part structure diagram of our product, you can combine this diagram and follow the steps to install




3. Start installation works


Step 1:

Assemble the long pipes required on the top of the carport (the length after connection is 20 feet), a total of three. You will use ① x 3 pcs, A x 2 pcs, B x 2 pcs for each pipe.


Part Required



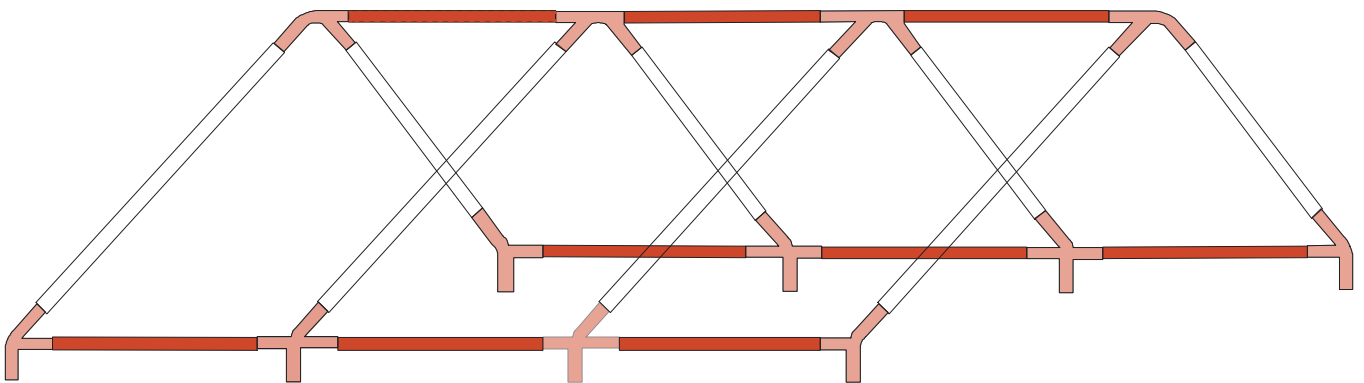
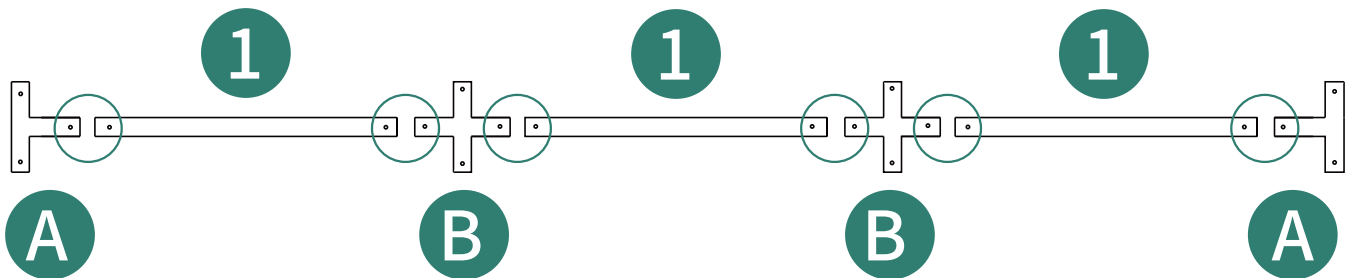
① 9 PCS



Ⓐ 6 PCS



Ⓑ 6 PCS



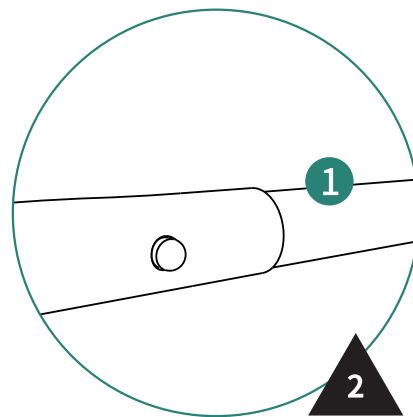
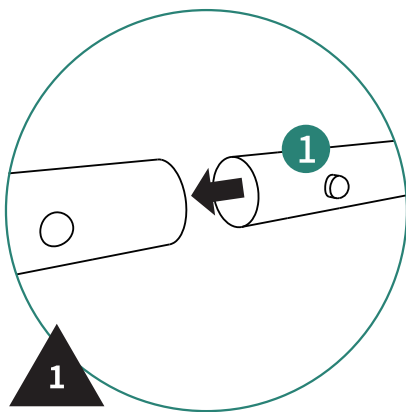
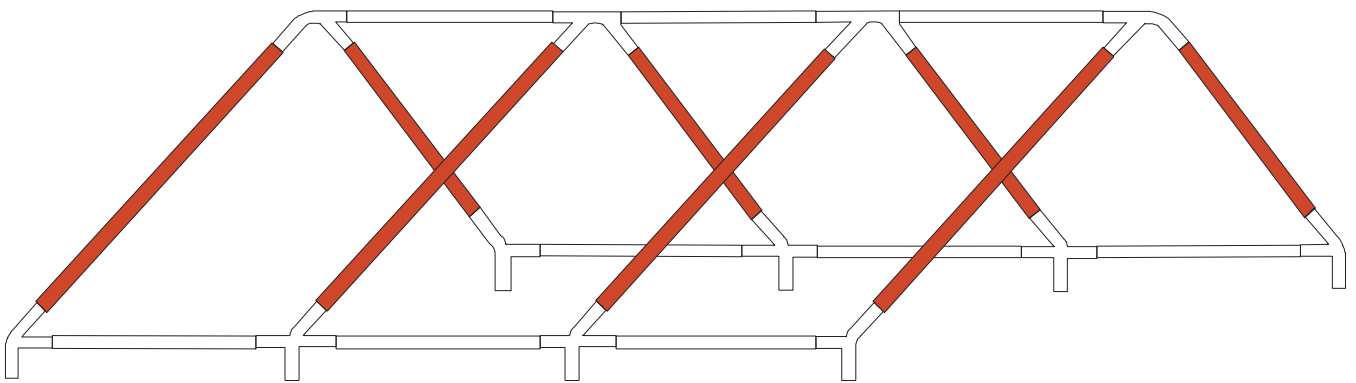
Step 2:

Connect the obtained three 20 Feet long pipes with the pipe ② to get the carport roof frame.

Part Required



② 8pcs



Step 3:

Put the Top Cover on the top frame and fasten the door side with bungee cords. You will use 6 bungees for each side.

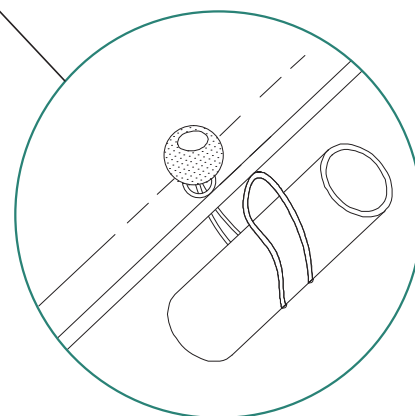
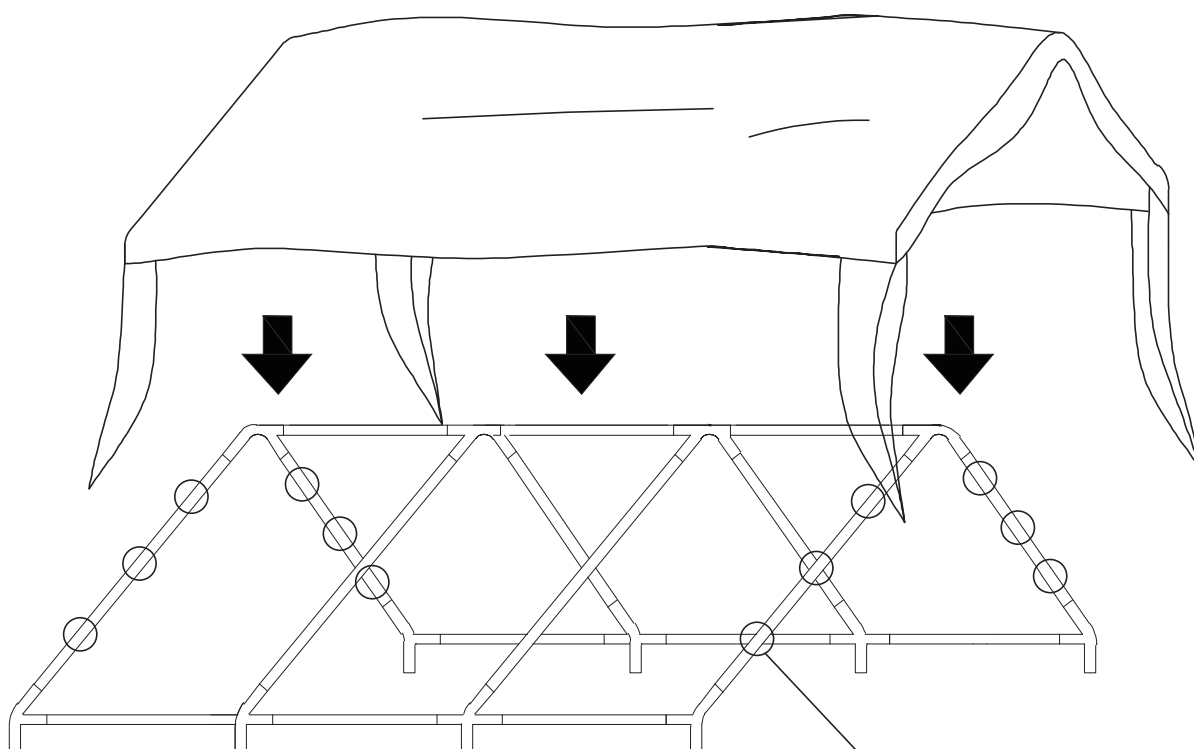
Part Required



1 PC



12 PCS

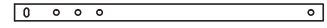


⚠ Attention: Be sure to cover the top cover at this time, otherwise the subsequent installation will not work normally

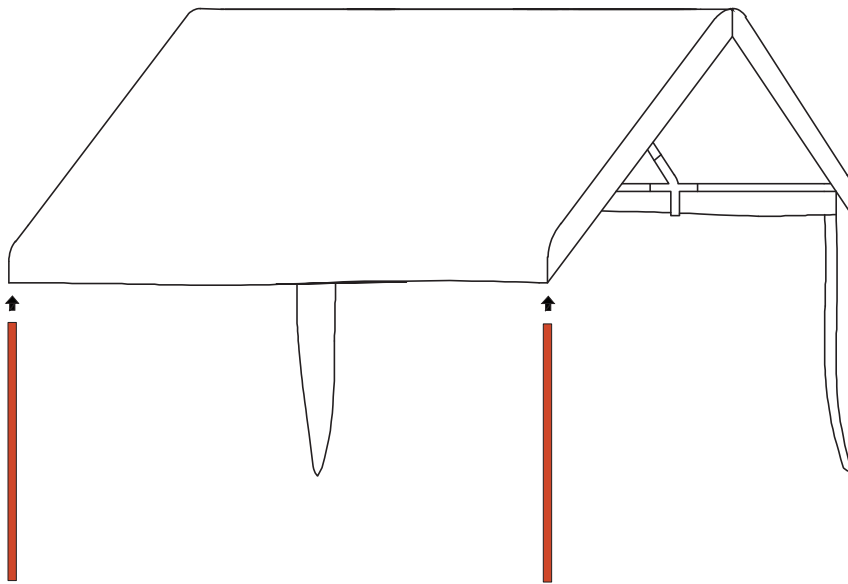
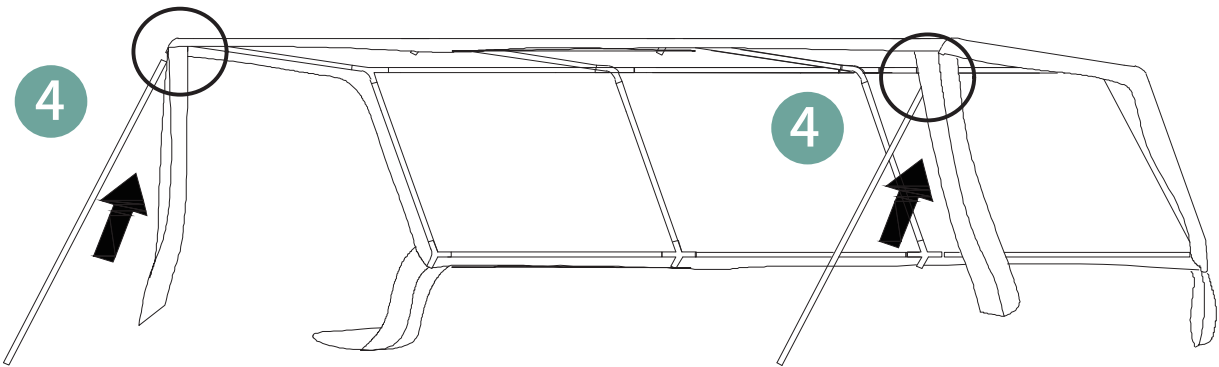
Step 4:

Connect 2 pipe ③ with the top frame.

Part Required



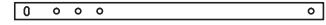
③ 2pcs



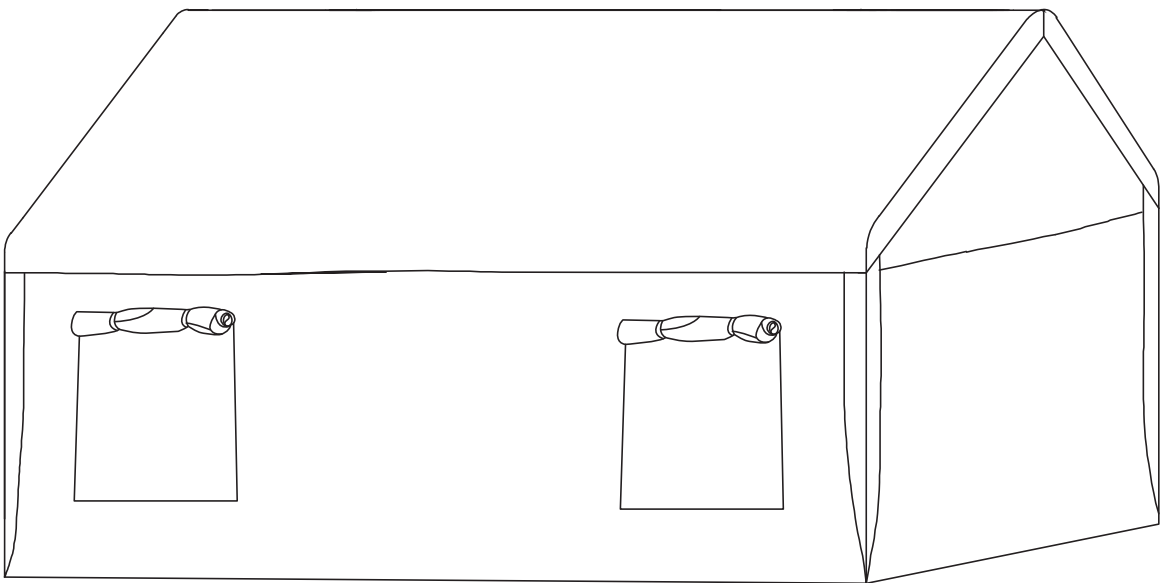
Step 5:

Connect 2 pipe ③ with the top frame.

Part Required



③ 2pcs



Step 6:

Repeat the Step 4 & Step 5 to install another side.

Part Required



③ 2pcs



③ 2pcs

Step 7:

Connect the pipe D with ③ pipe that already installed, at this point you will get a complete carport frame with roof.

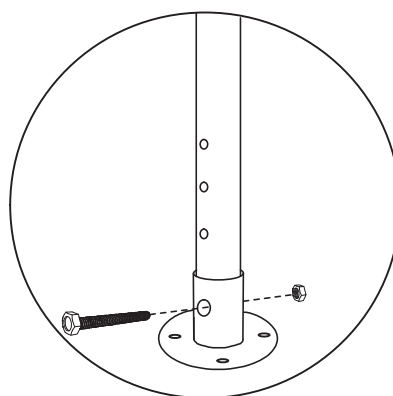
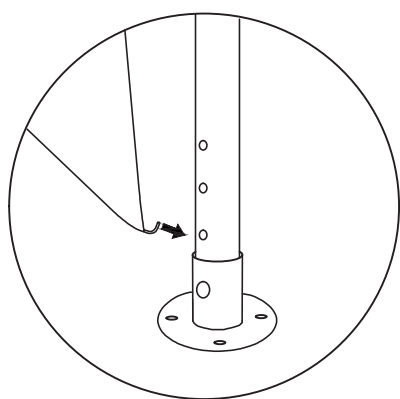
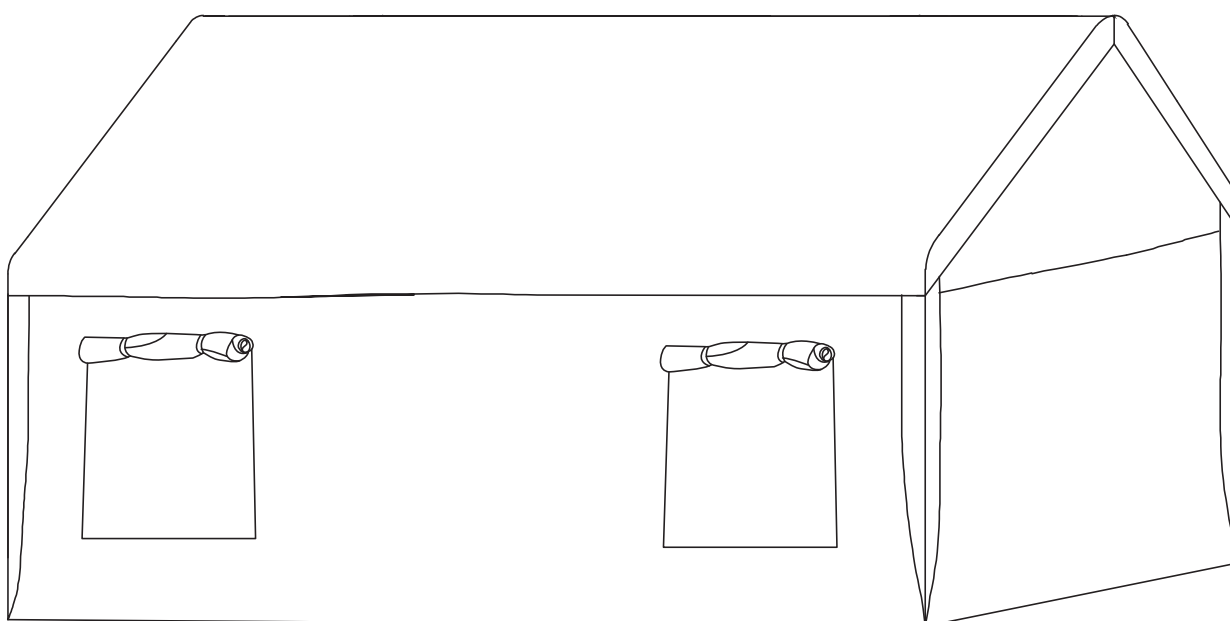
Part Required



8pcs



8pcs



Step 8:

Fix the drawstring and tent feet to the ground.

Part Required

- $\phi 3$
24pcs
- 4pcs
- 8pcs

