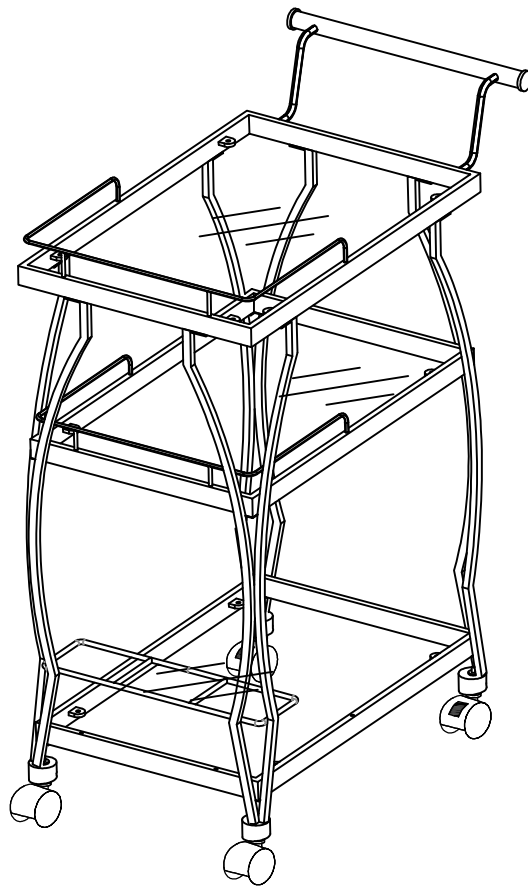


Assembly Instructions

For more information contact our team.



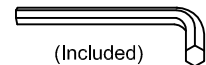
ASSEMBLY RATING

The Assembly Rating is a 5-point system that shows the degree of effort needed in assembling a specific product (with 1 being easy and 5 being difficult). For some products, two persons are recommended.



Tools Required For Assembly:

Allen Wrench

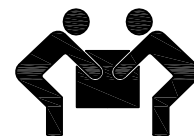


(Included)

Phillips Screwdriver



(Not Included)



2 PERSONS RECOMMENDED

ASSEMBLY & CARE ADVICE

FOR YOUR FURNITURE TO LAST, CORRECT ASSEMBLY AND PROPER MAINTENANCE ARE NECESSARY. PLEASE FOLLOW THE INFORMATION PROVIDED BELOW TO FULLY ENJOY YOUR FURNITURE.

BASIC ASSEMBLY TECHNIQUES



When lock or spring washer is used in an assembly, please make sure the lock or spring washer is placed between the larger flat washer and the head of the screw or bolt.



Position each part correctly and insert screws or bolts into their respective holes by hand tighten or using the proper hand tool. Only tighten when step is completed or when instructed to do so.



Use cardboard or carpet area when assembling furniture to prevent scratches. Make sure the furniture rests on a flat and level surface with each leg evenly touching the floor.



Some furniture comes with height adjustment knobs underneath each leg. To lower or to raise each leg, you need to turn clockwise or counterclockwise, respectively.



Make sure all parts are properly aligned, then use the appropriate hand tool to completely tighten the bolts or screws. Do not use power tools and do not overtighten.

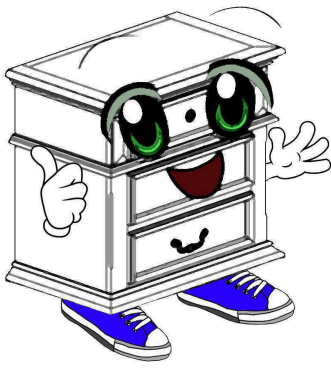


Save the instructions and store the Allen wrench or any supplied tool for later maintenance. After two weeks, check and tighten any loose hardware and repeat again every six months thereafter.

IT IS THE USER'S RESPONSIBILITY TO MAINTAIN THE FURNITURE. THE HARDWARE MAY LOOSEN OVER TIME AND MAY CAUSE THE FURNITURE TO BE WOBBLY AND UNABLE TO SUPPORT ITS INTENDED WEIGHT CAPACITY. THIS MAY LEAD TO COLLAPSE AND MAY CAUSE SERIOUS INJURY.





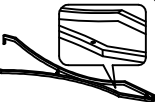
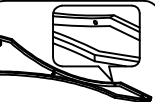



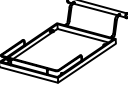



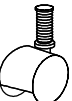
FAILURE TO FOLLOW THE GUIDELINES ABOVE MAY RESULT IN INJURY AND/OR PROPERTY DAMAGE.



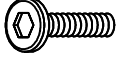



Before you begin, please read Page 2 of "Assembly and Care Advice".

And remember, do not tighten until each step is completed or instructed.

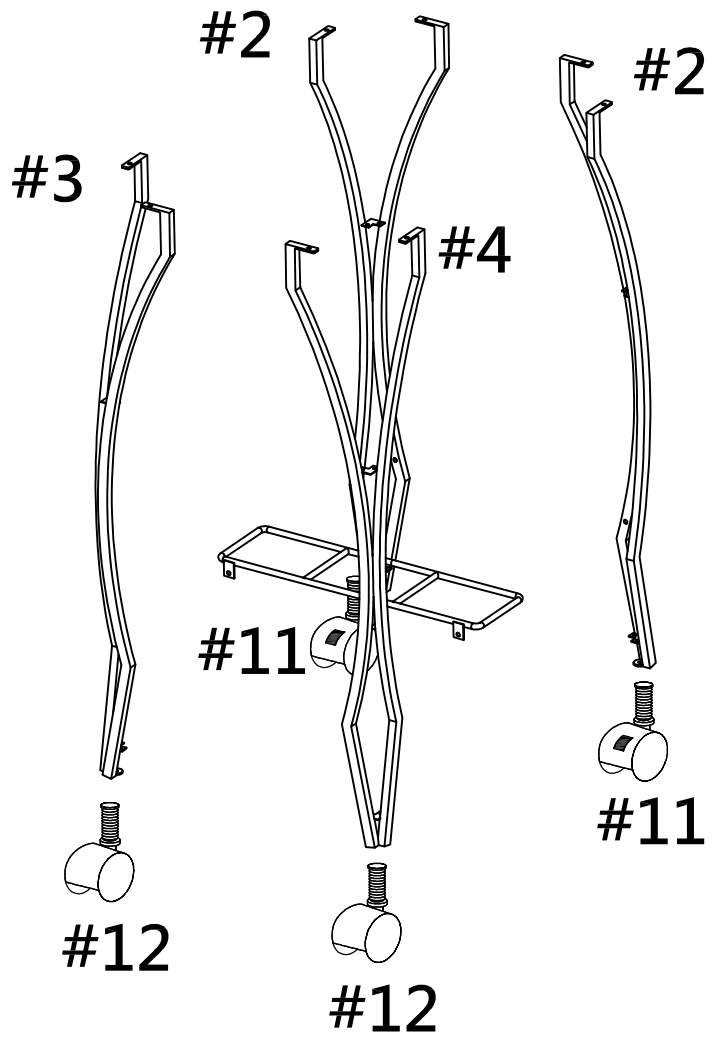
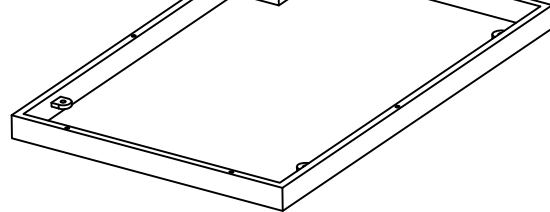
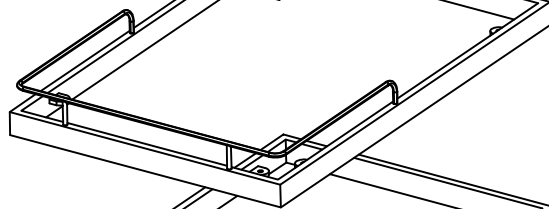
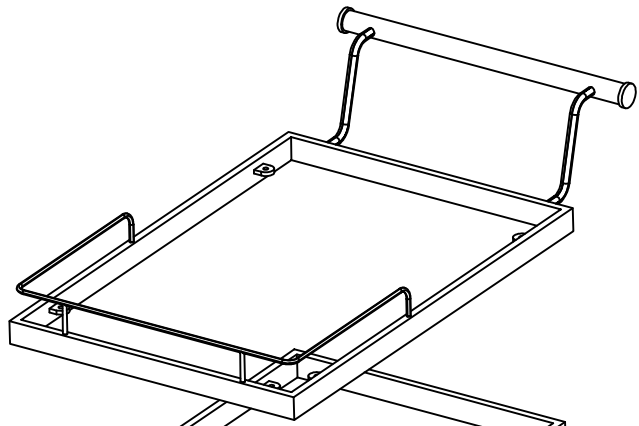
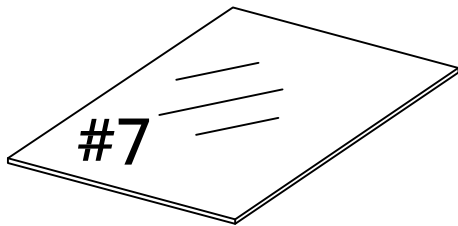
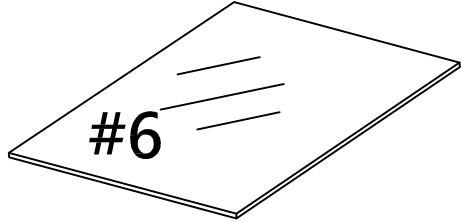
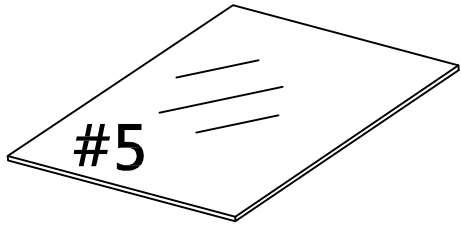
Parts List

-  # 1 x 1pc
Wine Frame
-  # 2 x 4pcs
Back Leg
-  # 3 x 1pc
Left Leg
-  # 4 x 1pc
Right Leg
-  # 5 x 1pc
Glass Top
-  # 6 x 1pc
Glass Shelf
-  # 7 x 1pc
Bottom Mirror
-  # 8 x 1pc
Top Frame
-  # 9 x 1pc
Middle Shelf Frame
-  # 10 x 1pc
Bottom Shelf Frame
-  # 11 x 2pcs
Caster W/Brake
-  # 12 x 2pcs
Caster

Hardware List

-  # A x 26pcs
Bolt 1/4" x 13mm
-  # B x 12pcs
Glass Bumper
-  # C x 2pcs
Bolt 3/16" x 10mm
-  # D x 1pc
Allen Key

Exploded View





DO NOT FULLY TIGHTEN ALL BOLTS UNTIL ASSEMBLY COMPLETED.

#2

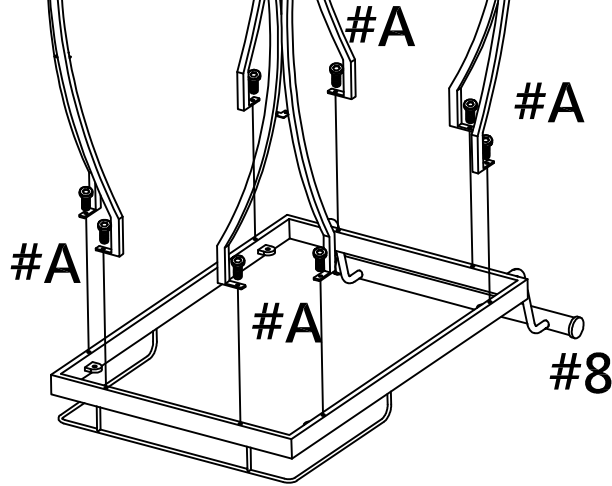
#2

#4

#3

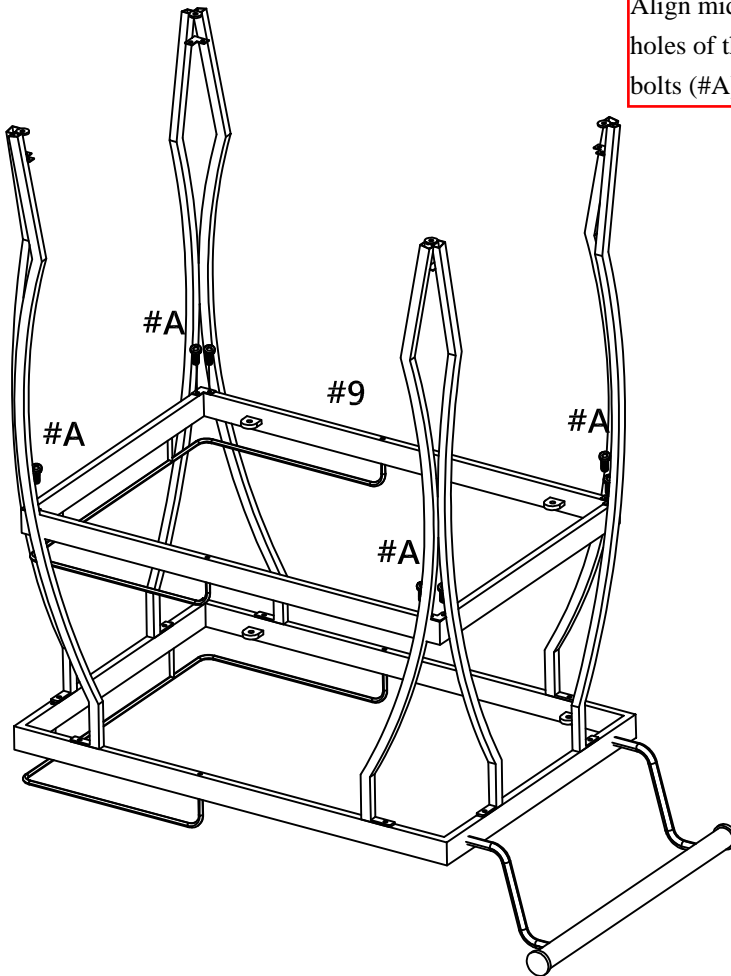
Align legs (#2,3,4) to the holes of the top frame (#8), then secure by using bolts (#A).

#A 8pcs



#A 8pcs

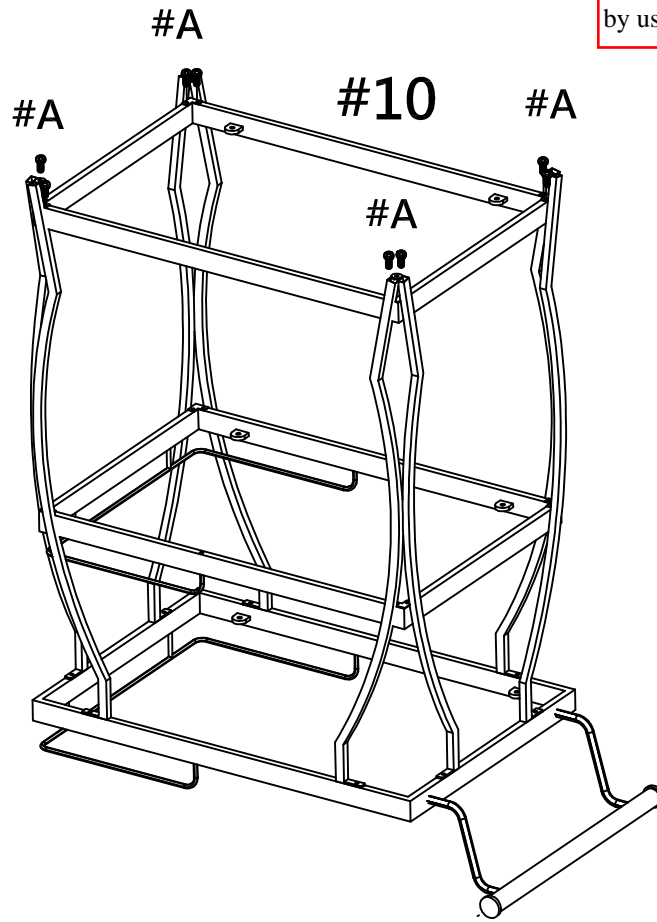
Align middle shelf frame (#9) to the holes of the legs, then secure by using bolts (#A).





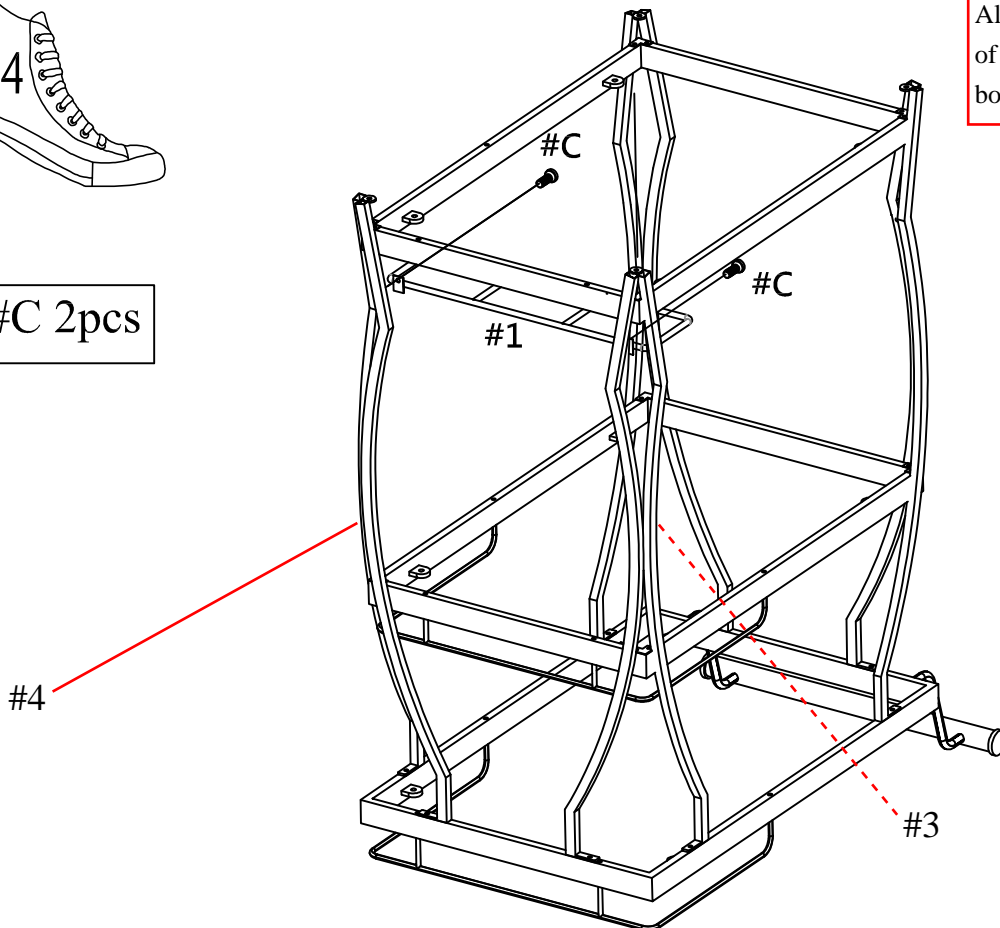
Align bottom shelf frame (#10) to the holes of the legs, then secure by using bolts (#A).

#A 8pcs



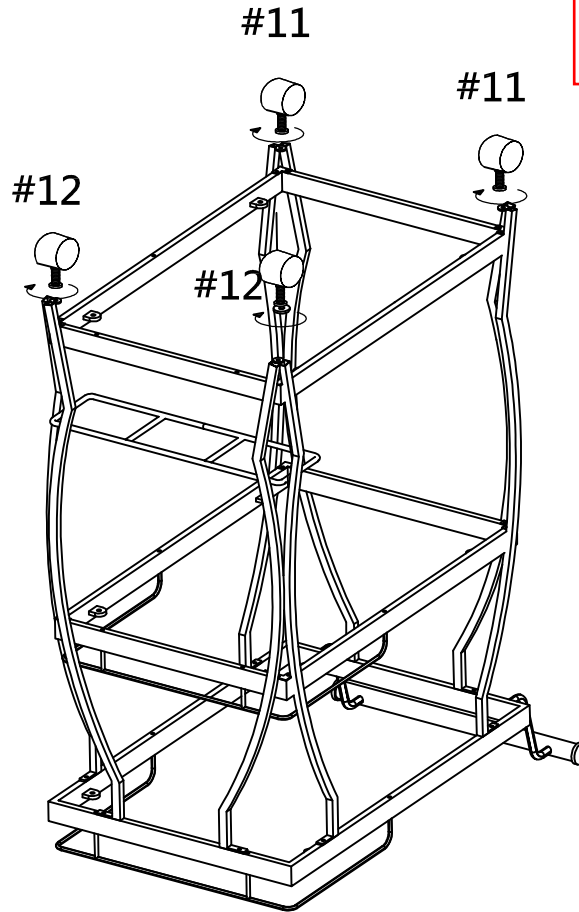
Align wine frame (#1) to the holes of the legs (#3,4). Secure by using bolts (#C).

#C 2pcs

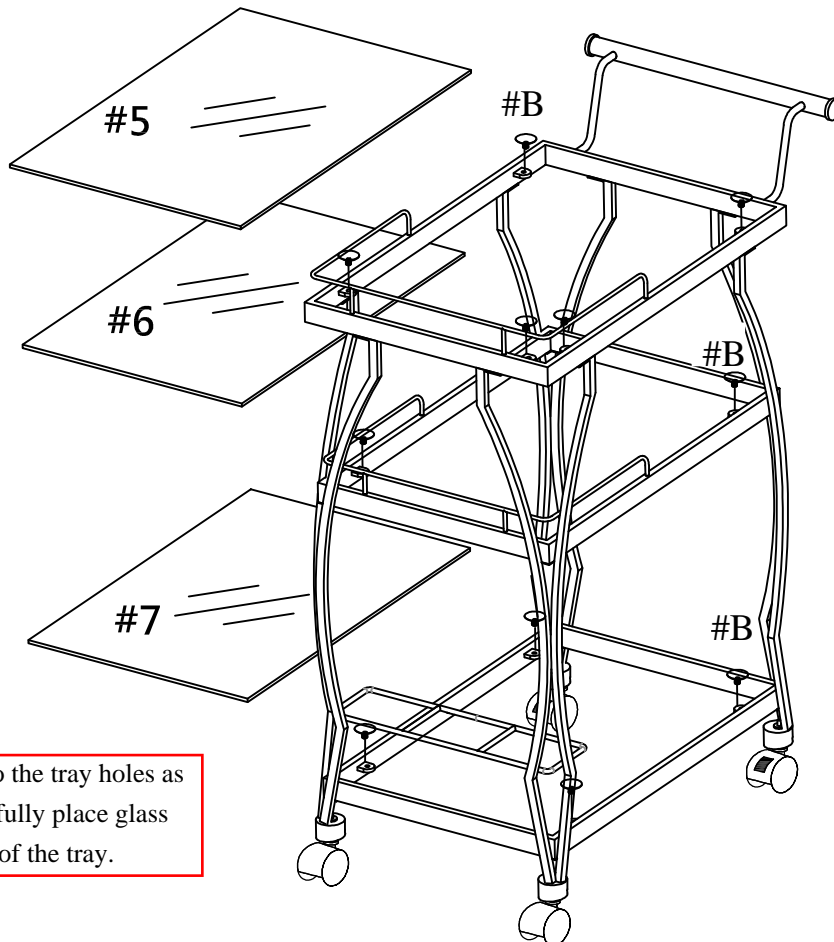




Align wheels (#11,12) to the holes of the legs. Make sure it is firmly in place.



#B 12Pcs



Attach suction cups (#B) to the tray holes as shown in the diagram. Carefully place glass (#5,6,7) to the suction cups of the tray.