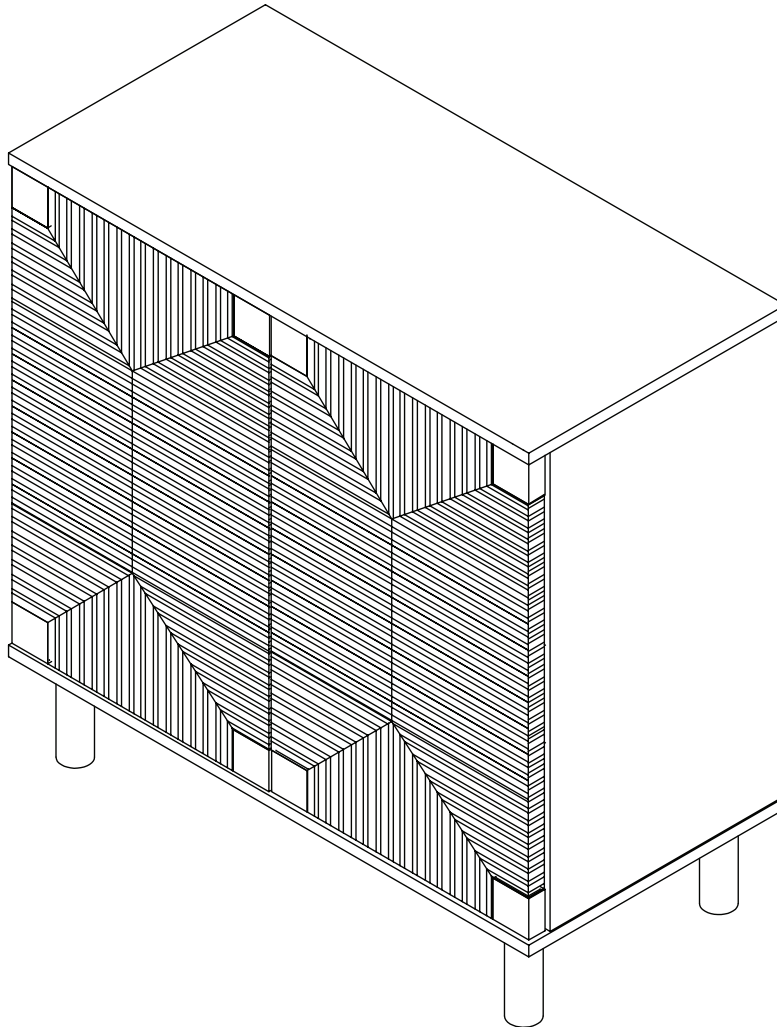


Let's build the

Beacon Storage Unit

SKU 71401



Scan me!

Inspiration
Digital Instructions
Free Lifetime Warranty

nathan james

22-0920

Ok, let's get rolling

This should be easy, just follow our instructions and you will be back to Netflix in no time.

Estimated time for assembly



60:00

What you need

- Some of your favourite bubbly or your preferred relaxant
- Use the packaging carton as a working surface to prevent product damage during assembly
- Phillips head screwdriver

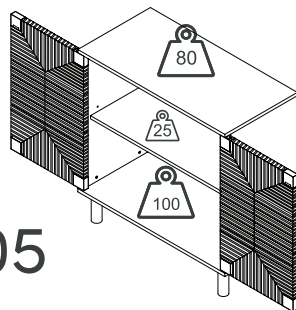
Do not use a drill



Weight Limitation



205 lbs



What's included

Description	Qty
A Left Side Panel	1
B Upper Back Stretcher	1
C Lower Back Stretcher	1
D Upper Front Stretcher	1
E Right Side Panel	1
F Bottom Panel	1
G Legs	2
H Center Leg	1
I Back Panel	1
K Shelf Panel	1
L Right Door	1
M Left Door	1
N Top Panel	1

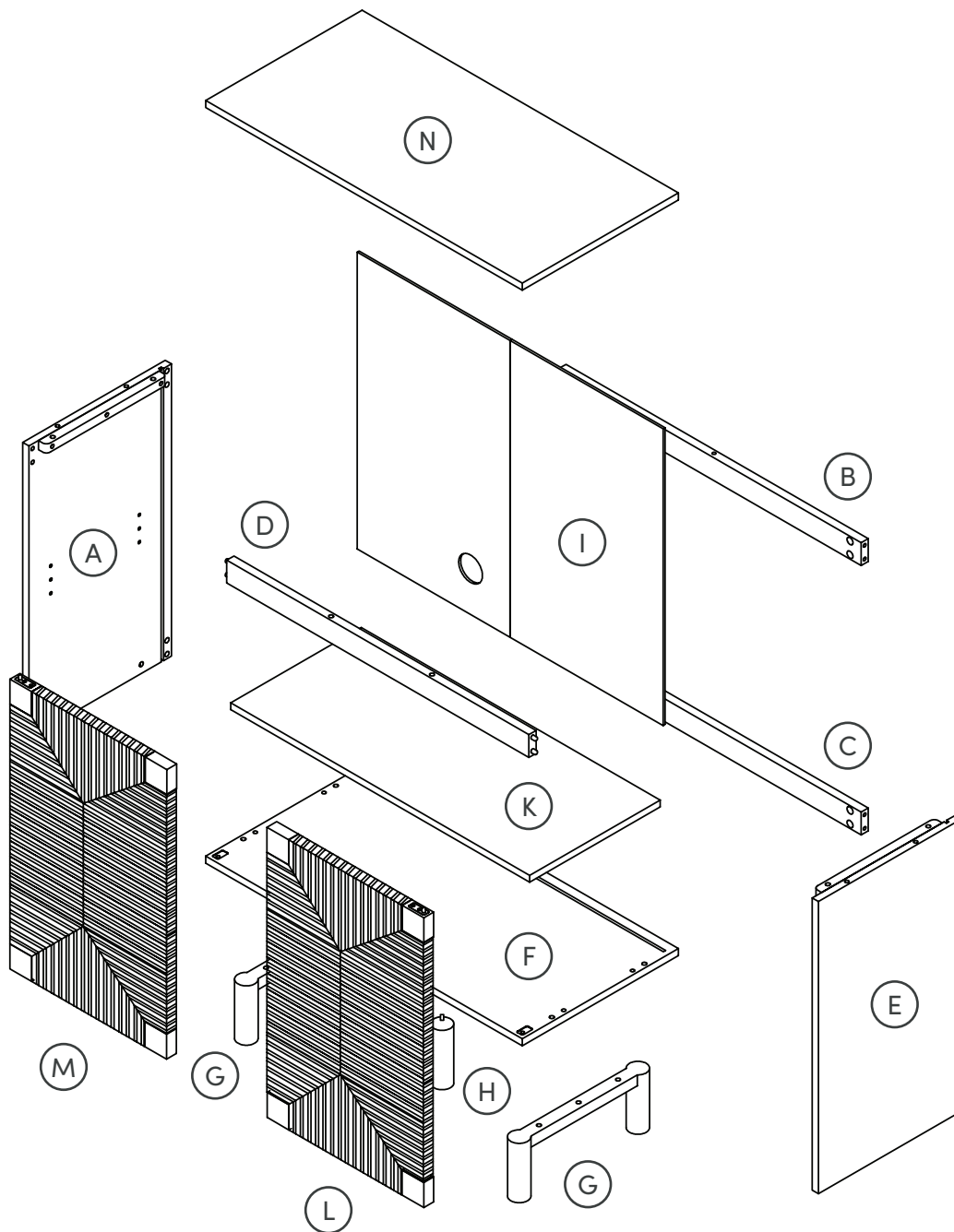
Scan me!

Inspiration
Digital Instructions
Free Lifetime Warranty



Toll-free at 1-866-619-1004
Help@nathanjames.com
Nathanjames.com/help

The goods



IMPORTANT

1. Do not tighten bolts / screws completely until all bolts / screws are lined up and inserted into holes.
2. Do not over tighten screws and bolts to avoid stripping.
3. Please use hand tools to assemble this product. Do not use power tools.

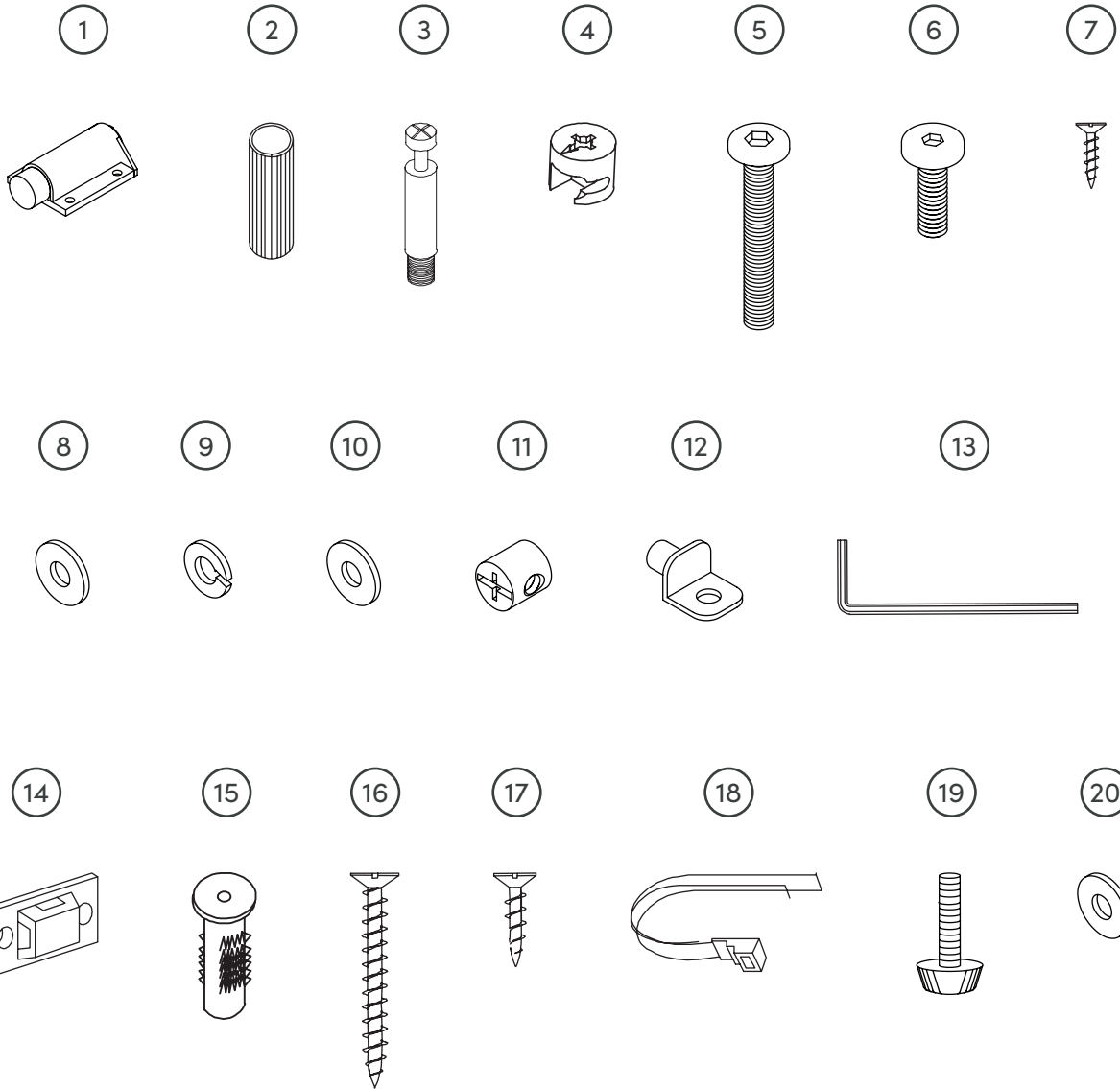


What's included

	Description	Qty
1	Magnetic Push Latch	2
2	8*30mm Wooden Dowel	8
3	Cam Bolt	9
4	Cam Lock	9
5	Long Bolt ¼*38mm	13
6	Short Bolt ¼*25mm	4
7	M3*15mm Screw	12
8	Flat Washer	17
9	Spring Washer	17
10	Plastic Washer	4
11	T Nuts	5
12	Shelf Support Tab	4
13	Allen Key	1
14	Plastic Bracket (Anti-Tip Kit)	2
15	Plastic Anchor (Anti-Tip Kit)	2
16	M4*40mm Screw	2
17	M3.5*15mm Screw	2
18	Plastic Strap (Anti-Tip Kit)	1
19	Leveler (Extra)	3
20	Plastic Washer (Extra)	4

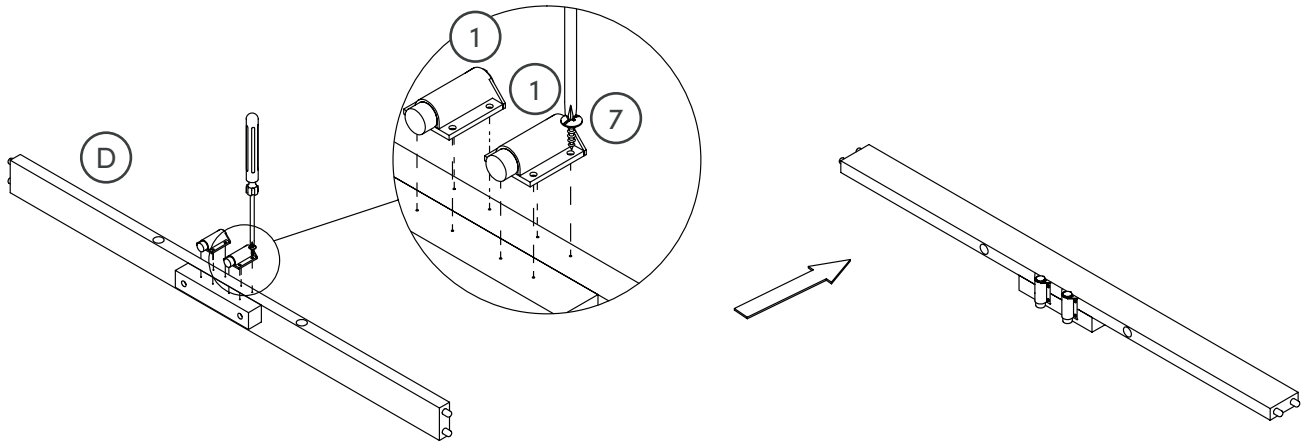


The goods



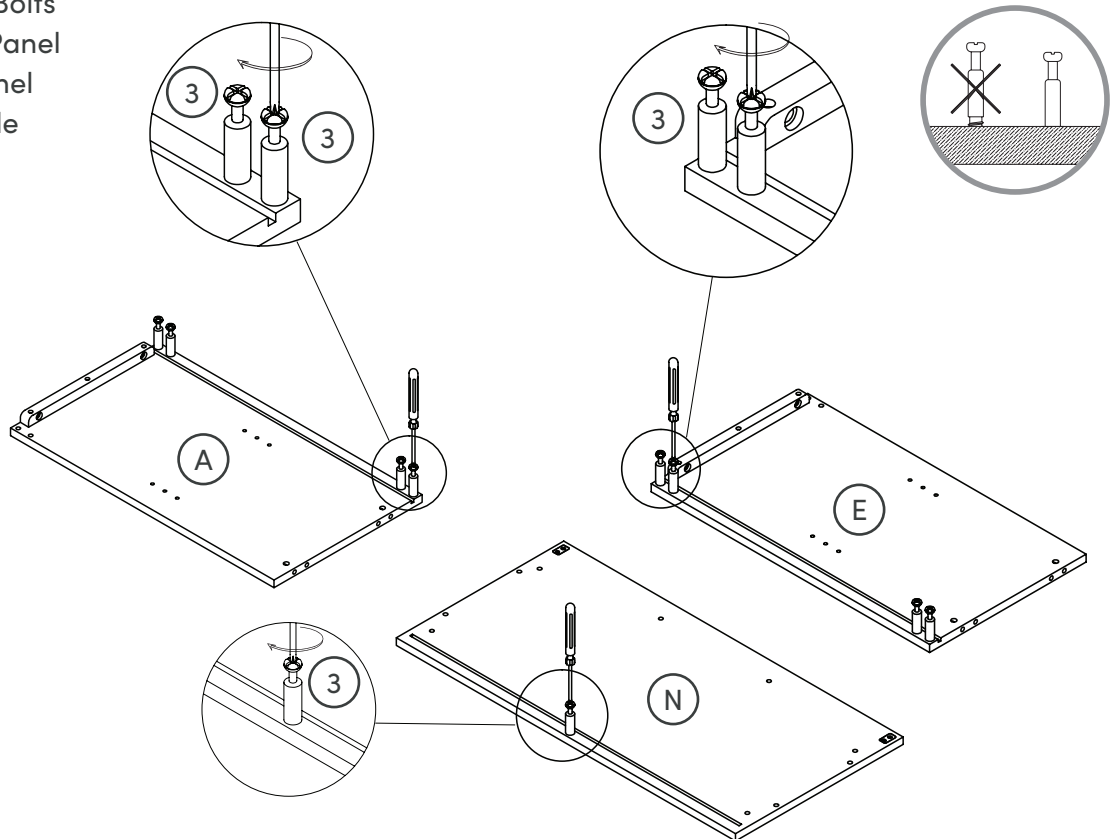
Step 1

Let's get this thing fired up! Attach the Magnetic Push Latch (1) to the Upper Front Stretcher (D) using the M3*15mm Screws (7).



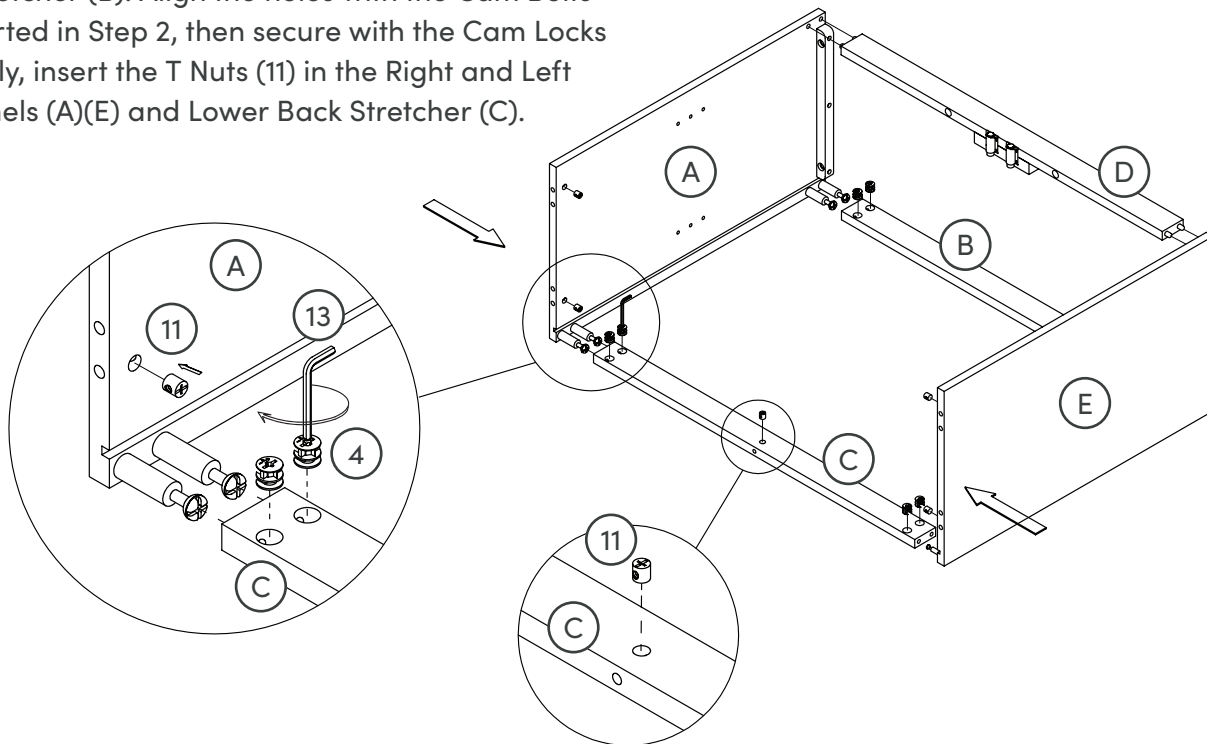
Step 2

Screw the Cam Bolts (3) into the Top Panel (N), Left Side Panel (A) and Right Side Panel (E).



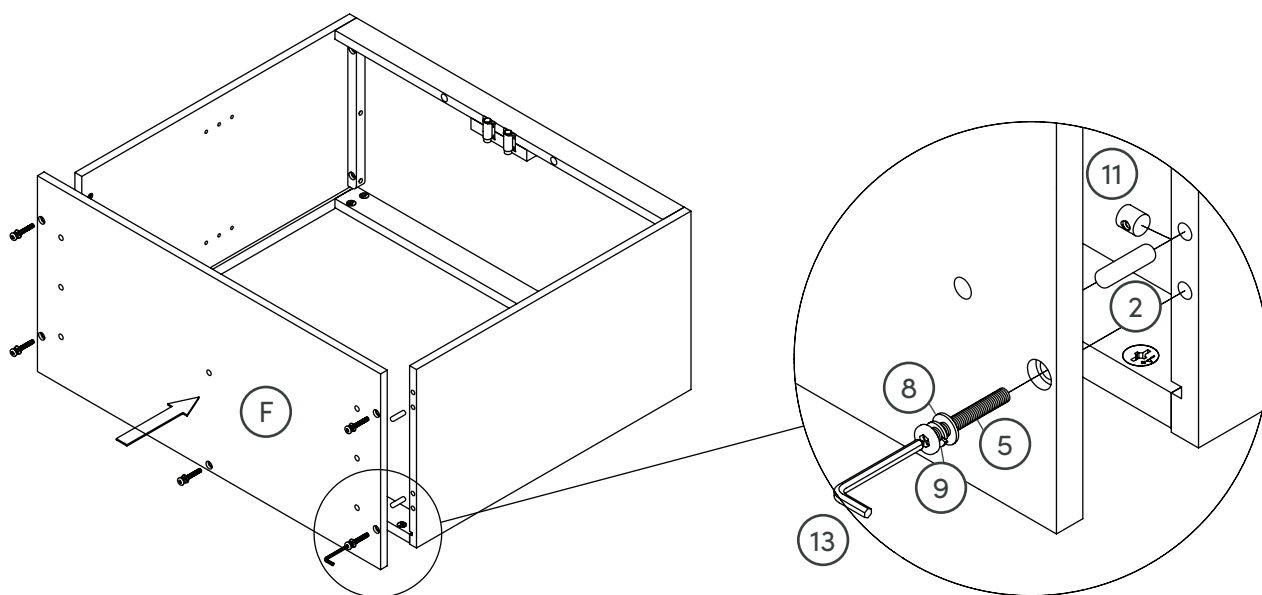
Step 3

Now attach the Left Side Panel (A) to the Right Side Panel (E) using the Upper Front Stretcher (D) and Upper Back Stretcher (B). Align the holes with the Cam Bolts you inserted in Step 2, then secure with the Cam Locks (4). Finally, insert the T Nuts (11) in the Right and Left Side Panels (A)(E) and Lower Back Stretcher (C).



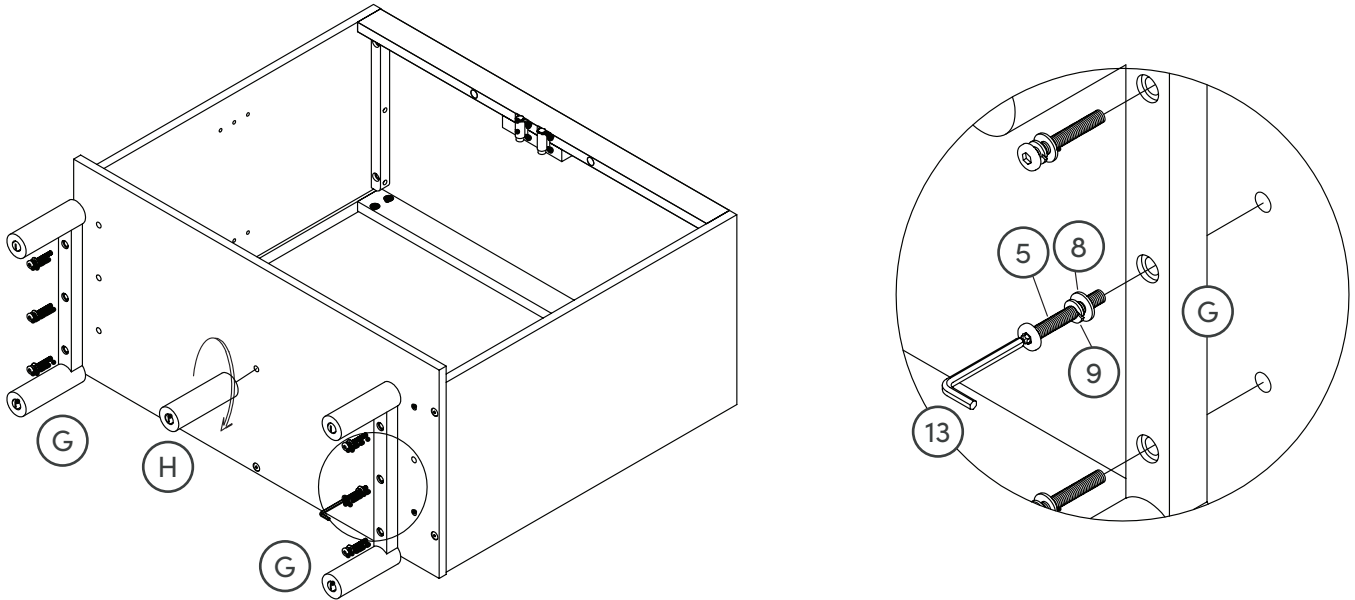
Step 4

Attach the Bottom Panel (F) to the cabinet you assembled in Step 3 using the 8*30mm Wooden Dowels (2) and Long Bolts $\frac{1}{4}$ *38mm (5). Insert Spring Washer (9) and Flat Washer (8) to the Long Bolts (5) before assembling.



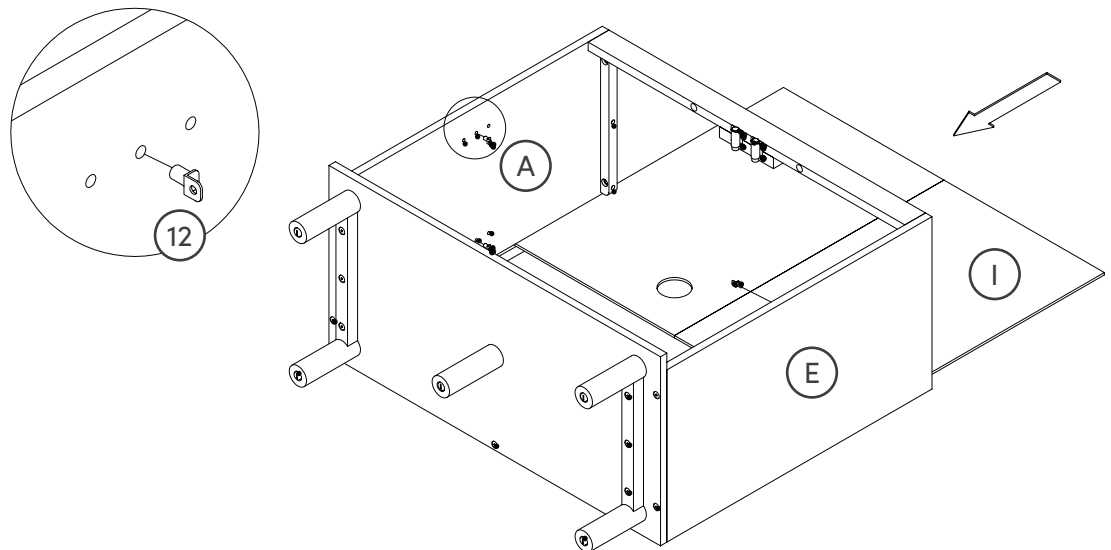
Step 5

Attach the Legs (G) and Center Leg (H) to the Bottom Panel (F) using the Long Bolts (5). Insert Spring Washer (9) and Flat Washer (8) onto Long Bolt before assembling.



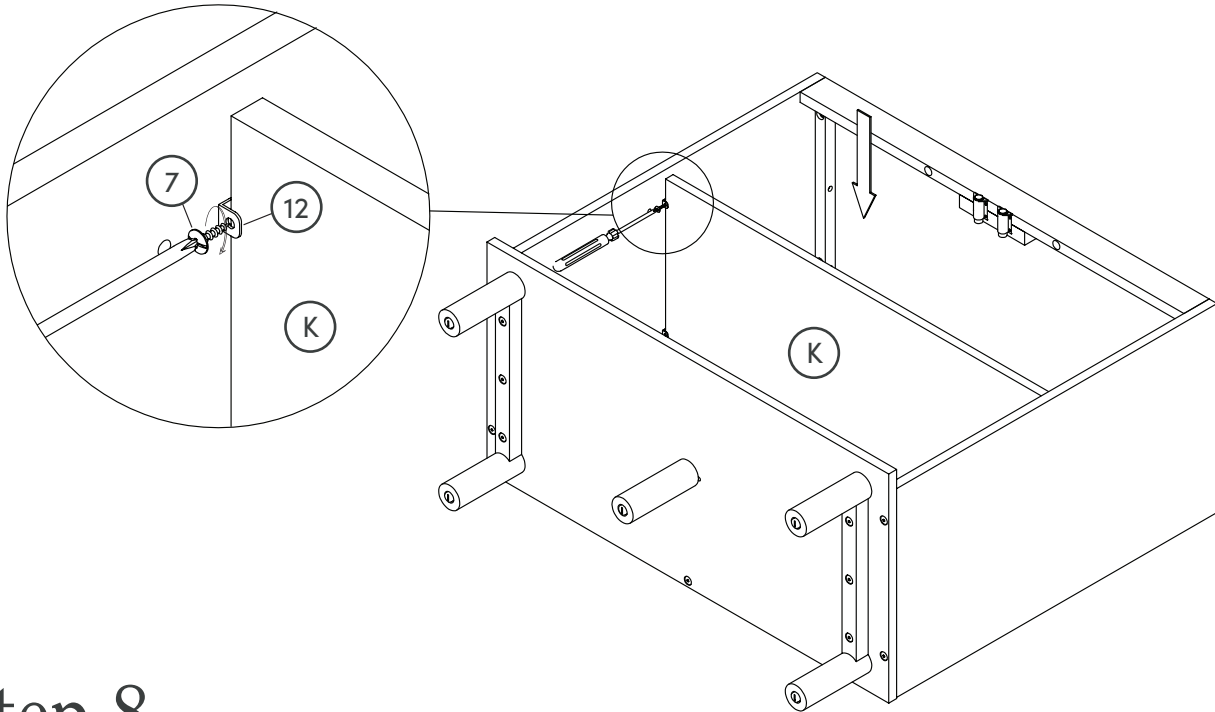
Step 6

You're over halfway there! Only a few more steps to go, and we made this one easy. Slide the Back Panel (I) into the cabinet. Then insert the Shelf Support Tabs (12) into the Left and Right Side Panels (A)(E).



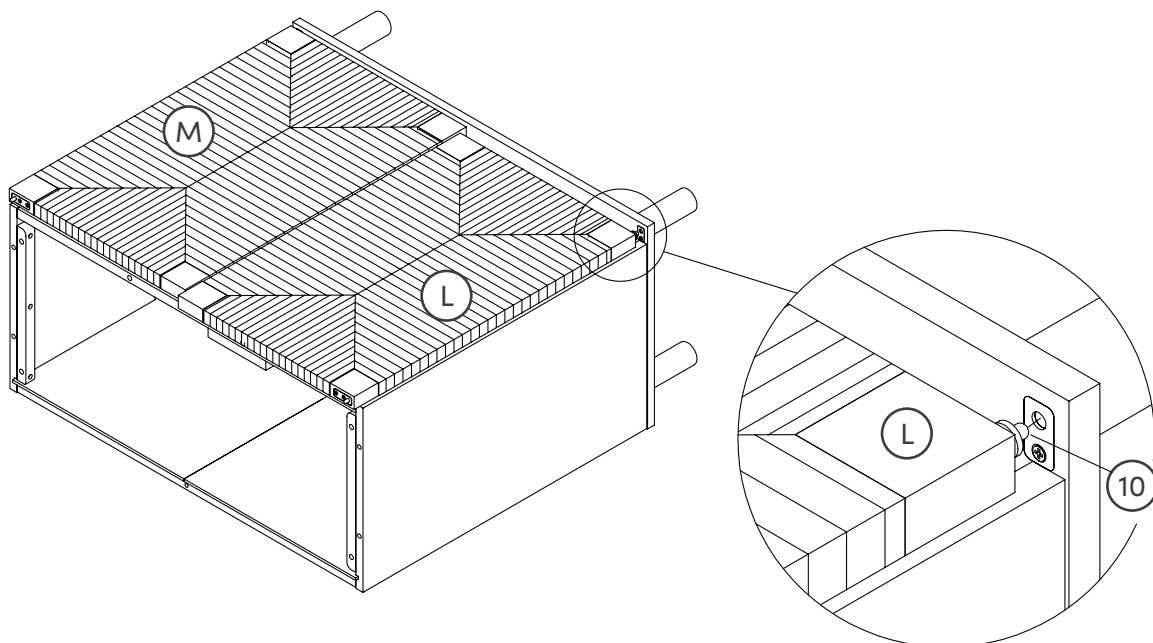
Step 7

Attach the Shelf Panel (K) to the Shelf Support Tabs (12) and secure using the M3*15mm Screws (7).



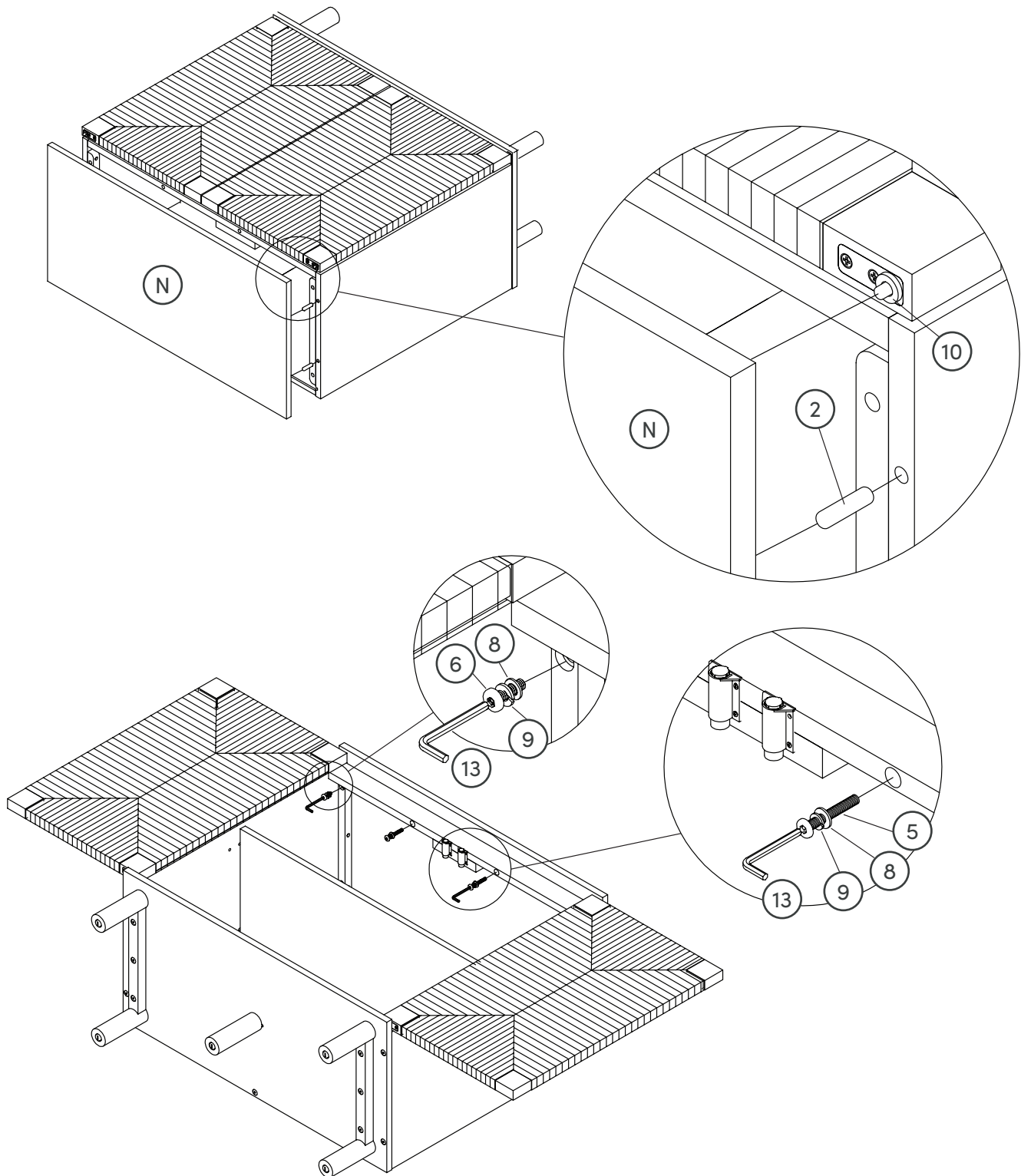
Step 8

This cabinet is really starting to come together! Now attach the Right Door (M) and Left Door (L) to the cabinet. Insert a Plastic Washer (10) onto the door latches before assembling.



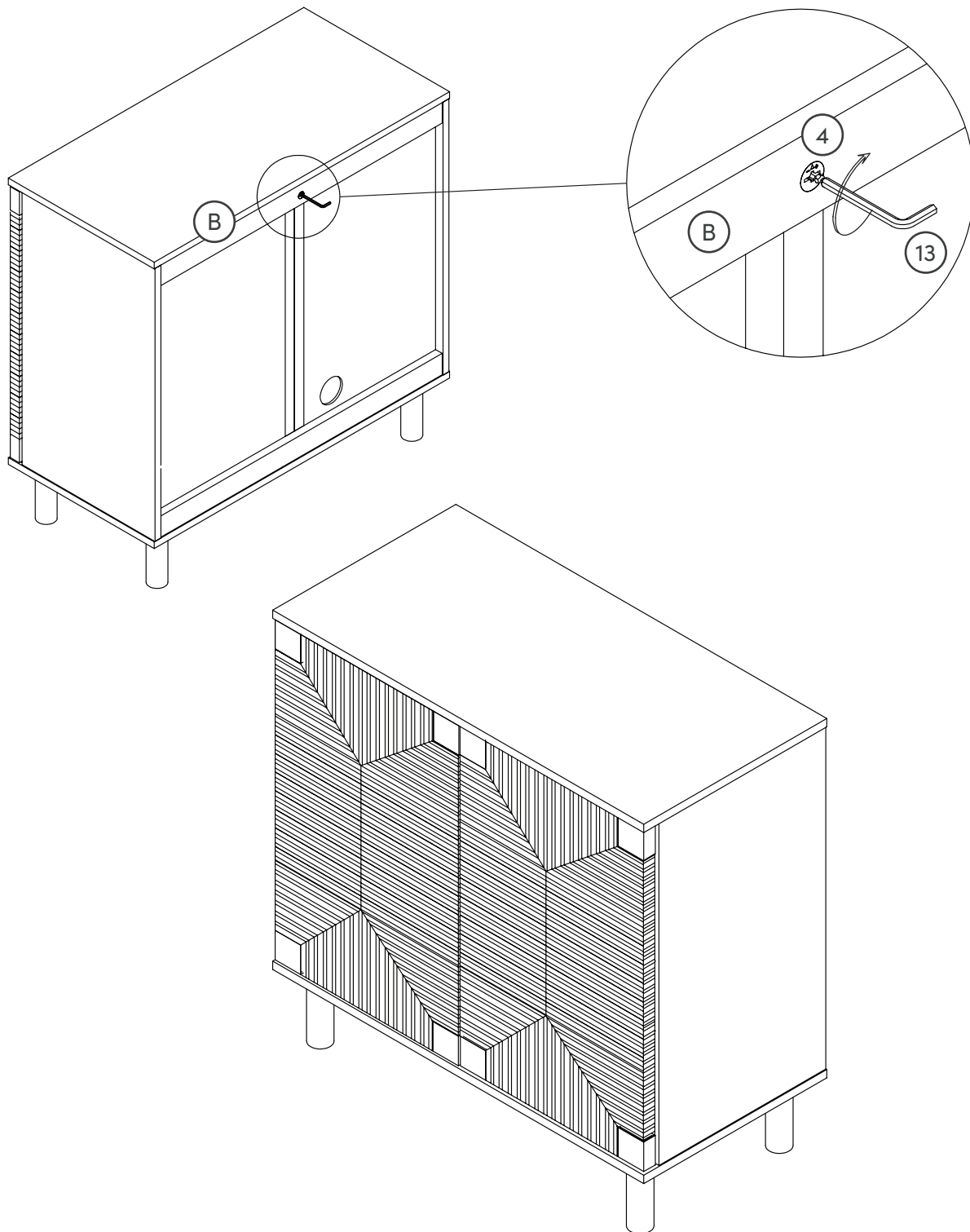
Step 9

Attach the Top Panel (N) to the cabinet using the 8*30mm Wooden Dowels (2) and the Short Bolts $\frac{1}{4}$ *25mm (6). Insert Spring Washer (9) and Flat Washer (8) onto Short Bolts before assembling.



Step 10

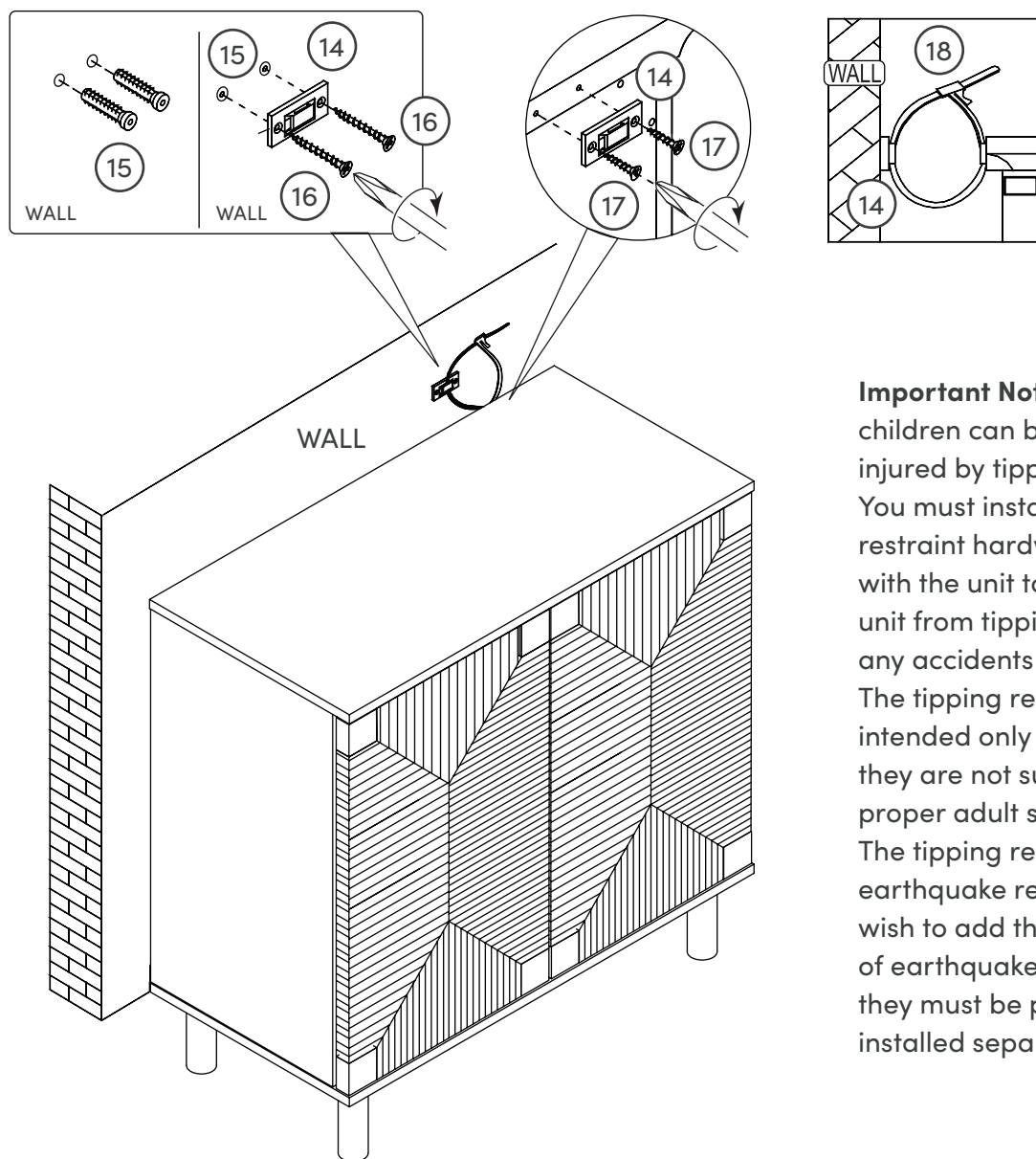
Now, grab a friend and turn the cabinet upright.
Tighten the Cam Lock (4) on the Upper Back
Stretcher (B) using the provided Allen Key (13).



Step 11

And now for the final step! Time to install the tipping restraint hardware. First, insert the Plastic Anchors (15) into the wall. Next, attach the Plastic Bracket (14) to the Plastic Anchors (15) using the M4*40mm Screws (16).

Next, attach the Plastic Bracket (14) to the cabinet using the M3.5*15mm Screws (17). Finally, thread the Plastic Strap (18) through the Plastic Brackets (14) to secure the cabinet to the wall.



Important Note: Young children can be seriously injured by tipping furniture. You must install the tipping restraint hardware (included) with the unit to prevent the unit from tipping, causing any accidents or damage. The tipping restraints are intended only as a deterrent, they are not substitute for proper adult supervision. The tipping restraints are not earthquake restraints. If you wish to add the extra security of earthquake restraints, they must be purchased and installed separately.



No heartburn, when we handle the return

Give us a call **1-866-619-1004** or shoot us a message at **help@nathanjames.com** we will issue you a free replacement with **zero hassle**.

Our way



Give us a call



Replacement



You

Their way



Re-package item



Schedule pick up



Track package



Replacement



You

We really don't want you to go through the hassle of re-packaging your item and sending it back, because let's be honest...nobody has time for that.



Safety first, fun later

We want your Beacon Storage Unit to last as long as possible, so we recommend that you tighten the screws 2 weeks after assembly and for added safety check the tightness of all screws every 2 months.

For proper care and treatment please check our website at NathanJames.com/products

Safe use of this product starts with you.

Use this Beacon Storage Unit responsibly with the primary concern for your safety. Follow assembly instructions carefully and inspect product upon receipt and each use.

Nathan James and its parent companies cannot be held legally responsible for any injuries or death resulted from failure to follow instructions or improper use of this product.

Do not modify the structure of this product in any way.

Our products have been tested to meet specific safety measures as they were originally intended to be sold. Any modifications will present the risk of creating significant safety issues which NJ will not be responsible for.

Proper use

- DO NOT** use for commercial purposes
- DO NOT** frolic on storage unit
- DO NOT** use storage unit as foot stool
- DO NOT** leave spilled liquid on storage unit
- DO NOT** use storage unit if damaged
- DO NOT** make temporary repairs
- DO NOT** use outdoors



We are only in business if you're happy

For starters, thanks for being you.

☎ Toll-free at 1-866-619-1004

✉ Help@nathanjames.com

🌐 NathanJames.com/help

We do our best to ensure your furniture arrives without any problems, but occasionally mistakes happen—as humans we are imperfect beings. In the event that a part is damaged or missing, we will be more than happy to provide you with replacement part(s) for free.

Warranty

This product comes with a lifetime warranty from the date of purchase. Please use your phone to scan the QR code to register your product or visit <https://goo.gl/i9dk3q>



Did we do alright? Please spread the love!

If you are happy with your product, tell your friends and family about us or even better leave us a review online. Spreading the word gives us the opportunity to make more people happy and keep our prices low for your next purchase.

Brooklyn Burden

Founder, Nathan James