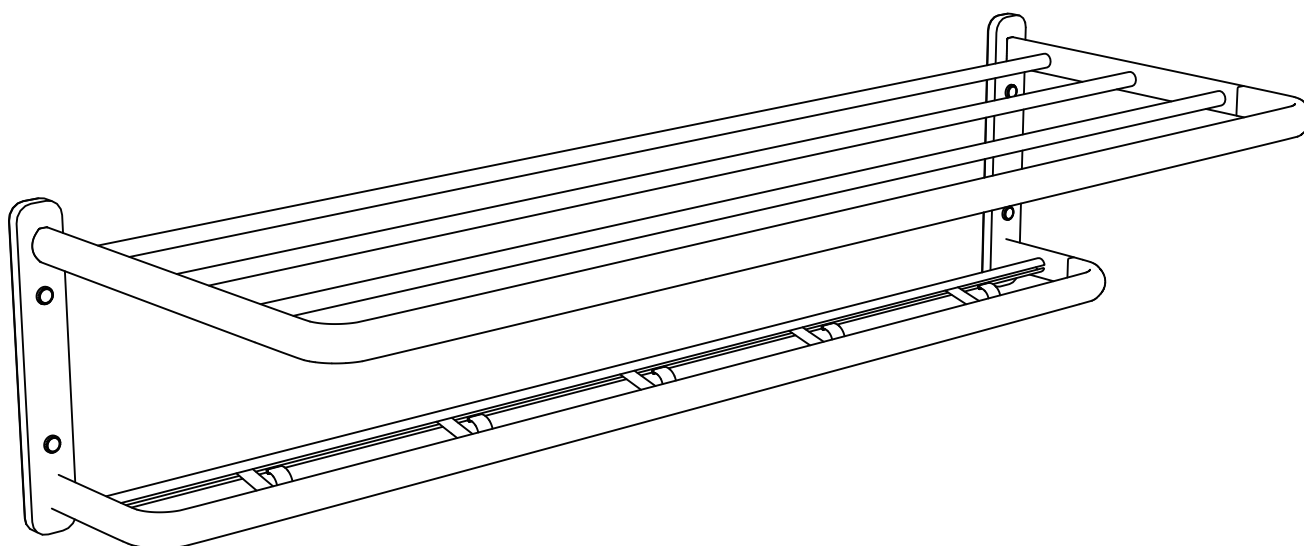


Black Towel Rack

Assembly & Care instructions



SKU: P25060-D1

Please read & retain for future reference

CATALOGS

INSTRUCTIONS FOR USE.....3

PARTS LIST.....4

SCREW SET LIST.....4

CARE & INSTRUCTIONS.....5

CLEANING AND CARE.....6

Instructions for Use

1.Thank you for choosing our products. This item is a Silver Triangular Shelving Unit. To protect your rights, ensure convenient use, and enhance your comfort, perfection, and style, please carefully read the installation and usage instructions before installation.

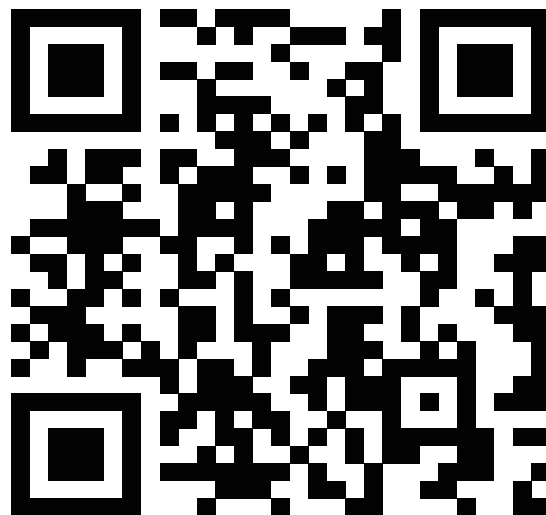
2.If any parts are damaged or lost, please read this instruction carefully , please feel free to contact us. We will send you a replacement immediately.

3.We hope you can like our products, if you have any other questions, please contact us.

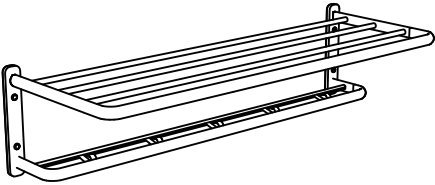
How to contact us:

Email:service@alaulm.com

Web:www.alaulm.com



PARTS LIST

PARTS LIST		
Description	Part Name	Qty
	Black Towel Rack	1

SCREW SET LIST

SCREW SET LIST			
Part	Description	Part Name	Qty
A		Self-tapping screw	6
B		Expansion screw	6
C		Decorative Hat	6
D		Decorative Hat Ring	6
E		06 Nail-Freeglue	1

Operating Instructions

After opening the product packaging, please first check the accessories according to the table and the image below. If any items are missing, please contact the dealer immediately. The names of the product accessories are indicated in the numbered list below.

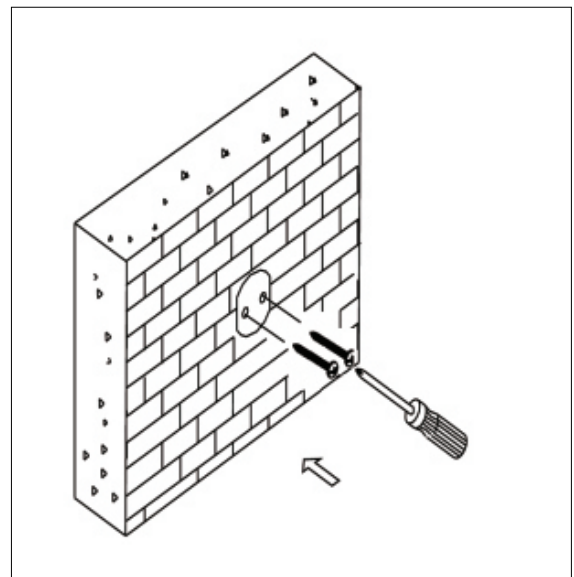
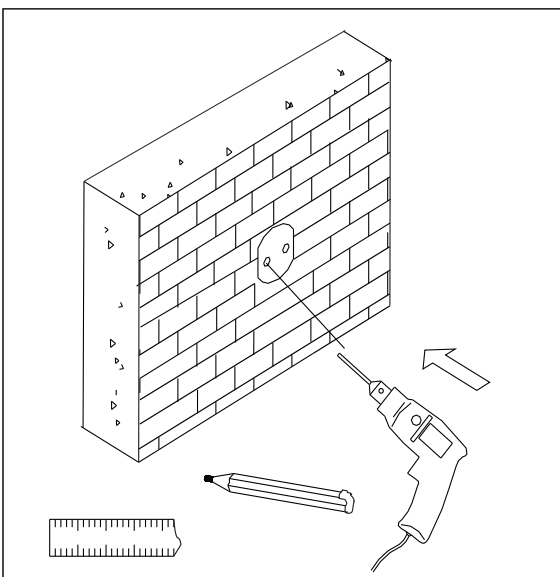
Product Description

This product is a hardware accessory, generally installed in places such as bathrooms and kitchens. The self-tapping installation screws can support a maximum weight of 5kg. To prevent falling, please follow the installation instructions below to avoid a decline in user experience due to improper operation.

Installation Environment

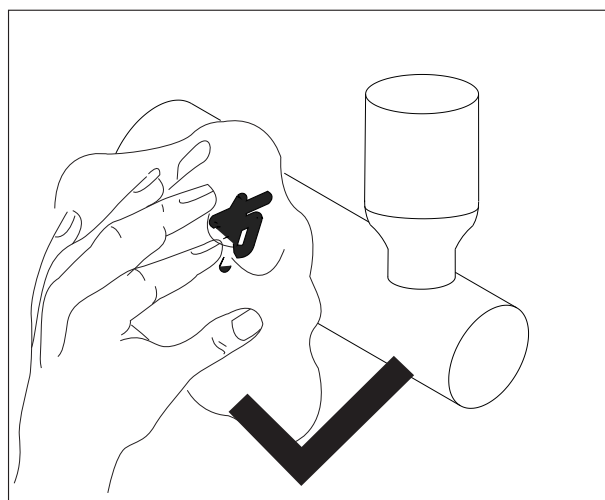
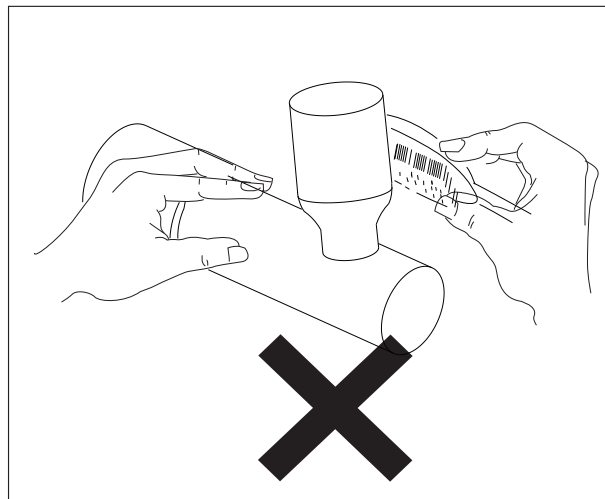
During installation: Before drilling, please use an electronic detector to check whether there are power lines, communication cables, or water pipes inside the wall. If using an electric drill, do not forget the following two points: 1. Wear protective goggles. 2. Turn off the power after using the equipment.

Installation of the fixed base: First, determine the positions for the installation holes and mark them. Use a special drill bit to penetrate the tile to prevent cracking, then use a hammer drill to create holes for the expansion plugs and insert the plugs. Fix the base to the wall with self-tapping screws, and use a screwdriver to tighten the self-tapping screws to ensure the base does not come off. As shown in the figure below.



To keep the pendant clean and bright, please clean it frequently or regularly:

1. Rinse with clean water only and wipe the pendant dry with a soft cotton cloth.
2. Do not use abrasive powders, polishing powders containing rough detergents, nylon brushes, sandpaper, or sanding cloth to avoid damaging the product.
3. Never use any acidic cleaners, coarse detergents or soap to polish.



For large-scale cleaning tasks, please follow the procedures below:

1. Use clean water and a soft cloth to remove surface dirt and grime as much as possible.
2. Use any of the following cleaning agents to remove surface dirt and grime.

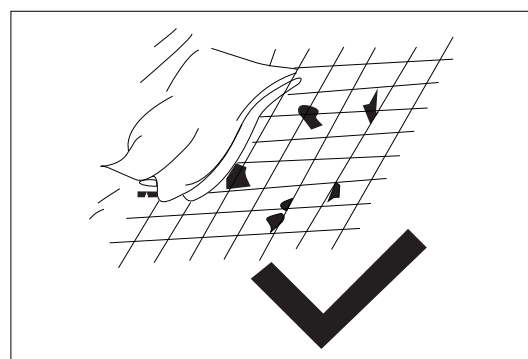
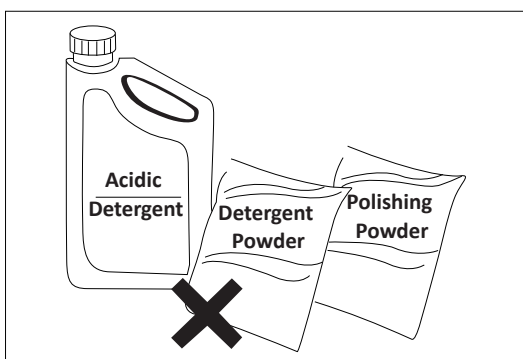
Mild liquid cleaner.

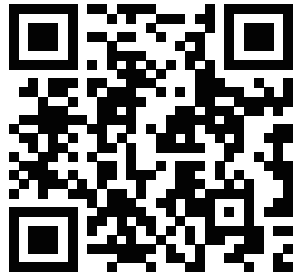
Use any of the following cleaning agents to remove surface dirt and grime. Colorless glass cleaner, nonabrasive and fully dissolvable powdered cleaner (to be mixed according to the manufacturer's instructions)

Polishing liquid that does not cause abrasion.

3. After cleaning, immediately rinse off all the detergent with clean water and wipe dry with a soft cotton cloth.

4. Wipe with a cloth soaked in engine oil or car wax.





www.alaulm.com

Make Your Life Much Better.