

# ASSEMBLY INSTRUCTIONS



*Fine Furniture for every stage of life*

# ASSEMBLY INSTRUCTIONS

## ASSEMBLY TIPS:

- 1.Remove hardware from box and sort by size.
- 2.Please check to see that all hardware and parts are present prior to start of assembly.
- 3.Please follow attached instructions in the same sequence as numbered to assure fast & easy assembly.












### WARNING !

- 1.Don't attempt to repair or modify parts that are broken or defective. Please contact the store immediately.
- 2.This product is for home uses only and not intended for commercial establishments.






**ASSEMBLY TIME 20 MINUTES**

## PARTS IDENTIFICATION

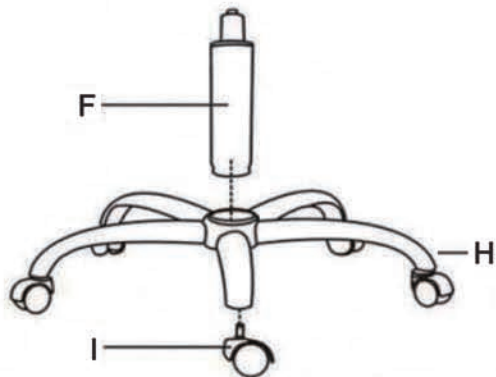
A		BACK	1PC
B		SEAT	1PC
C		LEFT ARMREST(SITTING)	1PC
D		RIGHT ARMREST(SITTING)	1PC
E		MECHANISM	1PC
F		GAS LIFT	1PC
G		BACK	1PC
H		BASE	1PC
I		CASTER	5PCS

## HARDWARE IDENTIFICATION

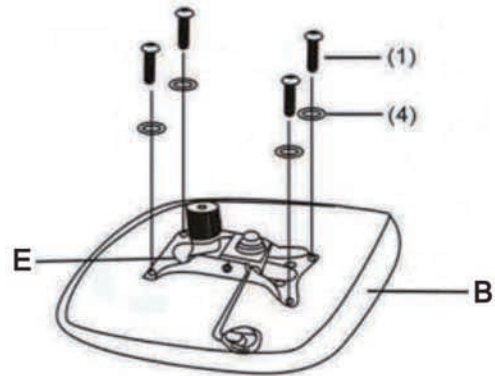
NO	DESCRIPTION	FIGURE	Q'TY
1	BOLTS M6X20MM		12PCS
2	BOLTS M6X30MM		4PCS
3	WASHER M6X18X1.5MM		14PCS
4	ALLEN WRENCH		1PC

# ASSEMBLY INSTRUCTIONS

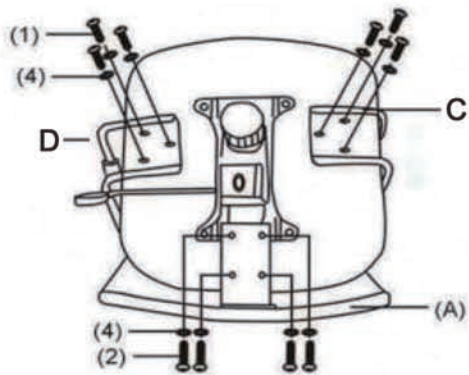
## STEP1



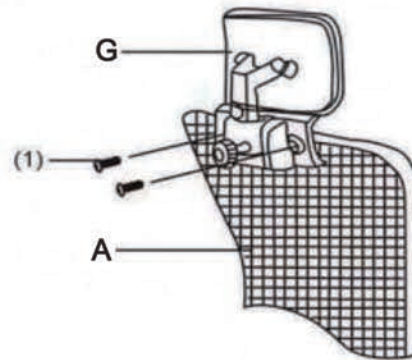
## STEP2



## STEP3



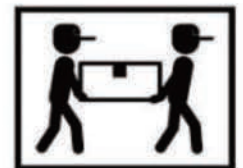
## STEP4

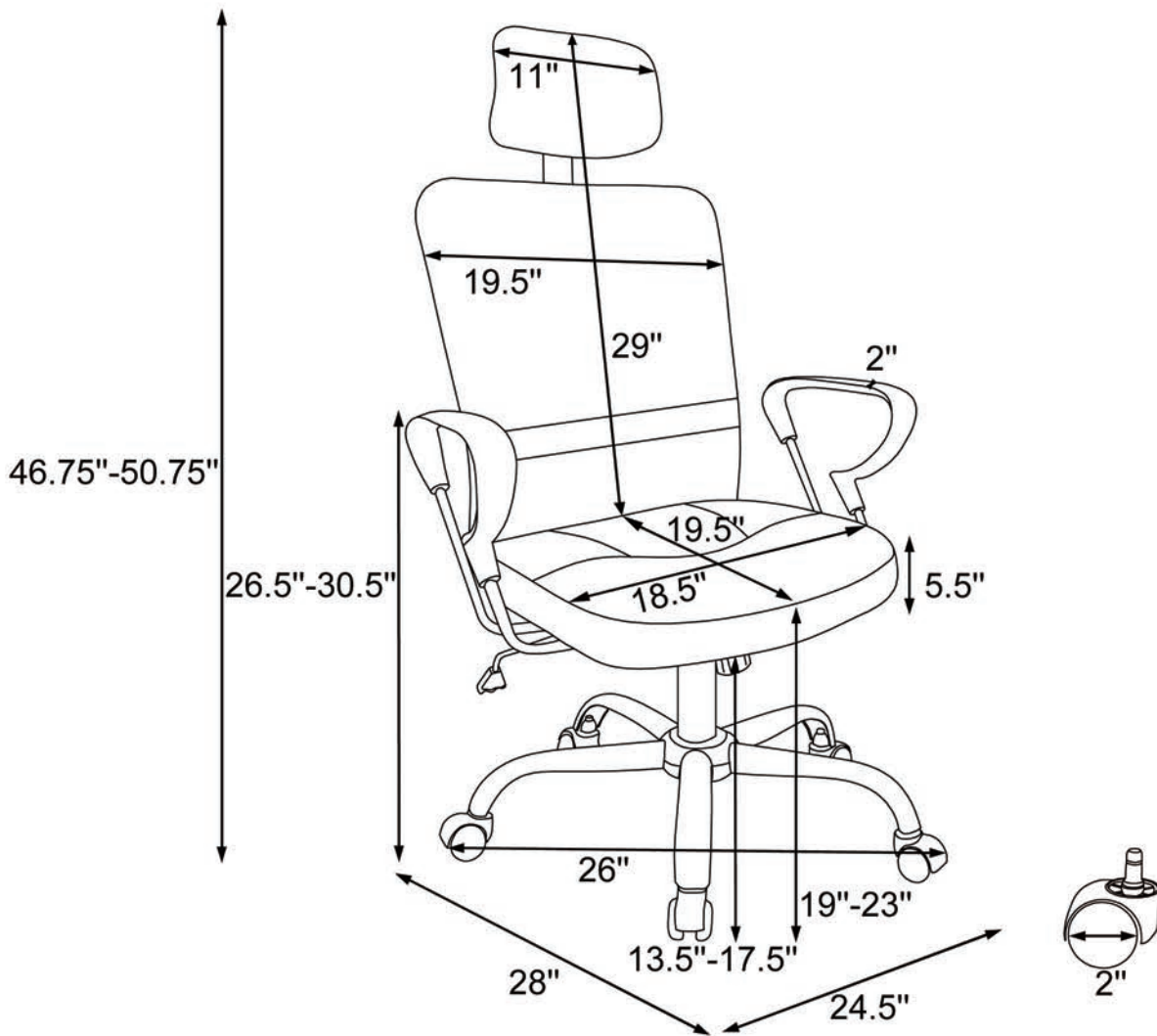


## STEP5



## STEP6





**Note : Dimension tolerance  $\pm 5\%$**