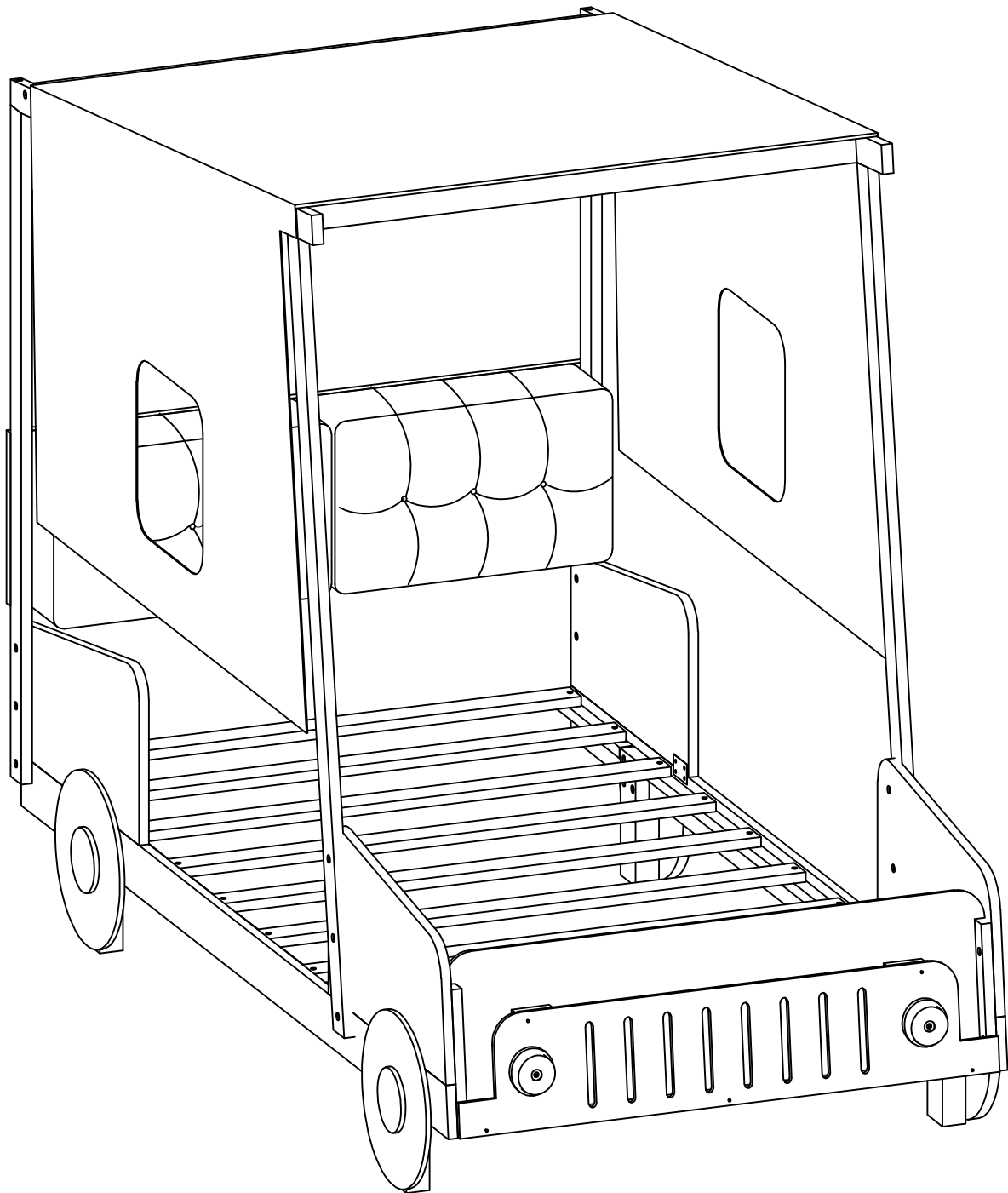
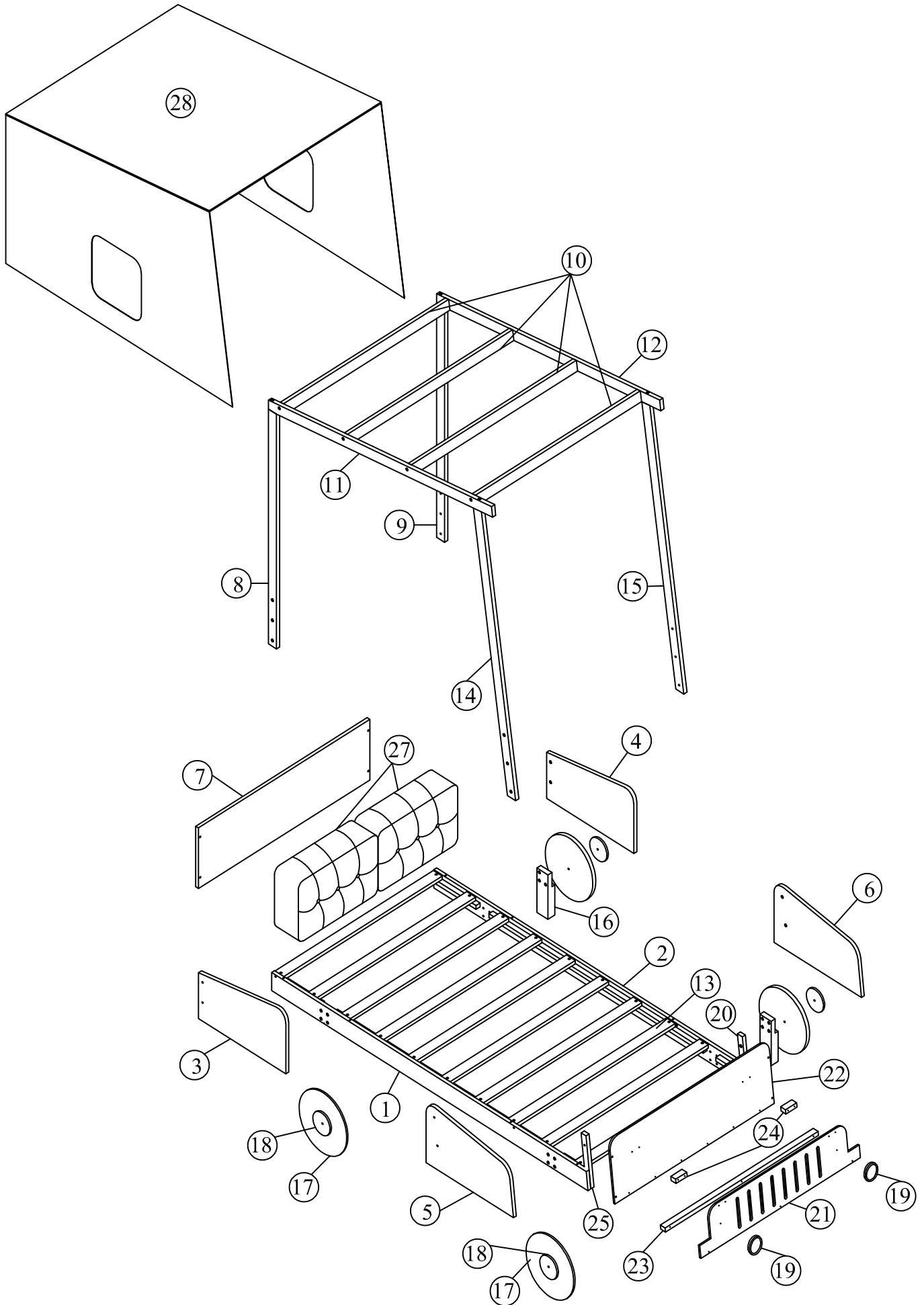




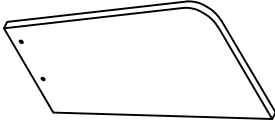
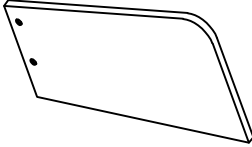
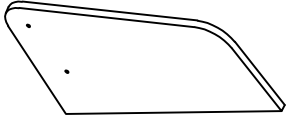
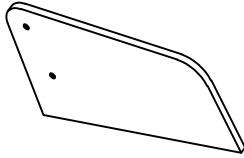
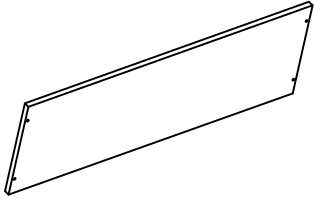

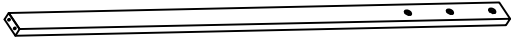
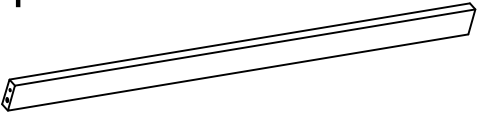
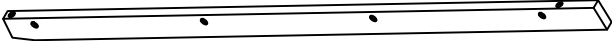
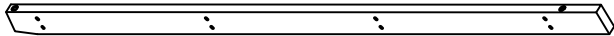
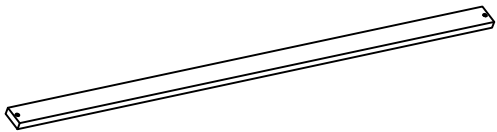
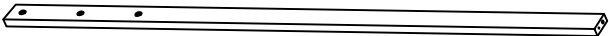
ASSEMBLY INSTRUCTION



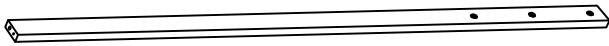
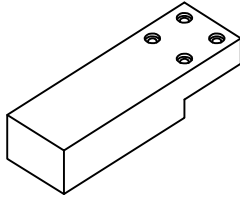
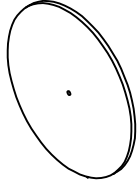

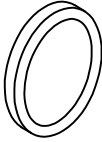
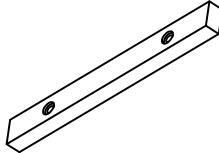
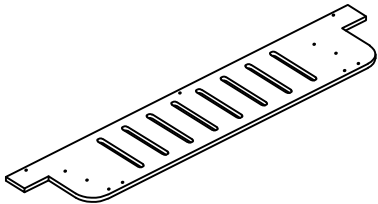
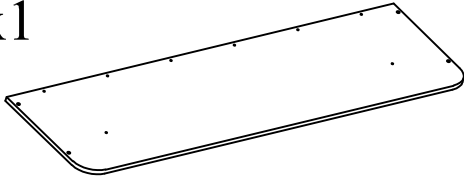
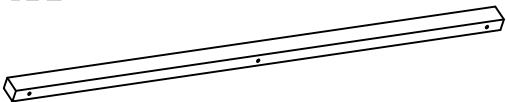
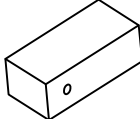
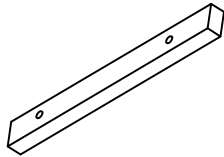
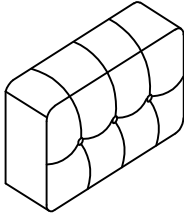
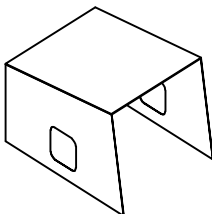
Detail:



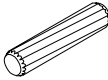
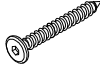

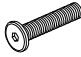
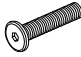
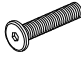






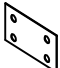
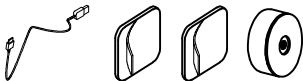

Part List

<p>① x1</p>  <p>Side Rail</p>	<p>② x1</p>  <p>Side Rail</p>
<p>③ x1</p>  <p>Left Panel</p>	<p>④ x1</p>  <p>Right Panel</p>
<p>⑤ x1</p>  <p>Left Panel</p>	<p>⑥ x1</p>  <p>Right Panel</p>
<p>⑦ x1</p>  <p>Back Panel</p>	<p>⑧ x1</p>  <p>Back Left Leg</p>
<p>⑨ x1</p>  <p>Back Right Leg</p>	<p>⑩ x4</p>  <p>Roof Rails</p>
<p>⑪ x1</p>  <p>Roof Rails</p>	<p>⑫ x1</p>  <p>Roof Rails</p>
<p>⑬ x10</p>  <p>Slats</p>	<p>⑭ x1</p>  <p>Front Left Leg</p>

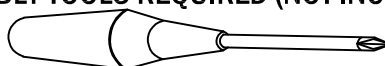
Part List

<p>①⑤ x1</p>  <p style="text-align: center;">Front Right Leg</p>	<p>①⑥ x4</p>  <p style="text-align: center;">Support Side Rails</p>
<p>①⑦ x4</p>  <p style="text-align: center;">Decorate</p>	<p>①⑧ x4</p>  <p style="text-align: center;">Decorate</p>
<p>①⑨ x2</p>  <p style="text-align: center;">Decorate</p>	<p>②⑦ x1</p>  <p style="text-align: center;">Connect wooden stick</p>
<p>②① x1</p>  <p style="text-align: center;">Footboard Panel</p>	<p>②② x1</p>  <p style="text-align: center;">Footboard Panel</p>
<p>②③ x1</p>  <p style="text-align: center;">Connect wooden stick</p>	<p>②④ x2</p>  <p style="text-align: center;">Connect wooden stick</p>
<p>②⑤ x1</p>  <p style="text-align: center;">Connect wooden stick</p>	<p>②⑦ x2</p>  <p style="text-align: center;">Upholstered fabric</p>
<p>②⑧ x1</p>  <p style="text-align: center;">Fabric</p>	

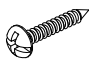
Hardware List

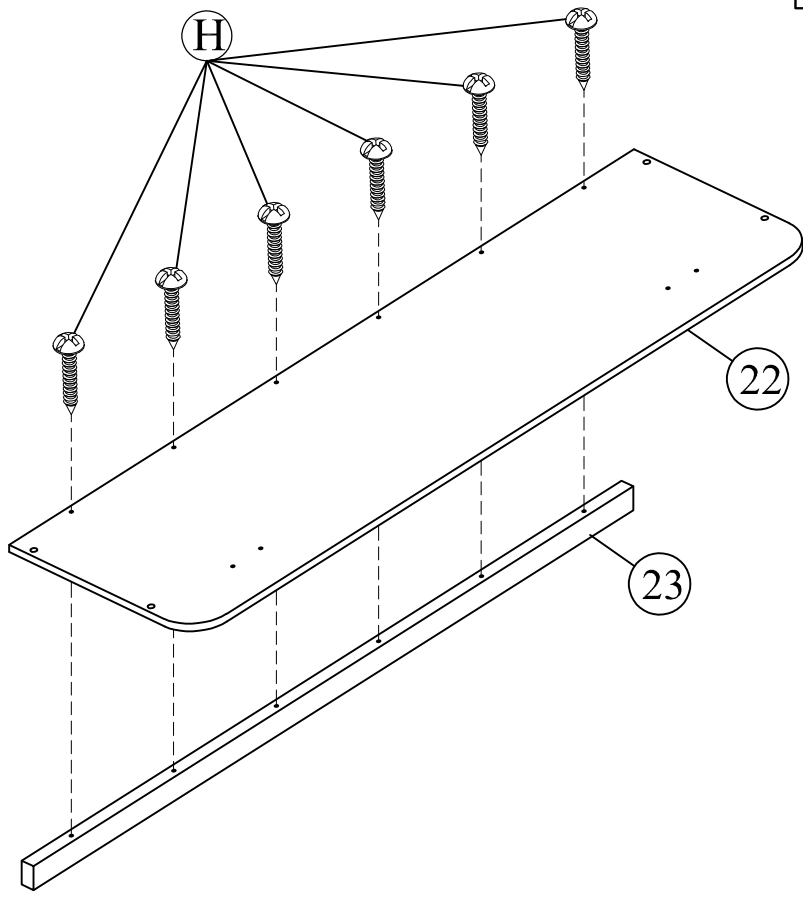
No.	OUTLOOK	DESC	QTY
(A)		Dowel Ø8*30mm	20pcs
(B)		Screws M6*40mm	12pcs
(C)		Screws M6*70mm	4pcs
(D)		Bolts M6*25mm	4pcs
(E)		Bolts M6*30mm	16pcs
(F)		Bolts M6*35mm	16pcs
(G)		Round head screw #8*20mm	4pcs
(H)		Round head screw #8*25mm	13pcs
(I)		Round head screw #8*30mm	4pcs
(J)		Flat head screw #8*25mm	20pcs
(K)		Flat head screw #7*12mm	8pcs
(L)		Allen key 60*22*4mm	1pc
(M)		Metal rectangle	2pcs
(N)		Led Light	2pcs
(O)		Bolts M6*15mm	28pcs

ASSEMBLY TOOLS REQUIRED (NOT INCLUDED)




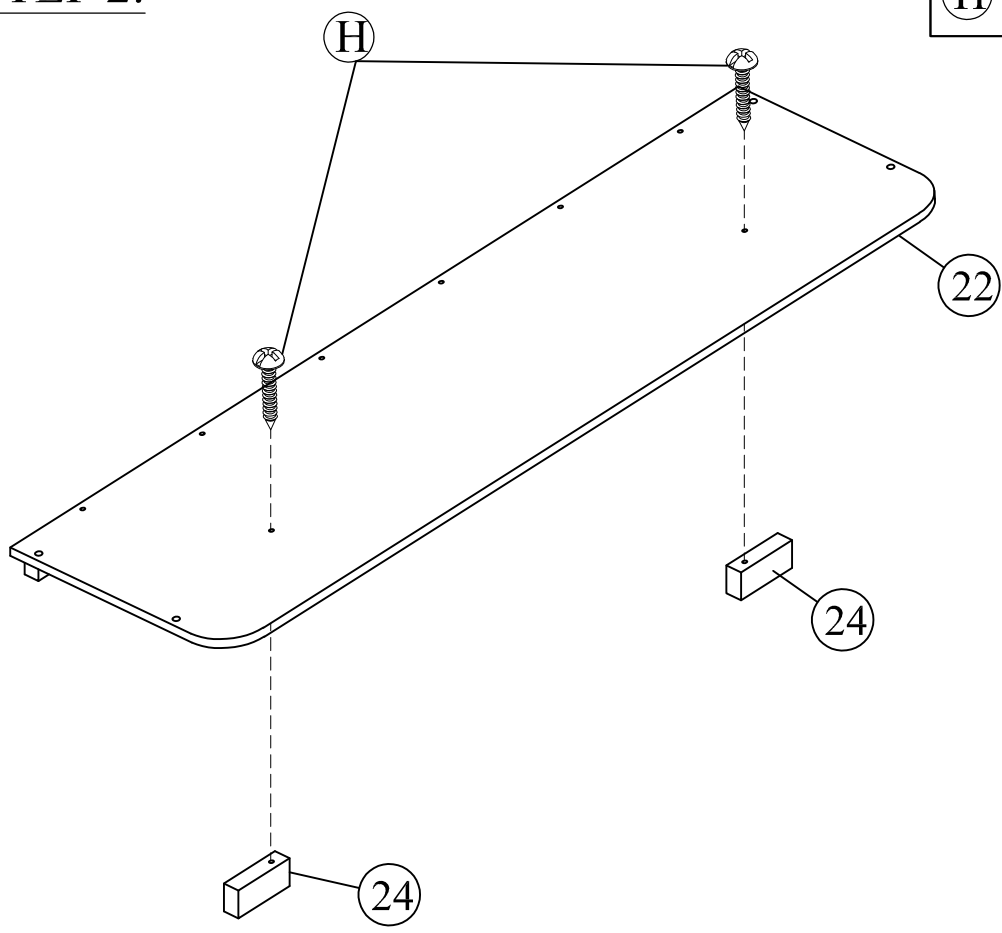
STEP 1:

H		6pcs
---	---	------




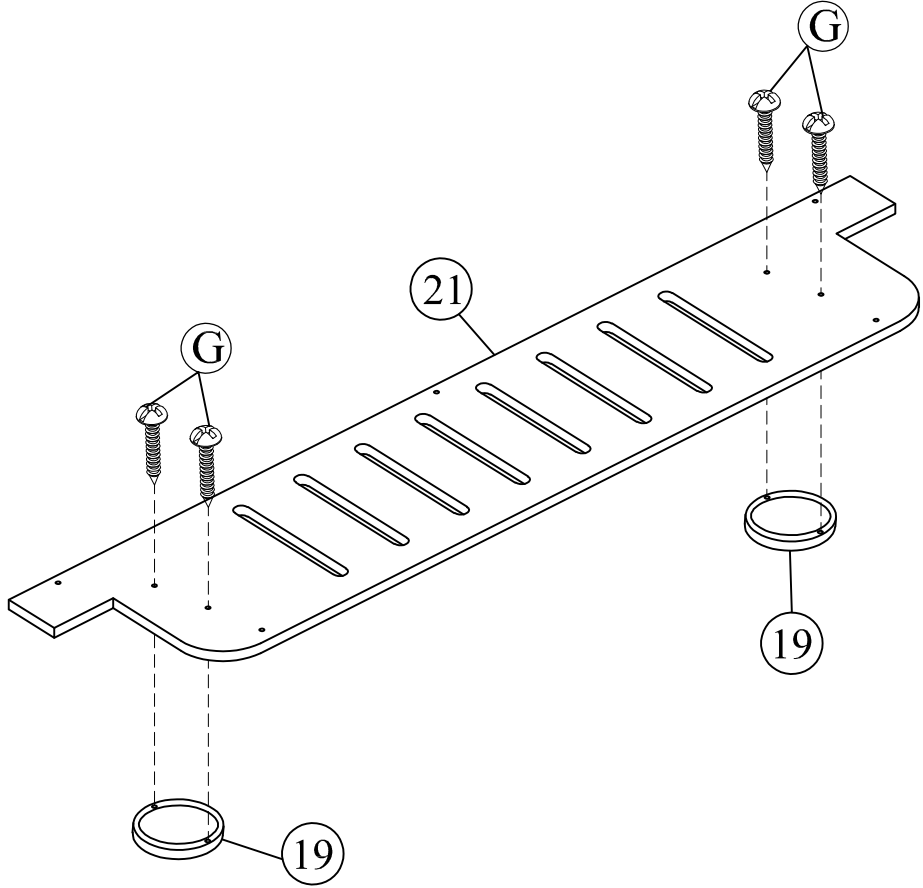
STEP 2:

H		2pcs
---	---	------

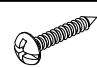


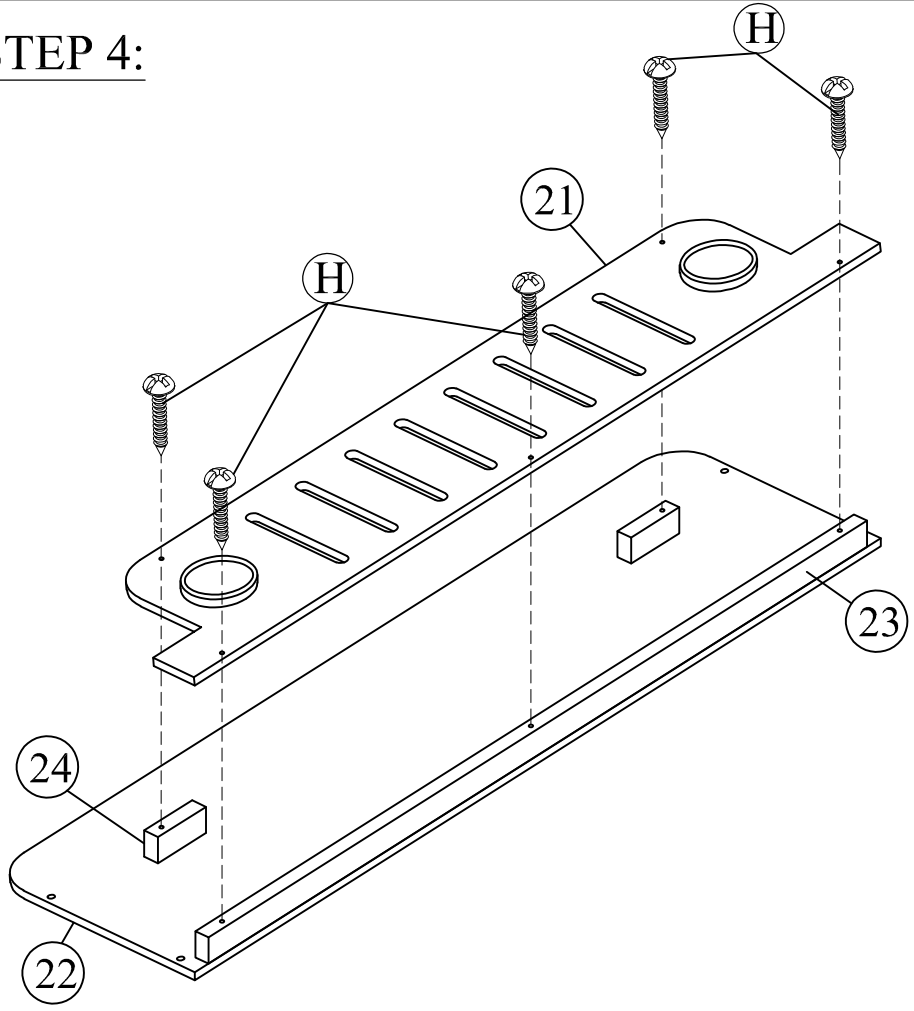
STEP 3:

G		4pcs
----------	---	------

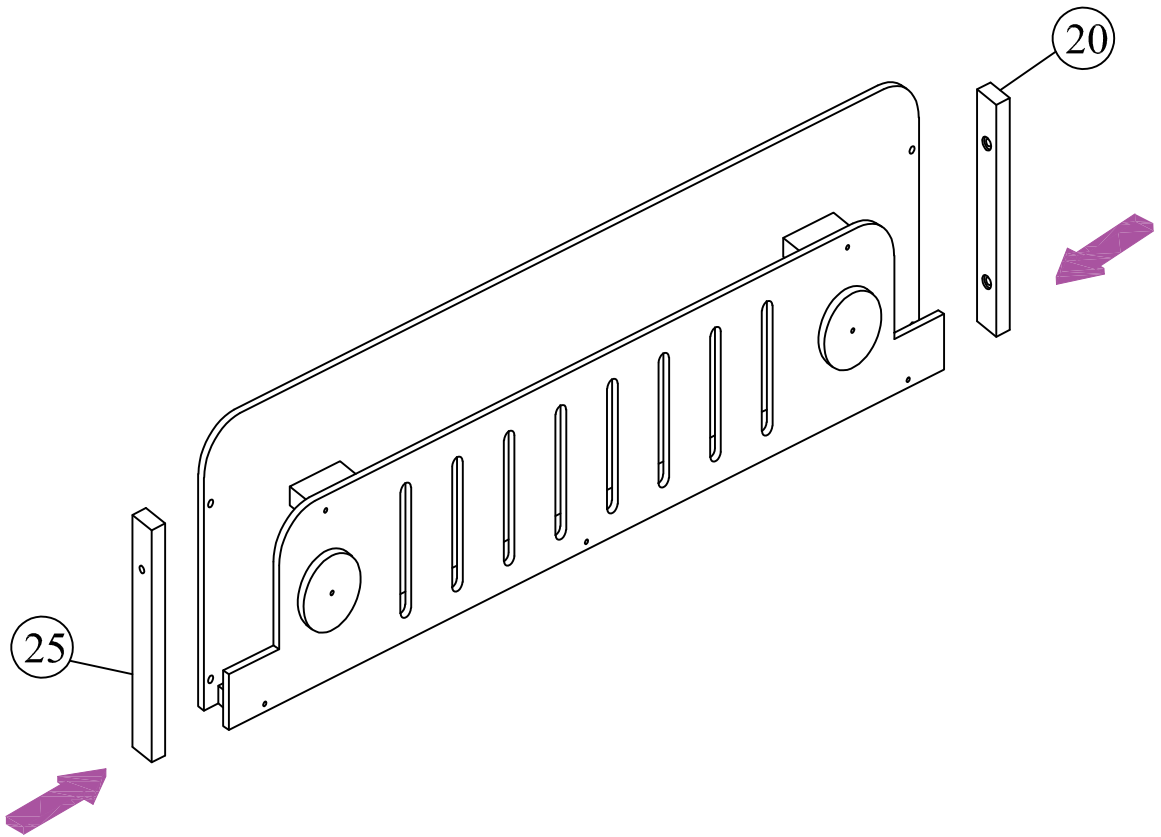


STEP 4:

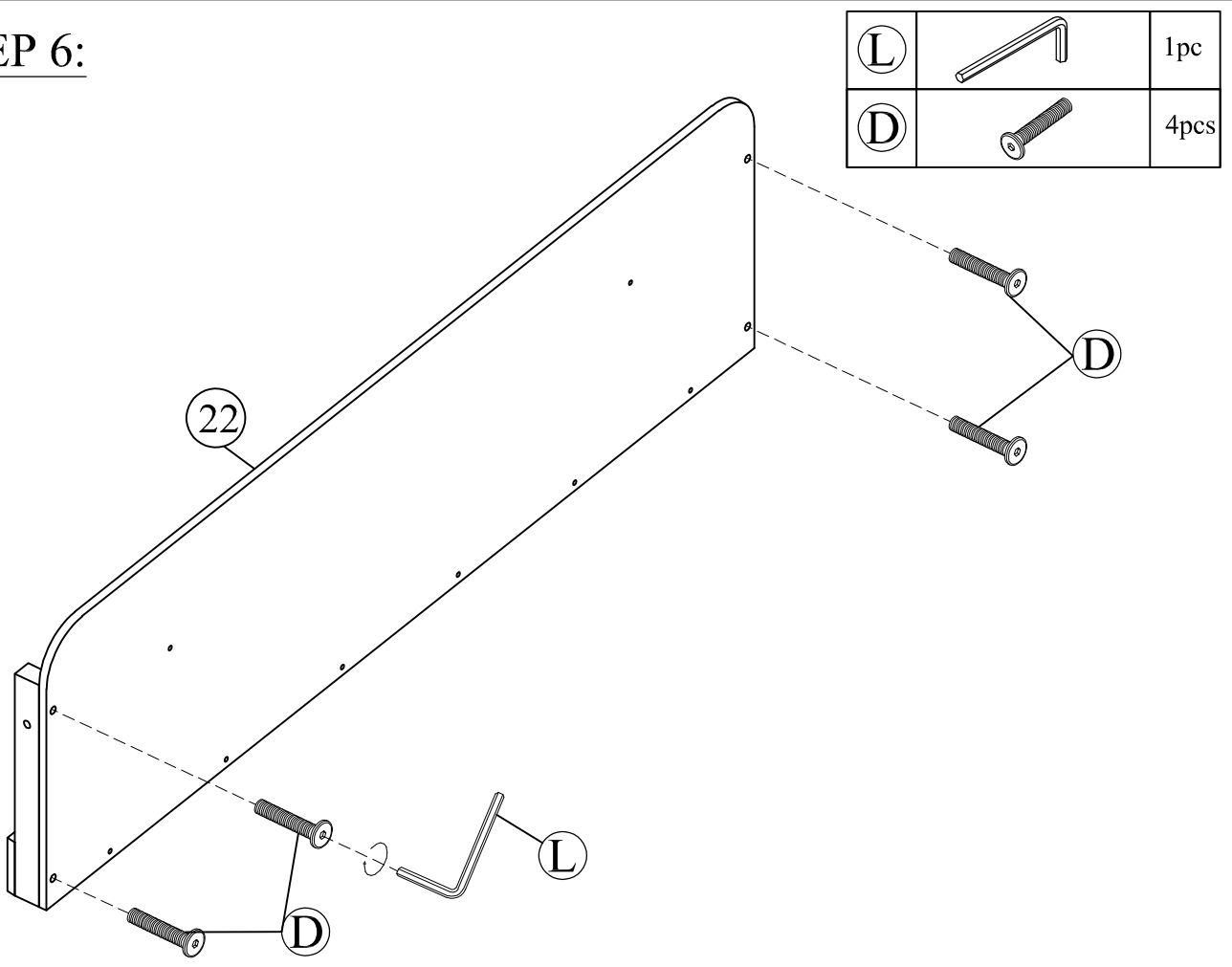
H		5pcs
----------	---	------



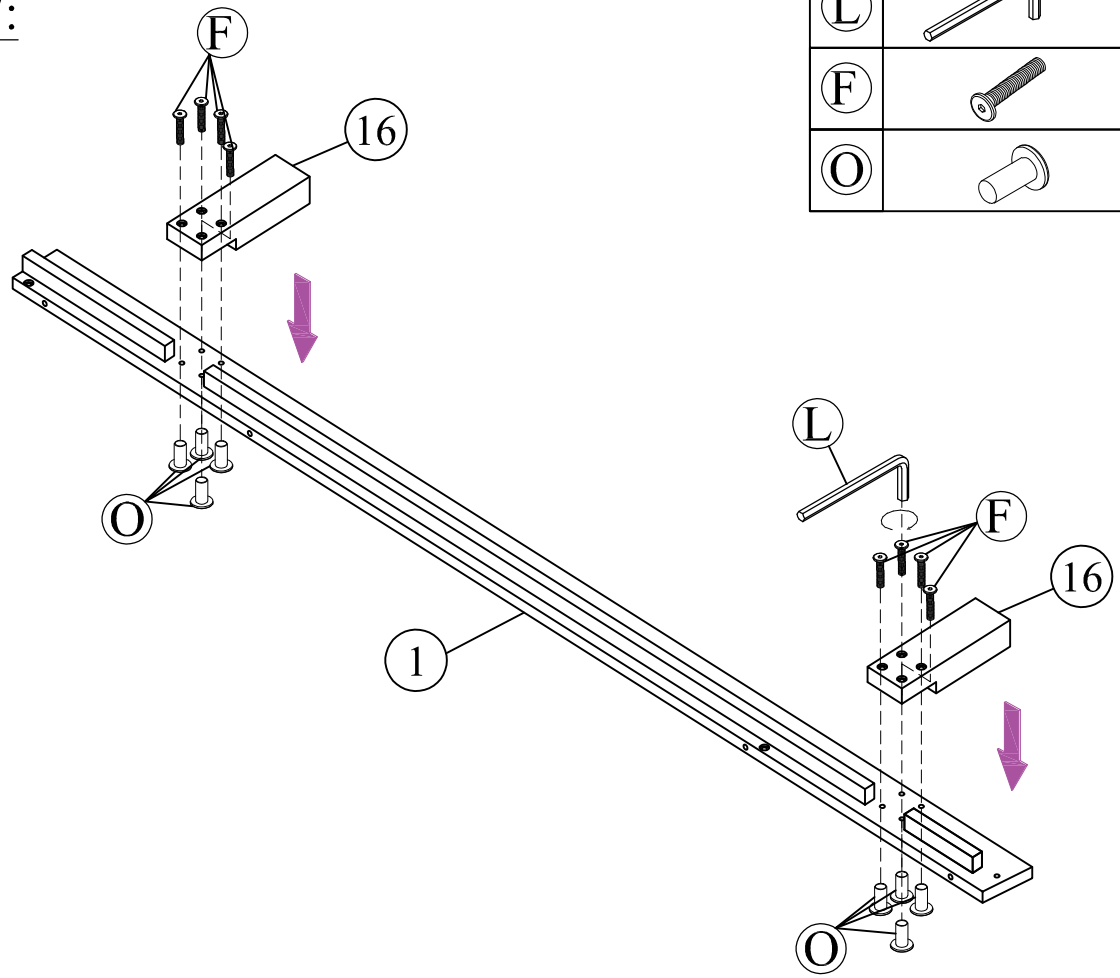
STEP 5:



STEP 6:

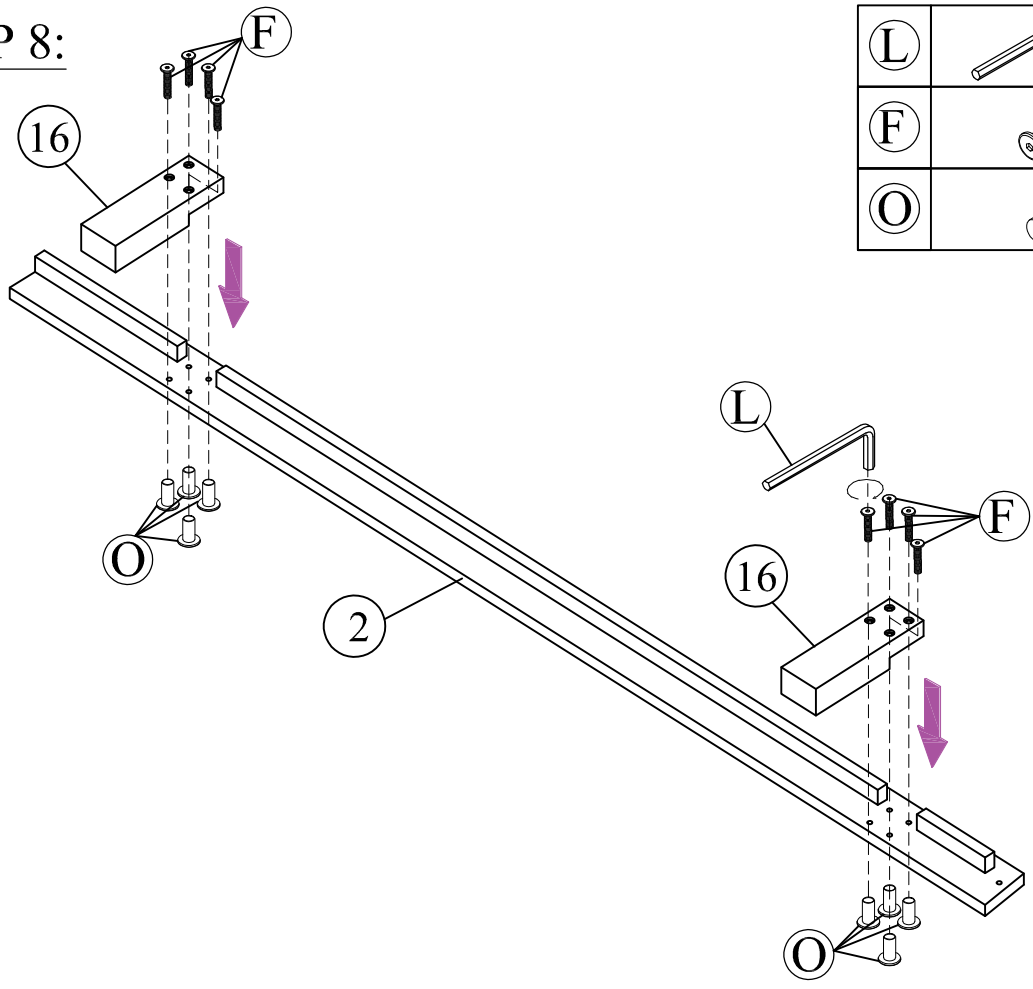


STEP 7:



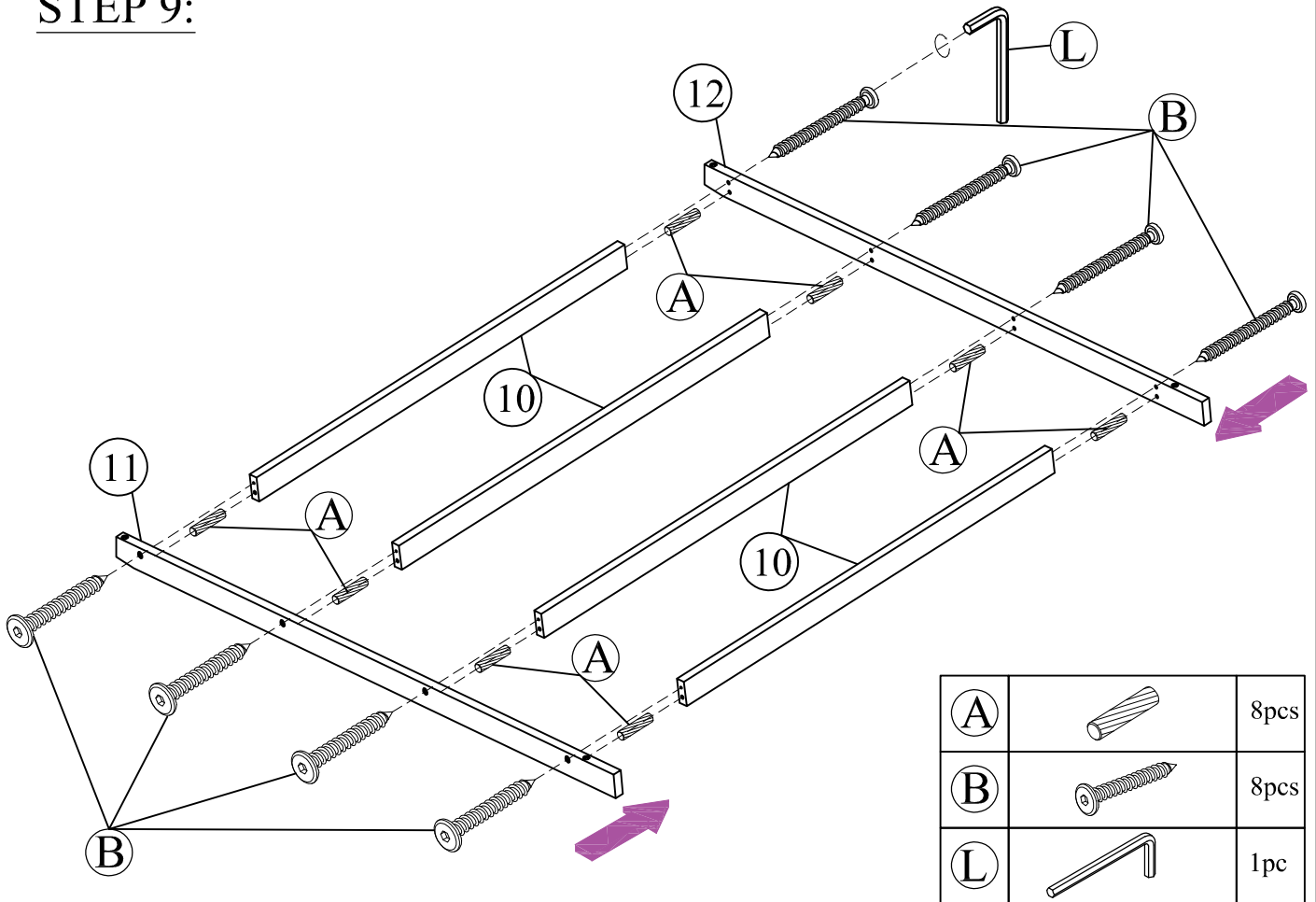
(L)		1pc
(F)		8pcs
(O)		8pcs

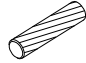
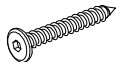

STEP 8:





(L)		1pc
(F)		8pcs
(O)		8pcs

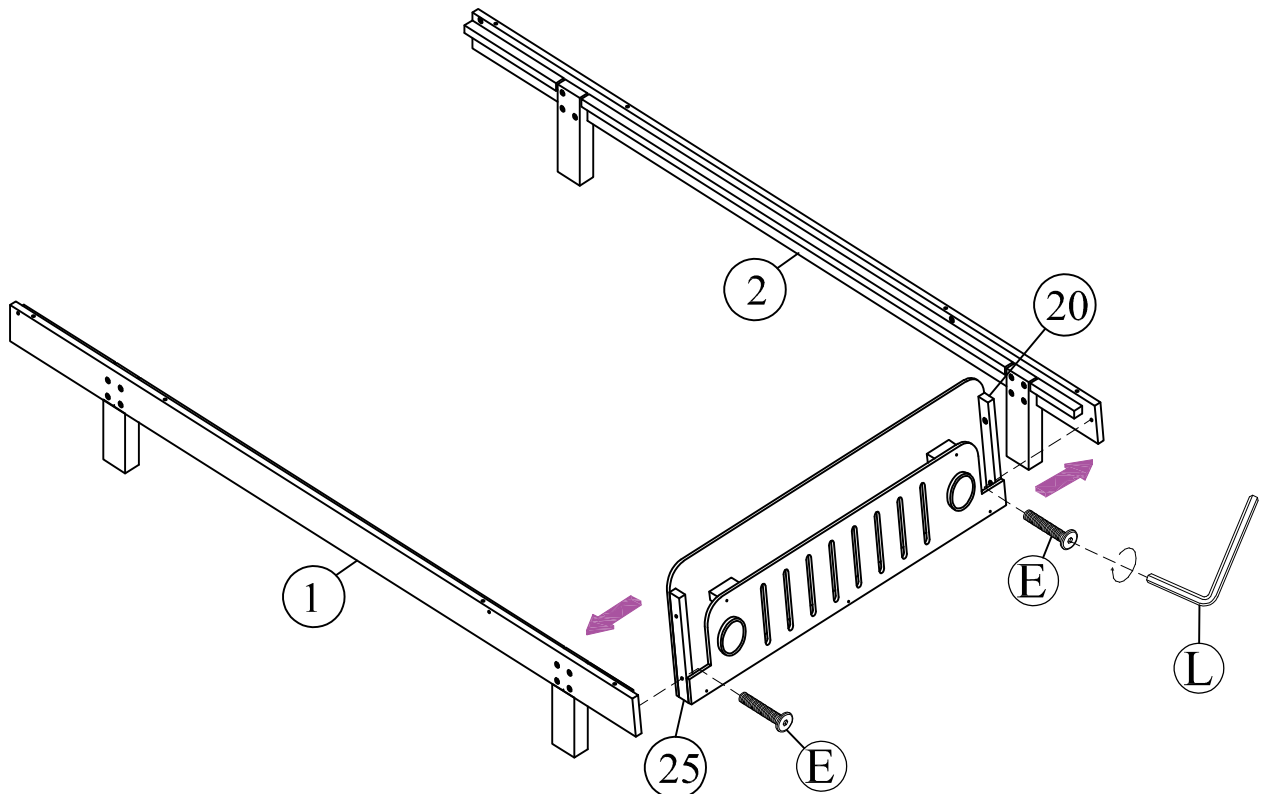
STEP 9:



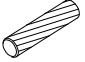
(A)		8pcs
(B)		8pcs
(L)		1pc

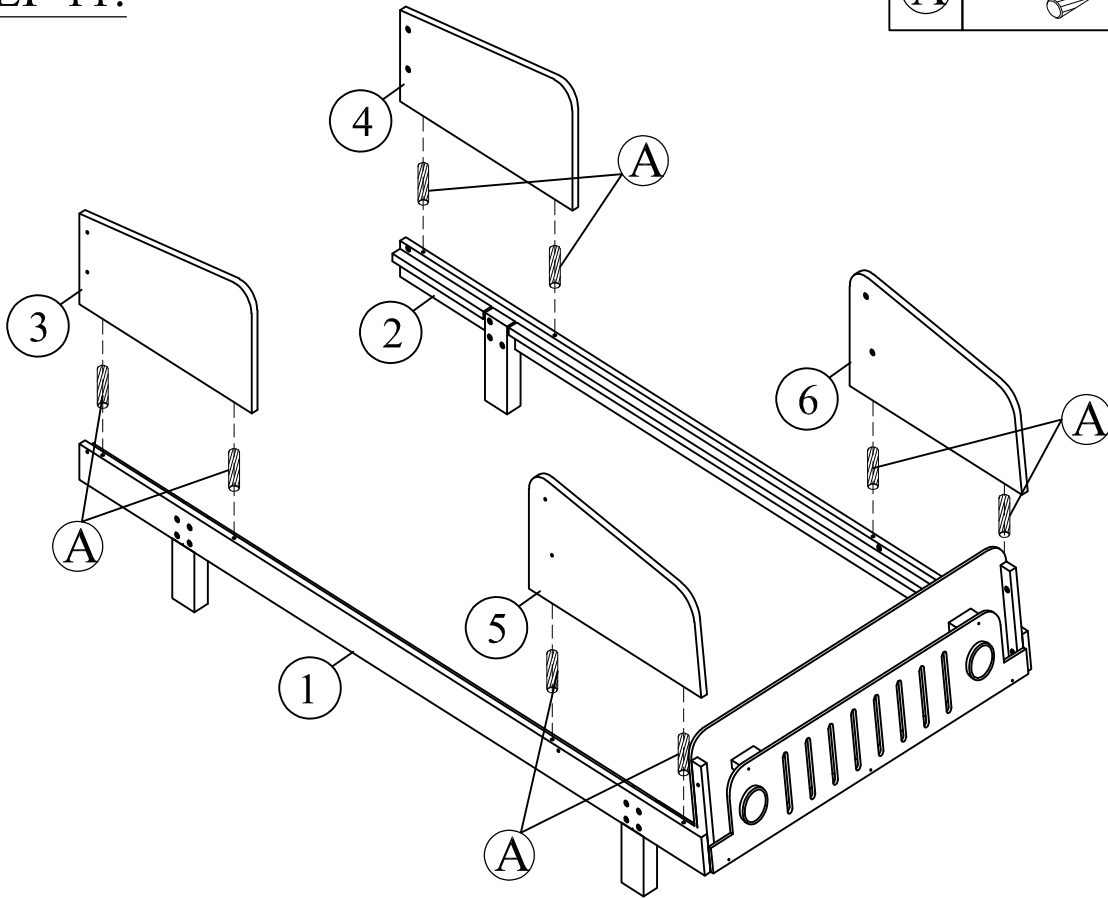
STEP 10:

(L)		1pc
(E)		2pcs






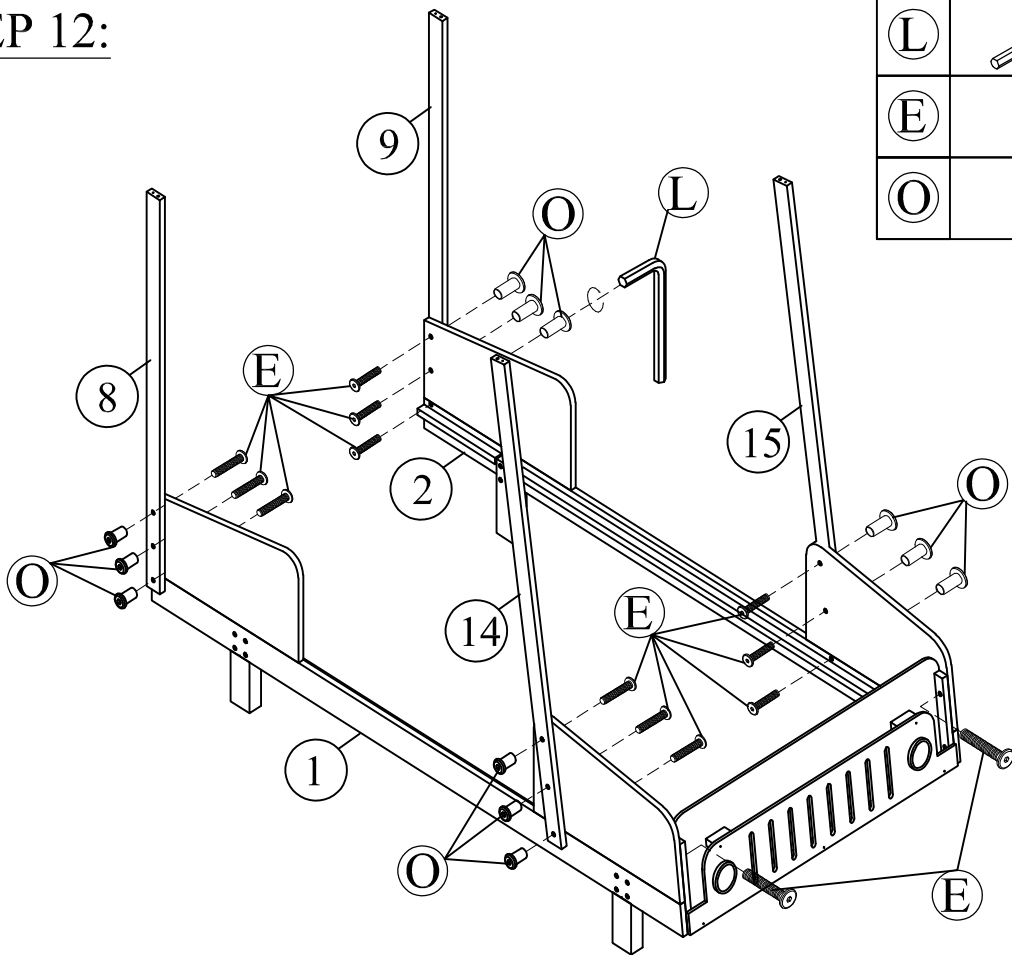
STEP 11:

A		8pcs
---	---	------

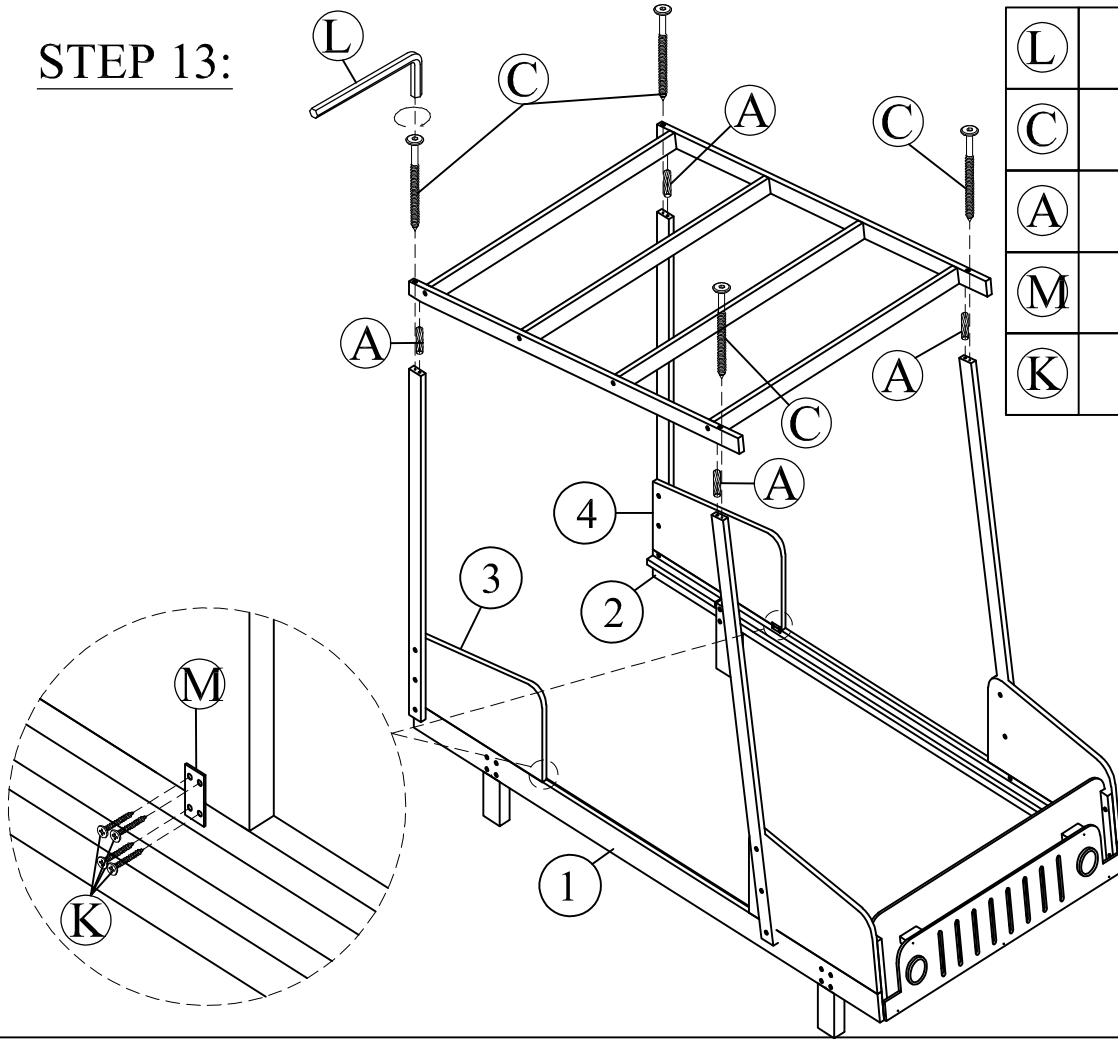


STEP 12:

L		1pc
E		14pcs
O		12pcs

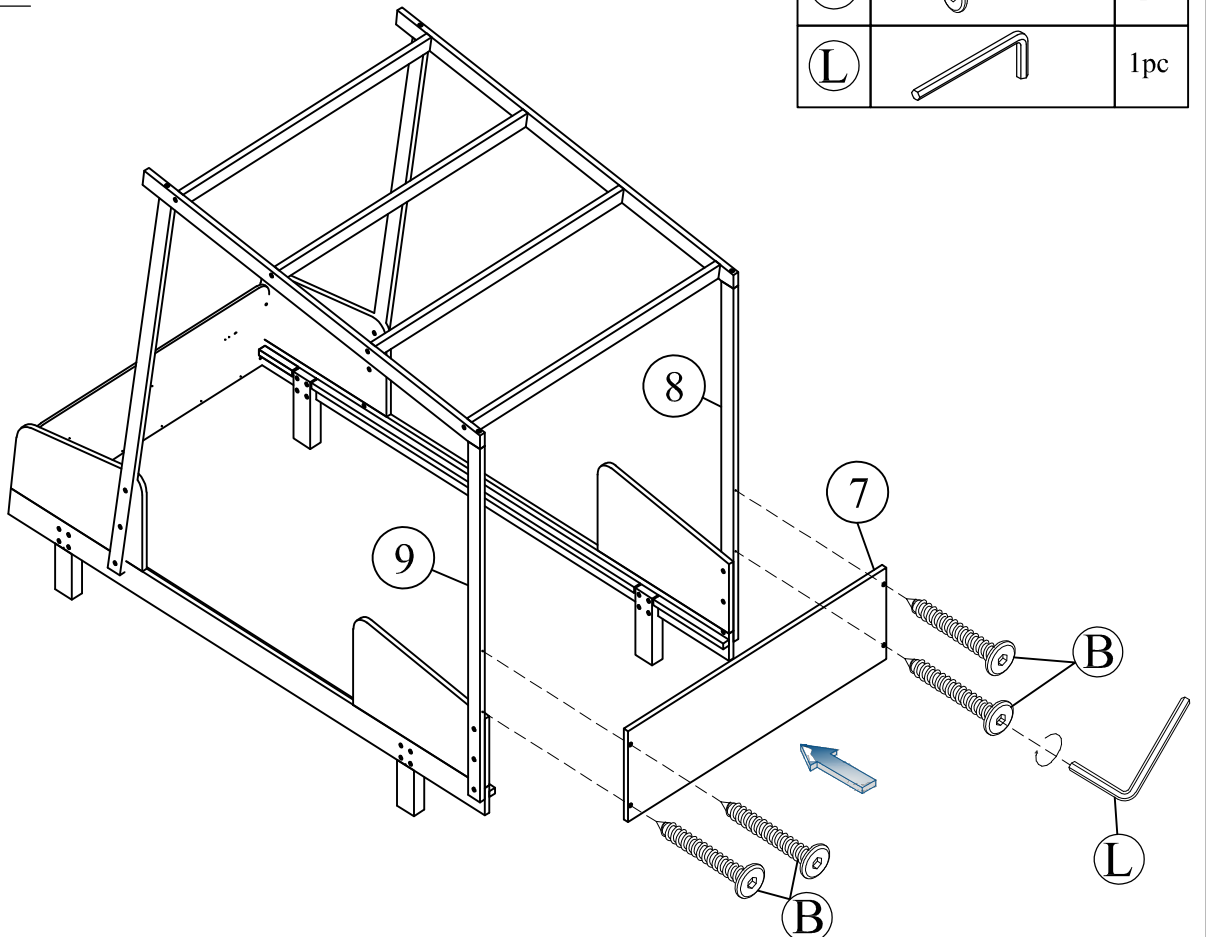


STEP 13:



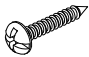
(L)		1pc
(C)		4pcs
(A)		4pcs
(M)		2pcs
(K)		8pcs

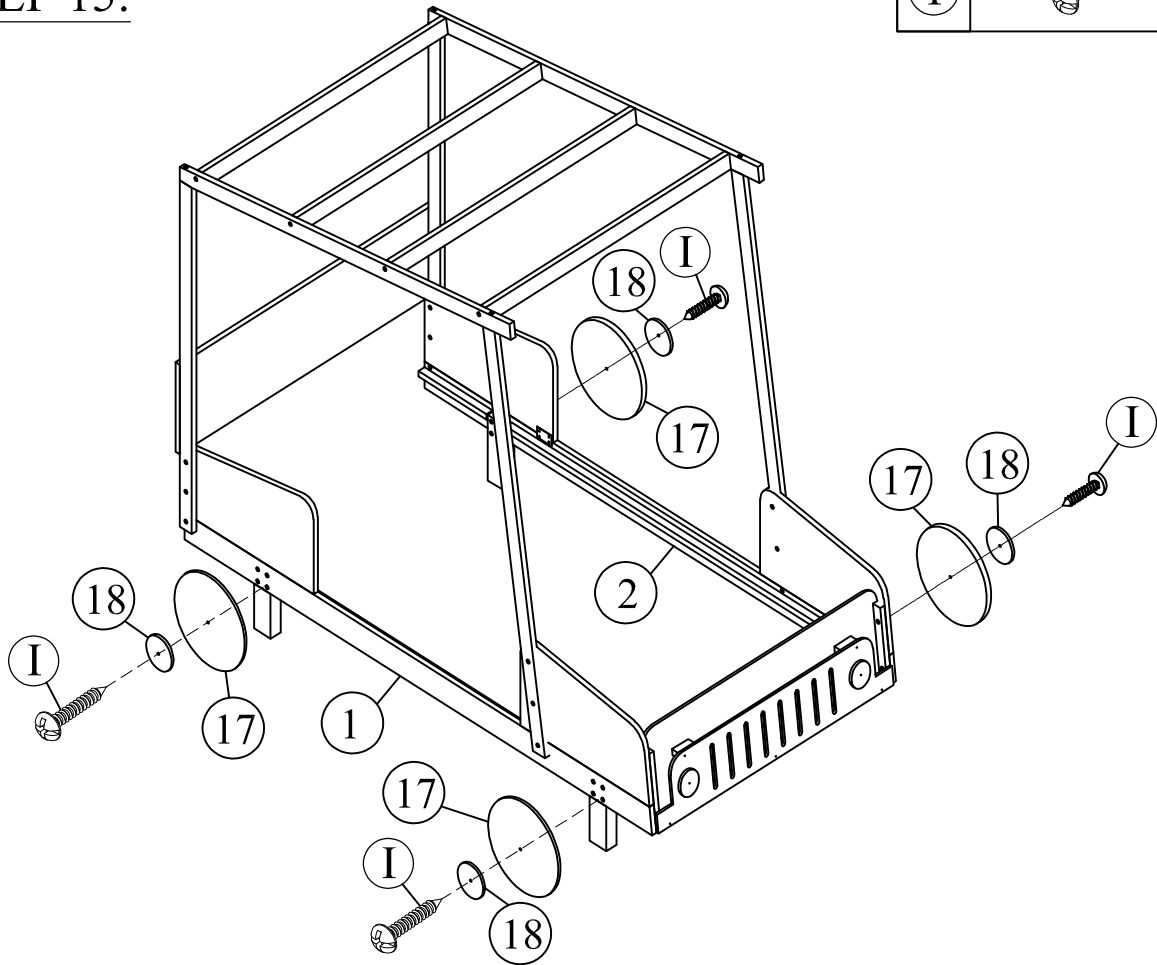
STEP 14:





(B)		4pcs
(L)		1pc

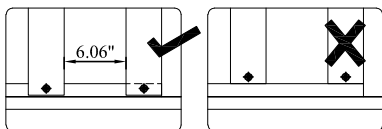
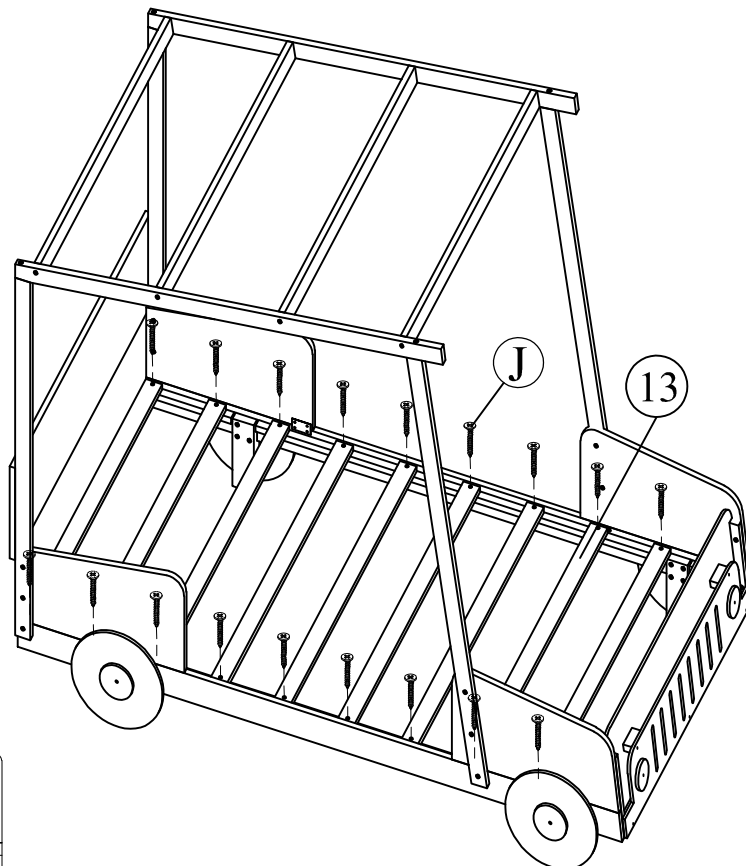
STEP 15:

I		4pcs
---	---	------

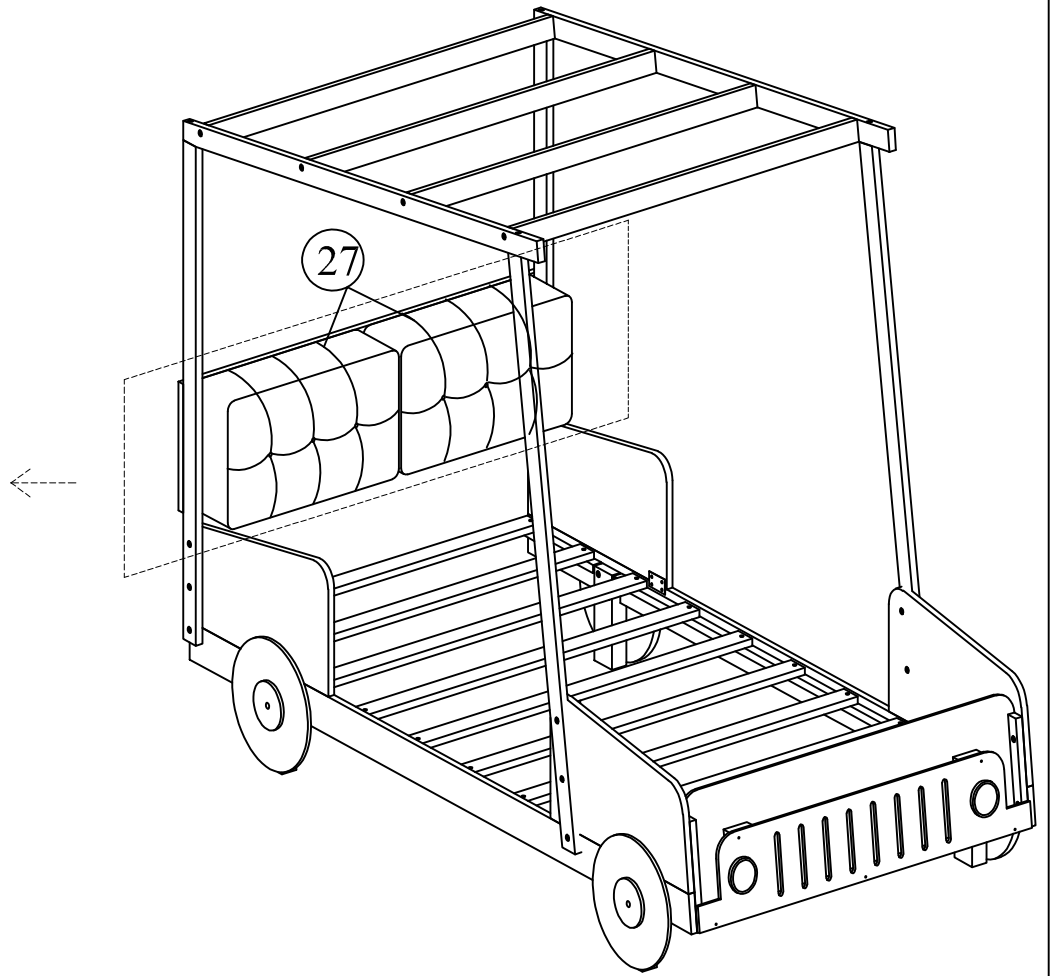
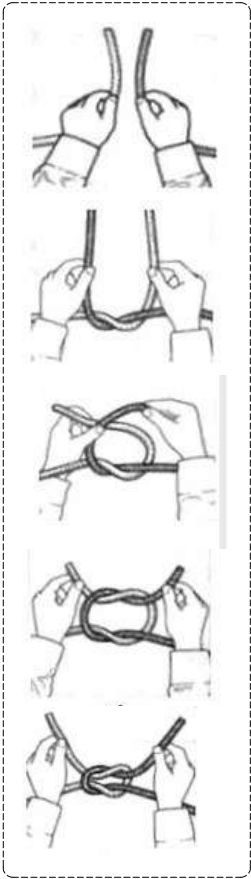


STEP 16:

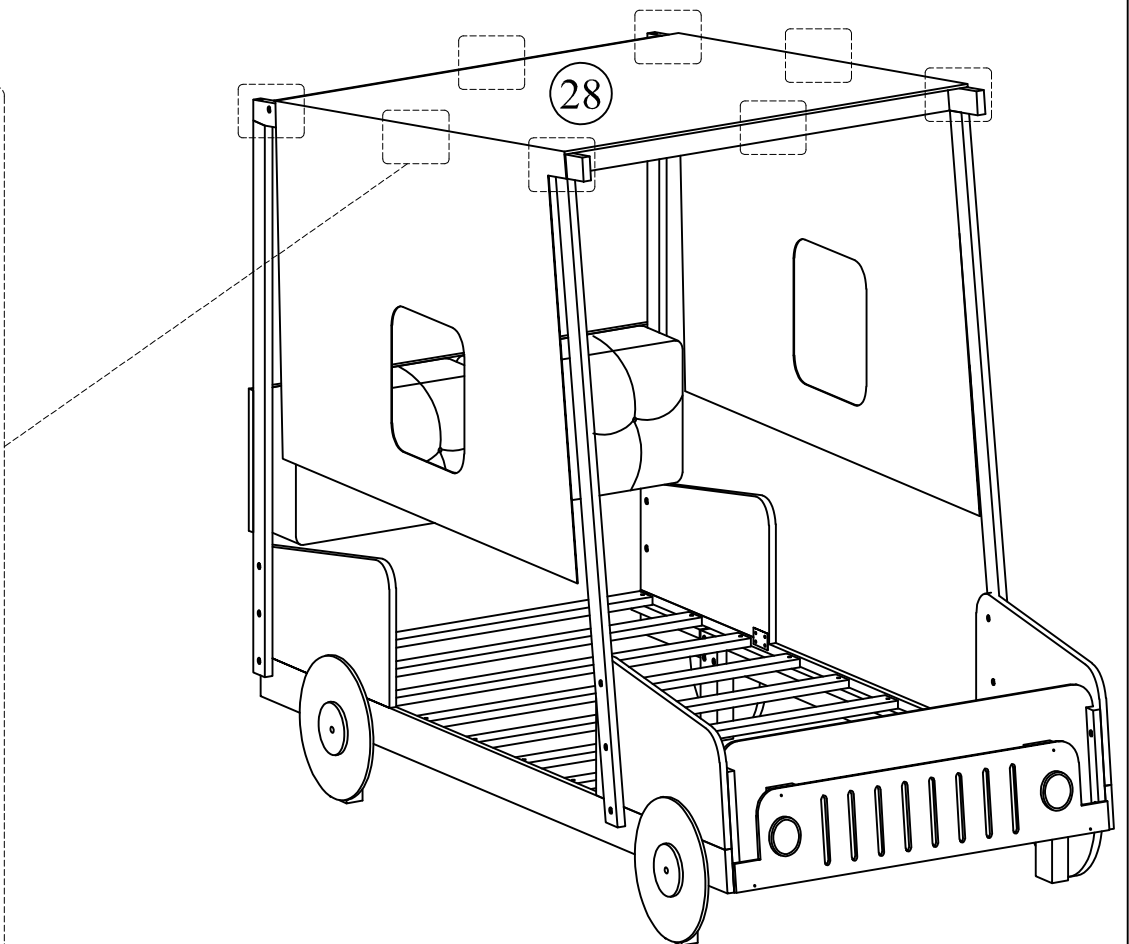
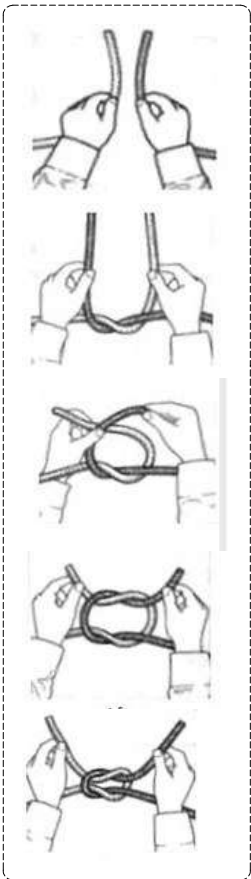
L		1pc	J		20pcs
---	---	-----	---	---	-------



STEP 17:

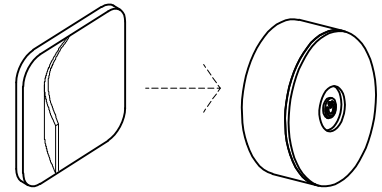


STEP 18:

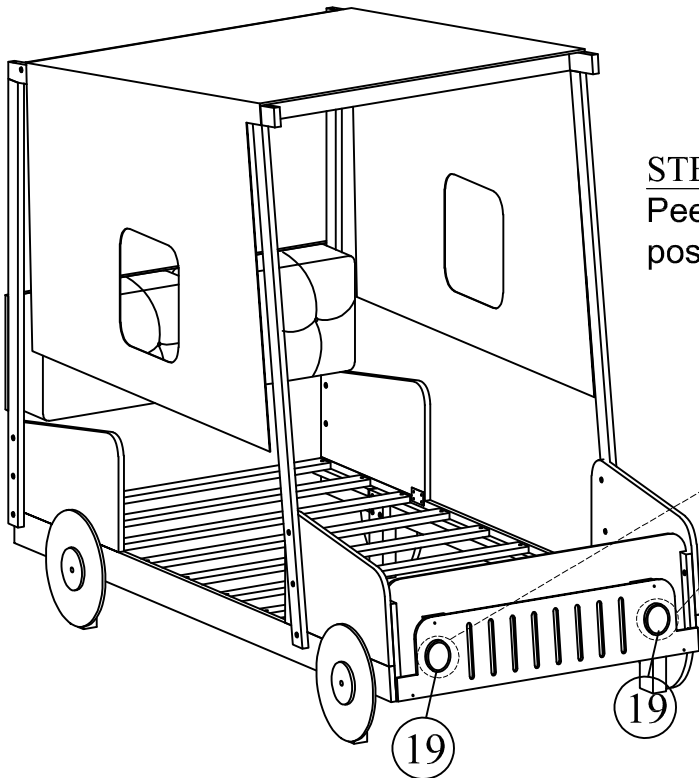
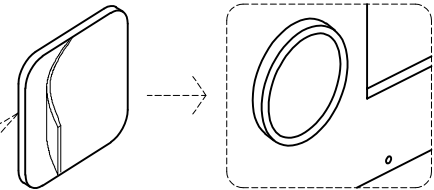


STEP 19:

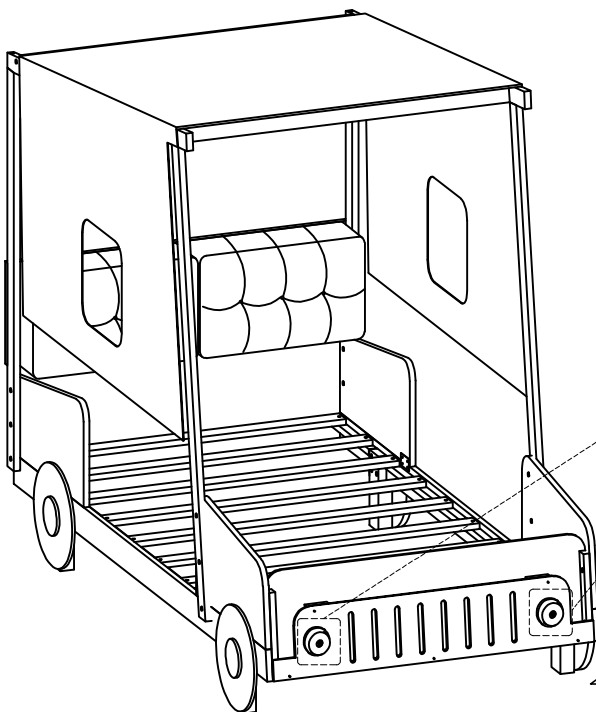
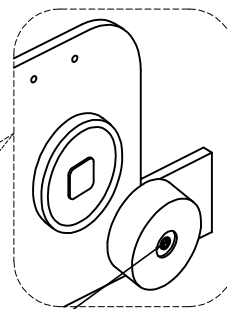
STEP 19 -1:
Peel of the rubber,stick it
on the underside of the
lamp.



STEP 19 -2:
Peel of the rubber,paste in
position number 19.



STEP 19 -3:
Stick the light in the position
(number 19) with a magnet.



Click on the guided position, adjust the
brightness according to the user's discretion.



Final:

