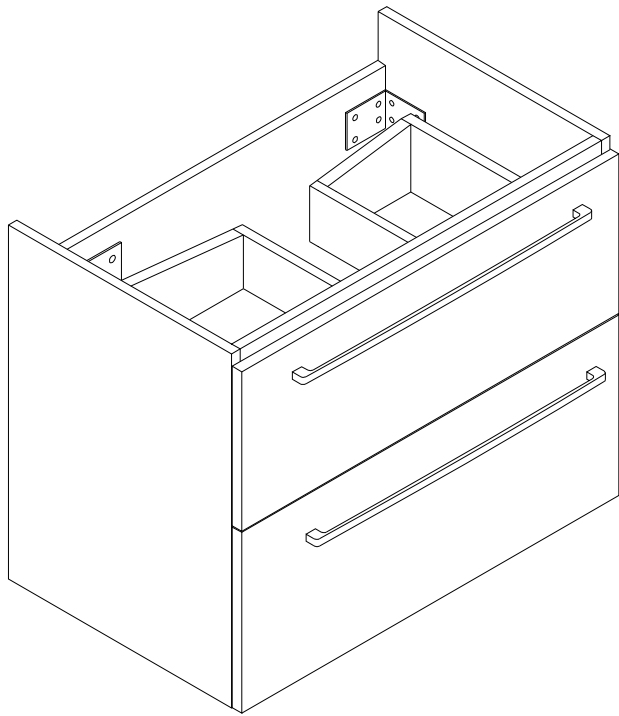


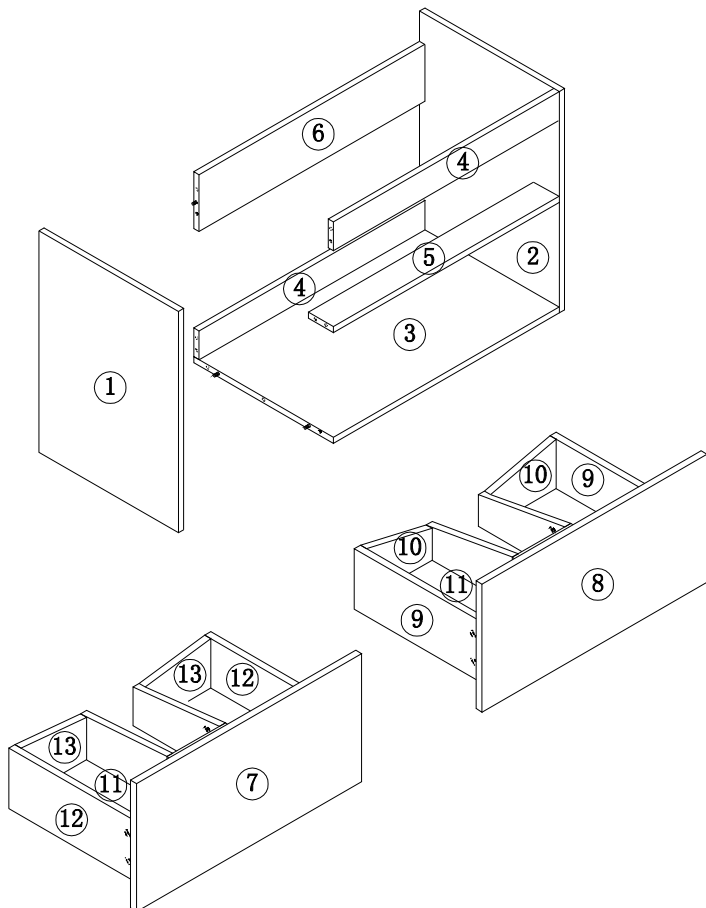
DIMENSIONS



PARTS LIST

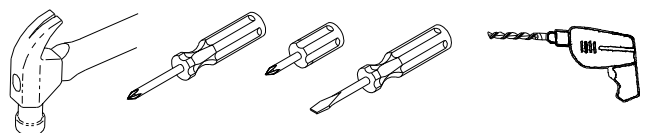
PARTS LIST			HARDWARE LIST		
NO	DESCRIPTION	QTY	NO	DESCRIPTION	QTY
①		1	A		42
②		1	B		42
③		1	C		42
④		2	D		22
⑤		1	E		4
⑥		1	F		60
⑦		1	G		4
⑧		1	H		2
⑨		2	I		2
⑩		2	J		2
⑪		2			
⑫		2			
⑬		2			
⑭					
⑮					
⑯					
⑰					

ASSEMBLY DIAGRAM



CAUTION: Please confirm the parts list before installation

YOU MAY NEED (NOT SUPPLIED)

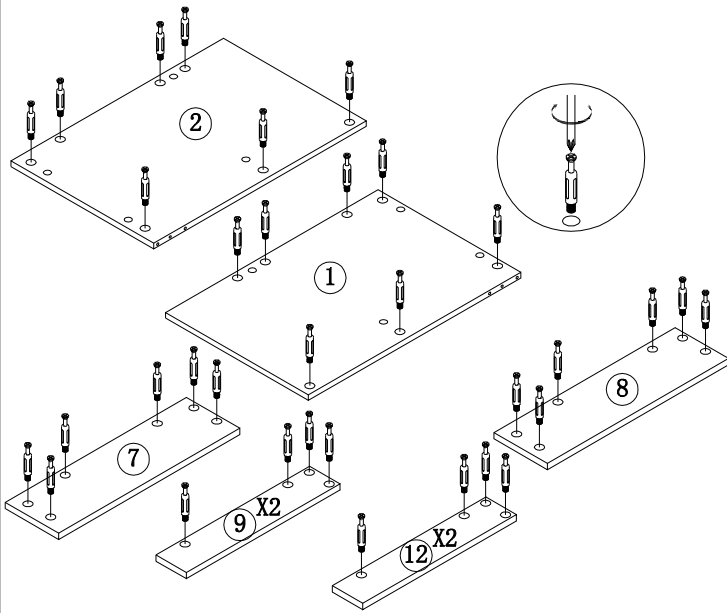
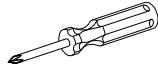


INSTALLATIONS

STEP 1

HARDWARE LIST

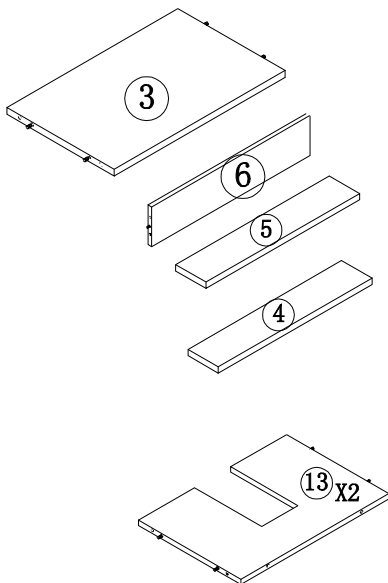
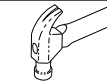
B  42PCS



STEP 2

HARDWARE LIST

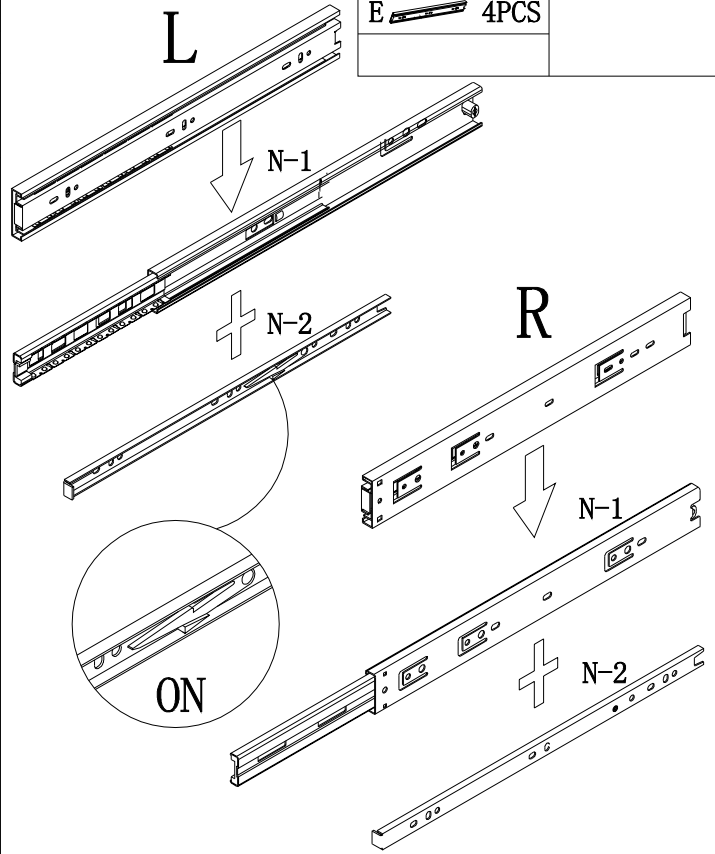
D  14PCS



STEP 3

HARDWARE LIST

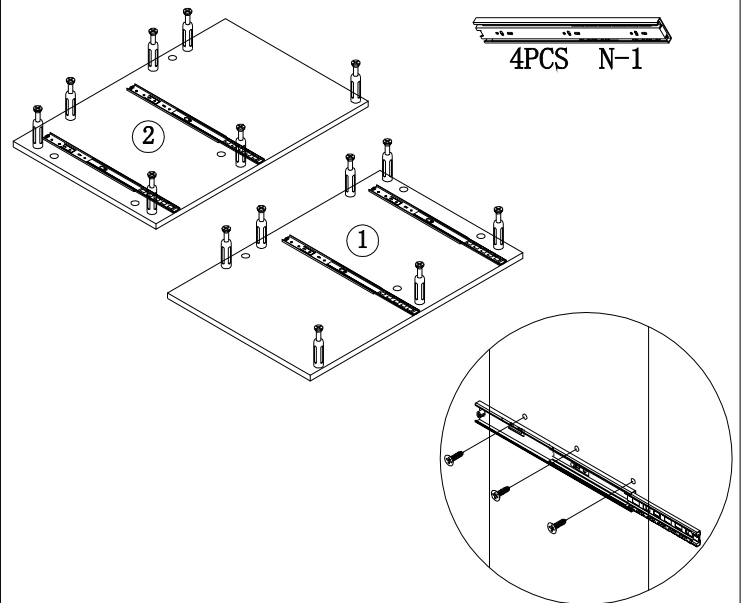
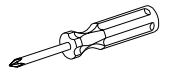
E  4PCS



STEP 4

HARDWARE LIST

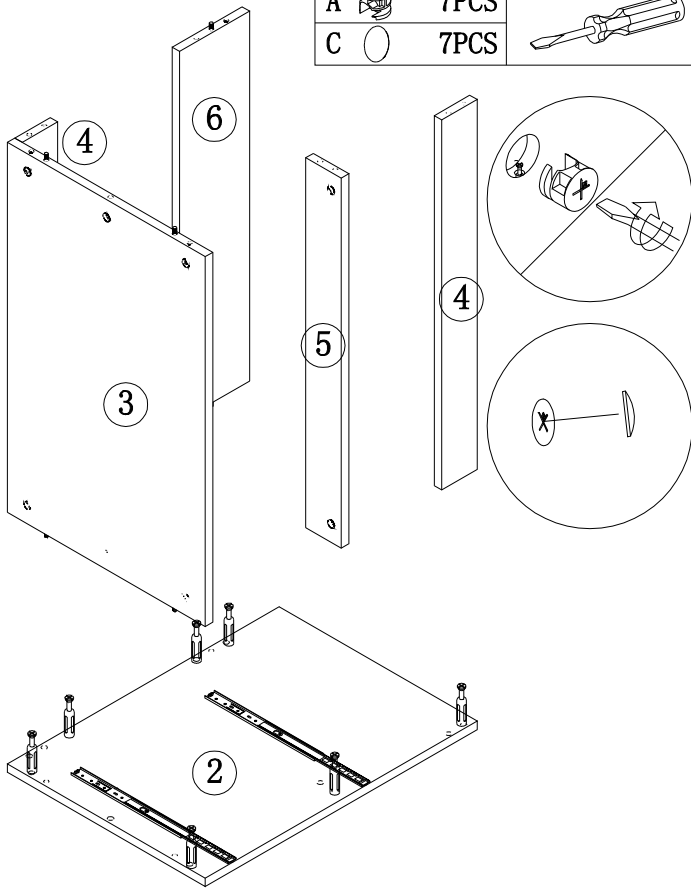
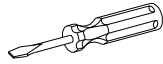
F  12PCS



STEP 5



HARDWARE LIST

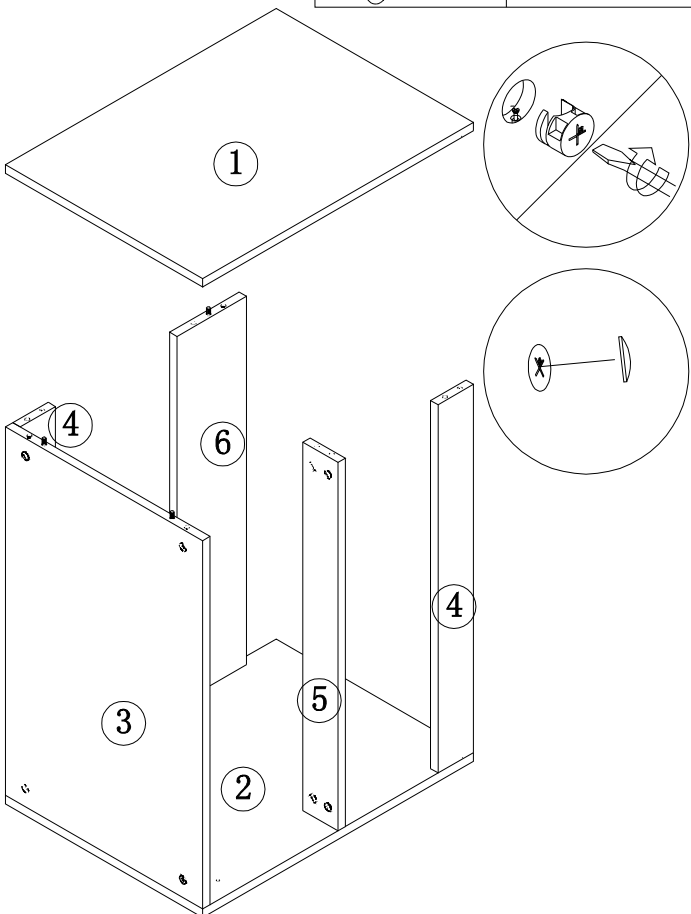
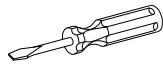
A		7PCS
C		7PCS



STEP 6





HARDWARE LIST

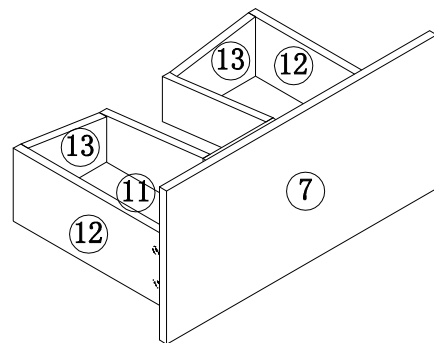
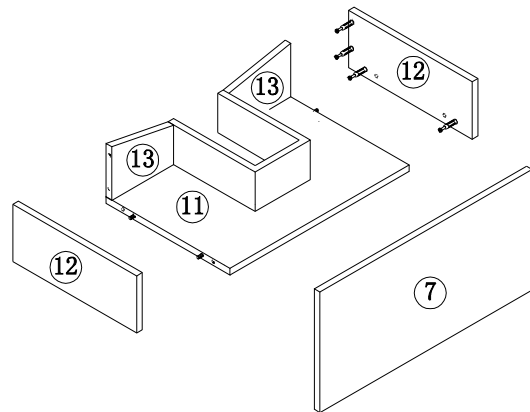
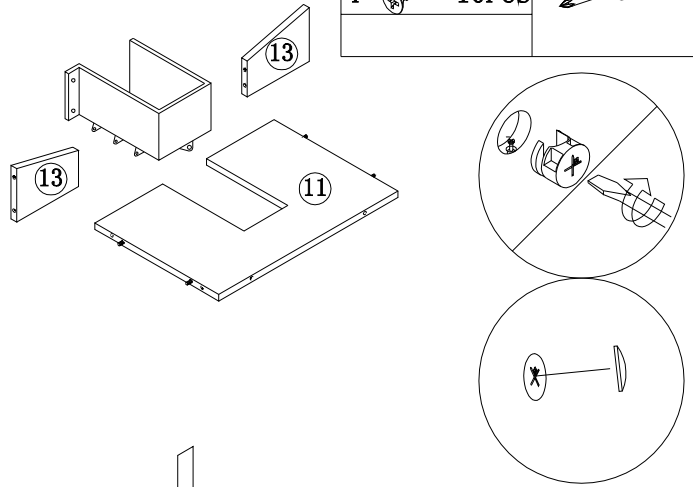
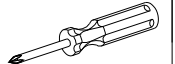
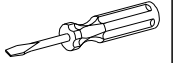
A		7PCS
C		7PCS



STEP 7


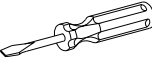
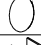



HARDWARE LIST

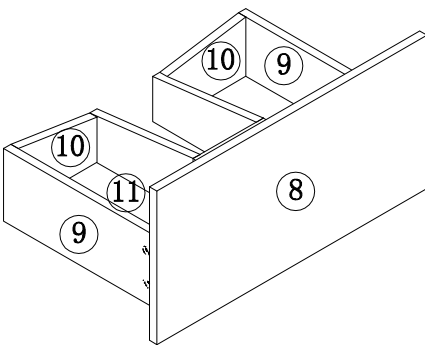
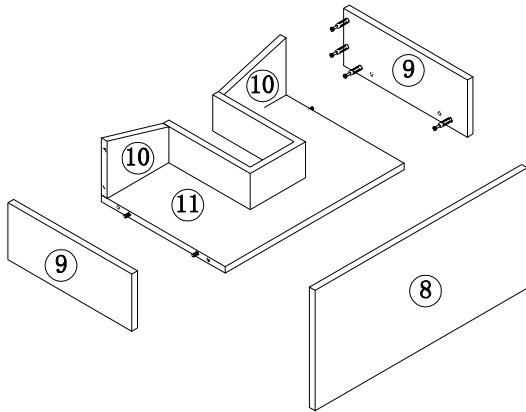
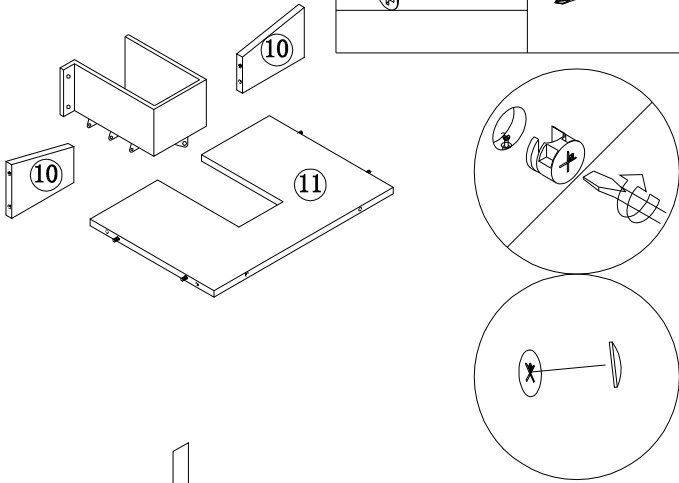
A		14PCS
C		14PCS
J		1PCS
F		10PCS



STEP 8


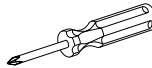


HARDWARE LIST

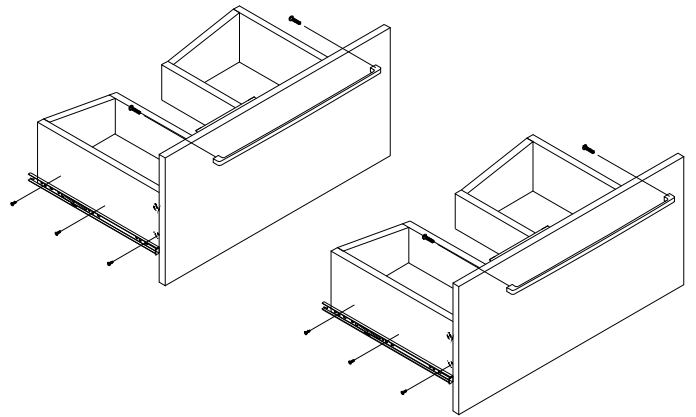
A		14PCS	
C		14PCS	
J		1PCS	
F		10PCS	



STEP 9


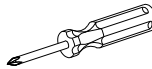

HARDWARE LIST

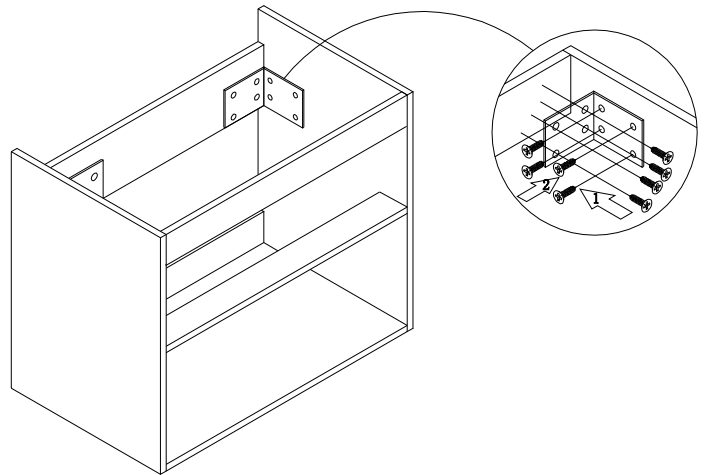
F		12PCS	
G		4PCS	
H		2PCS	



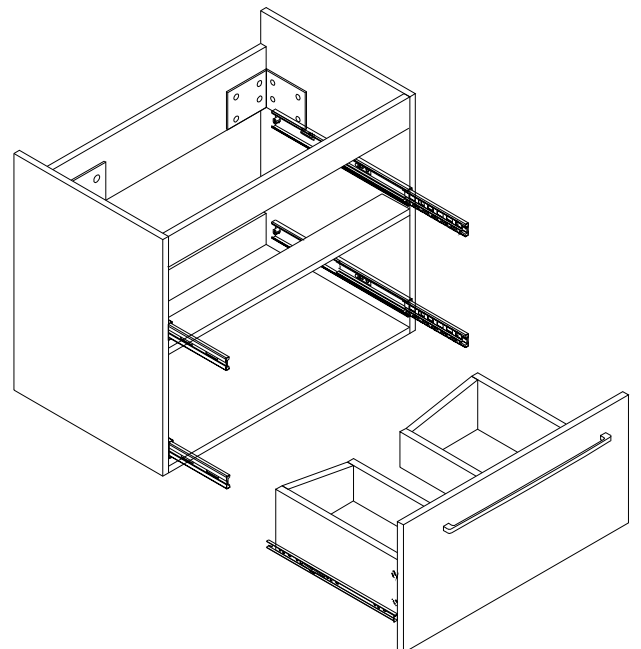
STEP 10

HARDWARE LIST

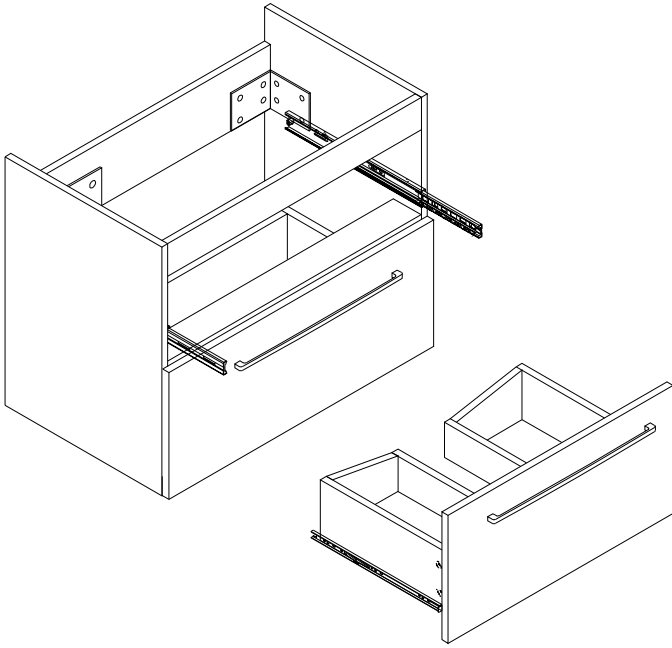
F		16PCS	
I		2PCS	



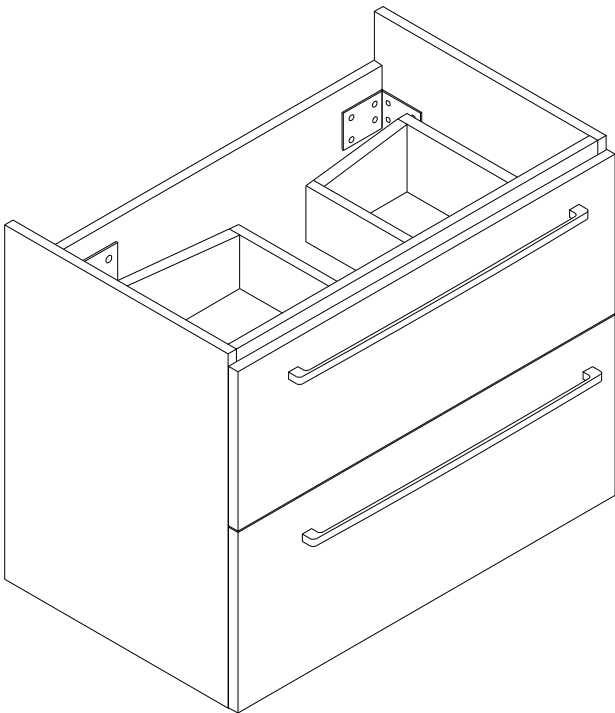
STEP 11



STEP 12



STEP 13



Choking hazard-Small Parts : This unit contains small parts, not for children under 3 years.

Tip-over hazard : Secure finished unit to wall stud using L-Bracket and wall screw (#10*1.5"W/out provided). If a wall stud is not neccessible ,Consault your local hardware store for appropriate mounting hardware . Failure to properly install will result in product collapse or tip-over. Serious injury can occur .