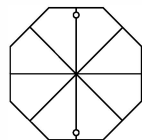


Installation manual

Dimensions : L9.5" W9.5" H15.5" L2
Bulb Type : E12 bulb not included
Total Weight : 4.6 LBS



Thank you for choosing our product(s).
Our Company is actively involved in every step of the production.
Our product(s) are designed to be utilized for every application that graces your home or business.
We pride ourselves in providing the most prompt and courtesy service to all of the valued customers.



L9.5"W9.5"H15.5" L2

SAFETY

Warning: MAKE SURE THE ELECTRICITY TO THE WIRES YOU ARE WORKING ON IS SHUT OFF BY EITHER REMOVING THE FUSE OR TURNING OFF THE CIRCUIT BREAKER.

CAUTION

- Before assembling the lighting fixture, please read all instructions carefully.
- All frame & crystal components are fragile, please handle with care.
- Required supply circuit : 110 - 130V/60Hz
- Labeled wires are "L" for live wire, "N" for neutral wire, "E" for ground wire.
- Never install fixture on damp ceiling, the room should be dry and well ventilated
- All electrical components must be installed by a licensed electrician and in accordance with the National Electrical Code and the appropriate local electrical codes.

Unpack the Package

Please open the box carefully and check all the items are inside the box. If you have any installation, assembling and missing parts questions, please call our Customer Service department at 1-888-388-3390. Please have model number(at the front page), where you purchase from and any other relevant information ready, our customer service team will provide comprehensive and worry free service to our valued customers.

①

L9.5"W9.5"H15.5" L2

Step 1

Please use the parts list to ensure you are not missing any parts.

1512D9

PARTS LIST

Part #	Picture	Description	Qty	Check list
ZA		Canopy cover (D6"*2") (Canopy part)	1	
ZB		Crossbar (4") (Canopy part)	1	
ZC		Canopy ring (Canopy part)	1	
ZD		Canopy lock (Canopy part)	1	
ZE		L5' CHAIN05P Plain Design	1	
ZF		Power Cord 15', 18AWG, SPT-1 Clear/Gold/Black	1	
P1		Canopy part (L7.5")	1	
P2		Loop	1	
P3		Washer	1	
P4		Wire Box (D1.2")	1	
P5		Nipple	3	
P6		Nut	6	
P7		Lamp Body (D9.7"*H12.8")	1	
P8		Loop	1	
P9		Swing pipe (W0.32"*L9")	1	

②

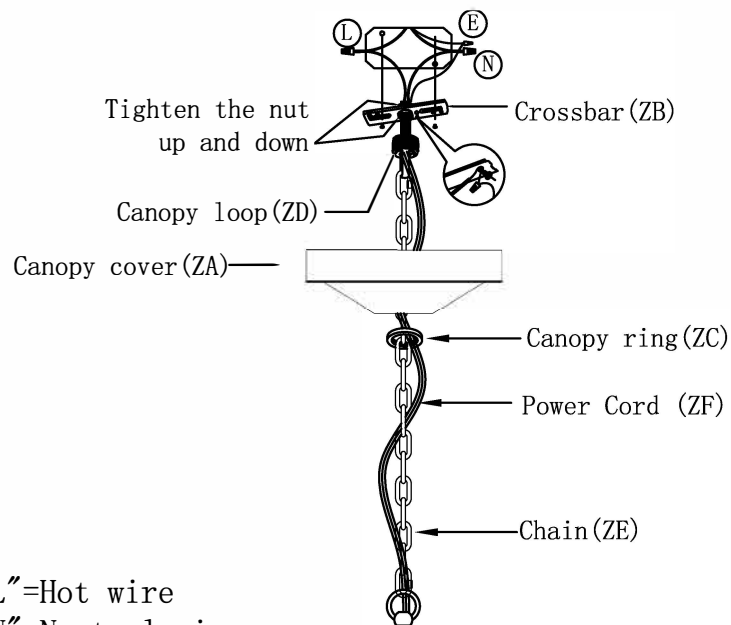
L9.5"W9.5"H15.5" L2

IMPORTANT: Test sockets with bulb before dressing the fixture.

1. Attach the crossbar to the electrical box.
2. Pass the lamp wire and ground wire through the loop, canopy ring and center hole of canopy cover.
3. Screw 2.5" threaded pipe into the crossbar and fasten with hex-nut.
4. Pull wires up through the nipple.
5. Screw loop only onto threaded pipe.
6. Hang the fixture on chain.
7. Make the electrical connections as detailed in the drawing above.
8. Secure the canopy cover with threaded canopy ring

Step 2

Canopy Installation Instruction



"L"=Hot wire
"N"=Neutral wire
"E"=GND

L9.5"W9.5"H15.5" L2

Frame Assembly Instructions

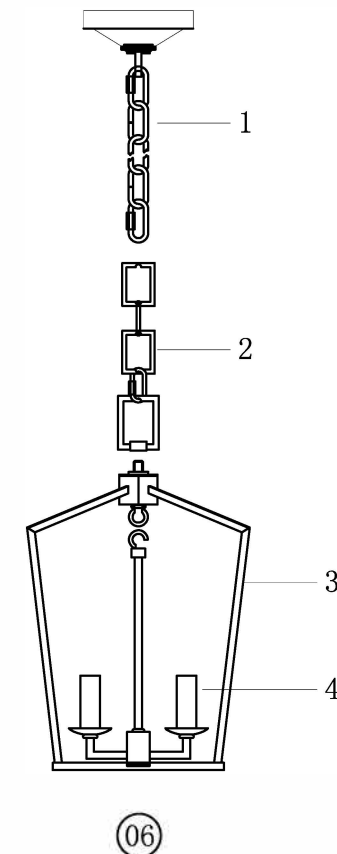
Installation:

Please read all instructions carefully. Before you proceed to install make sure that the power supply is turned off and remains off until installation is complete. Please note that each part has been assigned a number. Please proceed in a numerical order.

1. Hang the lamp body 3 on the chain 1 and 2.
2. Link the inside frame 4 on the lamp body 3.

Step 3

Frame Assembly Diagram



L9.5"W9.5"H15.5" L2

Congratulations !

You are now done installing. Sit back and admire each crystal as it will become the statement piece for your room/house.

Thank you.

07

L9.5"W9.5"H15.5" L2

Cleaning and Maintenance of Chandelier Frame

The finish on our chandelier frames and fixture frames is protected by a durable coating of lacquer. To clean, use a clean soft, dry cloth.

Do not use any metal polishes, cleaners, abrasives or any substance which could remove the protective finish.

Failure to follow these instructions automatically voids the guarantee.

Cleaning and Maintenance of Crystals

Wet a soft cotton fabric in clean warm water and wipe gently, then polish with a dry soft cotton fabric.

08

L9.5"W9.5"H15.5" L2

Warranty

The finish and frame of your new chandelier or fixture are warranted for a period of two (2) years from the date of purchase. Our company will, at its option, repair or replace any frame that has a defect in the materials or workmanship during the warranty period. All crystals are guaranteed for their original quality during the life of the chandelier. Breakage is not covered by this warranty.