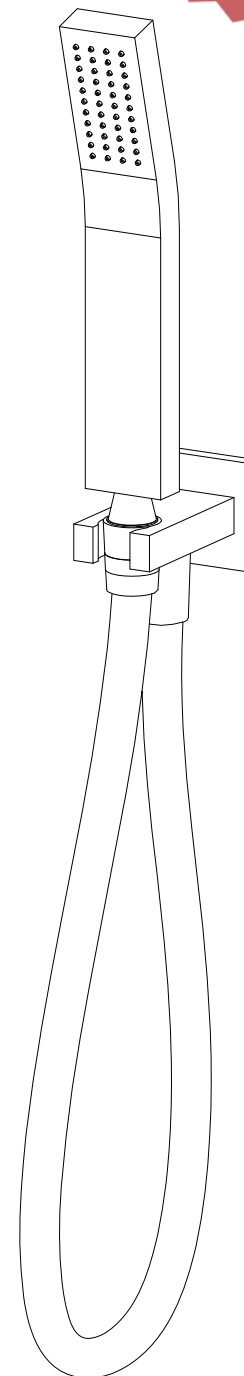
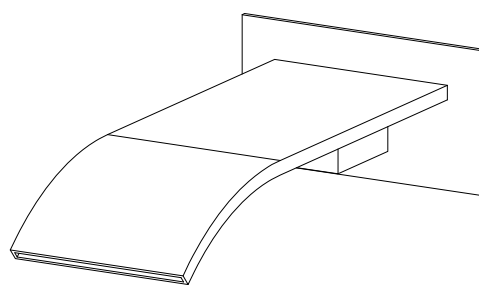
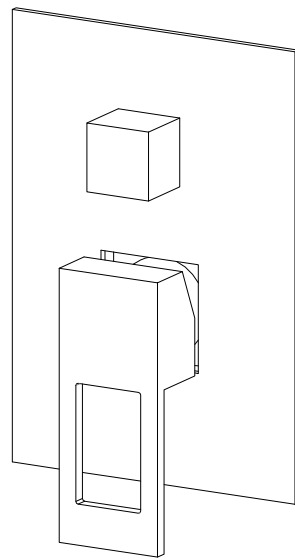
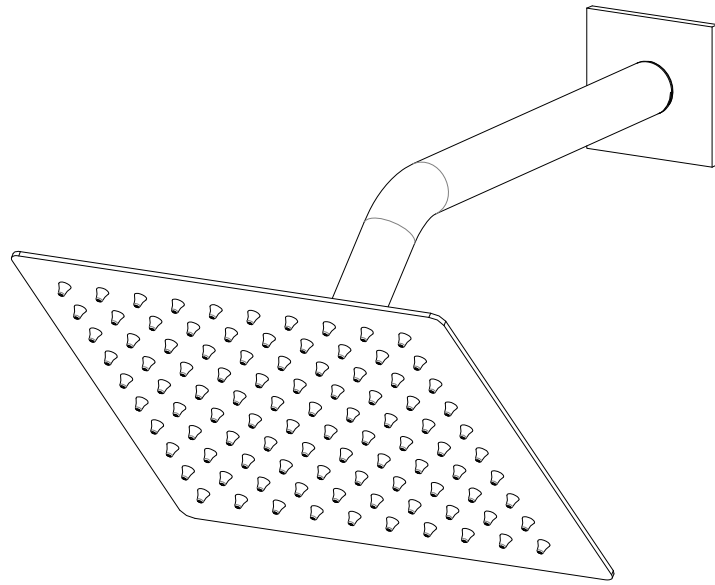


MODEL: S3233XW-B

Version: V1.6

INSTALLATION GUIDE



TUB AND SHOWER FAUCET

MODEL No.(Old)	MODEL No.(New)	FINISH
S3233CW-B	S3233WB-CH	CHROME
S3233NW-B	S3233WB-BN	BRUSHED NICKEL
S3233OW-B	S3233WB-OB	OIL RUBBED BRONZE
S3233DW-B	S3233WB-MB	MATTE BLACK
S3233BGW-B	S3233WB-BG	BRUSHED GOLD

HOT LINE: +1-866-203-0866

THANK YOU

Dear Valued Customer,

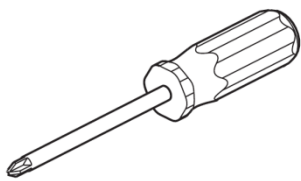
SUMERAIN would like to take this opportunity to thank you for purchasing SUMERAIN products. It is our sincere hope that you are completely satisfied with your new purchase. All SUMERAIN products are carefully engineered, and factory tested to provide long trouble-free use under normal conditions. This product is easy to install using basic tools and our easy to follow illustrated instructions. We welcome any questions or comments you may have and look forward to assisting you in the future. If you have any questions regarding this product, call +1-866-203-0866 or email to supports@sumerain.com.

Sincerely,
SUMERAIN customer service department

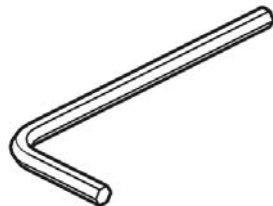
BEFORE PROCEEDING

1. Unpack your new product and ensure that all the parts are contained in the packaging. Keep the product in its original box until you ready to install it.
2. Locate water supply inlets and shut off the water supply valves. These are usually found near the water meter. if you are replacing an existing unit, remove the old unit and clean the mounting surface thoroughly.
3. Observe all plumbing and building codes in your area.
4. It is recommends calling professional if you are uncertain about installing this product.

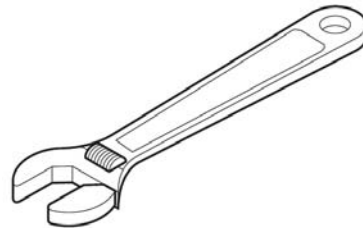
TOOLS RECOMMENDED



Philips screwdriver



Allen wrench



Adjustable wrench



Channel locks



Thread Sealant

LIMITED LIFETIME CONSUMER WARRANTY

VERSION: 20160320.18.1

This product has been manufactured and tested to the highest quality standards by SUMERAIN sanitary Inc("SUMERAIN"). This warranty is limited to SUMERAIN products which are purchased by a consumer in the China after Jan 1,2010 and installed in China or the state which has SUMERAIN technical support department locally.(visit <http://www.sumerain.com/en/supportcenter.asp> for review the state list of SUMERAIN technical support department).If the faucet should leak or drip during normal use,SUMERAIN will, free of charge, mail to the purchaser the cartridge necessary to put the faucet in good working condition. If a defect is found in normal residential use, SUMERAIN will, at its election, repair, provide a replacement part or product, or make appropriate adjustment.

WHO IS COVERED BY THE WARRANTY

This warranty extends to the original consumer purchaser only (exclusive online retail original customer, online retail original customer cover by the "Online CONSUMER Limited Lifetime WARRANTY & Return policy"), This warranty is not-transferable.

WHAT IS COVERED BY THE WARRANTY

This warranty covers only your SUMERAIN manufactured product. SUMERAIN warrants this product against defects in material or workmanship as follows: SUMERAIN will repair at no charge for parts only or, at its option, replace any product or part of the product that proves defective because of improper workmanship and/or material, under normal installation, use, service and maintenance. If SUMERAIN unable to provide replacement, SUMERAIN may elect to provide similar model upon close value.

FINISH WARRANTY

It is the responsibility of the customer to check for any material finish defects before installation. SUMERAIN doesn't warranty these finishes after the fixture has been installed.

ELECTRONIC FAUCETS WARRANTY

SUMERAIN warrants that its electronic faucets, valves and controls to be free from manufacturing defects in material and workmanship under normal use for three(3) years from the date of purchase and waterflow impeller-dynamo (generate power for LED faucet) for six(6) months from the date of purchase.

LENGTH OF WARRANTY

Replacement or repaired parts of products will be covered for the term of this warranty as stated in the following two sentences, if you are a consumer who purchased the product for use primarily for personal,family,or household purposes, this warranty extends for 5 years since the product originally installed (Extend max 1 month From the date of purchase).if you purchased the product for use primarily for any other purpose,including,without limitation, a commercial purpose or is installed outside of US, or if the finish is gold, non-Vibrant or a painted or powder coated color finish this warranty extends only for one year, with respect to SUMERAIN and commercial products.

THIS WARRANTY DOES NOT COVER, AND SUMERAIN WILL NOT PAY FOR:

- A.** Conditions, malfunctions or damage not resulting from defects in material or workmanship.
- B.** Conditions, malfunctions or damage resulting from normal wear and tear, improper installation, improper maintenance, misuse, abuse,negligence,accident or alteration or the use of abrasive or caustic cleaning agents or "no-rinse" cleaning products, or the use of the product in any manner contrary to the product instructions. Conditions in the home such as excessive water pressure or corrosion.
- C.** Labor or other expenses for the disconnection, deinstallation, or return of the product for warranty service, or for installation or reinstallation of the product.
- D.** Accessories, connected materials and products (including but not limited in handshower flexible hose, spray flexible hose, handshower,shower head).

TO OBTAIN WARRANTY PARTS OR INFORMATION

Contact your SUMERAIN retailer or contact technical service at: supports@sumerain.com

In requesting warranty service, you will need to provide

1. The sales receipt or other evidence of the date and the place of purchase.
2. A description of the problem (Download URL: <http://www.sumerain.com/download/servicerequest/sheet.pdf> and fill out the Service Request Sheet).
3. Delivery of the product or the defective part, postage prepaid and carefully packed and insured to specified address.

When warranty service is completed, any repaired or replacement product or part will be returned to you postage prepaid.

EXCLUSIONS AND LIMITATIONS

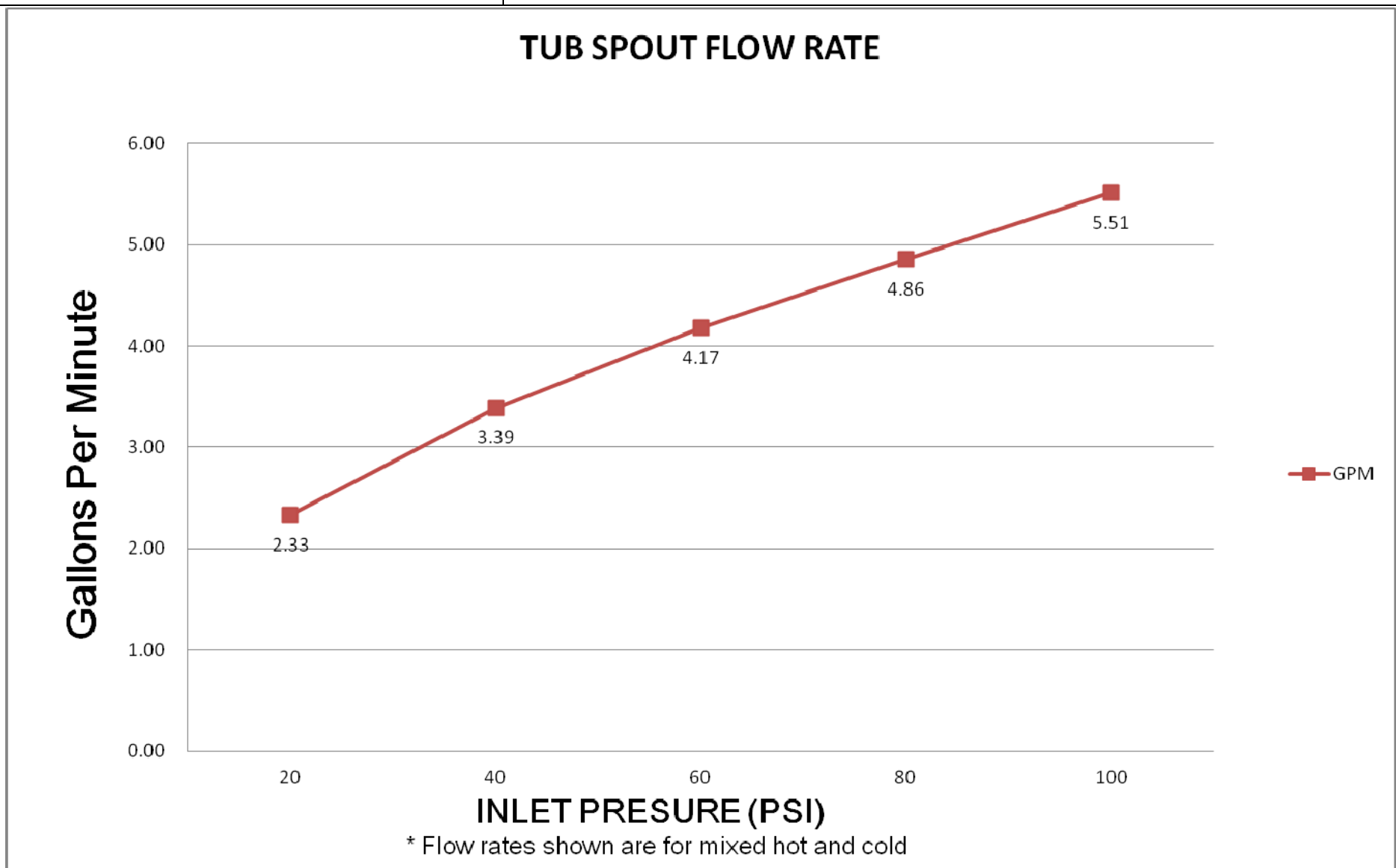
Repair or replacement (or, in limited circumstances, refund of the purchase price) as provided under this warranty is the exclusive remedy of the purchaser. SUMERAIN neither assumes nor authorizes any person to create for it any obligation or liability in connection with this product.SUMERAIN shall not be liable to purchaser or any person for any incidental, special, or consequential damages, arising out of breach of this warranty or any implied warranty (including merchantability) Some states do not allow the exclusion or limitation of incidental or consequential damages, so the above limitation or exclusion may not apply to you. This warranty gives you specific legal right, and you may have other rights which vary from state to state. You may be required by law to give us a reasonable opportunity to correct or cure any failure to comply before you can bring any action in court against us under the Magnusson-moss warranty Act.

PRODUCT INSTRUCTIONS AND QUESTIONS

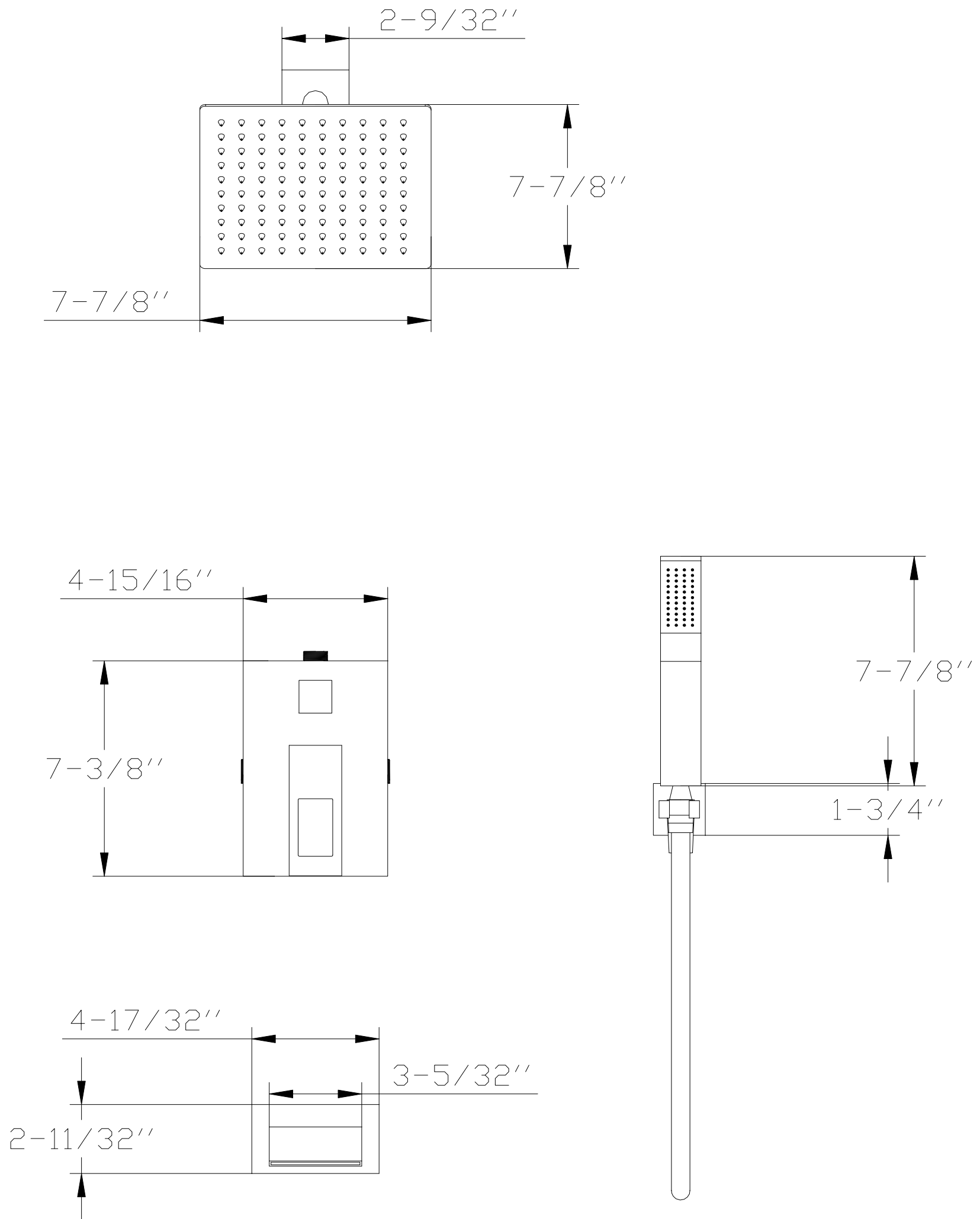
Upon purchase or prior to installation, please carefully inspect your SUMERAIN product for any damage or visible defect. Prior to installing, always carefully study the enclosed instructions on the proper installation and the care and maintenance of the product. if you have questions at any time about the use,installation,or performance of your SUMERAIN product, or this warranty, please call or email us at +1-866-2030-866, supports@sumerain.com

FUNCTIONS AND SPECIFICATION

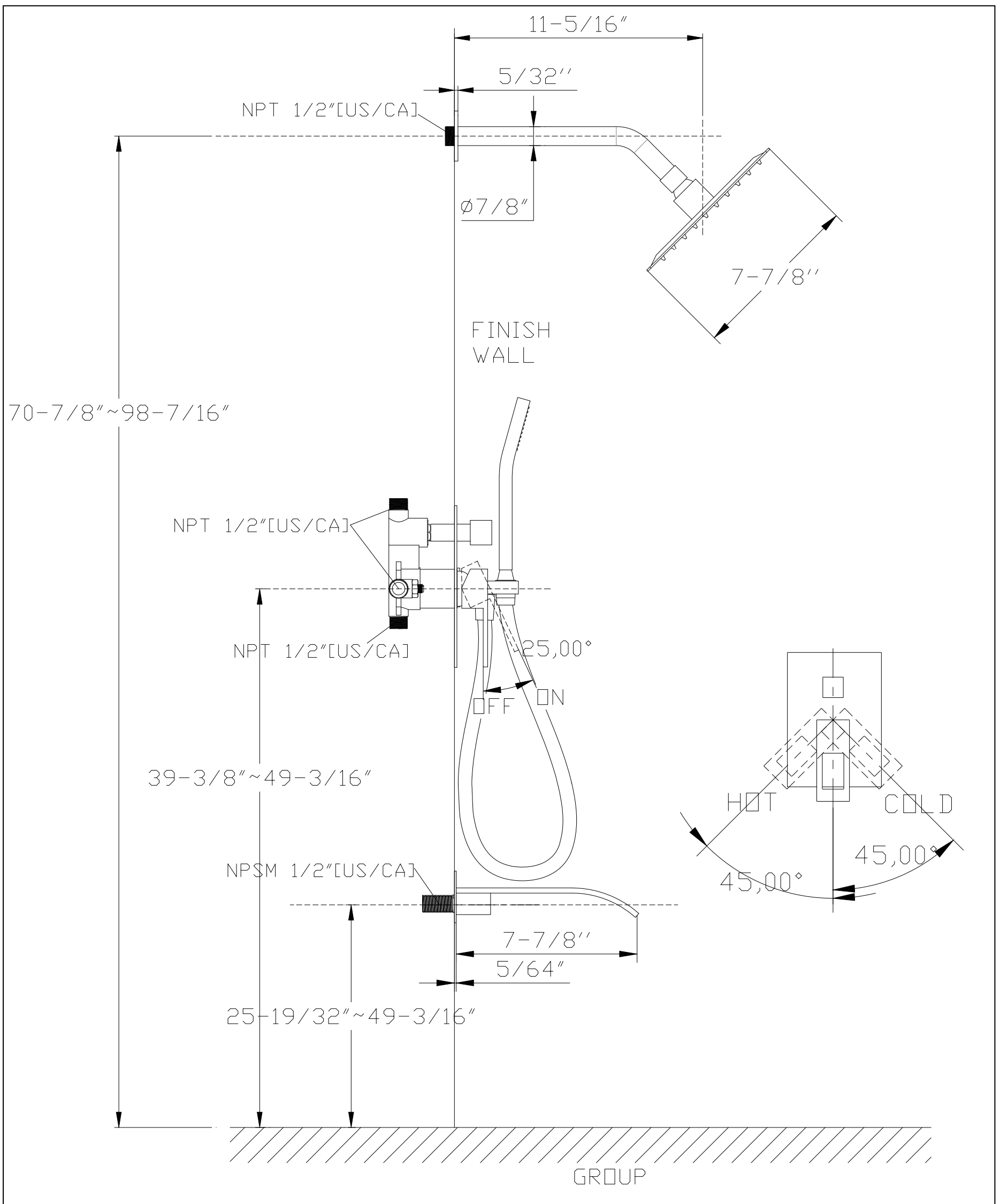
Faucet type	Tub and Shower system
Feature	Concealed tub and shower faucet
Theme	Modern, Contemporary
Mounting type	Wall mounted, Concealed
Number of Handles	One
Handles Material	Metal
Handle style	Lever
Shower Arm Reach	11-5/16"
Showerhead Width	7-7/8"
Showerhead Length	7-7/8"
Valve Type	Φ 40 Pressure Balance Ceramic Cartridge
Faucet Body Material	Brass
Escutcheon Material	Brass
Diverter included	Yes
Diverter location	Rough-in Valve
Showerhead Type	Rain shower
Showerhead shape	Ultra-thin square
Showerhead function	Single function
Showerhead Material	SUS304 Stainless steel
Showerhead Flow rate	1.8 GPM (Max)
Spout Max Flow rate	4.17GPM @60PSI
Spout Material	SUS304 Stainless steel
Spout Reach	7-7/8"
Spout width	3-5/32"
Net Weight	10.58lbs
Gross Weight	11.90lbs
Packing box [L x W x H]	19-11/16"x13-9/16"x5-5/16"



DEMENSION



FRONT VIEW OF SHOWER



SIDE VIEW OF SHOWER

INSTALLATION STEPS

1. BEFORE PROCEEDING



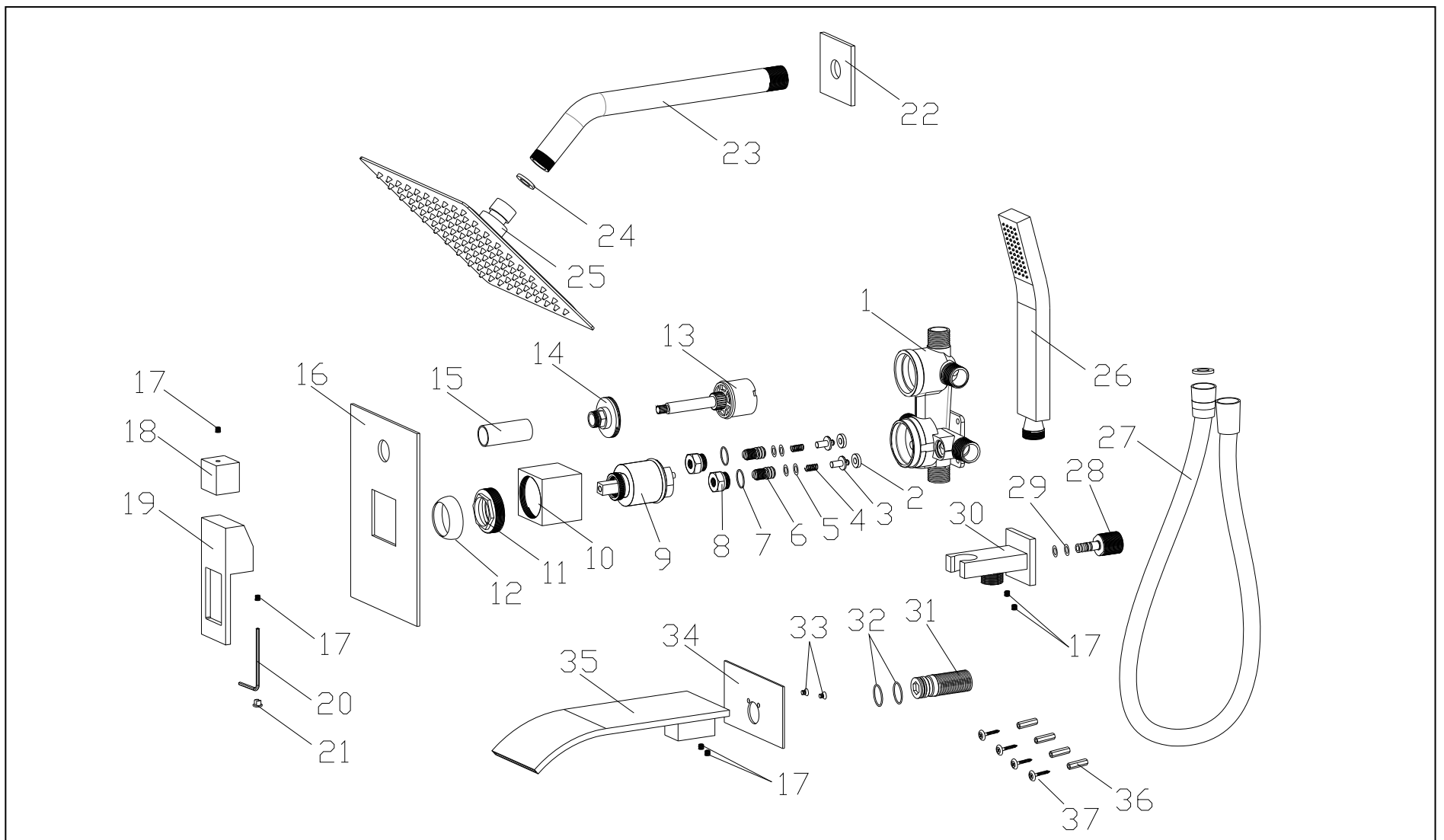
WARNING: Read all the instructions completely before proceeding. SUMERAIN recommends calling a professional if you are uncertain about installing this product!, this product should be installed in accordance with all local and state plumbing and building codes.

2. SHUT OFF WATER SUPPLY

Locate water supply inlets and shut off the water supply valves. These are usually found near the water meter. if you are replacing an existing unit, remove the old unit and clean the mounting surface thoroughly.

3. CHECKING THE CONTENTS OF THE BOX

Upon opening the box, check to ensure that all the following items are included.



NO.	ITEM NAME	MATERIAL	QTY	PART NO.	NO.	ITEM NAME	MATERIAL	QTY	PART NO.
1	Rough-in valve	HPB59-1	1	PVB32330PB	20	Allen wrench 2.5mm	Fe45#	1	PSA00003XX
2	Rubber washer	NBR	2	PRW13528XX	21	Screw cover	ABS	1	PSA00002BN
3	Check valve	HPB59-1	2	PSA32100PB	22	Shower arm flange	Zn Alloy No.3	1	PFC32181CH
4	Check valve spring	SUS304	2	PSA32101XX	23	Shower arm	SUS304	1	PPI32181CH
5	O-Ring	NBR	4	POR11020XX	24	Rubber washer	NBR	1	PRW19020XX
6	Check valve screw	HPB59-1	2	PSC32100PB	25	Shower head	ASSEMBLE	1	PTR00001CH
7	O-Ring	NBR	2	POR16020XX	26	Handheld shower	ASSEMBLE	1	PHS00001CH
8	Bonnet nut	HPB59-1	2	PNT32100XX	27	Shower hose	ASSEMBLE	1	PFH00010CH
9	Pressure balance cartridge	ASSEMBLE	1	PCT40010XX	28	Nipple of wall elbow	HPB59-1	1	PCN32180PB
10	Sleeve	HPB59-1	1	PSL32180CH	29	O-Ring	NBR	2	POR08015XX
11	Bonnet	HPB59-1	1	PSC42125PB	30	Wall elbow holder	ASSEMBLE	1	PHH32180CH
12	Flange	SUS304	1	PFC42125SB	31	Nipple supply	HPB59-1	1	PCN32181PB
13	Diverter cartridge	ASSEMBLE	1	PCT33001XX	32	O-Ring	NBR	2	POR20020XX
14	Bonnet nut	HPB59-1	1	PSC32333PB	33	Set screw(M4x6mm)	SUS304	2	PSC04010XX
15	Diverter sleeve	HPB59-1	1	PSL32181CH	34	Escutcheon	SUS304	1	PCP32330CH
16	Escutcheon	SUS304	1	PCP32260CH	35	Tub spout	SUS304	1	PSP32330CH
17	Set screw	SUS304	8	PSC05050XX	36	Anchor	ABS	4	PSA00010XX
18	Diverter knob	HPB59-1	1	PHD00001CH	37	Mounting screw	SUS304	4	PSC00002XX
19	Handle(lever)	Zn Alloy No.3	1	PHD32180CH					

If any of these items are missing, please contact SUMERAIN consumer service by email to: supports@sumerain.com.

4. PLANNING AND INSTALLATION INSTRUCTIONS



Attentions: The shower has to be installed, rinsed and checked in compliance with the applicable regulations in order to guarantee proper shower function!

The dimensions of the shower set-up must be individually.

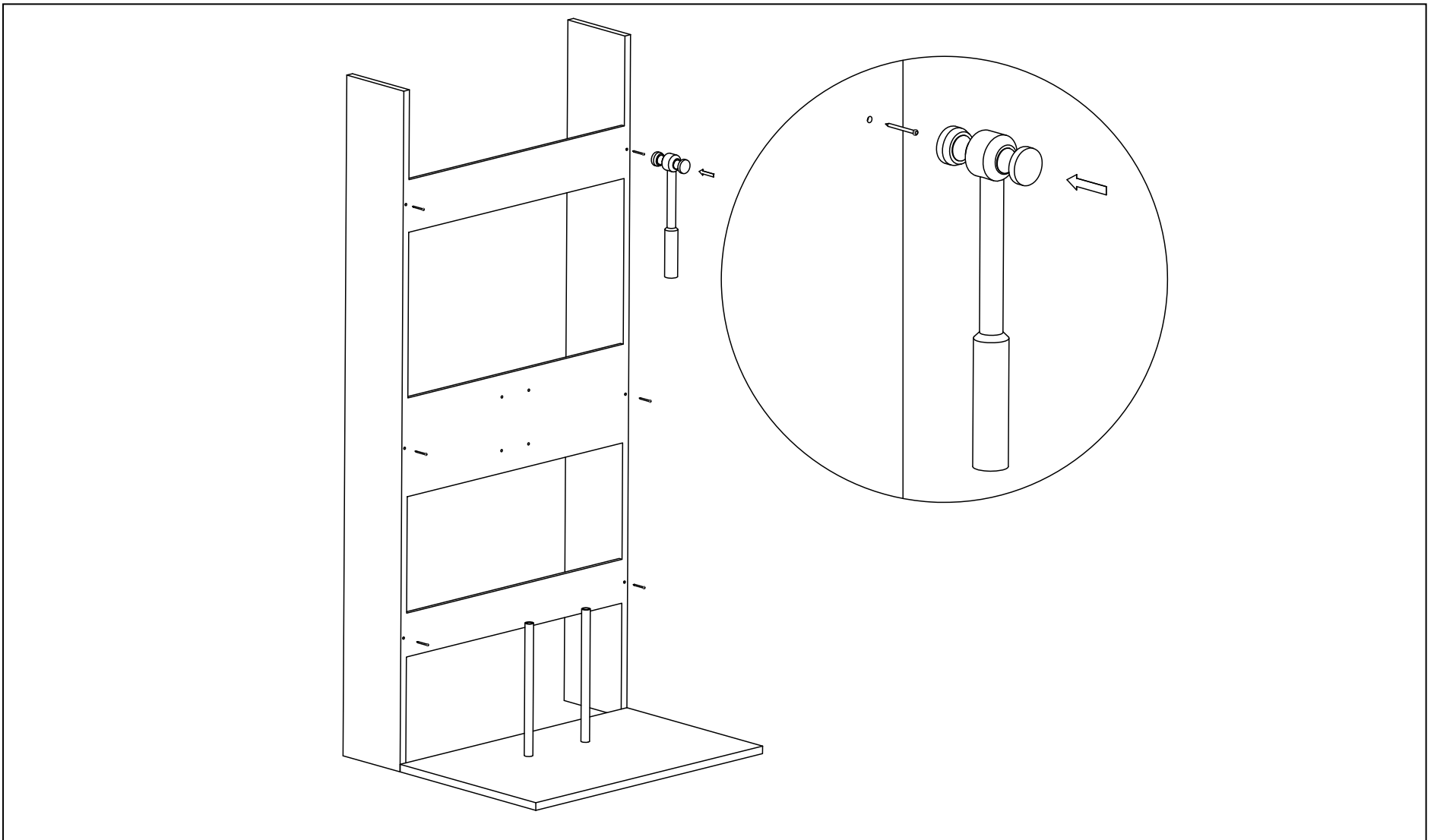
Operating pressure at the control valve:

Max. 1Mpa. Recommended operating pressure: 3 bar pressure.

Hot water temperature: Max 60 degree centigrade (140 Fahrenheit).

5. Rough-in Valve Installation

5.1 Make a mounting rack (normally use woods as materials) for preparing install the rough-in valve assembly .the mounting board's face should be Min1-25/32" and Max 2-3/4" behind the finish wall surface.



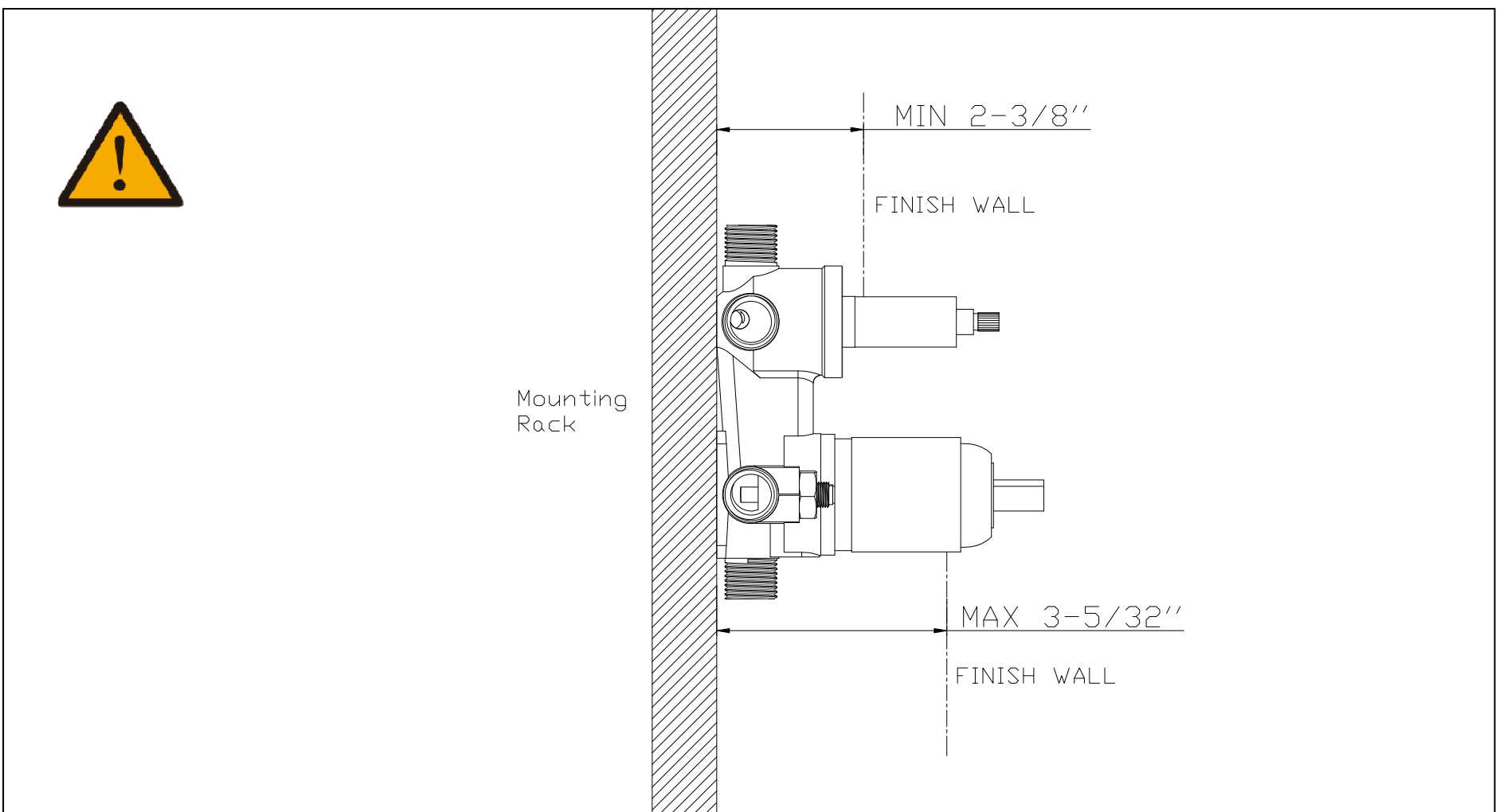
Mounting
Rack

MIN 2-3/8"

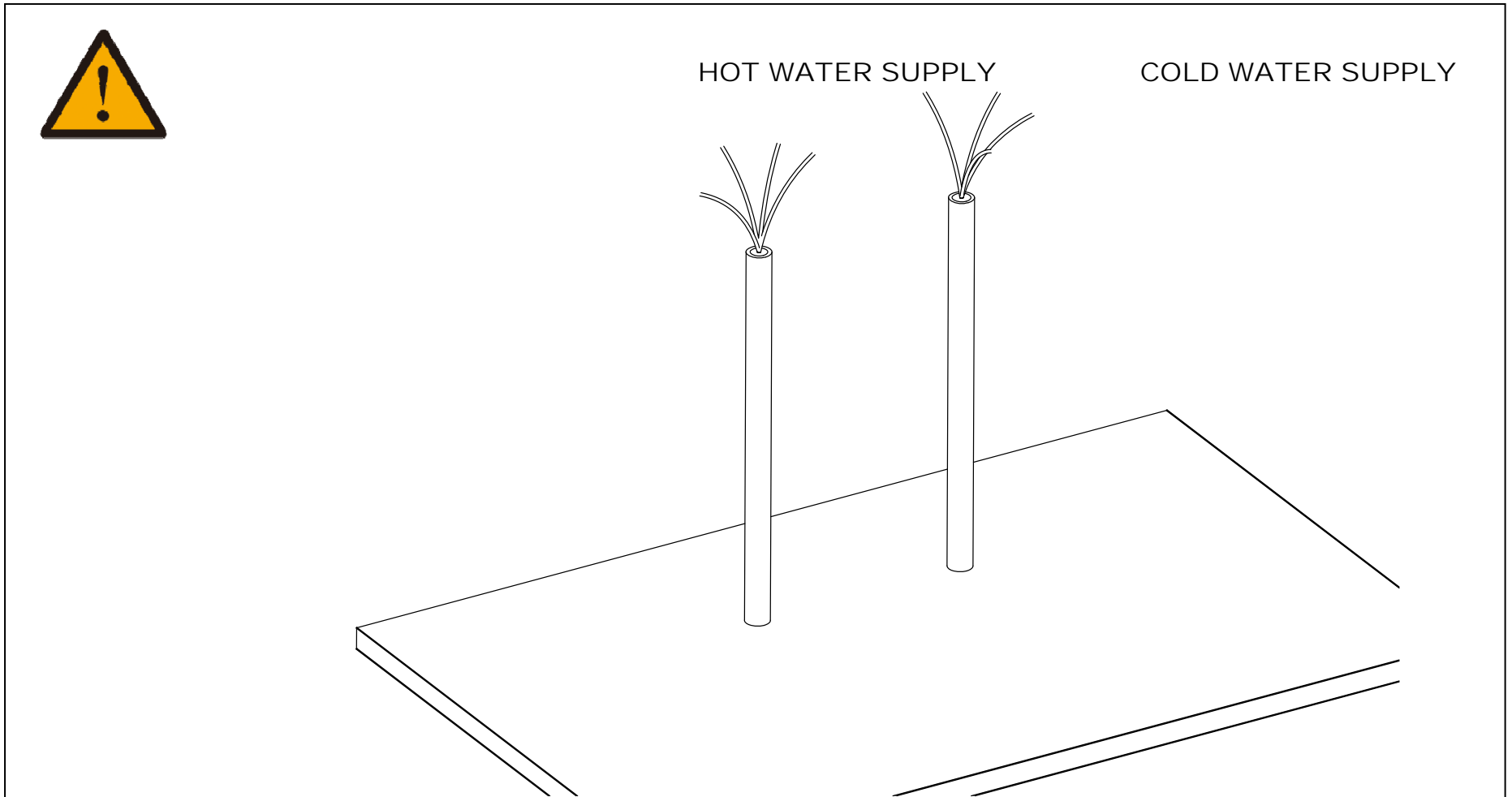
FINISH WALL

MAX 3-5/32"

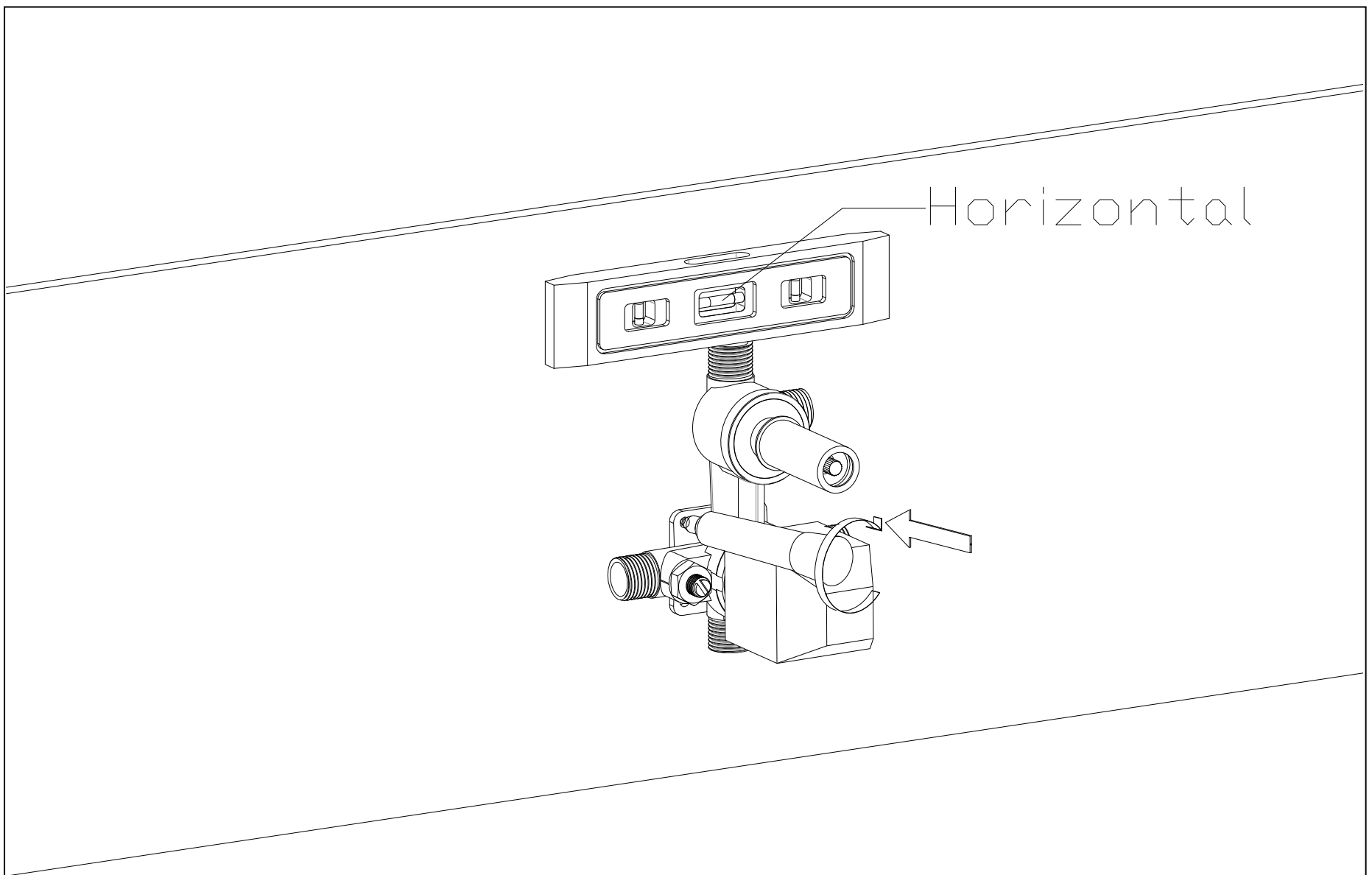
FINISH WALL



5.2 Turn on your shut-off valve for cleaning the hot and cold water supply pipe before connect to the valve body, allow the water flush 3~5 minutes to flush out dirt and debris. Shut off the water supply again after finish.



5.3 Locate and level the valve assembly with air level. Mark the mounting hole of rough-in valve on mounting rack.

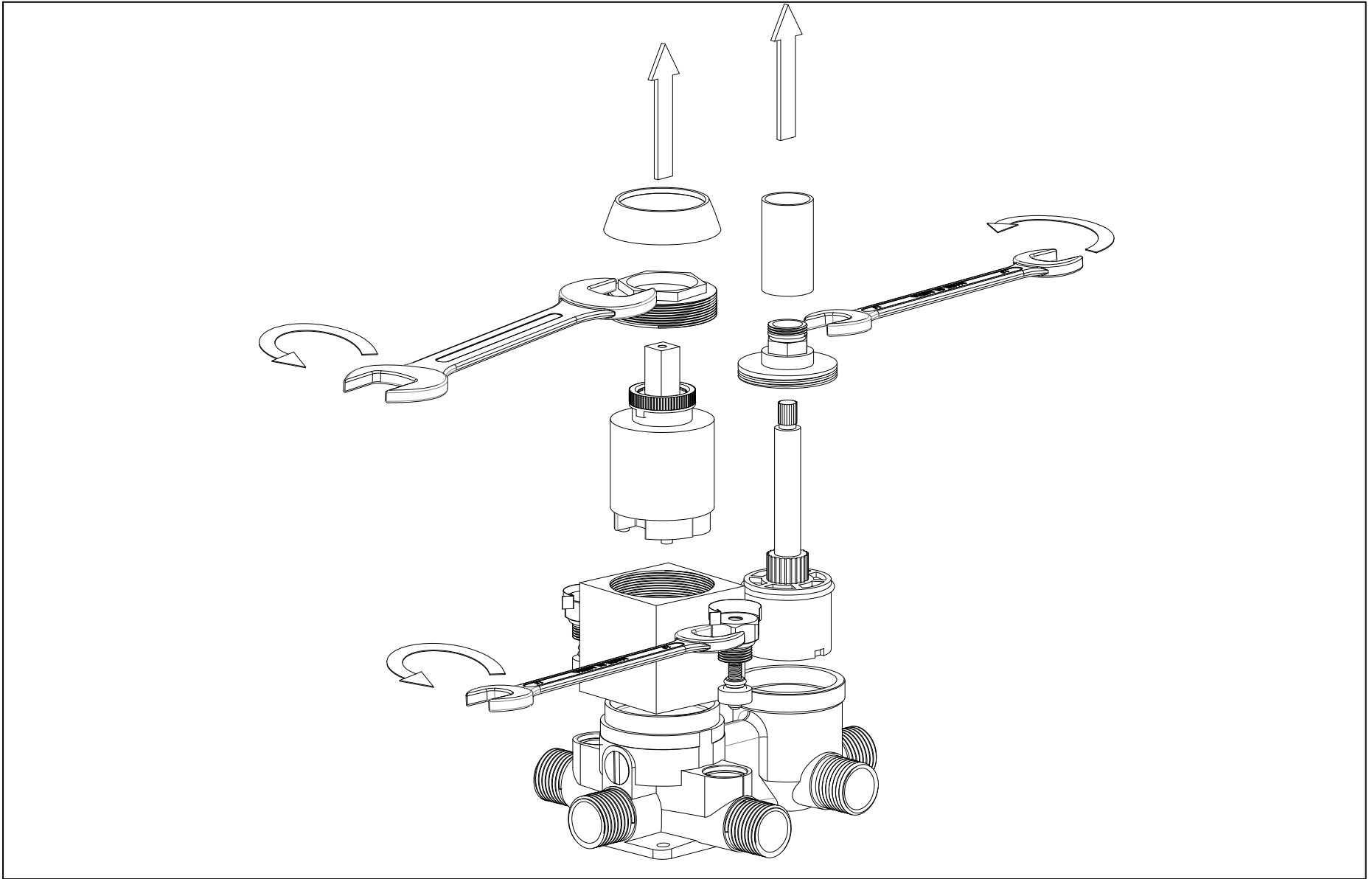


5.4 Connect valve body to water supplies using the proper fittings for your valve body type (copper tubing, iron pipe or Pex).

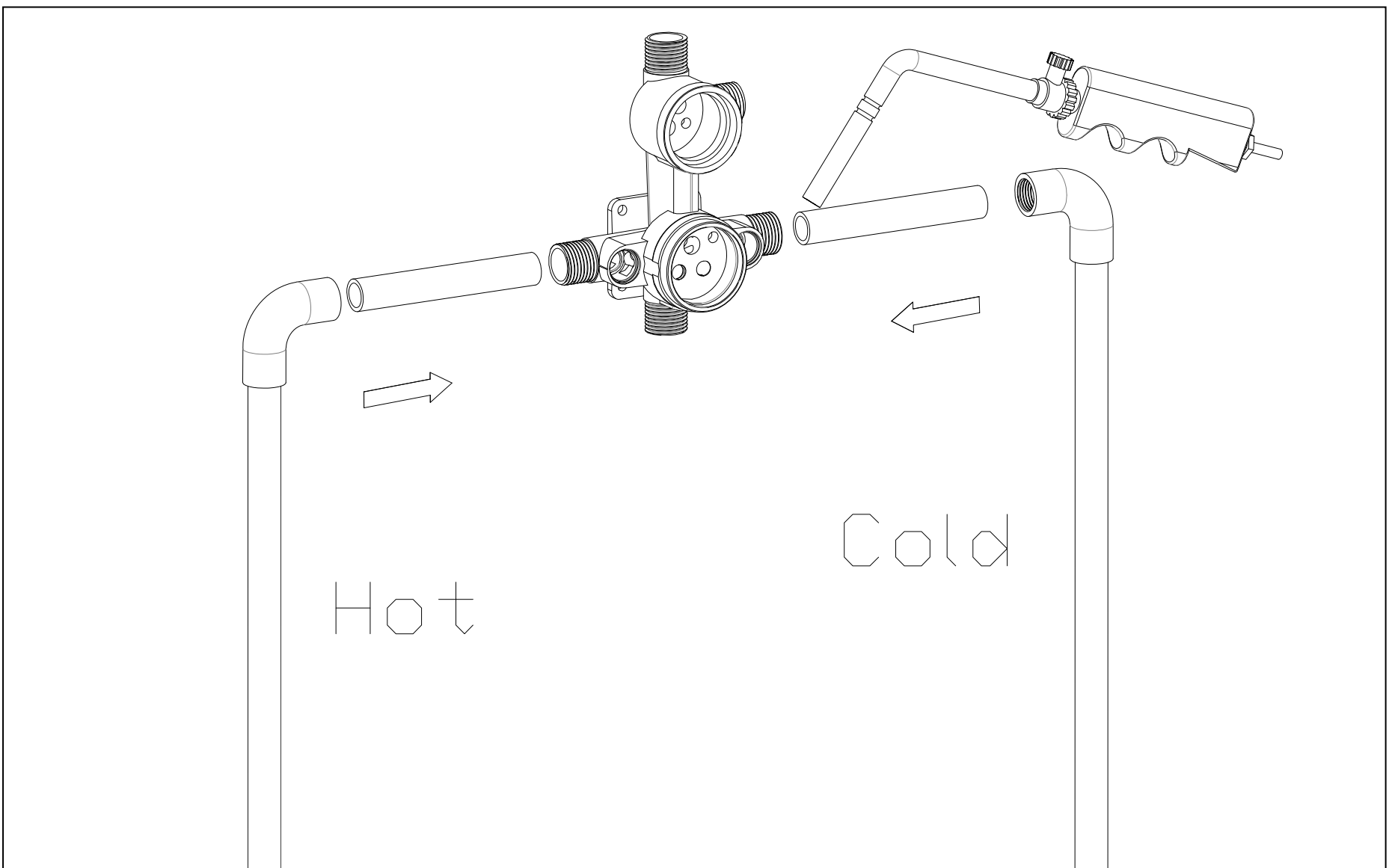
Note: For Pex, be sure to use the right fitting for crimping and the right tool for cold expansion.

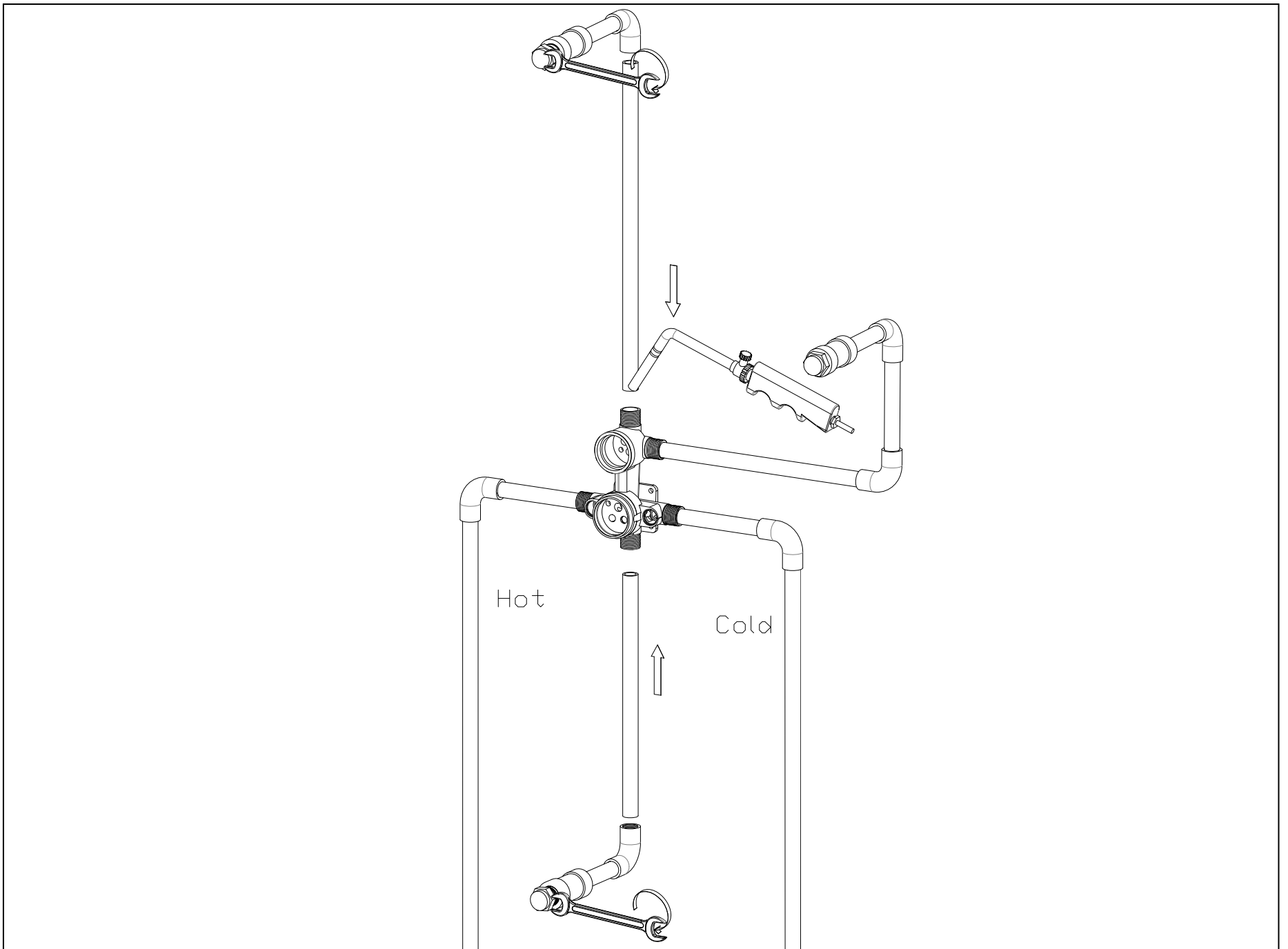
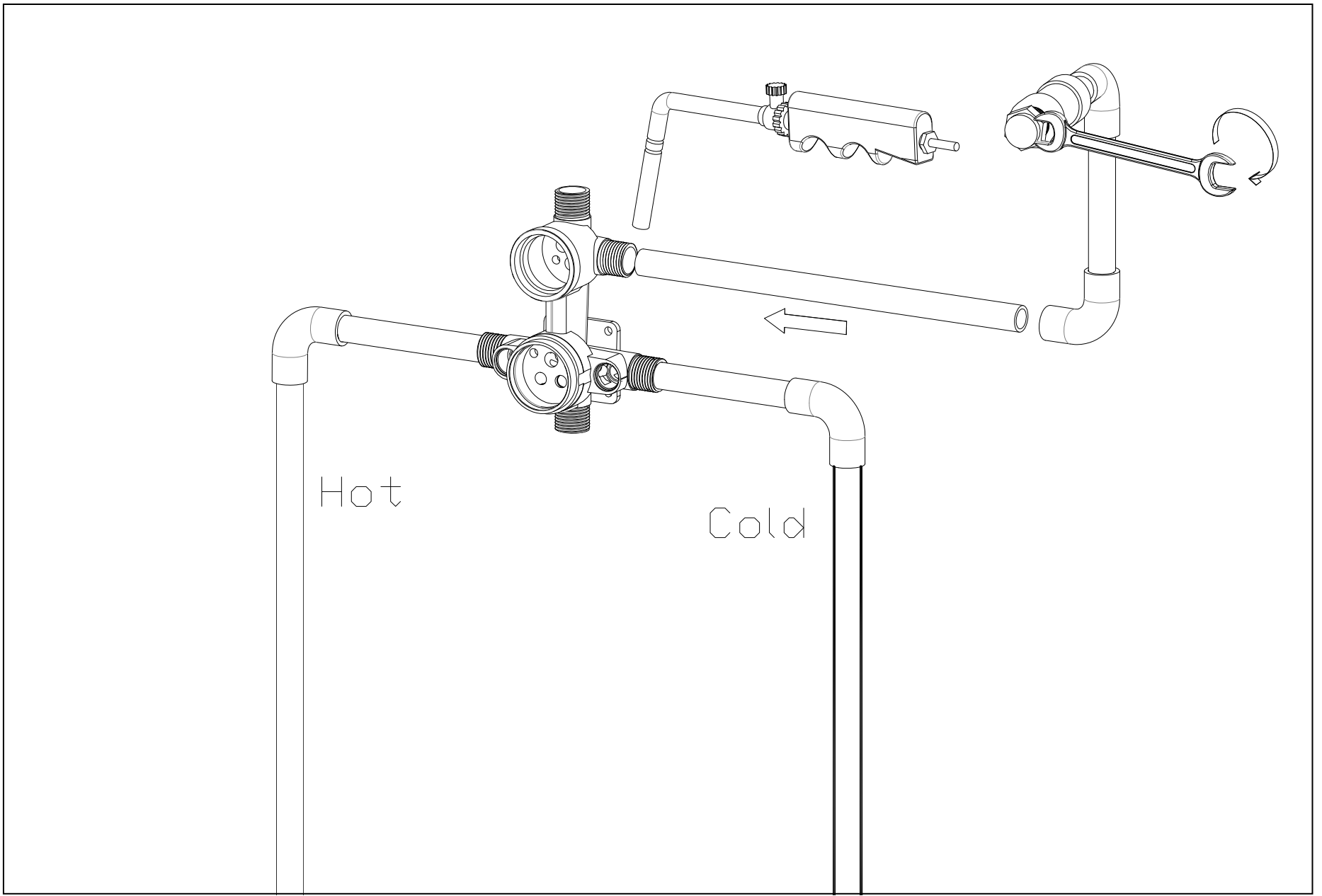
We take copper tubing as example:

5.4.1(a) Remove the cartridge and check-in valve and reducing valve from valve body before soldering.

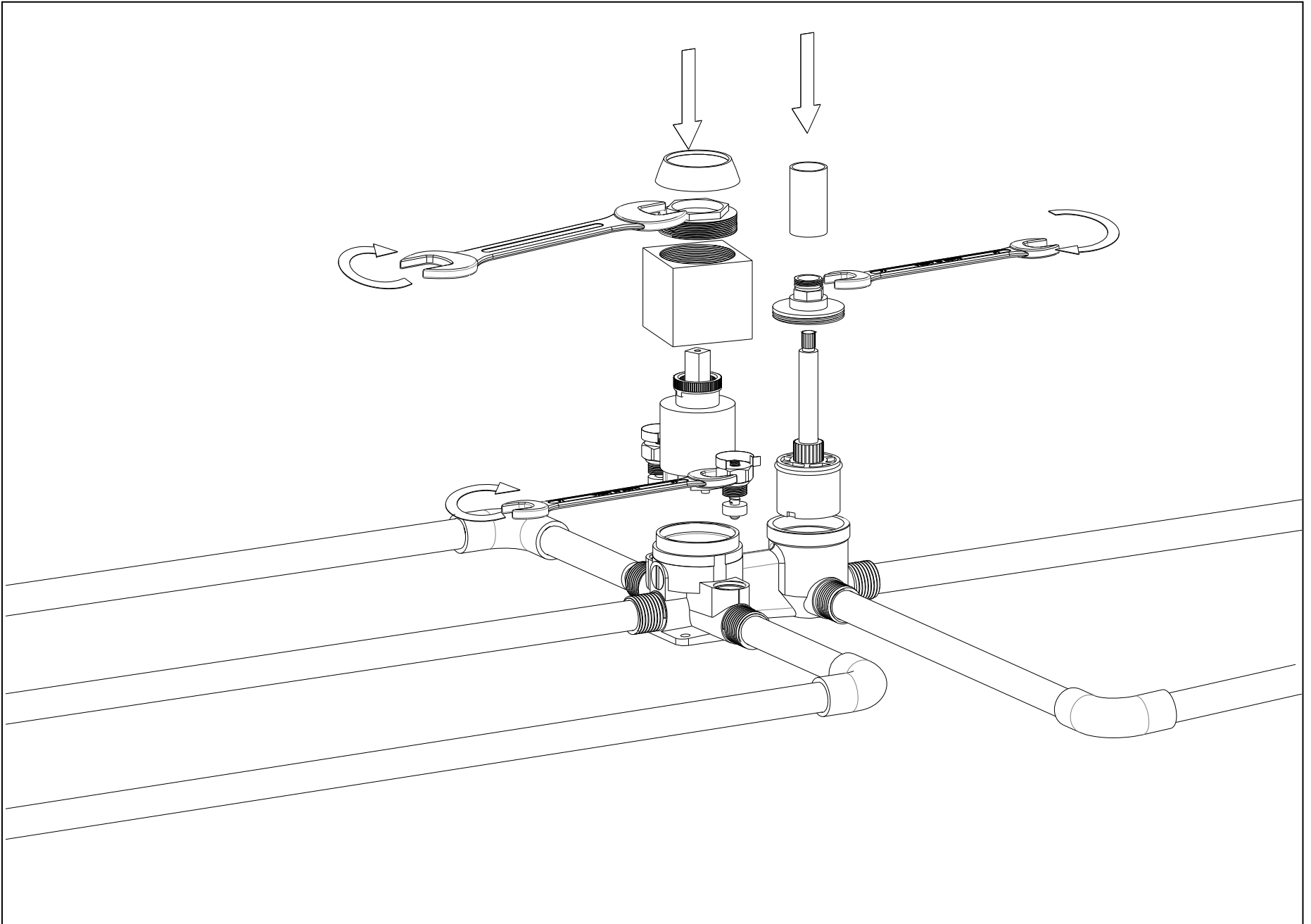


5.4.2(a) Soldering the copper tubing to valve body's hot water and cold water inlet and top shower outlet.

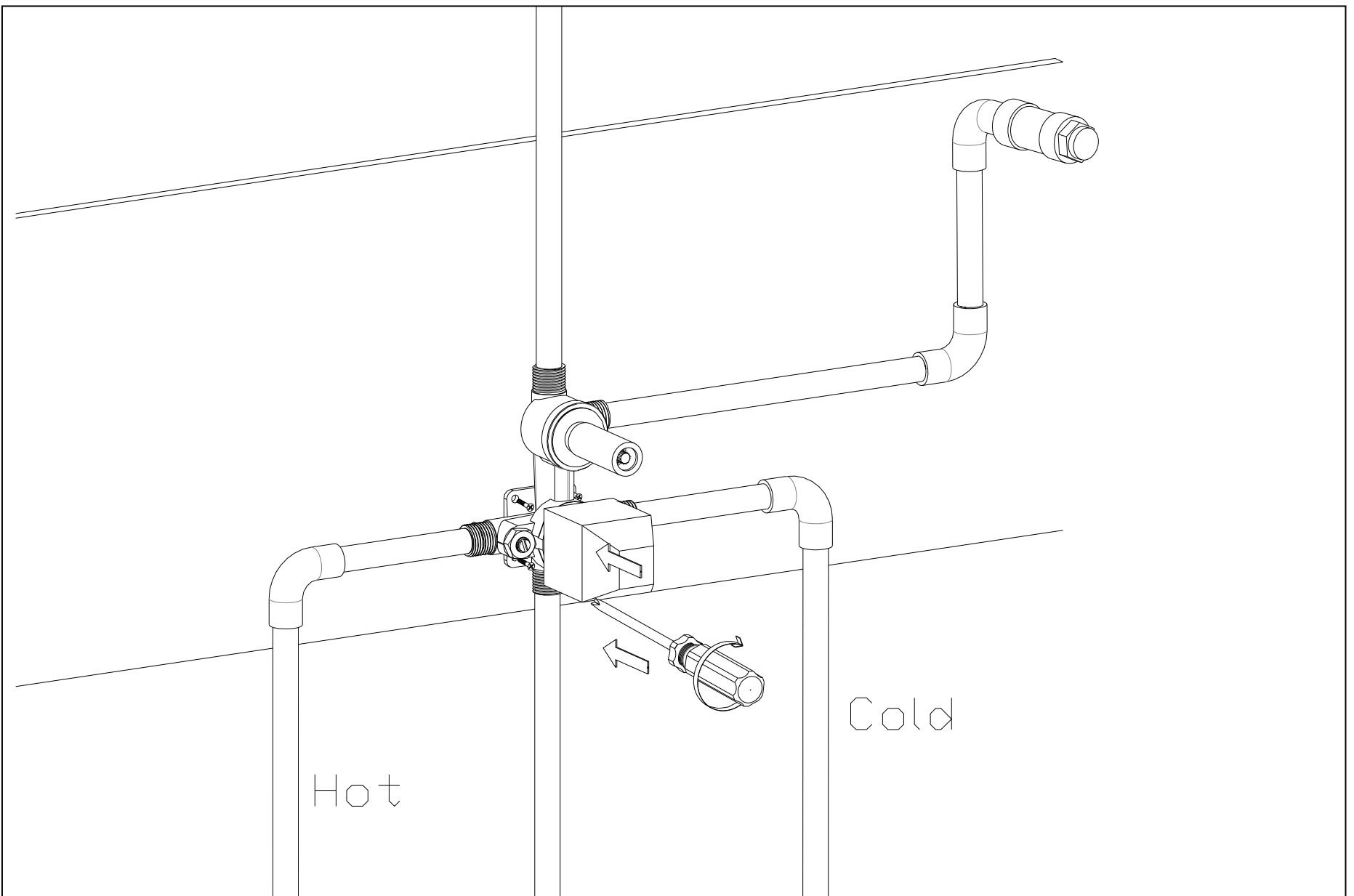




5.4.4(a) Reassemble the rough-in valve.



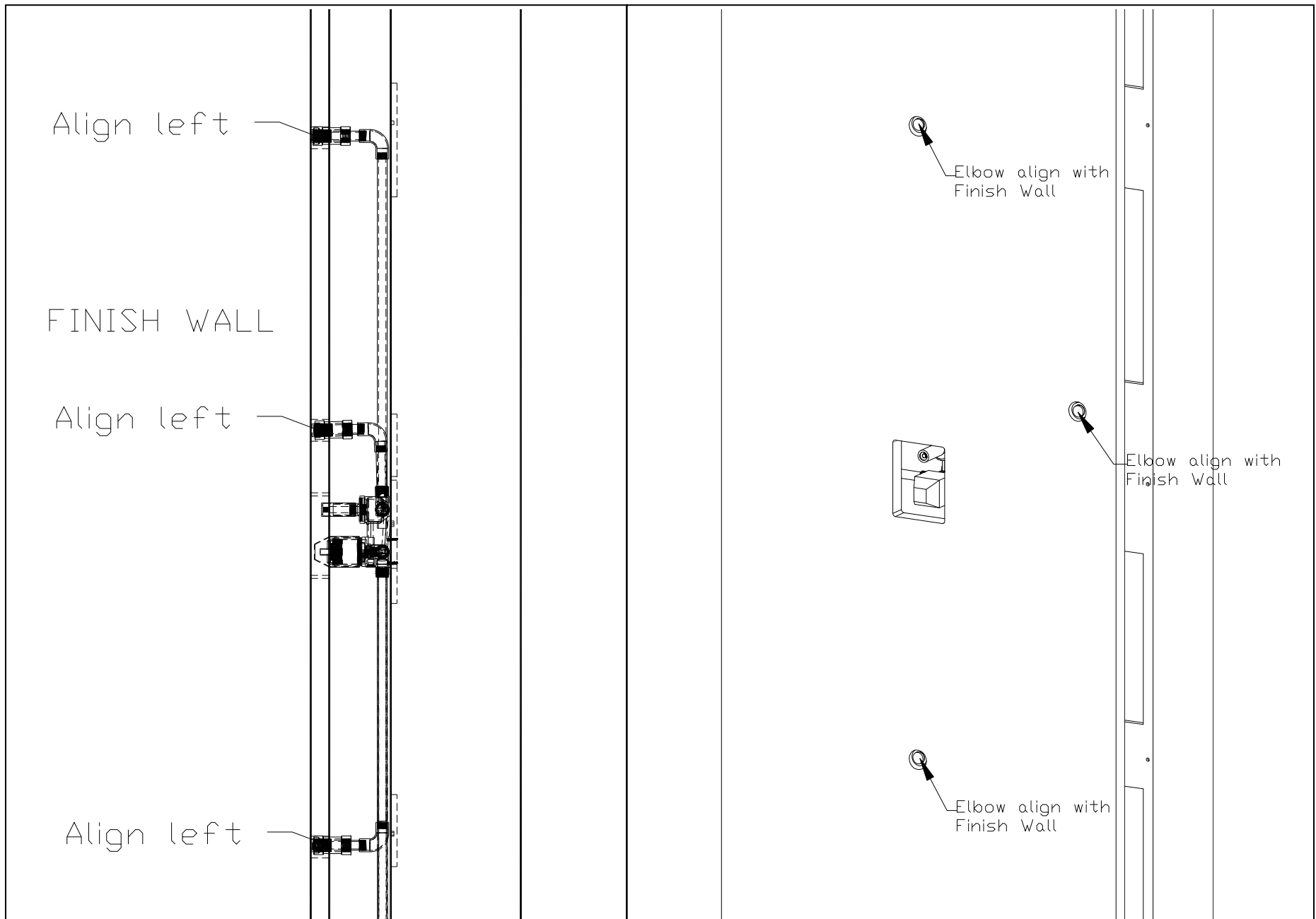
5.4.5 Locate and level the valve assembly and secure to the mounting bracket with screws and anchor.



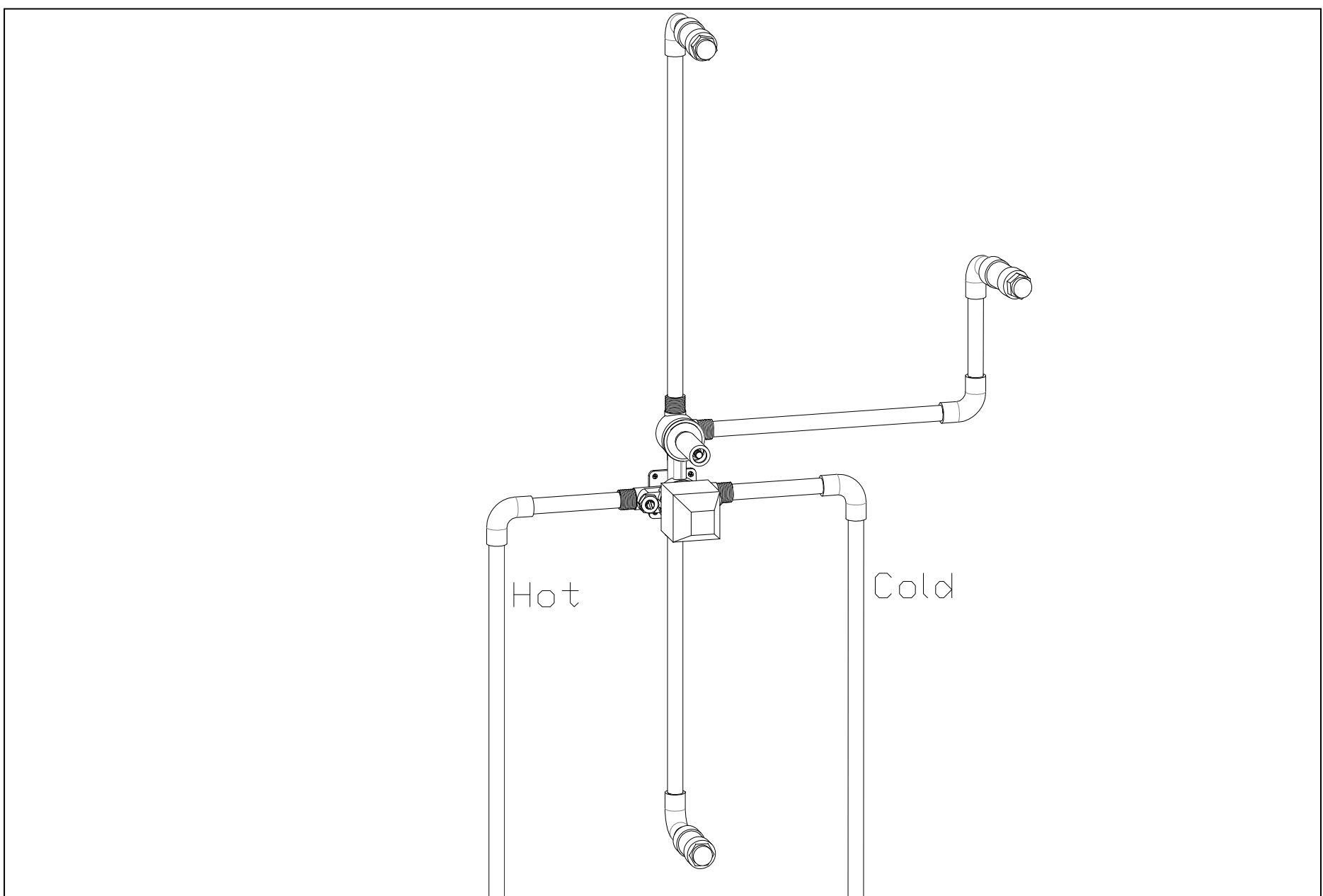
Please align the elbow front face with the finish wall.



Improper elbow installation depth will lead to leak from connector or has to customize extension parts with extra expense.



5.4.7 Rough-in valve installed finished.

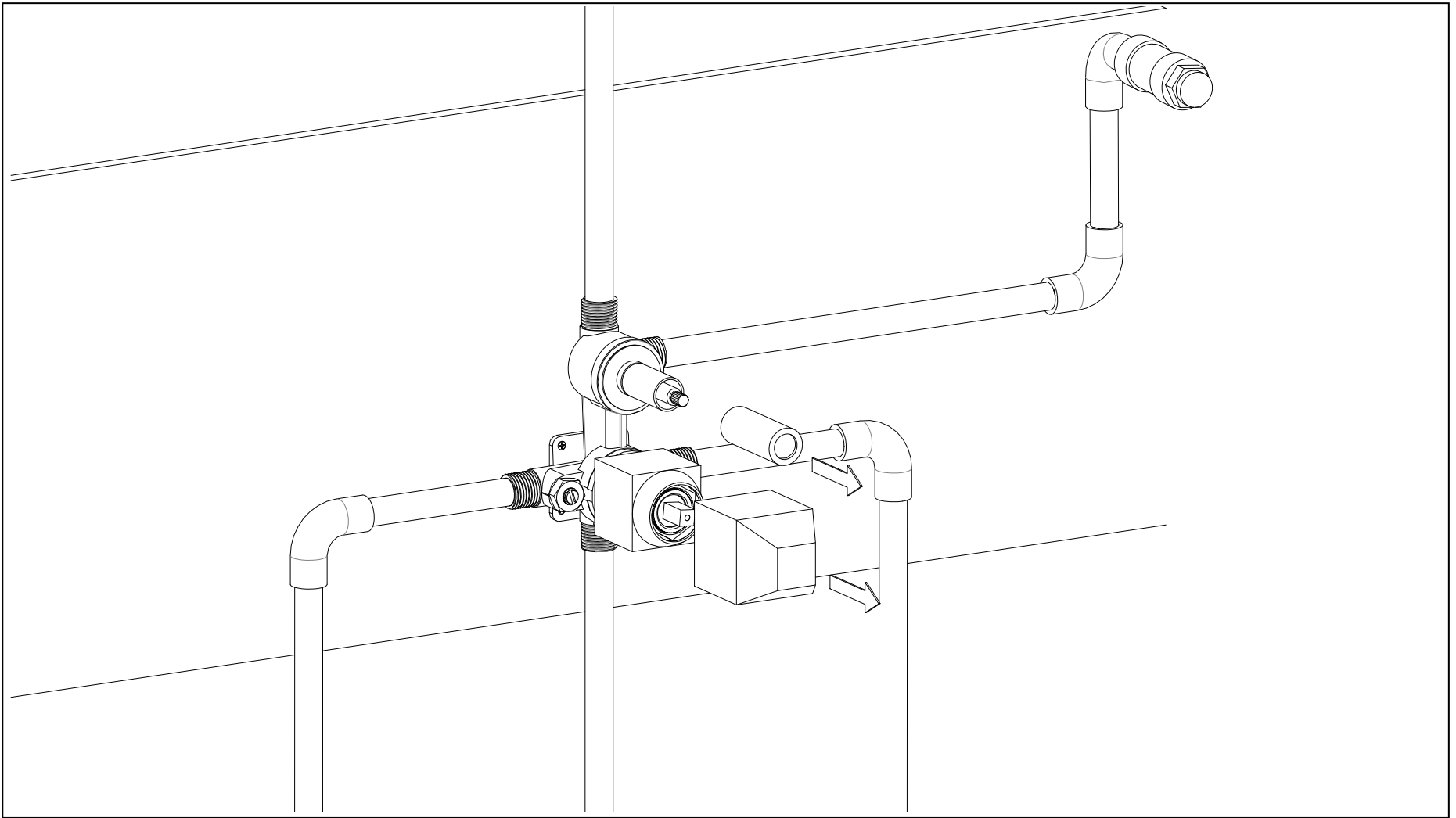


6. VALVE TRIM INSTALLATION

6.1 Remove the plaster guard cover and check all connection for leaks. Please recover the plaster guard cover after leaking test.



Please shut off your hot and cold water supply again if no leaking.



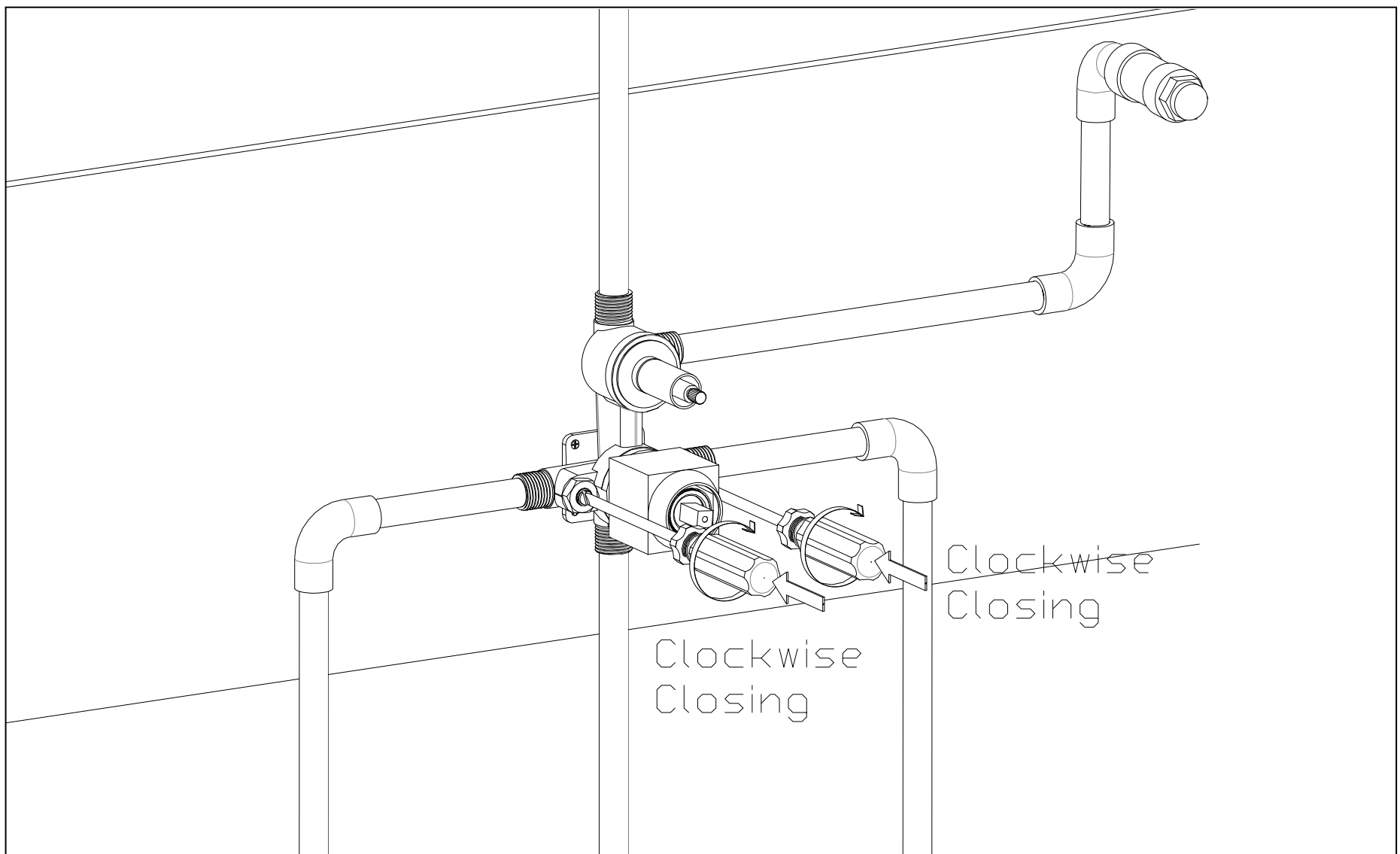
6.2 Pressure testing & flushing the installation.

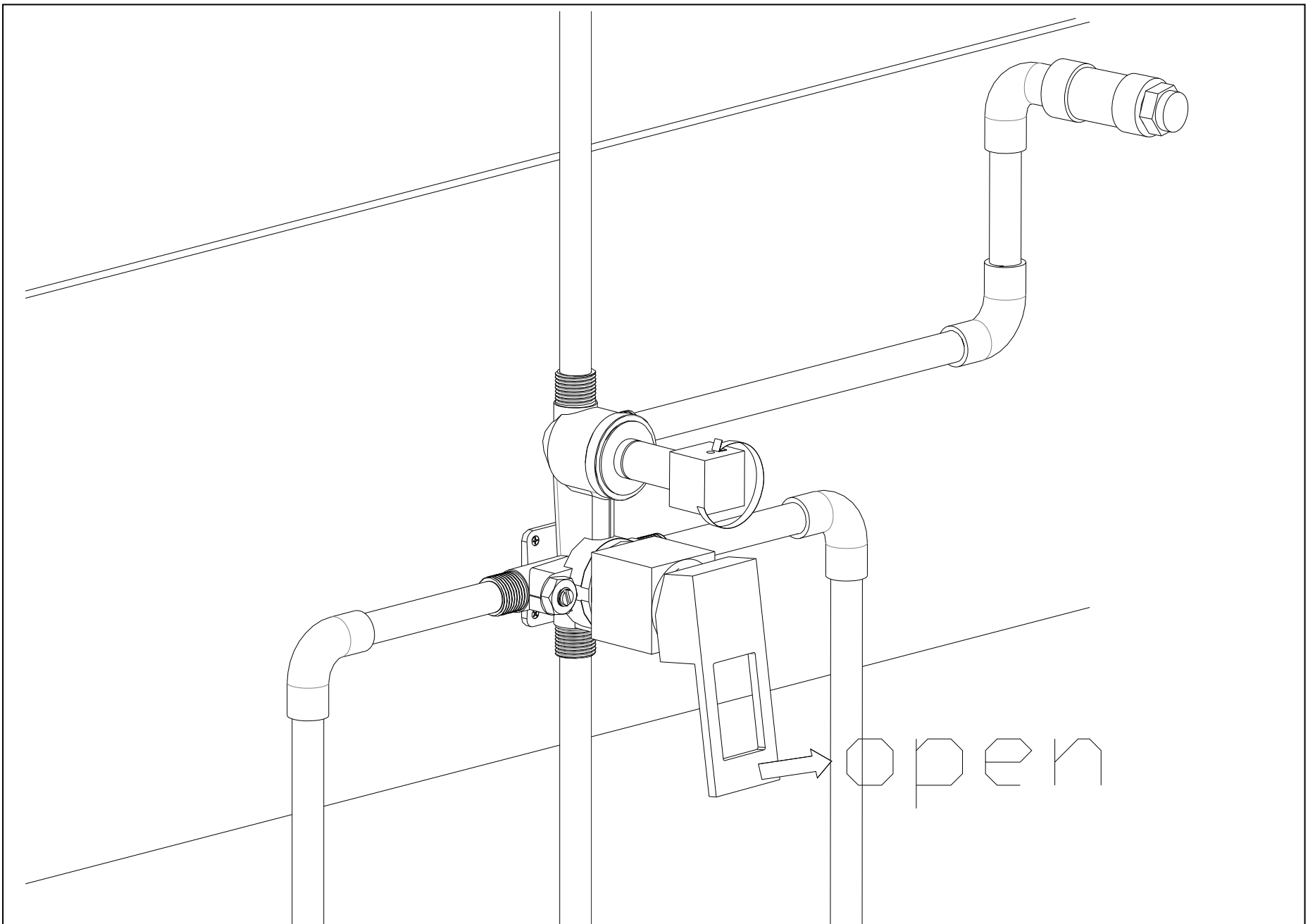
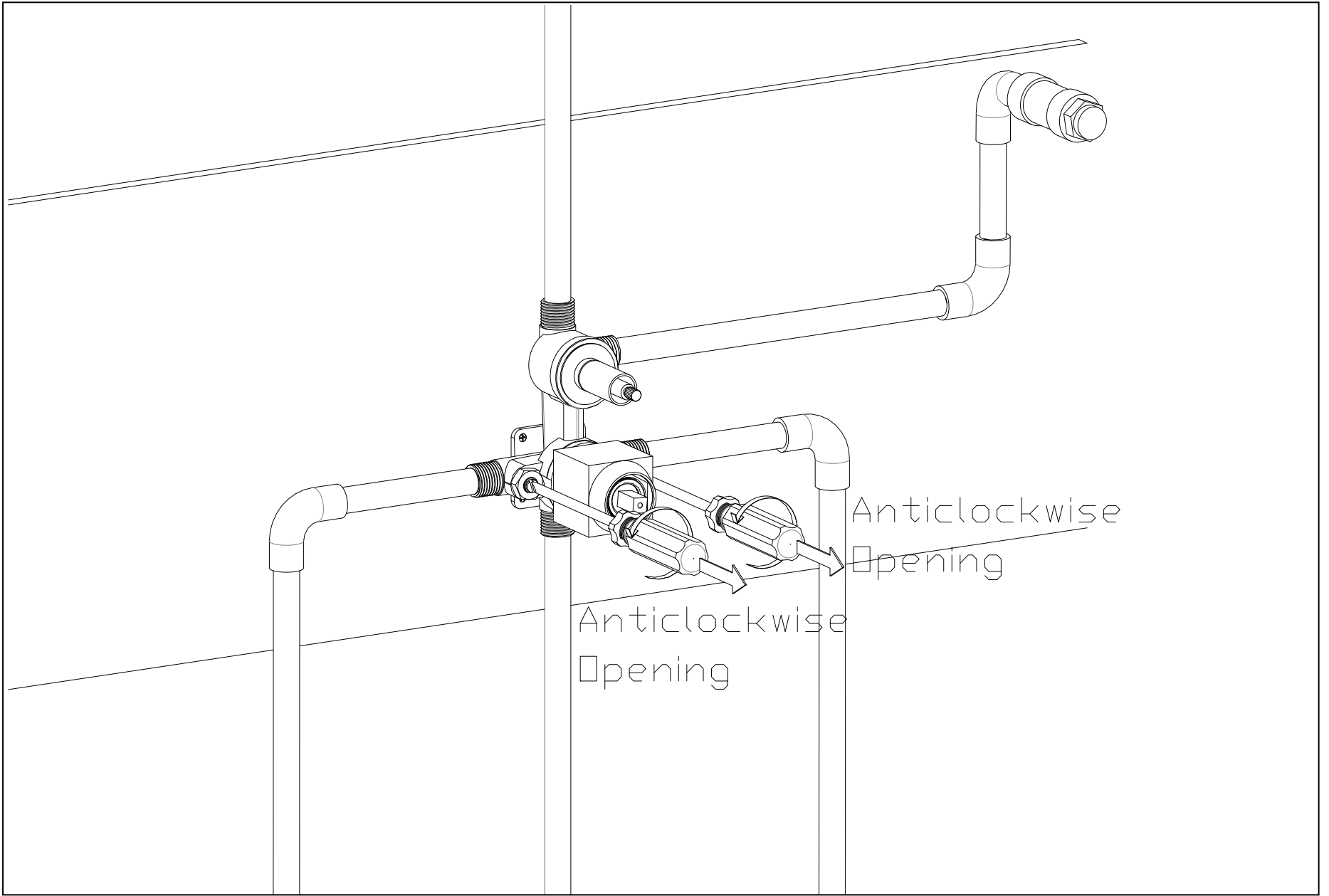
Before testing, remove plaster guard cover. Plug outlets with proper fittings. Check for leaks. After testing, remove shower's plug and flush system again. After flushing reinstall the cover. Set the pressure reducing valve to full open.

Note: With a flat head screwdriver, adjust stem clockwise to close and anticlockwise to open.

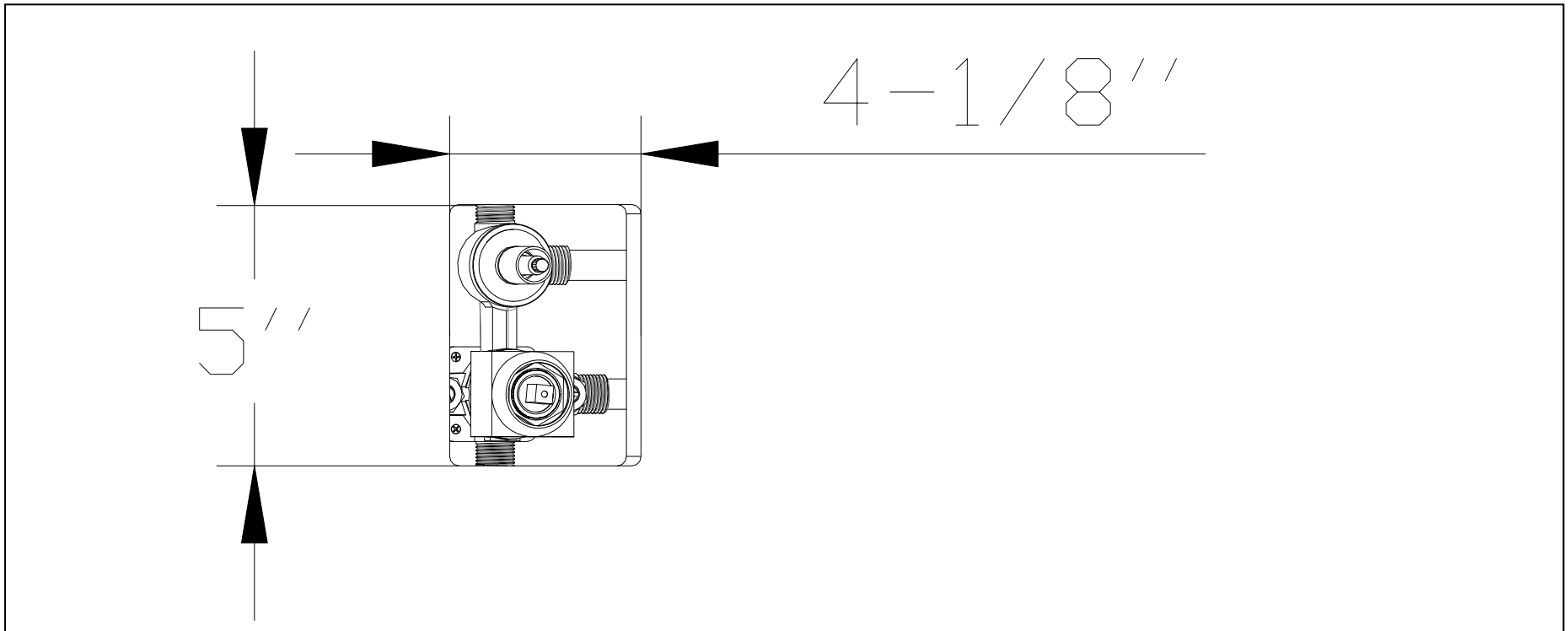


Please shut off your hot and cold water supply again after test.

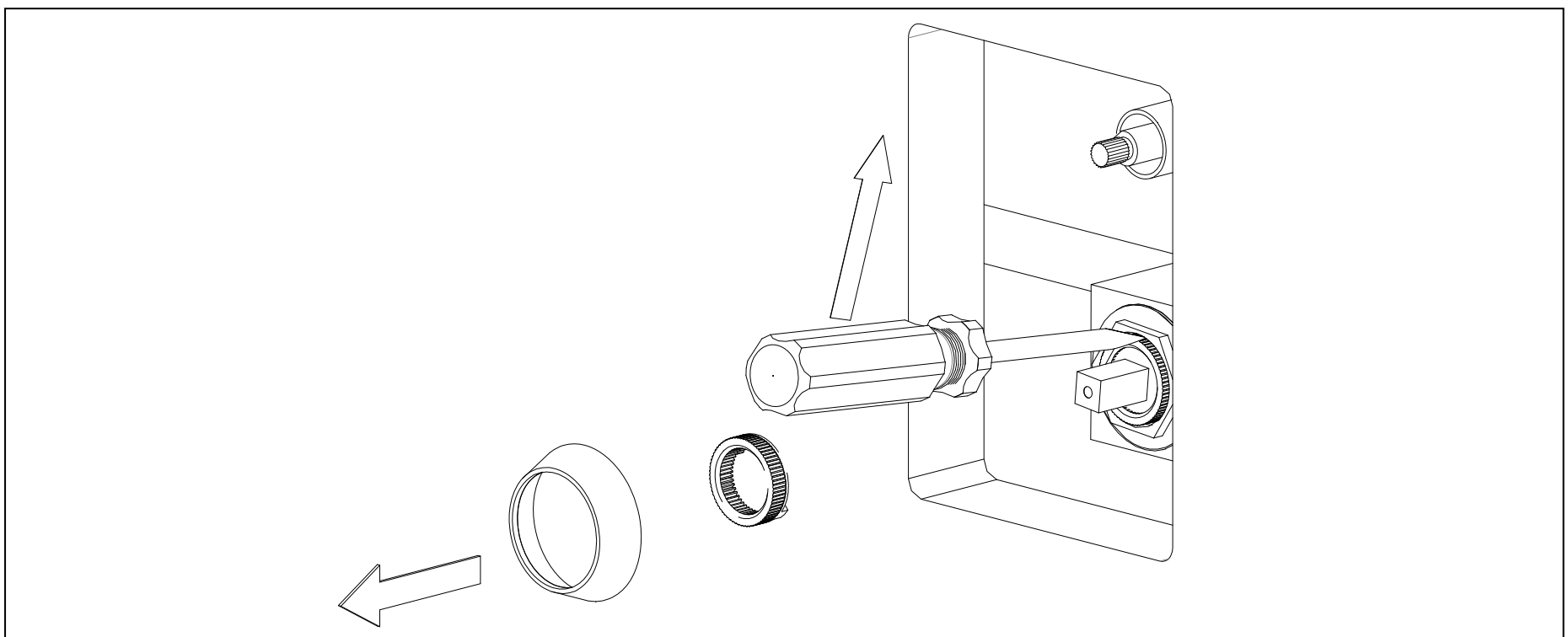




6.3 Done the finish wall and drill proper window for maintain if needs in the future.



6.4 Take off the escutcheon and the temperature limit ring from the valve assembly.



6.5 Turn on and adjust the cartridge to achieve desired shower water's maximum temperature.

Anti-scald protection. It is important that the mixer valve is tested regularly to prevent the risk of scalding and guarantee user safety. This can be carried out as follows: with the mixer blend temperature set at 38°C isolate the cold water supply. The outlet flow rate will reduce to a safe level.

Recommended outlet temperatures

We recommend the following set maximum mixed water outlet temperatures for use in all premises:

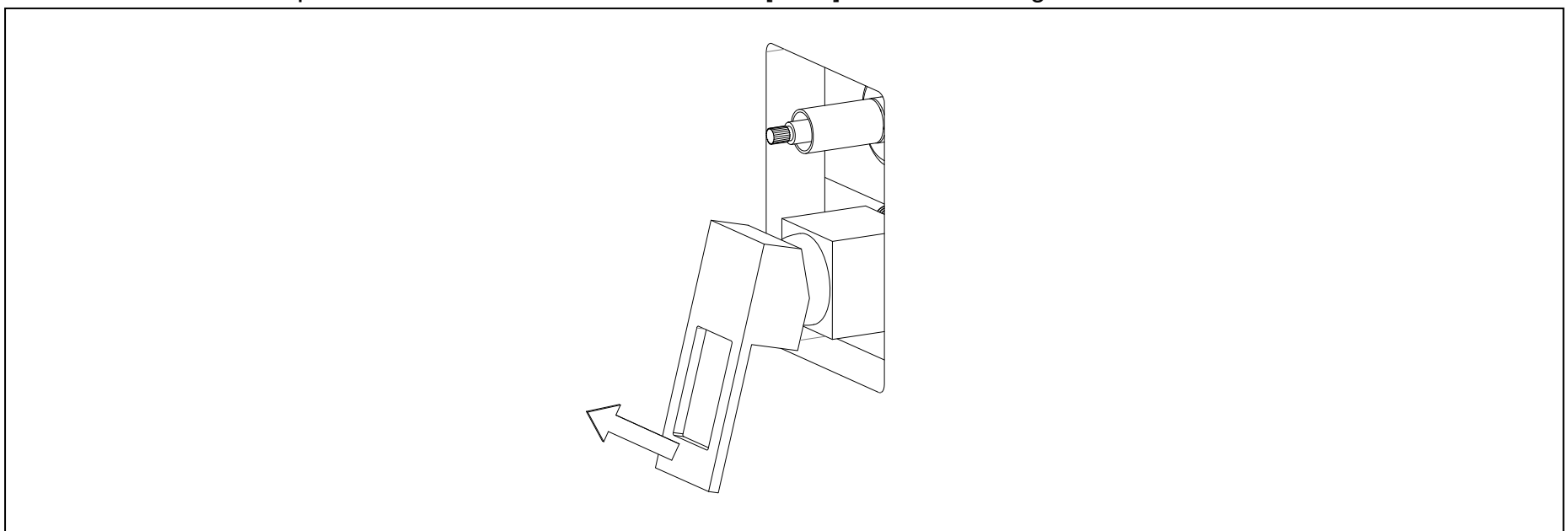
111.2° F [44°C] - for bath fill but see notes below.

105.8° F[41°C] - for showers.

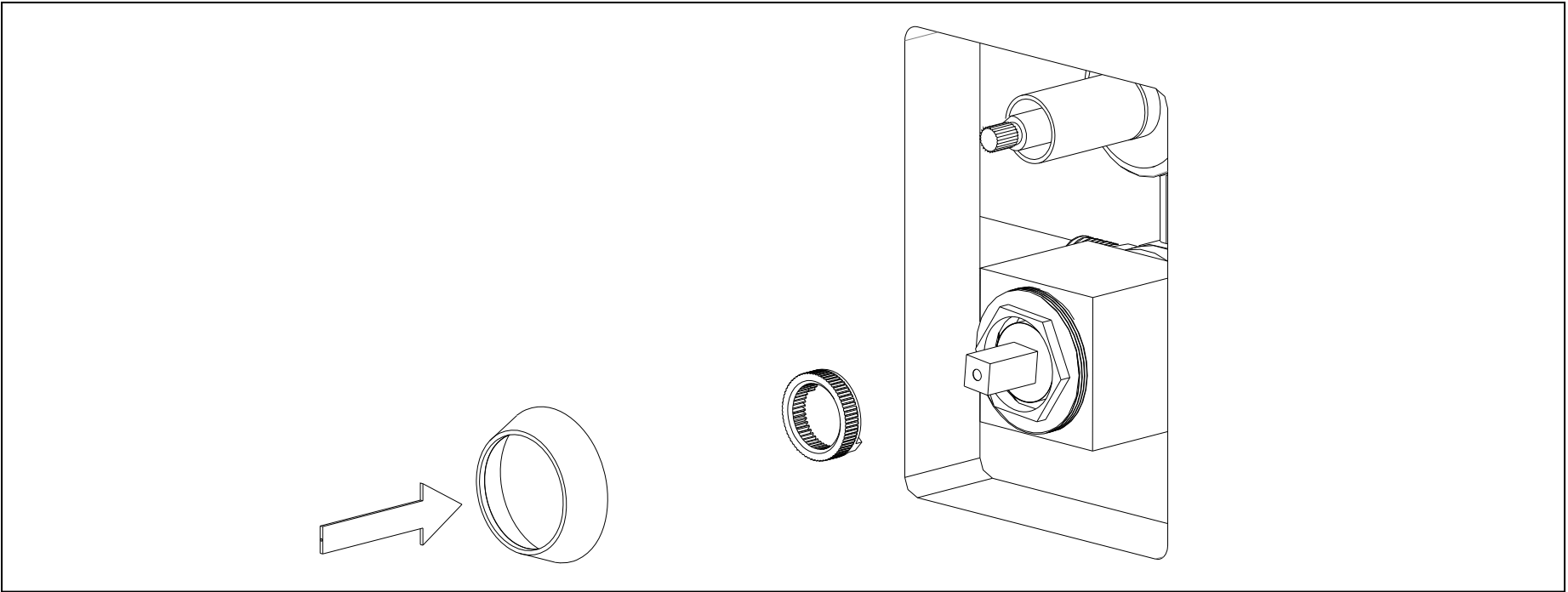
105.8° F[41°C] - for washbasins.

100.4° F[38°C] - for bidets.

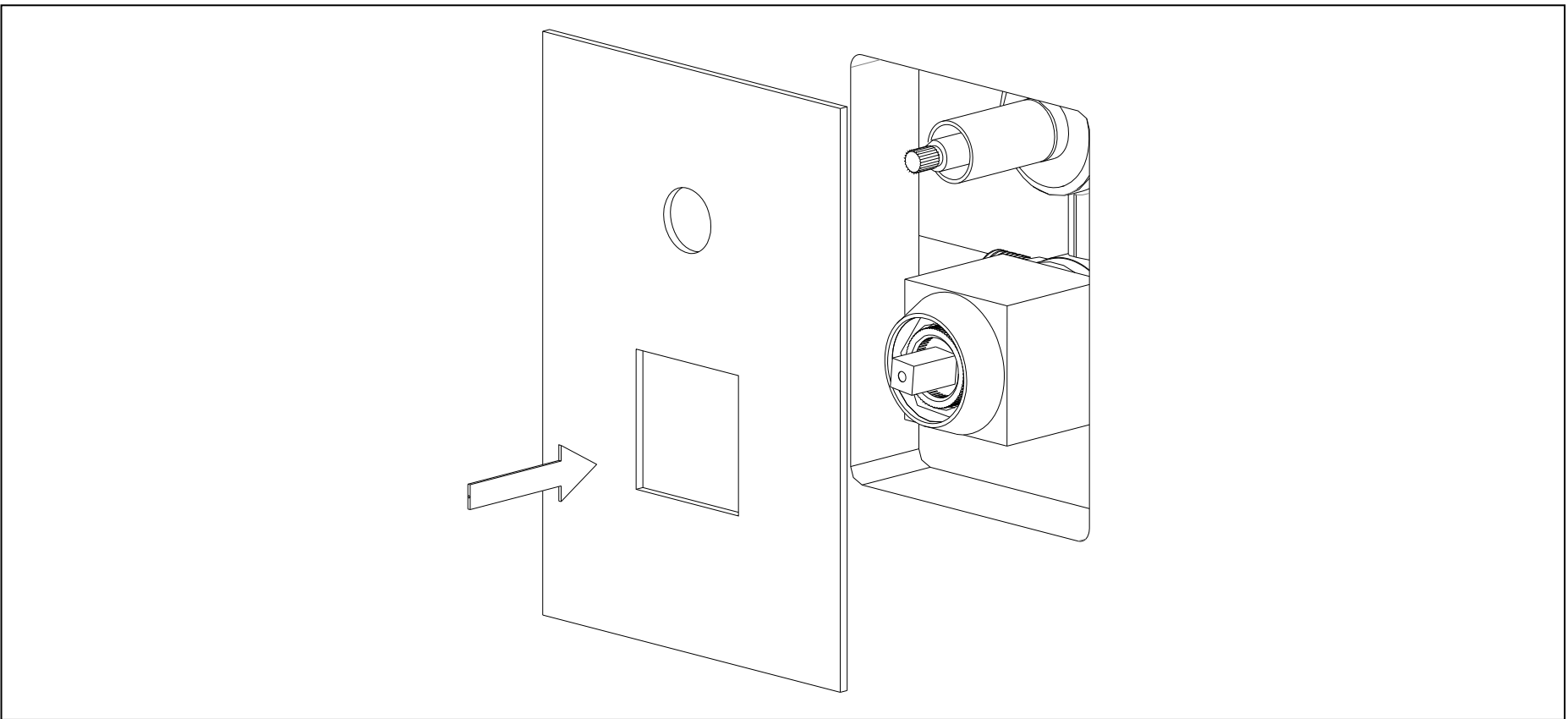
The mixed water temperatures must never exceed 114.8° F[46°C] at terminal fitting.



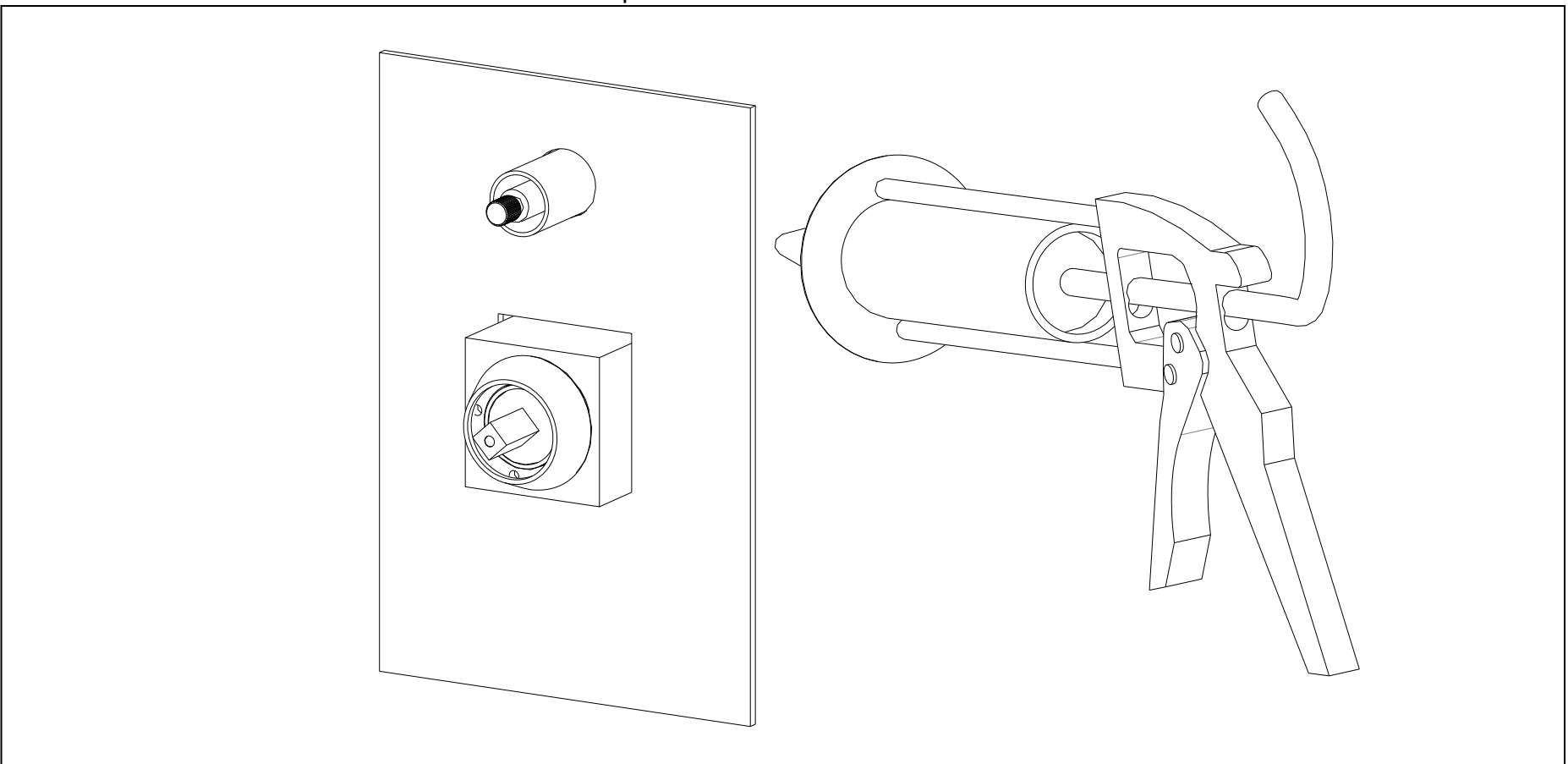
6.6 Attach the temperature limit ring to cartridge for locking the maximum temperature. Reinstall the escutcheon to the bonnet too



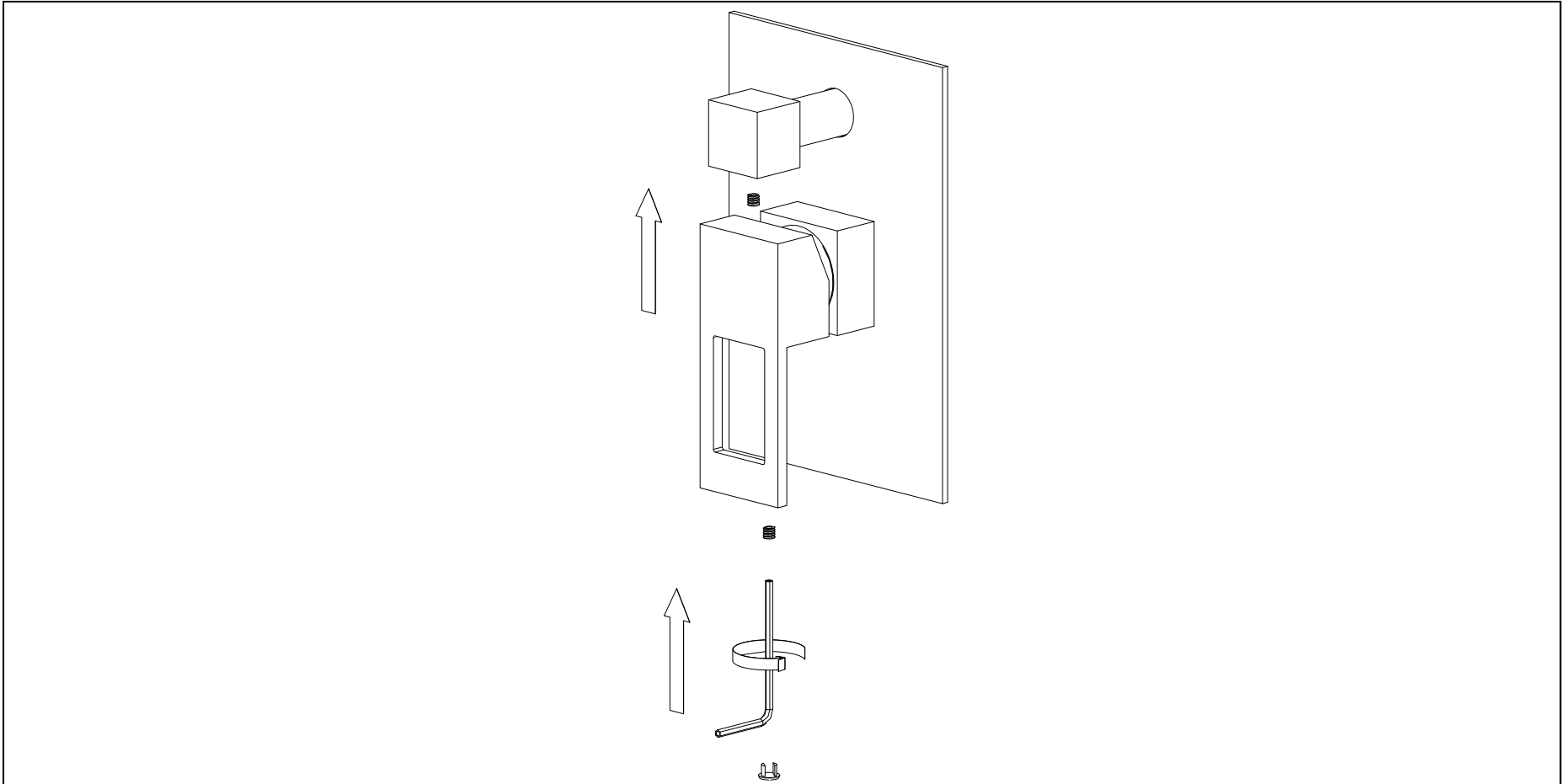
6.7 Attach the escutcheon over the valve body.



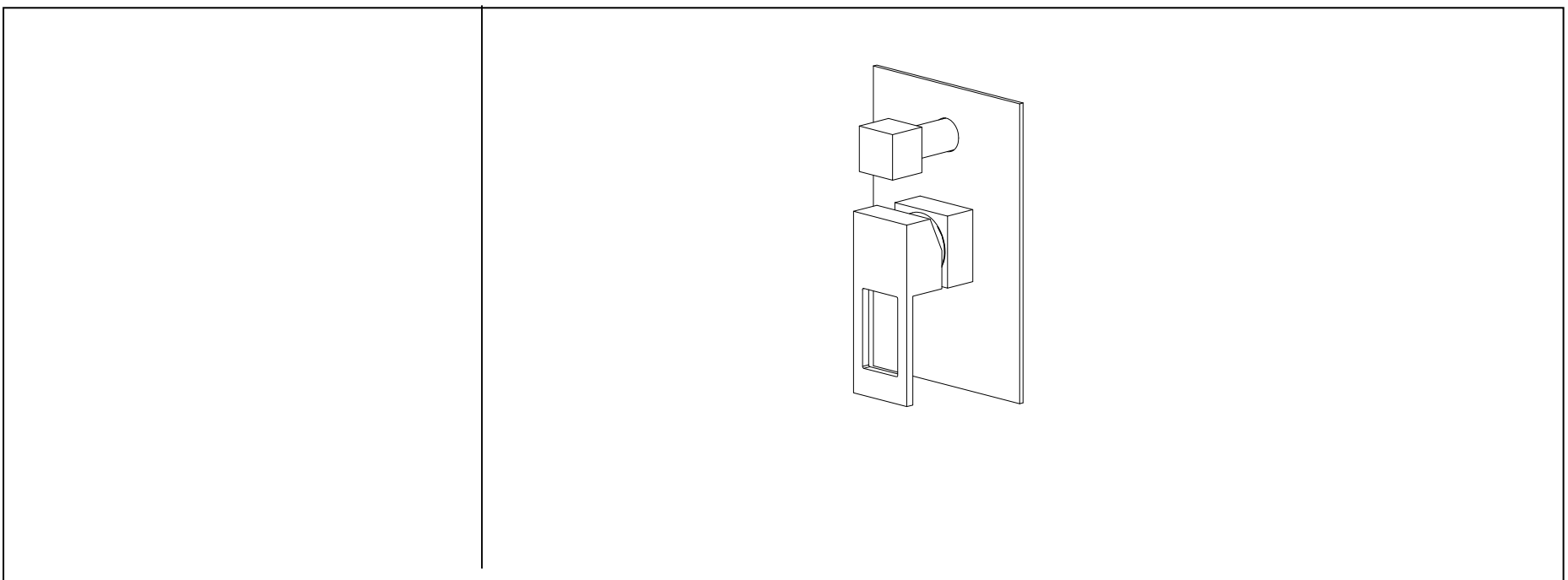
6.8 Seal the wall around the escutcheon with waterproof sealant.



6.9 Attach handle onto the valve stem and tighten set screws by the Allen wrench that is provided. Please don't over tighten. Finally press-in the screw cover.



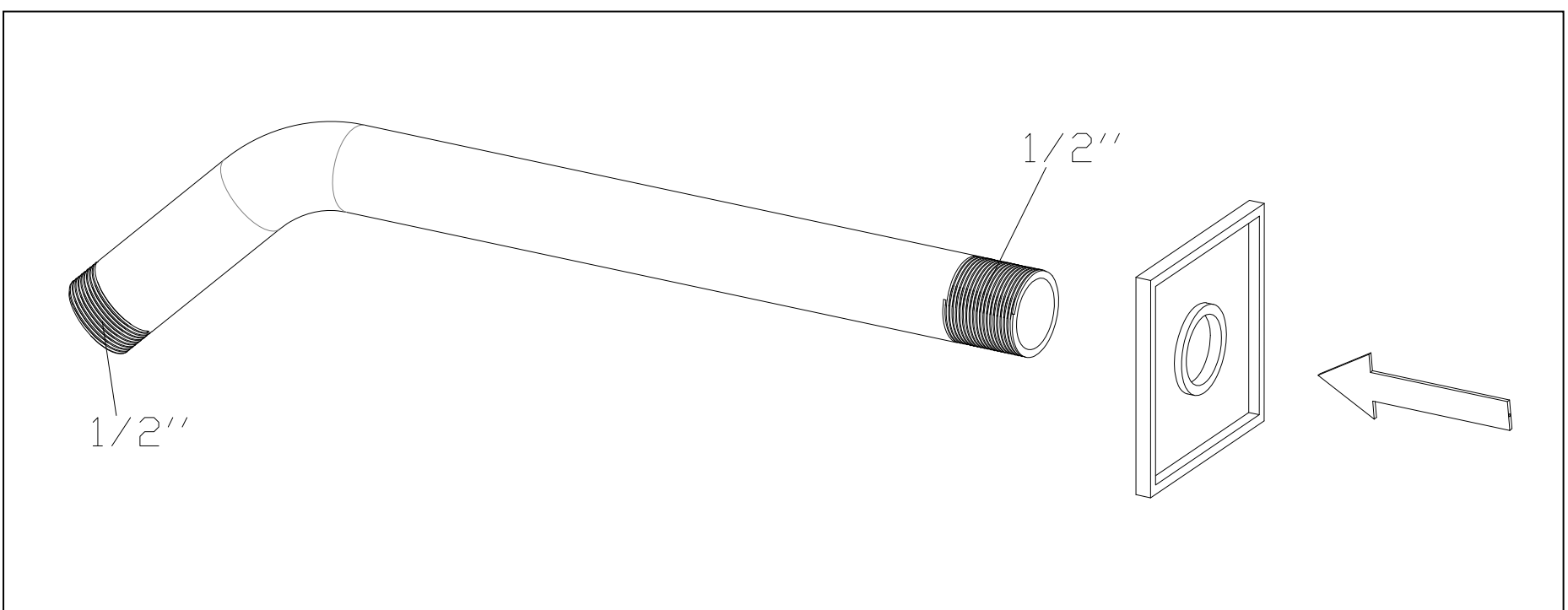
6.9 Valve trim install finish

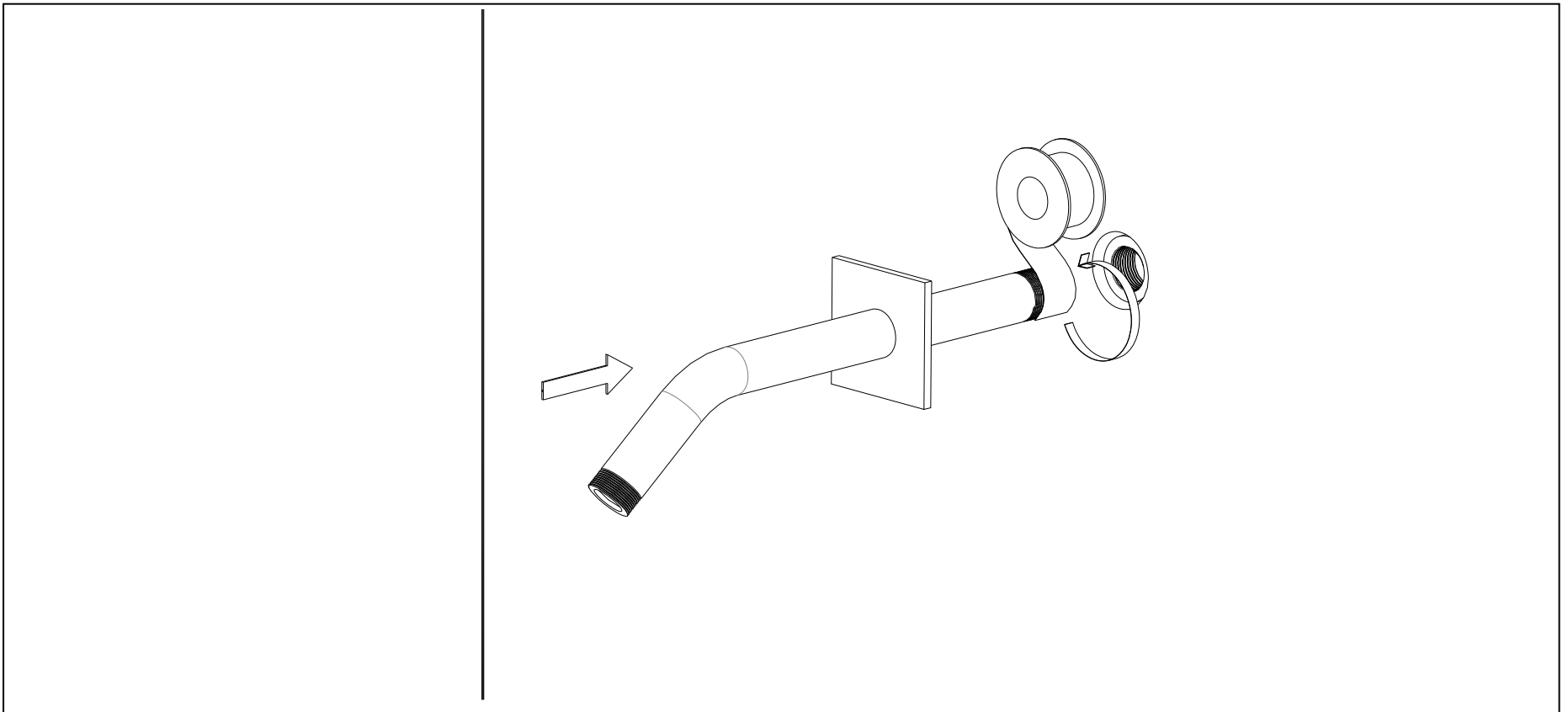


7. SHOWERHEAD INSTALLATION

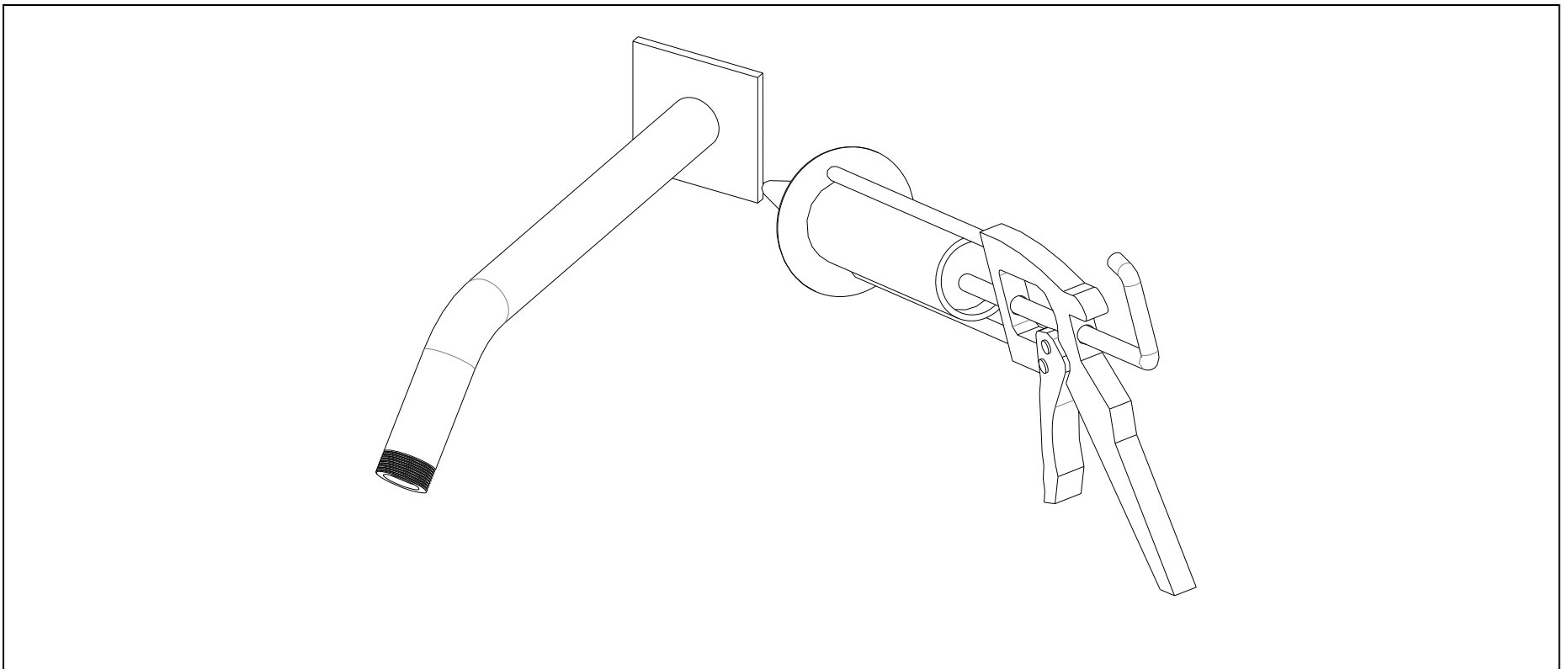
7.1 Attach Shower arm escutcheon to the shower arm and apply Teflon tape on the thread of shower arm, Secure the shower arm into the pipe elbow inside the wall by rotating clockwise.

Standard connect thread of Shower arm inlet: 1/2" NPT (US, CA)





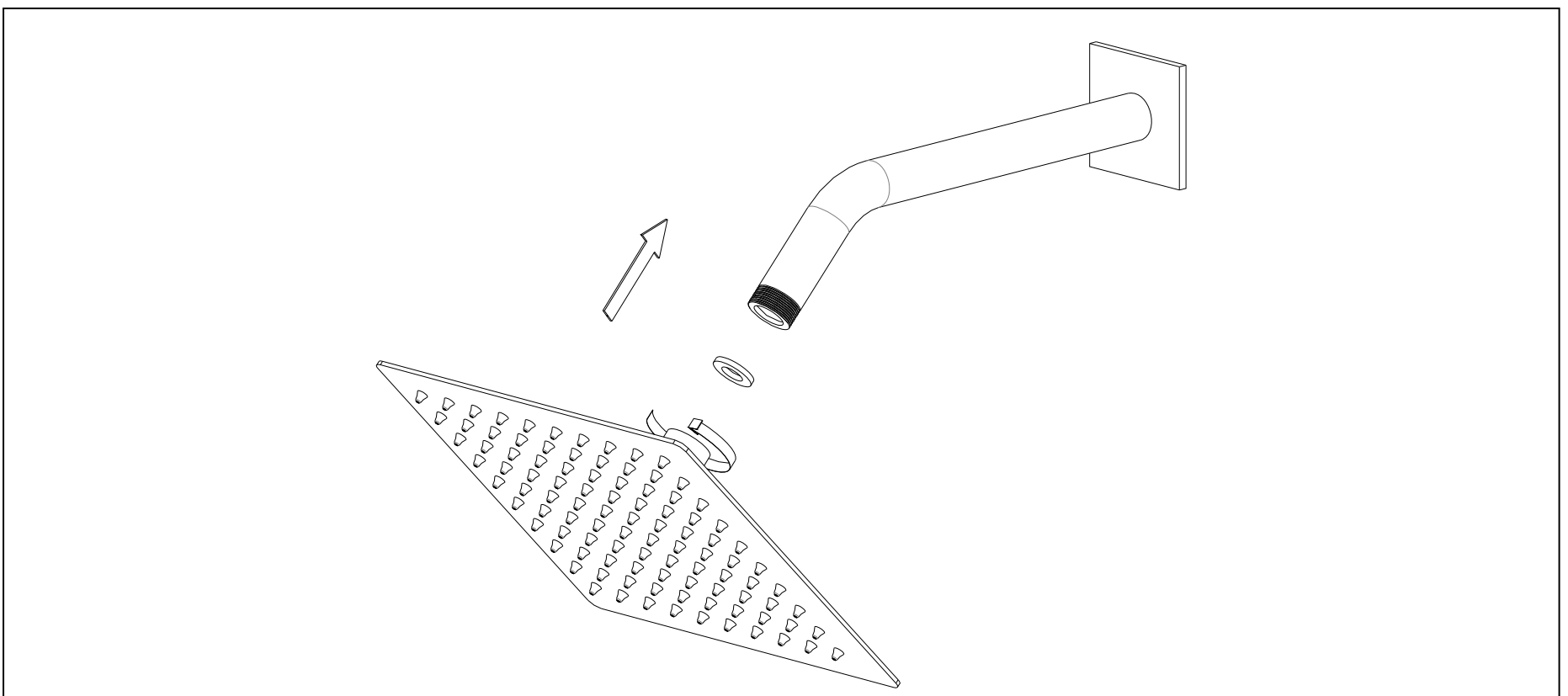
7.2 Seal the wall around the shower arm escutcheon with waterproof sealant

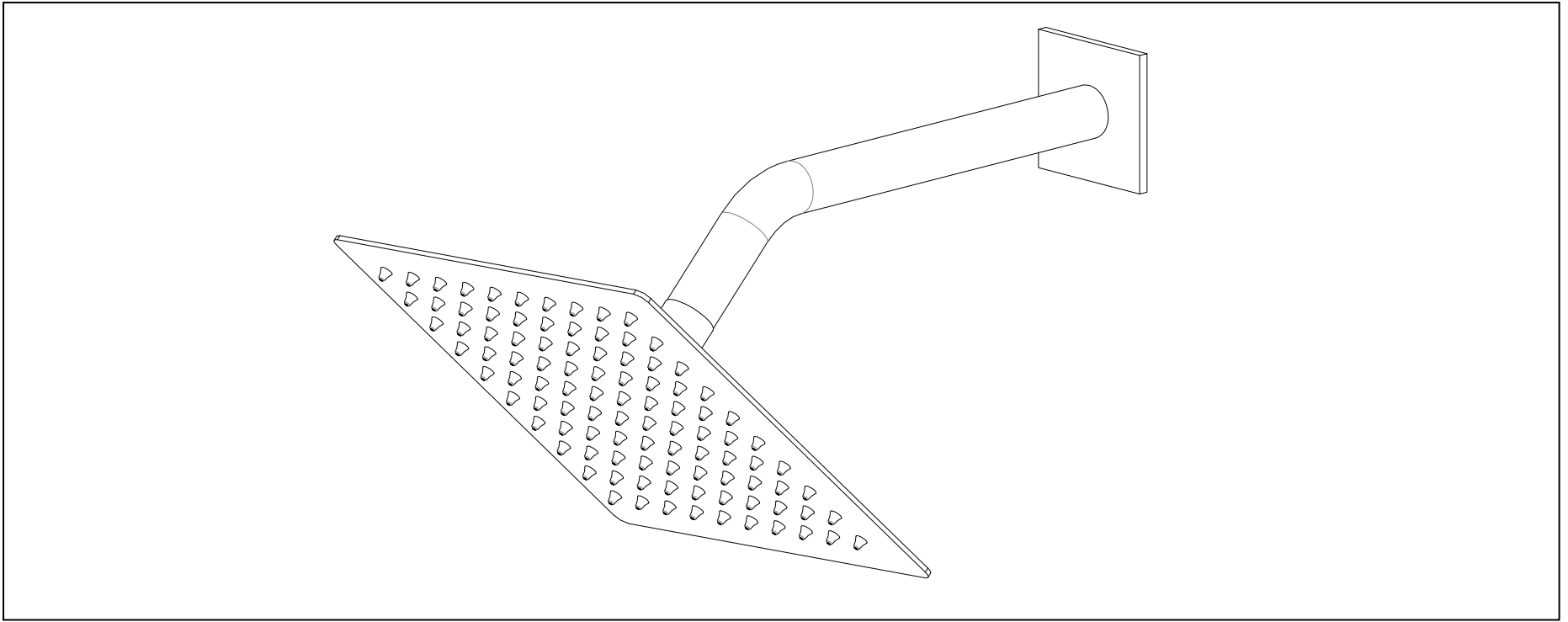


7.3 Put the screen washer into the connector of showerhead and secure the showerhead on the shower head arm by hand rotating clockwise.



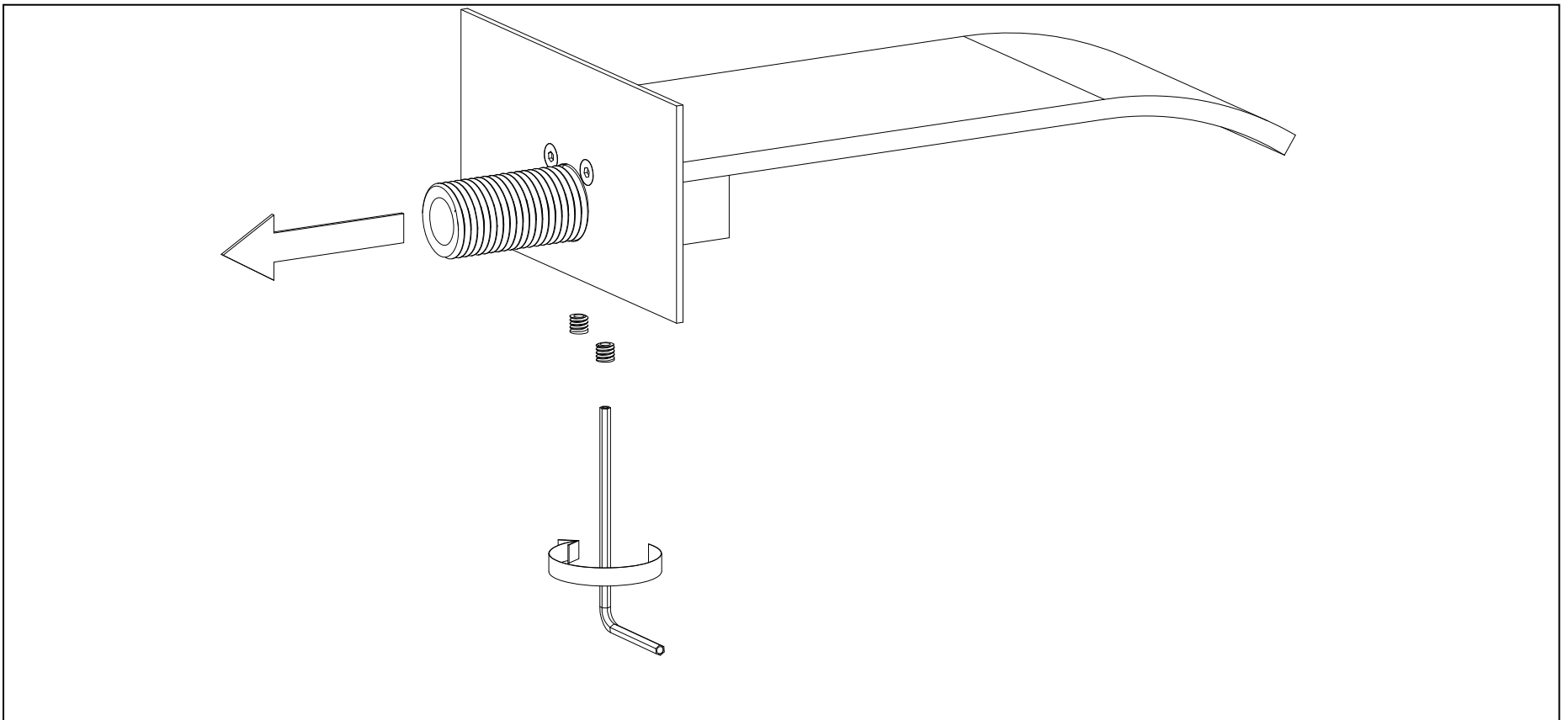
Missing the screen washer might lead to shower invalid.



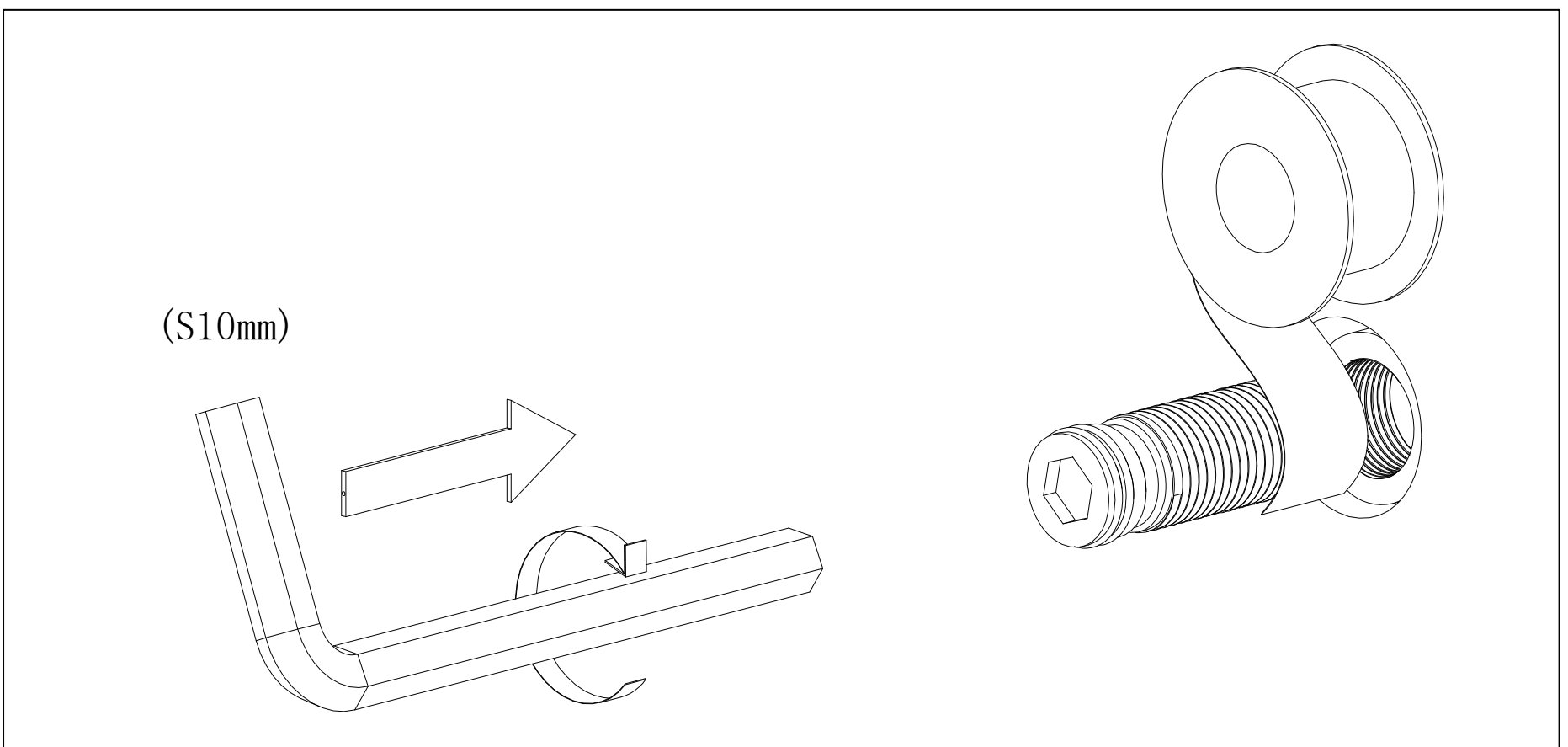


8. TUB SPOUT INSTALLATION

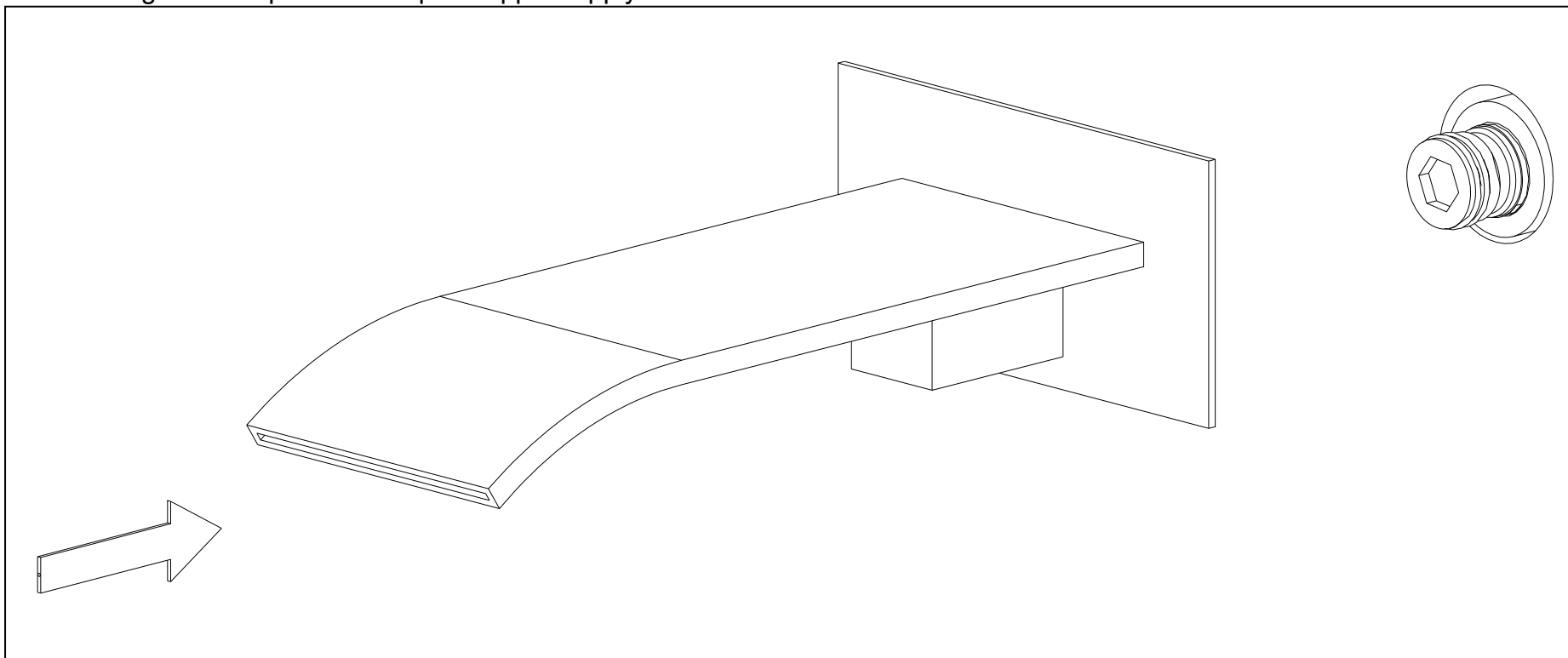
8.1 Loose the set screws by Allen key and remove the spout nipple assembly from tub spout assembly.



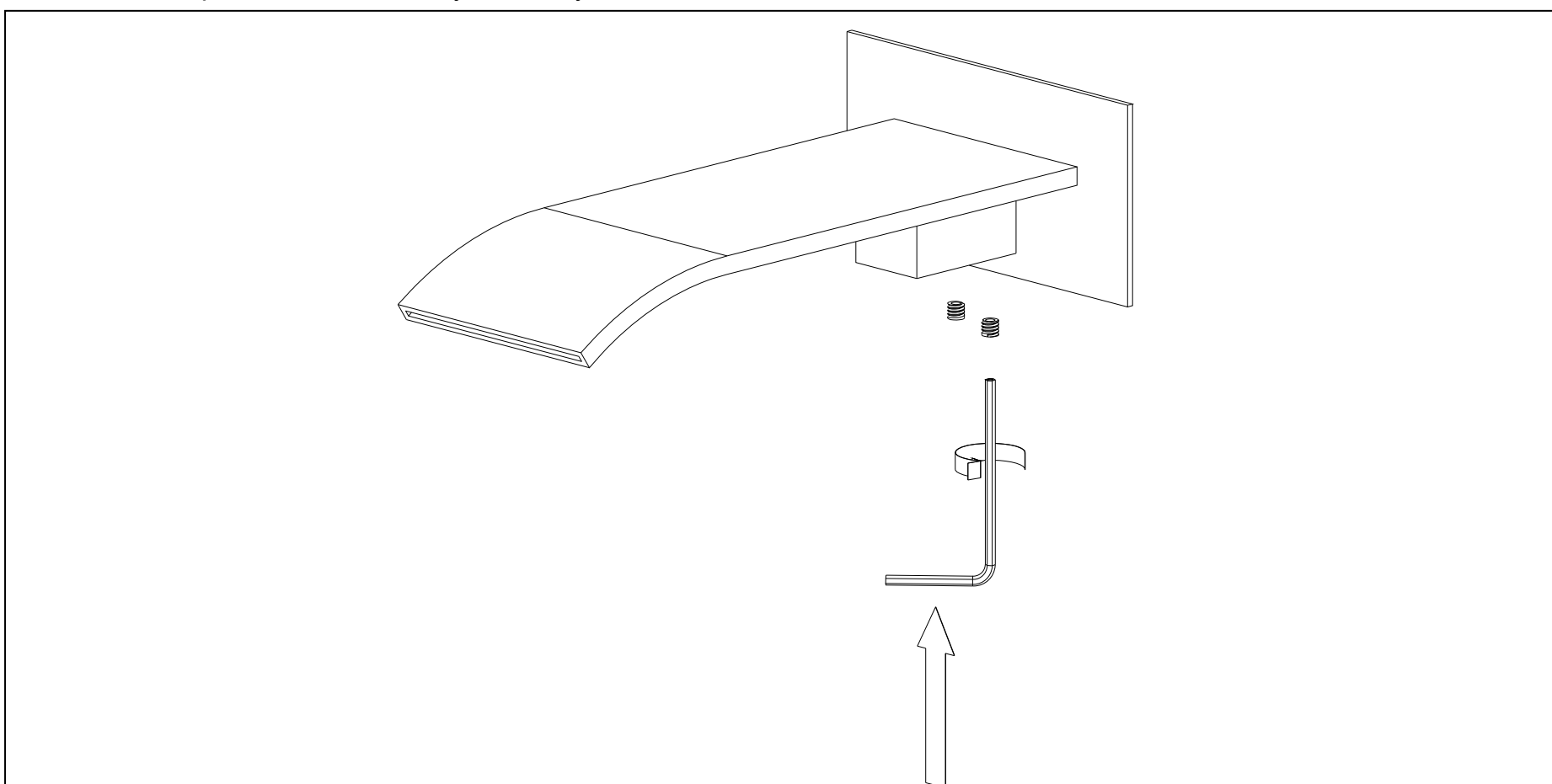
8.2 Apply Teflon tape on the thread of spout nipple supply and screw the thread into the pipe elbow inside the wall.



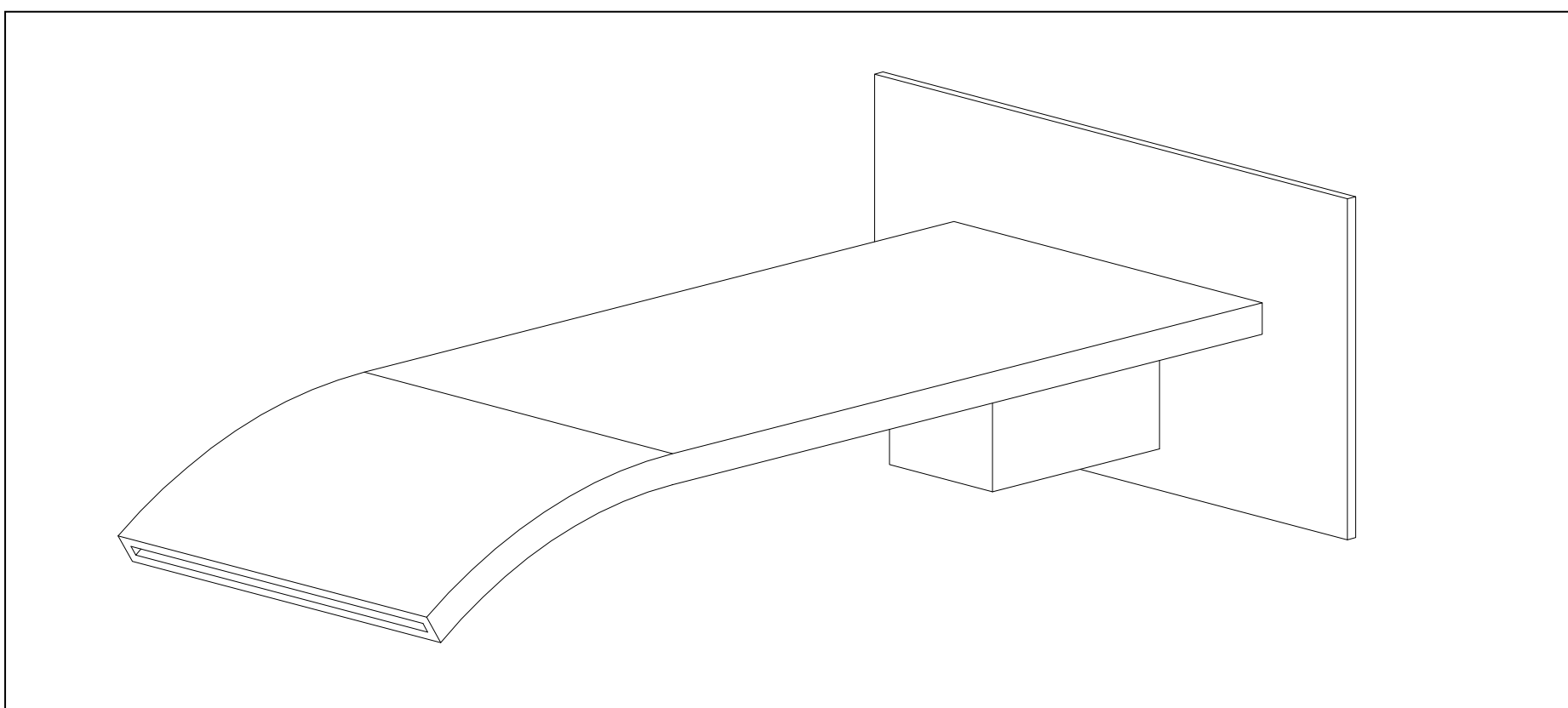
8.3. Docking the tub spout to the spout nipple supply.



8.4 Secure the spout with set screw by Allen Key.

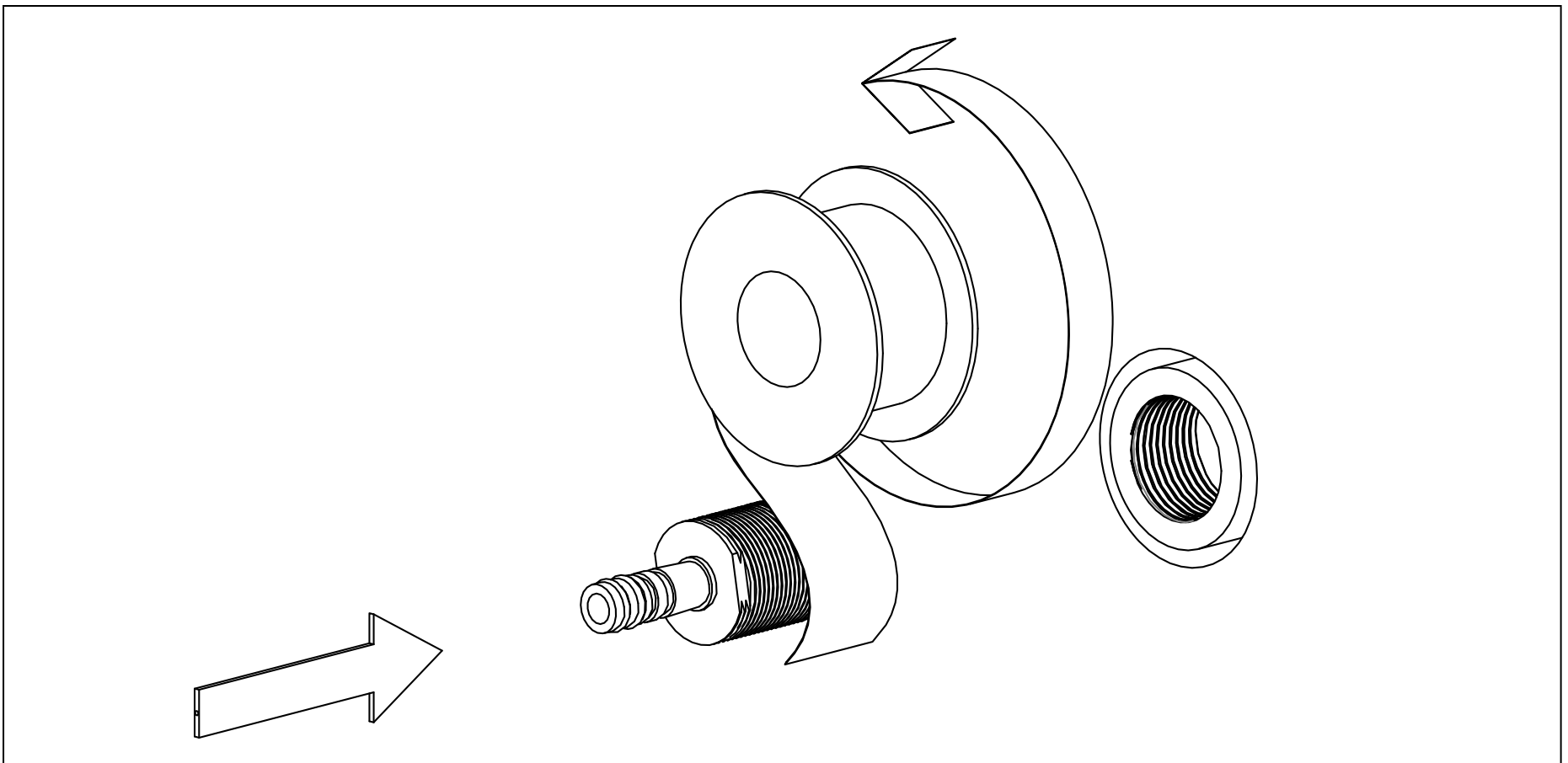


8.5 Install finish.

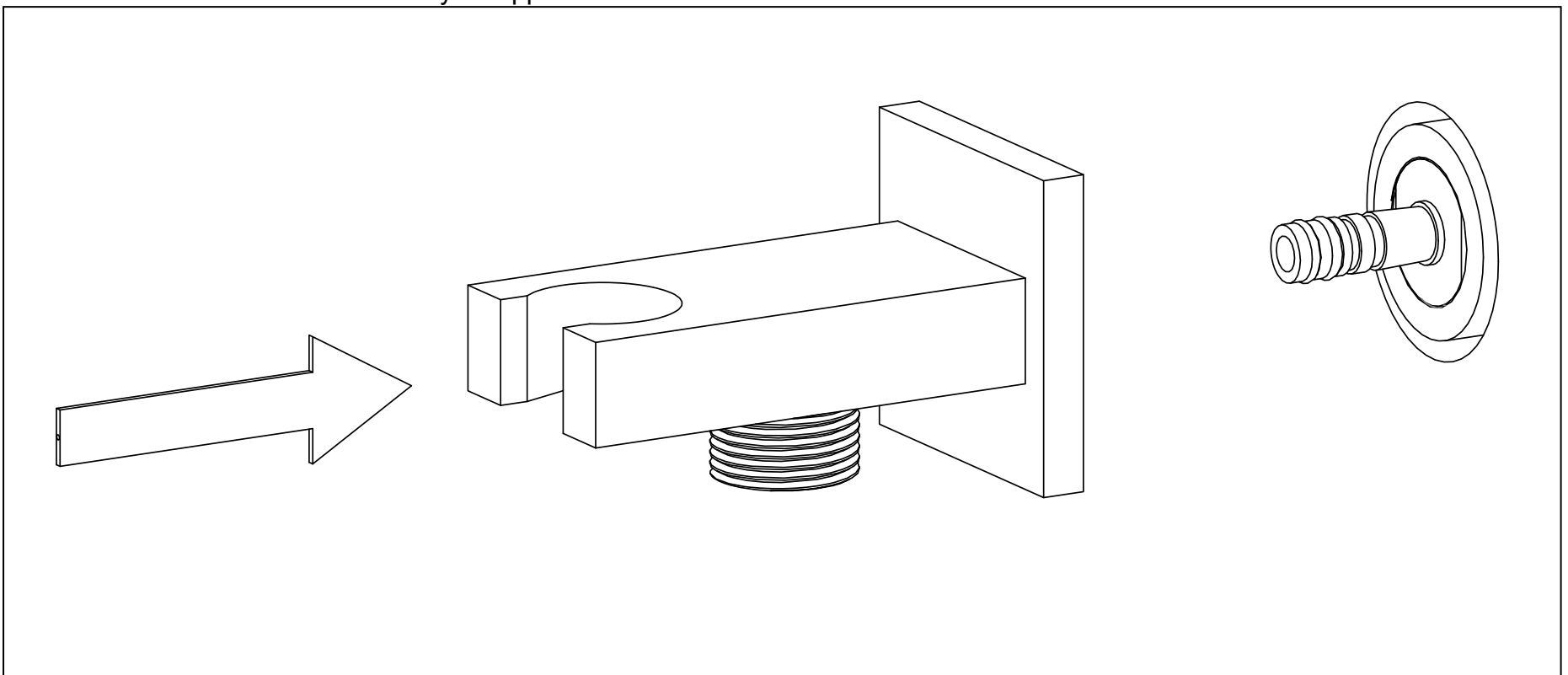


9. HAND SHOWER INSTALLATION

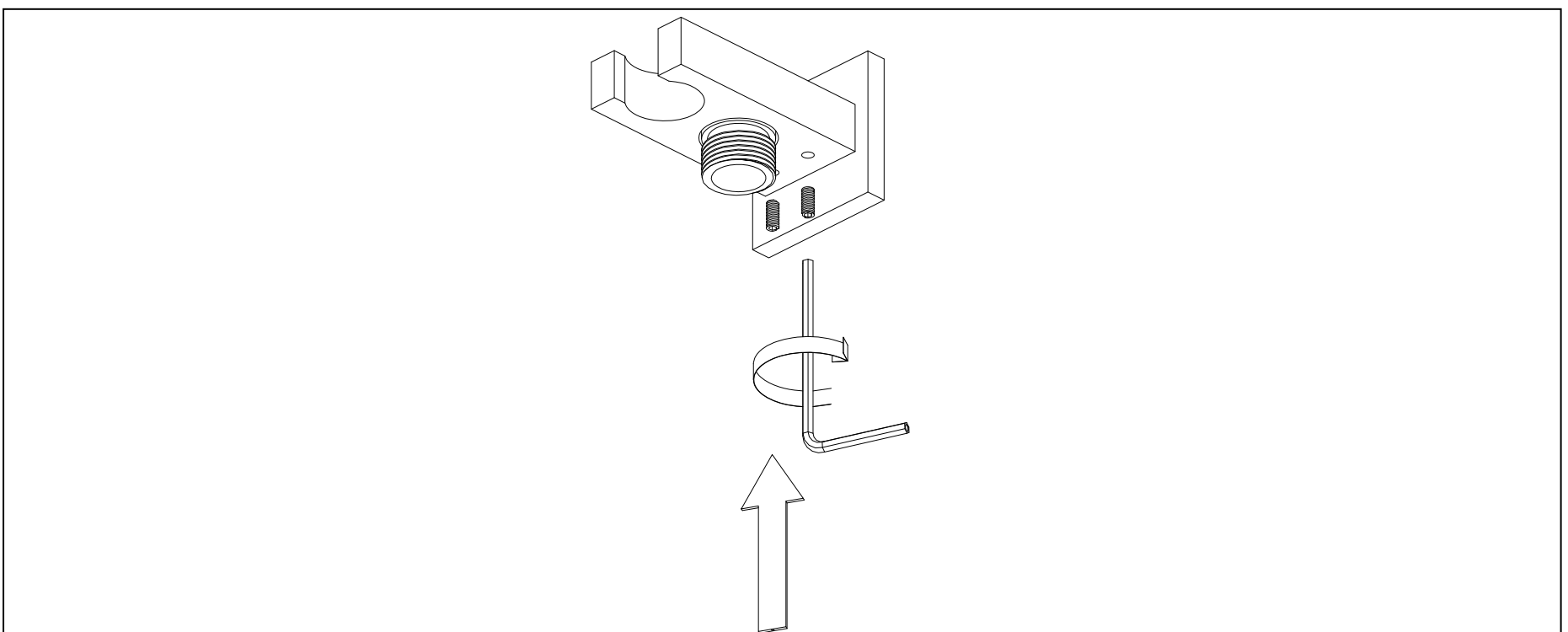
9.1 Apply Teflon tape on the thread of nipple and screw the thread into the pipe elbow inside the wall.



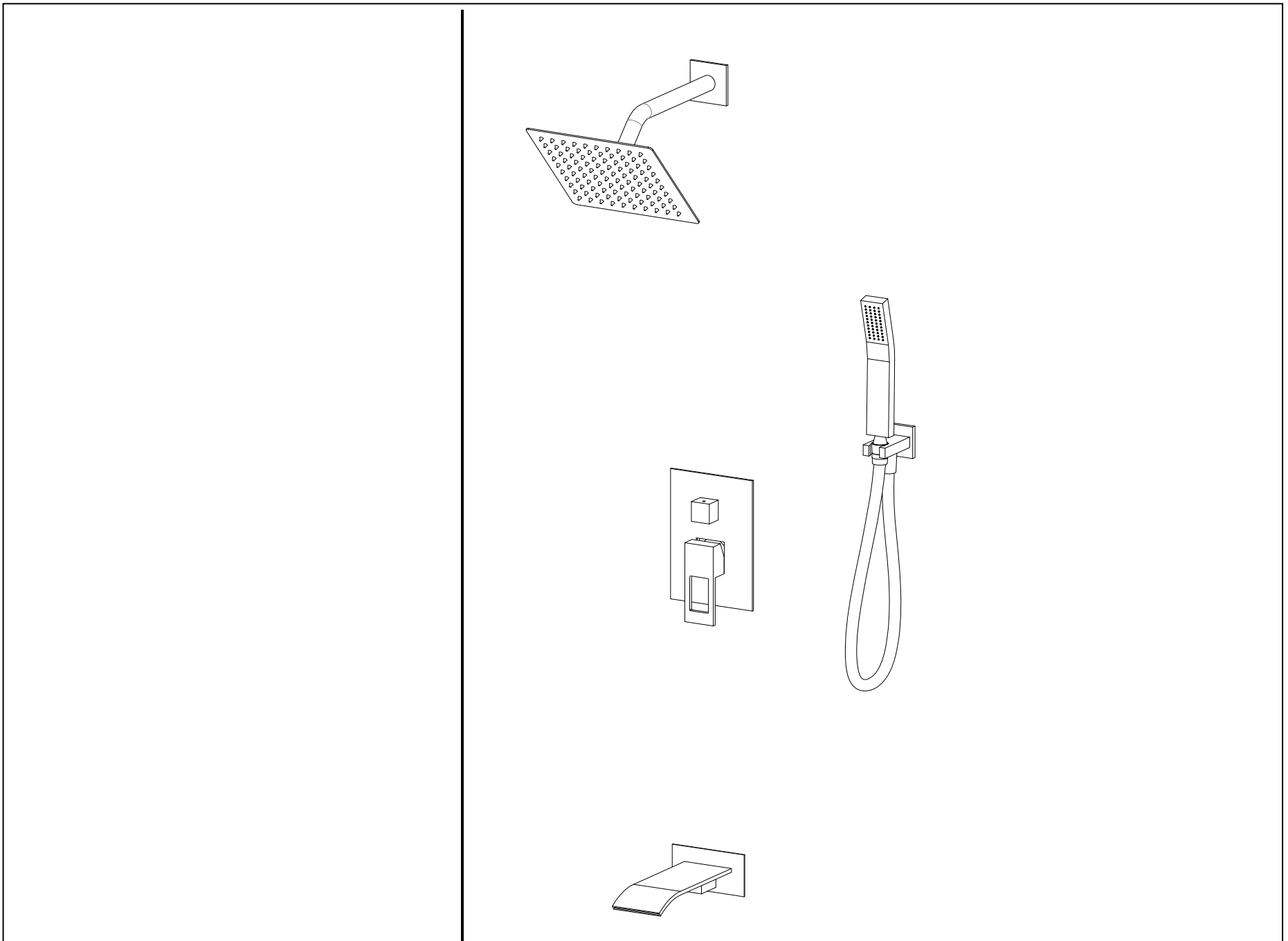
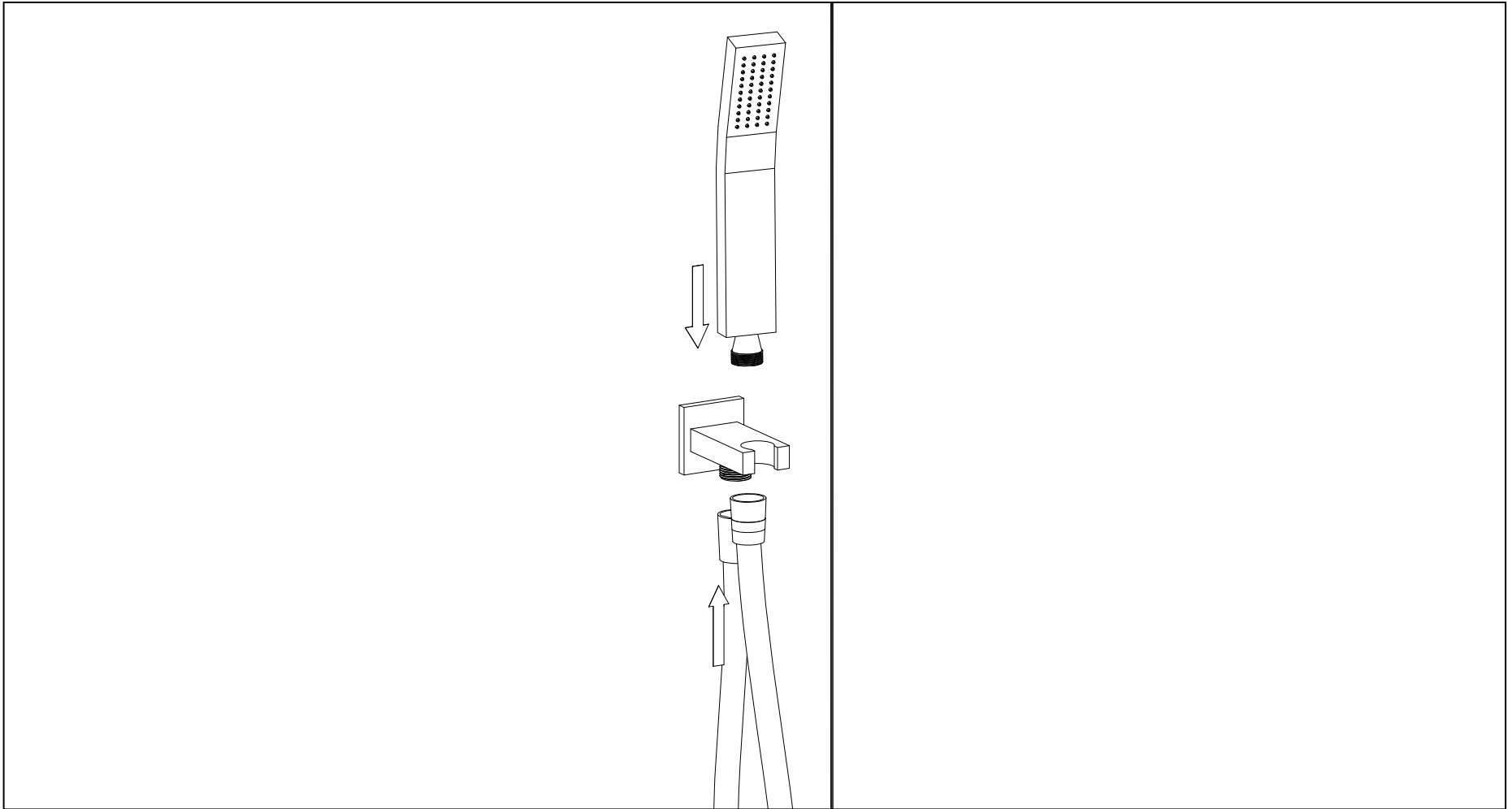
9.2 Dock the shower holder assembly to nipple.



9.3 Secure shower holder to nipple with set screw by Allen Key.



9.4. Connect the hand shower to the elbow with flexible hose.



10. INSPECTION

10.1 Turn on hot and cold water supply and check all connections for ensuring no leaking anywhere.

11. FUNCTION INSPECTION

11.1 Turn on the handle, the water outflow from the showerhead.

11.2 Switch the diverter knob, the water will rush from the hand shower.

INSTALL FINISH

CLEARNING RECOMMENDATION FOR SUMERAIN PRODUCTS

Modern lavatory faucets, kitchen faucets, and showers consist of very different materials to comply with the needs of the market with regard to design and functionality. To avoid damage and returns, it is necessary to consider certain criteria when cleaning.

Cleaning Materials for faucets and showers

Acids are a necessary ingredient of cleaning materials for removing lime, however please pay attention to the following points when cleaning faucets and showers:

- Only use cleaning materials which are explicitly intended for this type of application.
- Never use cleaning materials which contain hydrochloric, formic, phosphoric, or acetic acid, as they cause considerable damage.
- Never mix one cleaning material with another.
- Never use cleaning materials or appliances with an abrasive effect, such as unsuitable cleaning powders, sponge pads, or micro fiber cloths.

Cleaning instructions for faucets and showers

Please follow the cleaning material manufacturer's instructions. In addition, pay attention to the following points:

- Clean the faucets and showers as and when required.
- Use the amount of cleaning product and the amount of time recommended by the manufacturer. Do not leave the cleaner on the fixture longer than necessary.
- Regular cleaning can prevent calcification, if scale deposits are noticed on the faucet surface or the spout, you can clean it by a commercial limescale remover, such as Lime-Away® or CLR®. Dilute the remover according to the label instructions.
- The faucets might have some rusty if your faucet under hard water condition, please rub it with aluminum foil dipped in water until the surface is nice and smooth, and wipe it use a small amount of chrome polish or maybe something like car wax (such as Meguiar®, Turtle Wax®) or polish.
- For stainless steel faucet and spout both made of solid stainless, normally this finish has not protective coating on it (in particular waterfall spout inside), stainless steel is by its material nature very tarnish resistant, but by no means tarnish or stain proof. This finish might oxidize naturally over time and react to its environment. Keep your stainless fixture wiped clean and dry and use only a cleaner specifically made for stainless steel (such as Weiman®, CLR®).
- When using spray cleaners, spray first onto a soft cloth or sponge, never spray directly onto the faucet as droplets can enter openings and gaps and cause damage.
- After cleaning, rinse thoroughly with clean water to remove any cleaner residue.

Important

Residues of liquid soaps, shampoos, and shower foams can also cause damage, so rinse with clean water after using.



Please note: if the surface is already damaged, the effect of cleaning materials will cause further damage.

**Components with damaged surfaces must be replaced or injury could result.
Damage caused by improper treatment is not covered under the warranty.**

SUMERAIN®

HONGKONG SUMERAIN SANITARY INDUSTRY CO., LIMITED

Address: ROOM 1018, HOLLYWOOD PLAZA 610 NATHAN ROAD MONGKOK,
KL, HONGKONG

Factory Address:

Floor 3th, No.2 ZhongXing Road, ShuiNuan City Industrial Zone, Shuikou town, Kaiping City,
Guangdong Province,
China

U.S. Support line: +1-866-203-0866

Factory Tel: +86-750-2731579

Web: <http://www.sumerain.com>

E-mail: supports@sumerain.com

SUMERAIN EUROPE SUPPORT

Address: Danziger Strasse 142
10407 Berlin
Deutschland

Tel: +49 (0)30/23975898

E-mail: de@sumerain.com