

Rotating Bookcase

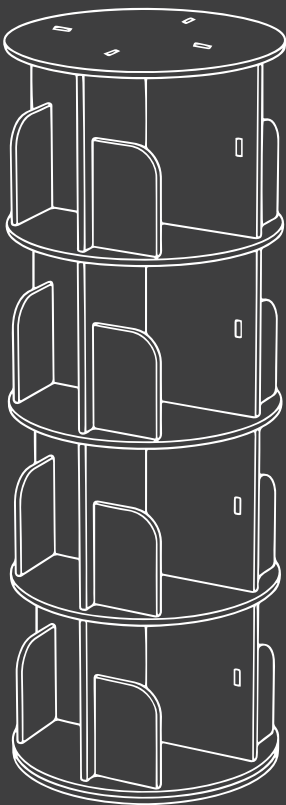
Instruction Manual

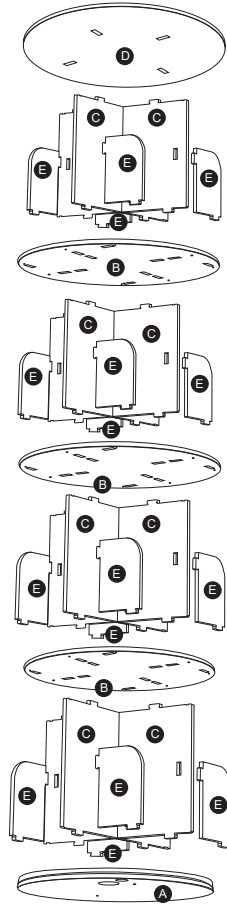
Estantería giratoria

Manual de instrucciones

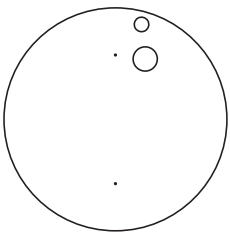
Bibliothèque tournante

Manuel d'Instruction

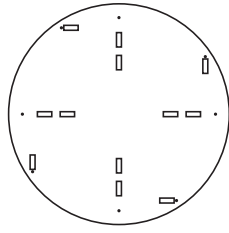




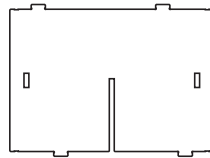
A X1



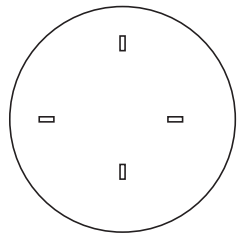
B X3



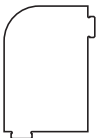
C X8



D X1



E X16

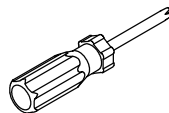


F X28

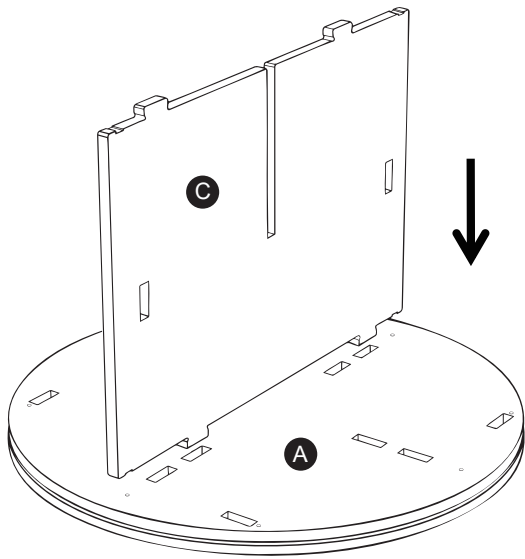


M4*30mm

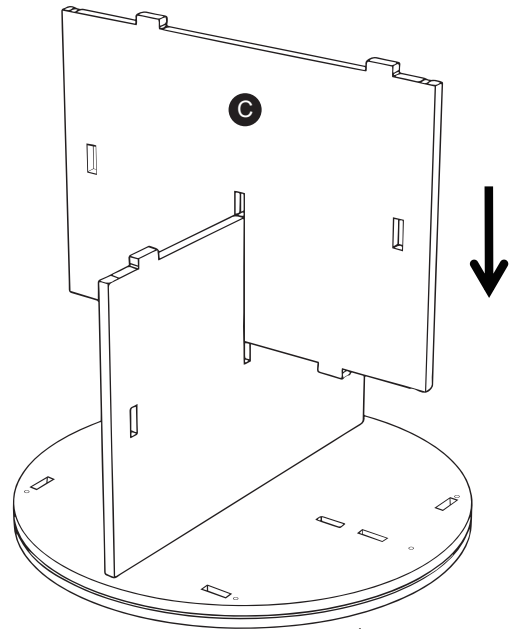
G X1



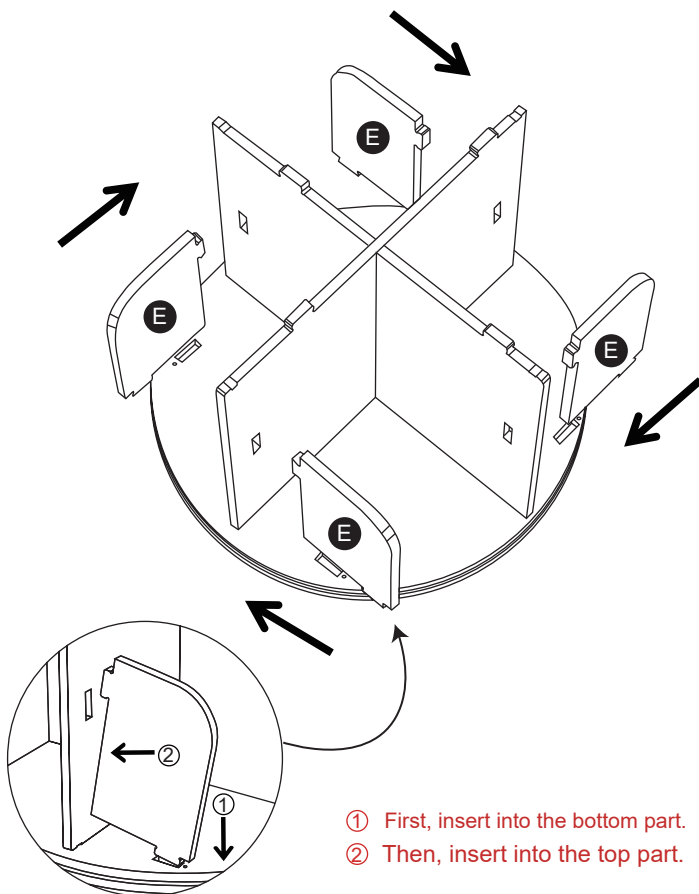
Step 1



Step 2

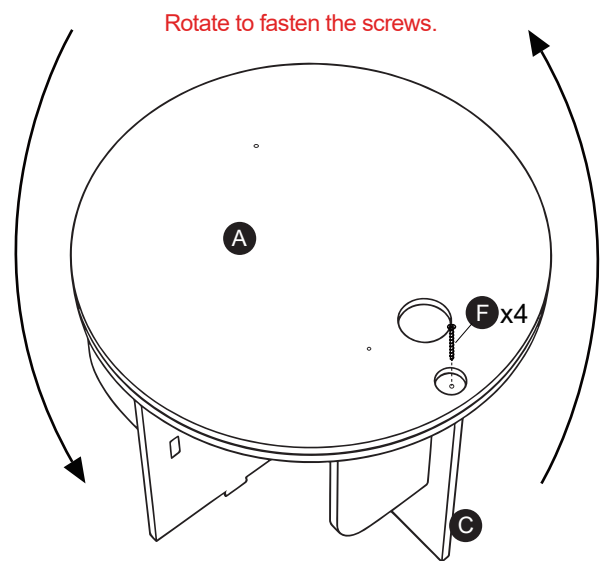
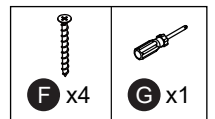


Step 3

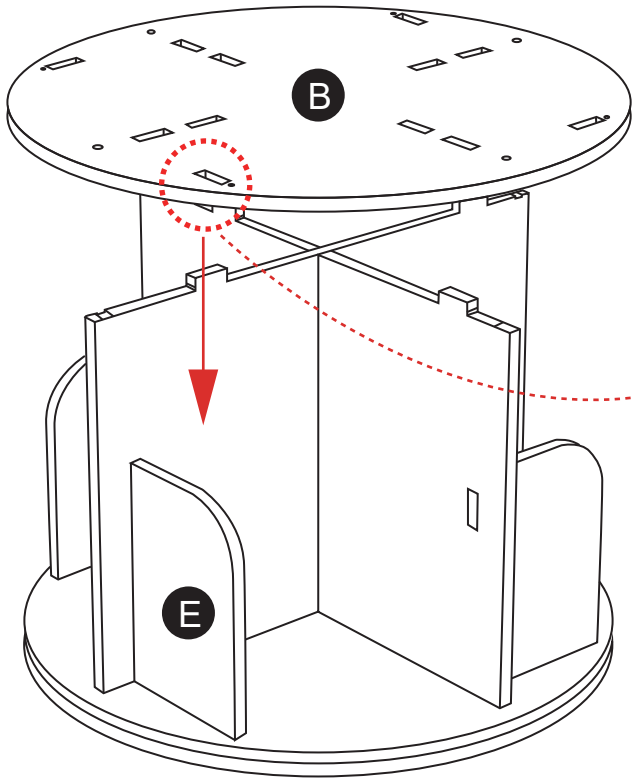
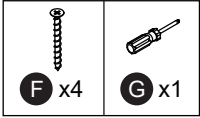


- ① First, insert into the bottom part.
- ② Then, insert into the top part.

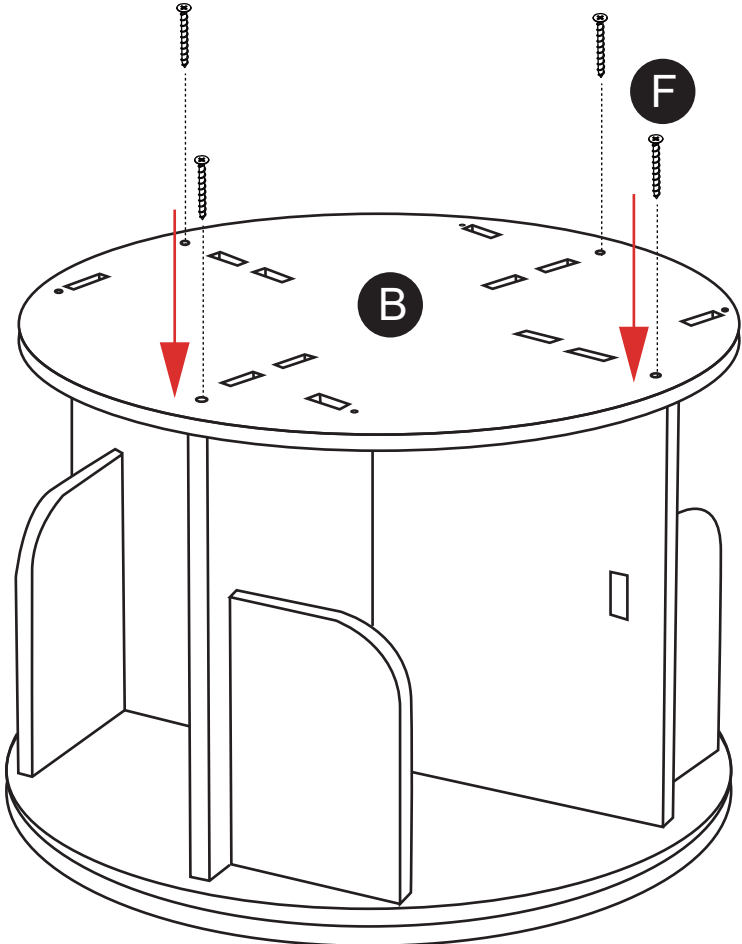
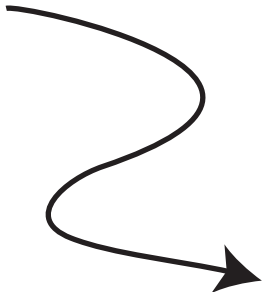
Step 4



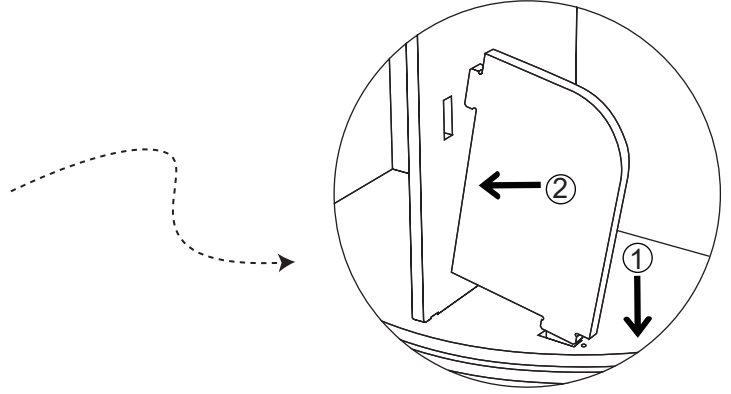
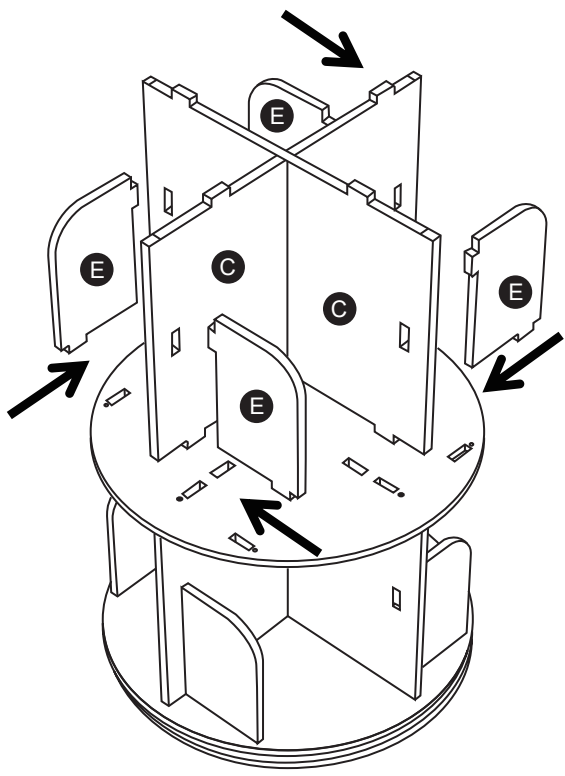
Step 5



Align the holes with Plate E.

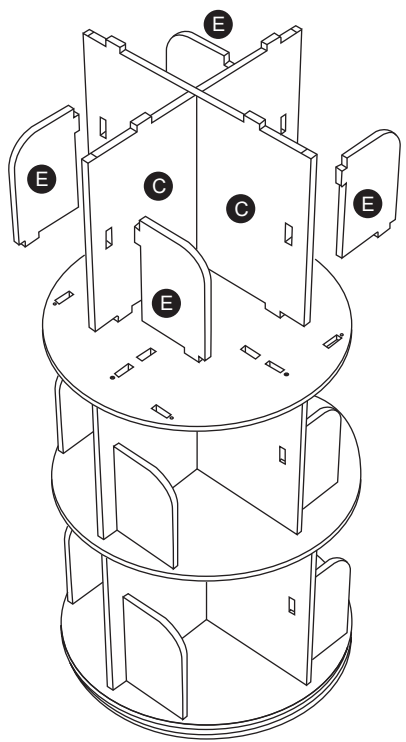
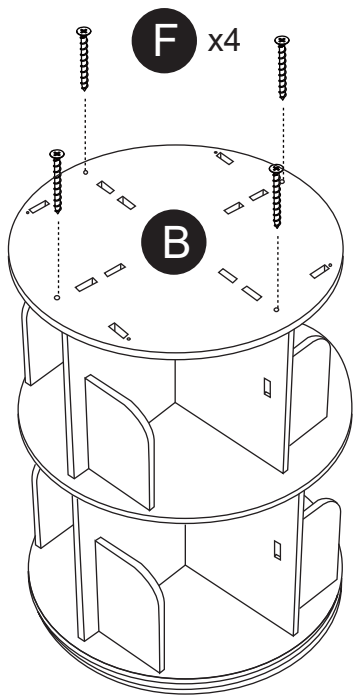
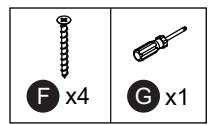


Step 6

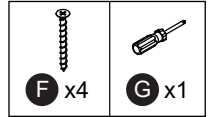
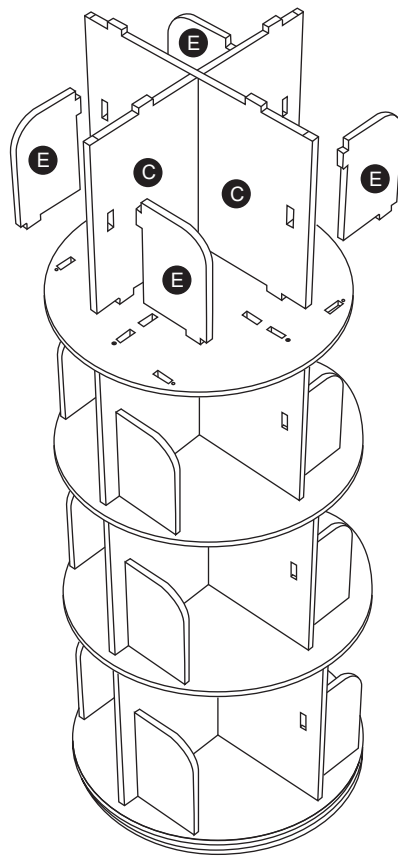
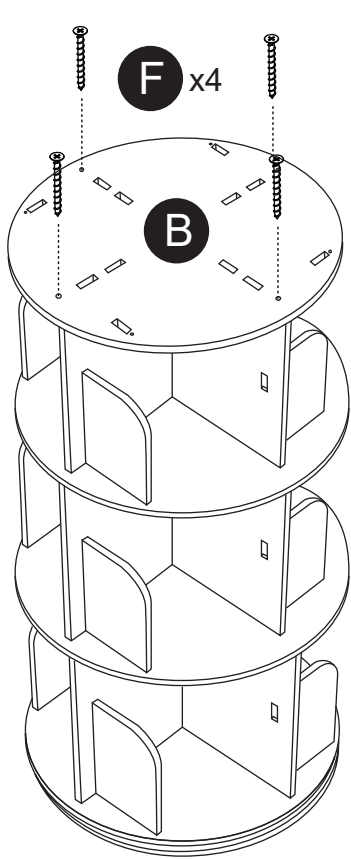


- ① First, insert into the bottom part.
- ② Then, insert into the top part.

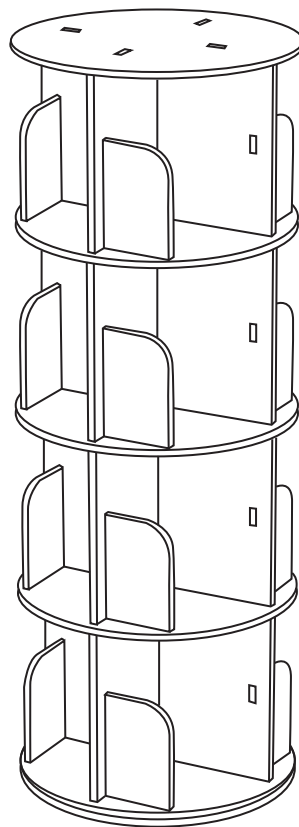
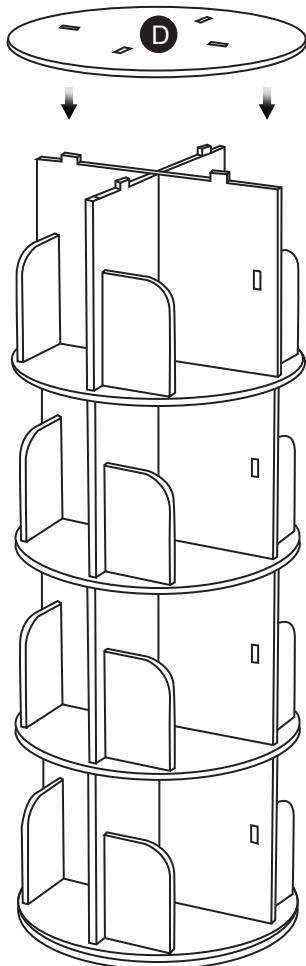
Step 7



Step 8



Step 9



Step 10

