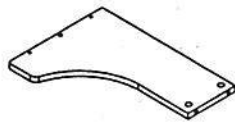
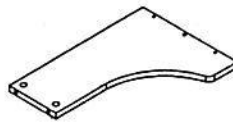


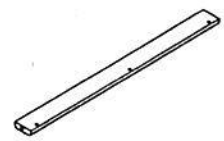
A X 1pcs



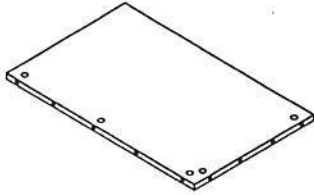
B X 1pcs



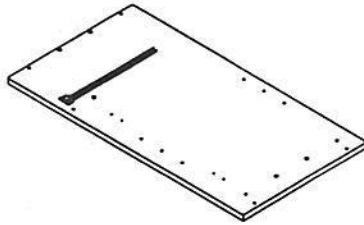
C X 1pcs



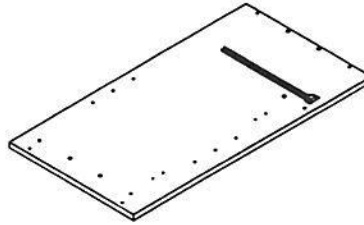
D X 1pcs



E X 2pcs



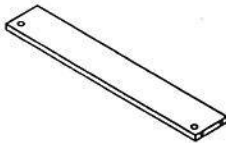
F X 1pcs



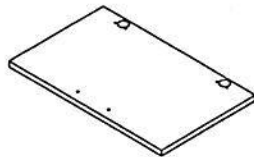
G X 1pcs



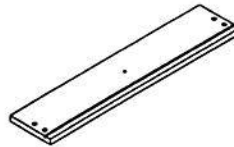
H X 1pcs



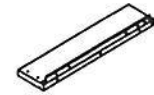
I X 1pcs



J X 2pcs



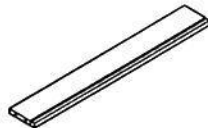
K X 1pcs



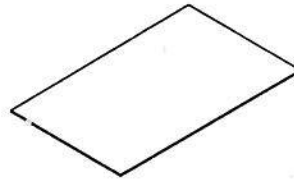
L X 1pcs



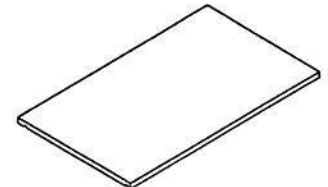
M X 1pcs



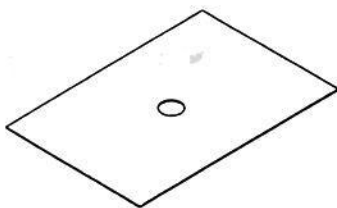
N X 1pcs



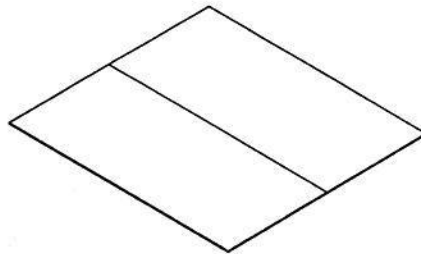
O X 1pcs



P X 1pcs



Q X 1pcs



R X 1pcs



S X 1pcs



1 24pcs



2 21pcs



3 24pcs



4 1pcs



5 4pcs



6 4pcs



7 4pcs



8 1set



9 2set



10 2set



11 30pcs



12 4pcs



13 4set

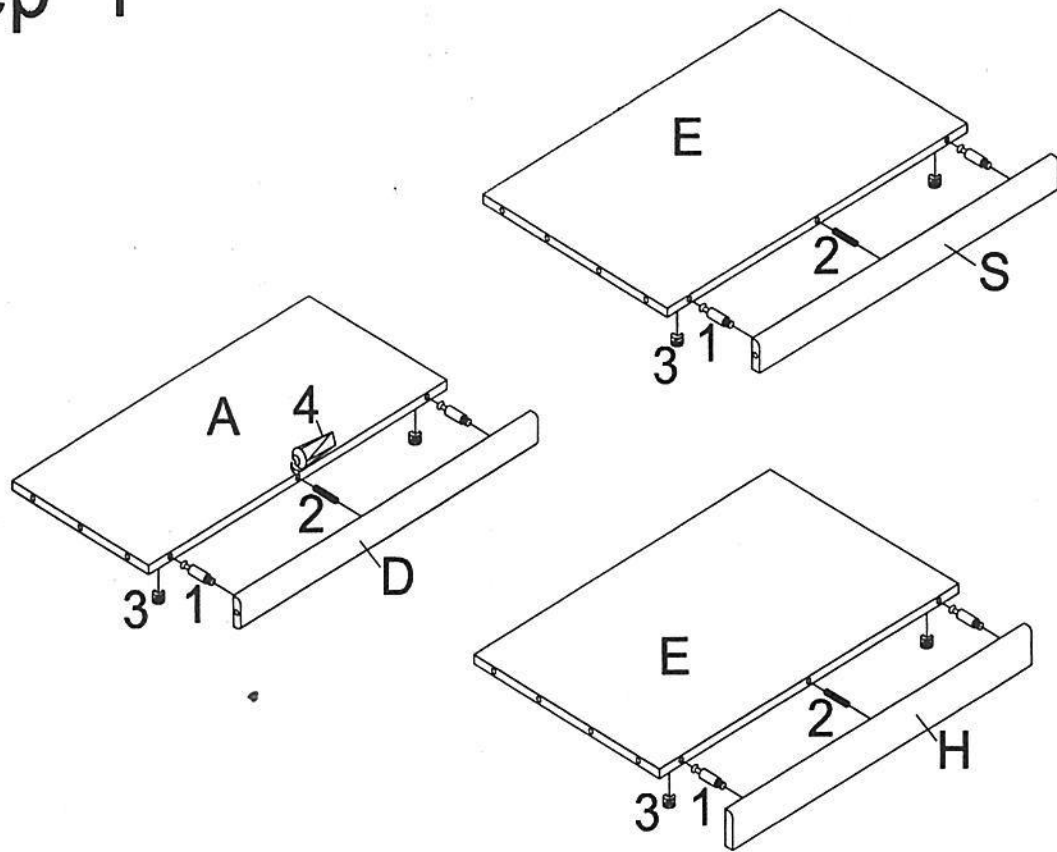


14 2set

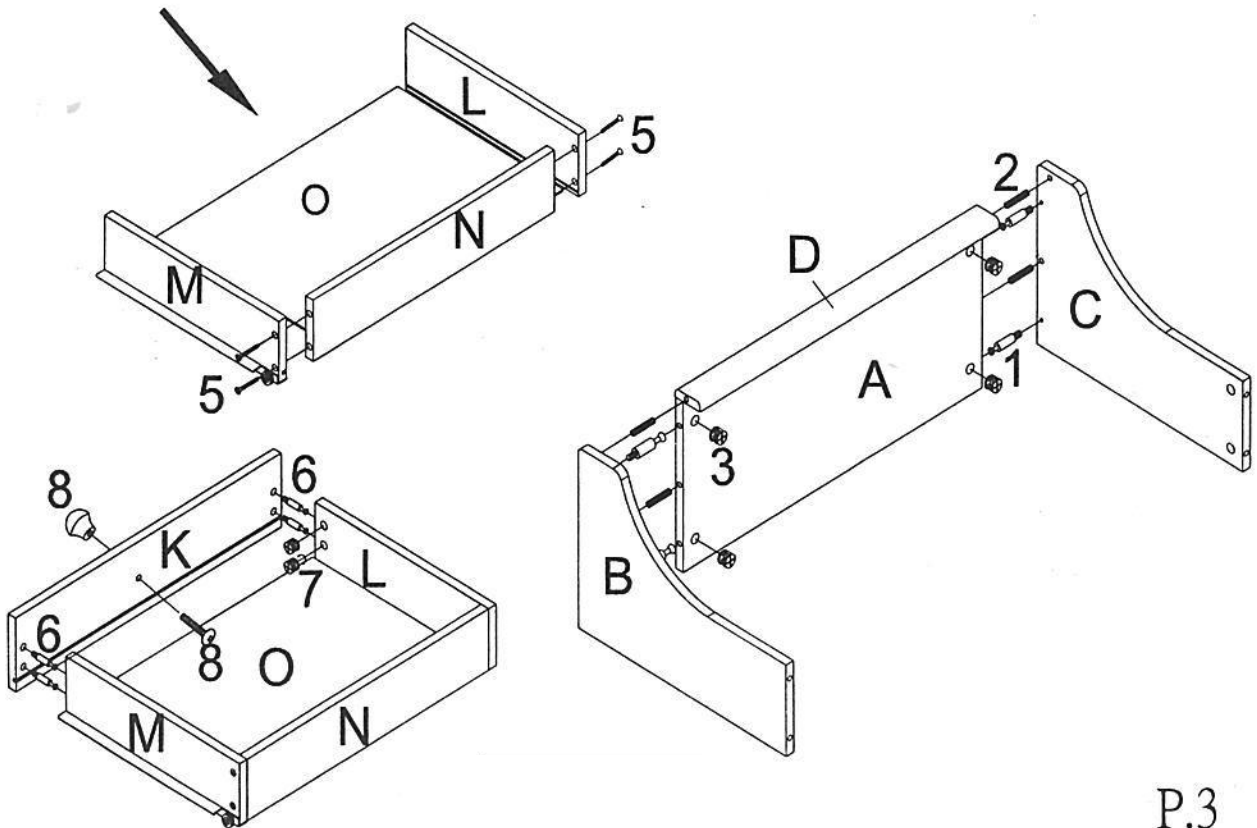


15 2pcs

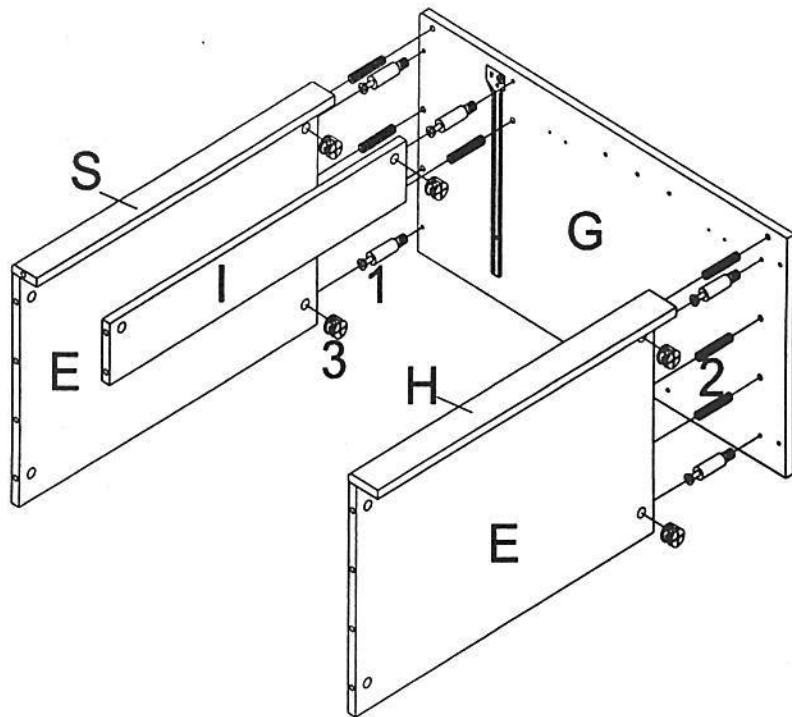
Step 1



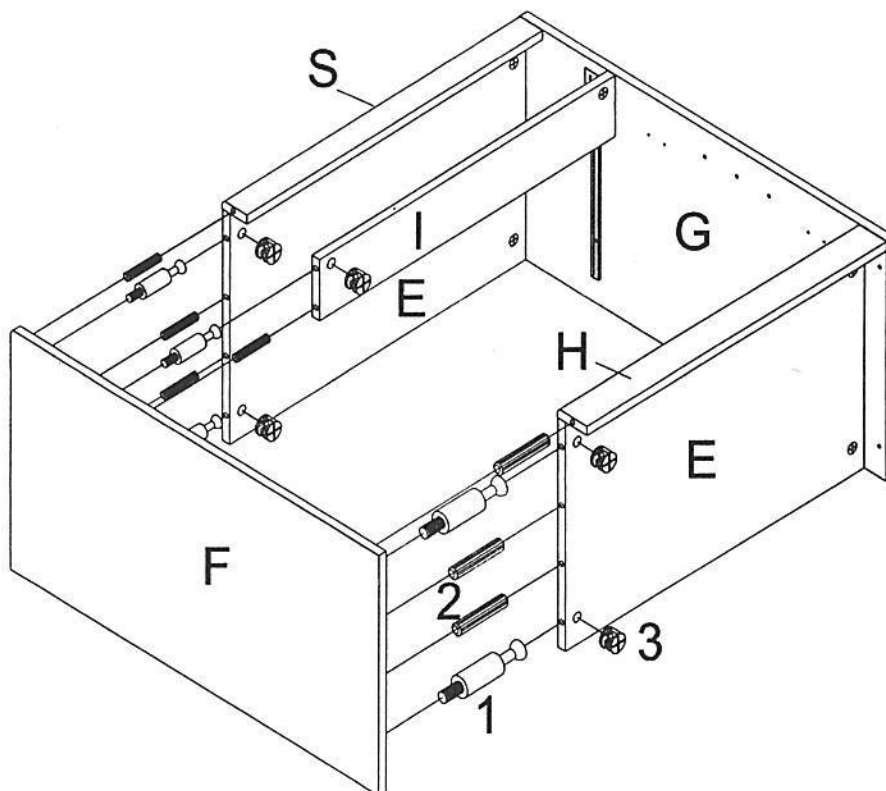
Step 2



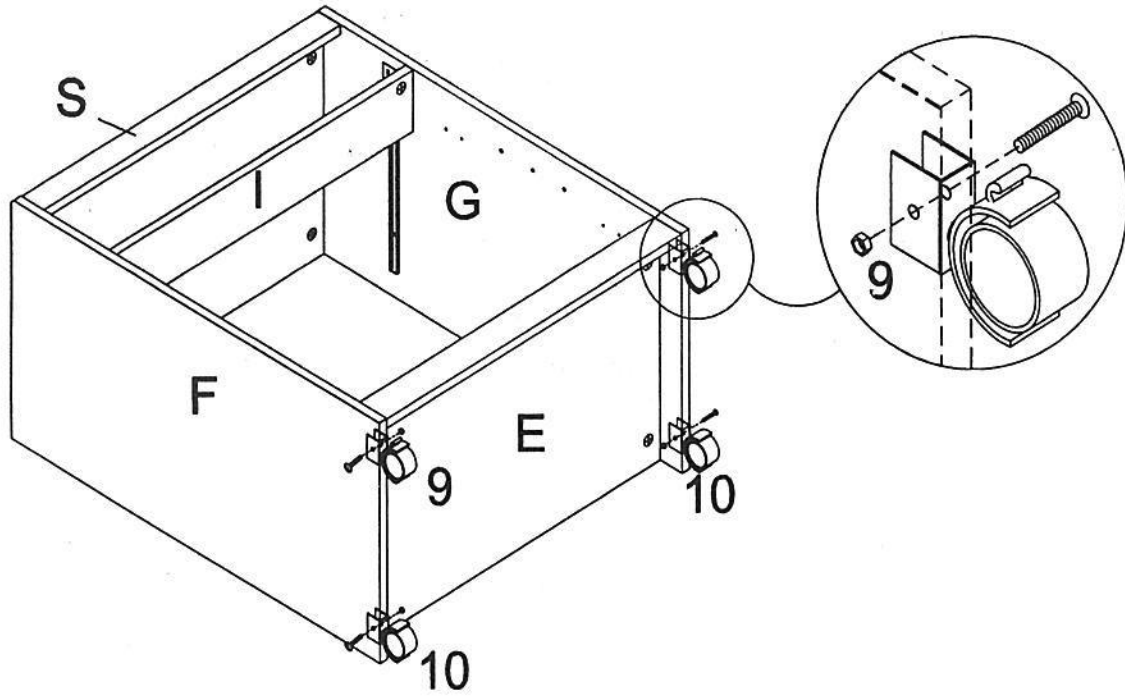
Step 3



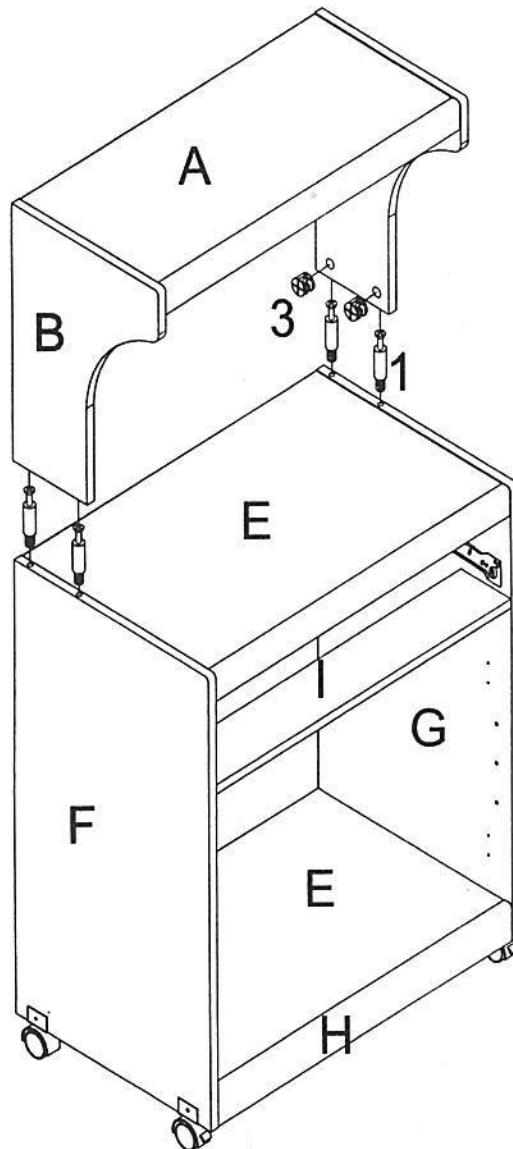
Step 4



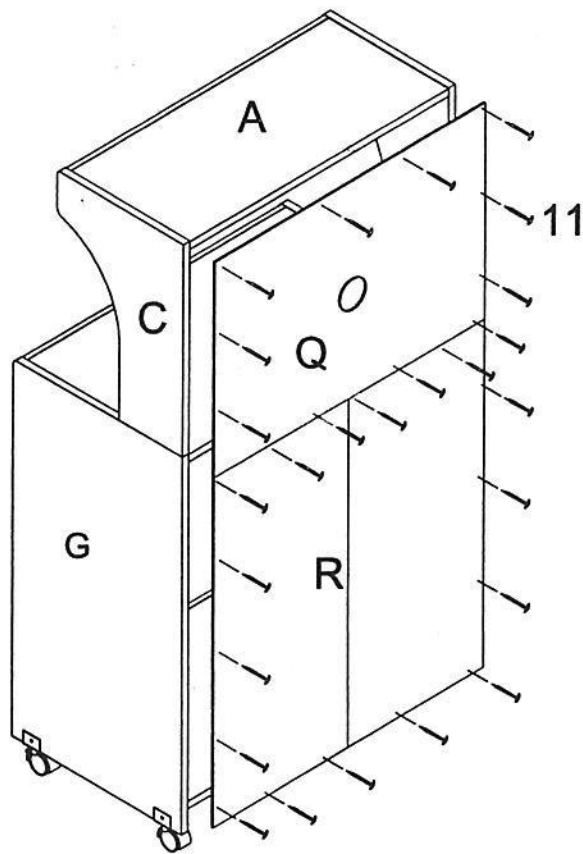
Step 5



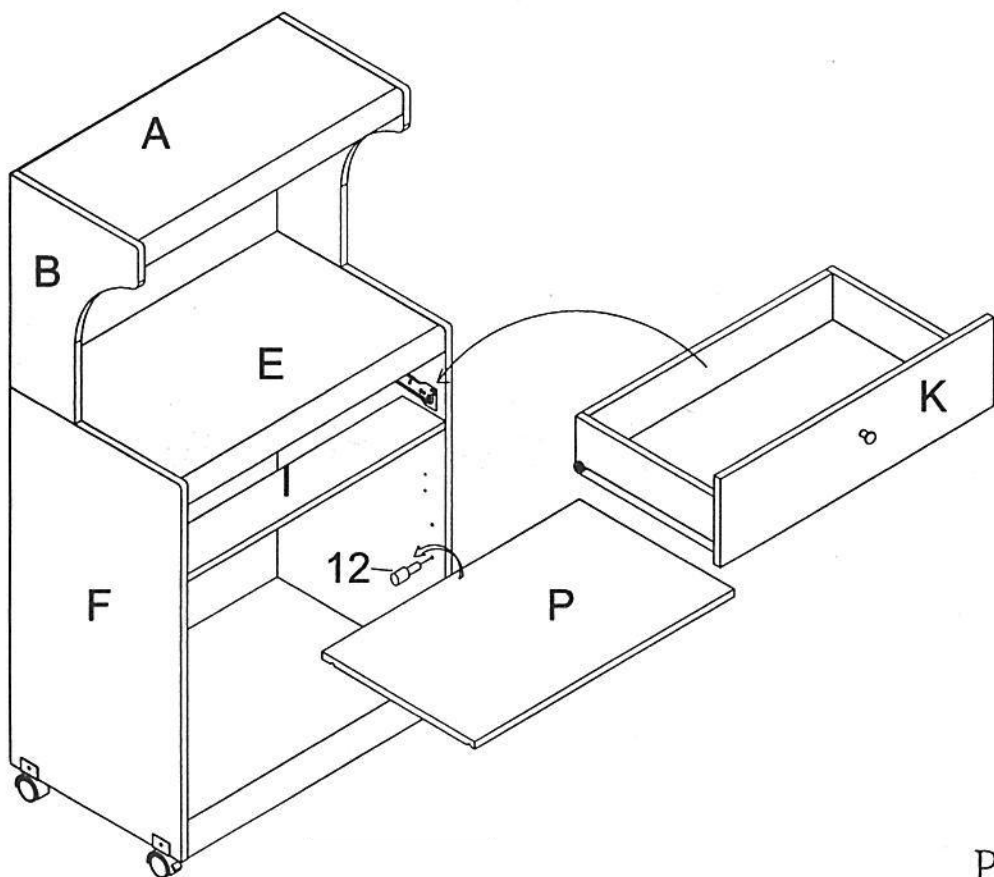
Step 6



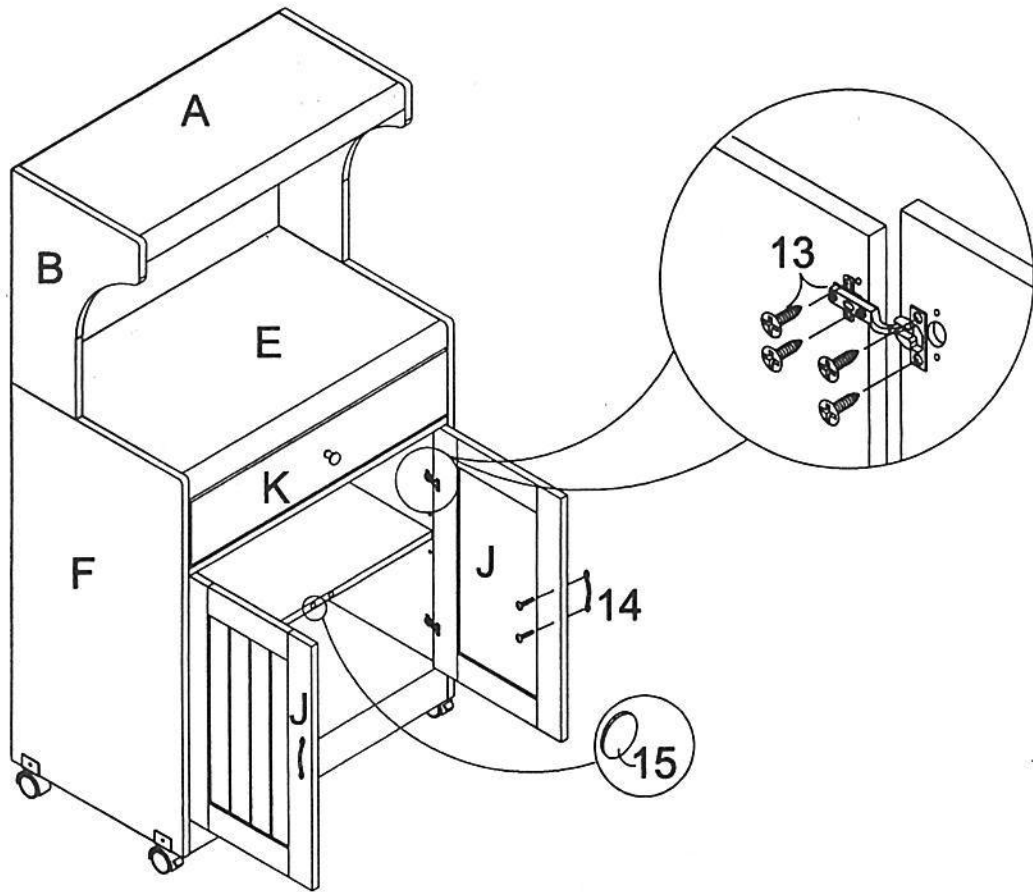
Step 7



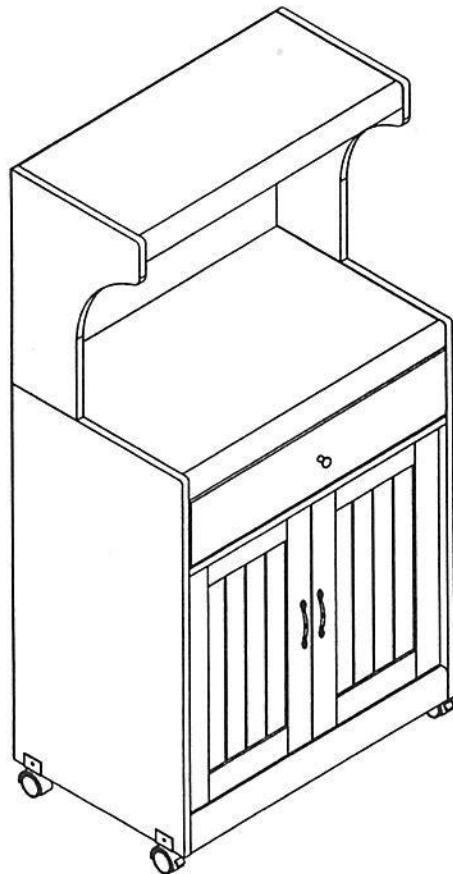
Step 8



Step 9



Step 10



WARNING: ALL SCREWS MUST BE TIGHTENED!