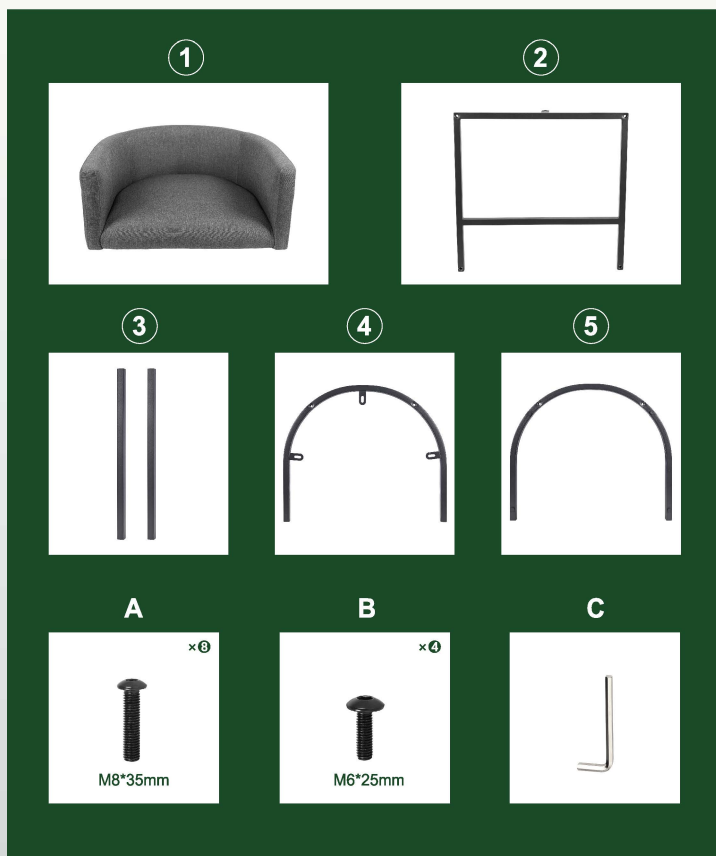


⚠ WARNING

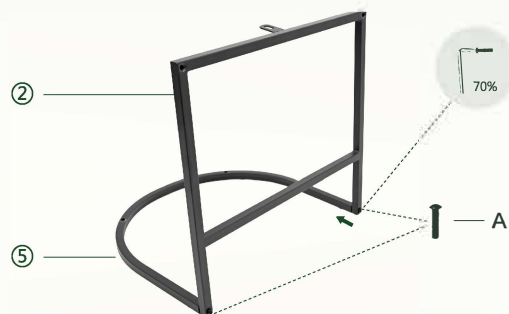
- Read and understand all instructions. Failure to follow all instructions listed below, may result in product damage.
- Before assembly, check all components in the package. Make sure you have hard-wares for operation.
- Please keep your personal property away during the installation to avoid any damage.

The following display shows the components of one chair.



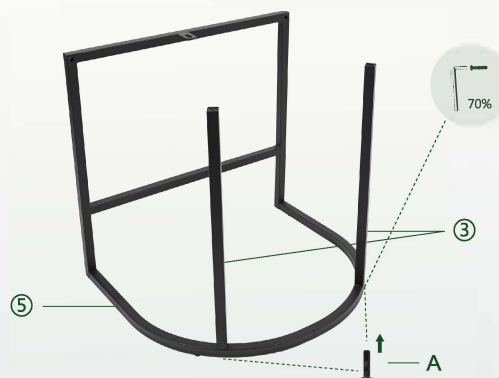
1

Attach ② to ⑤ with bolts (A). Tighten the two bolts (A) to approximately 70% with Allen key (C).



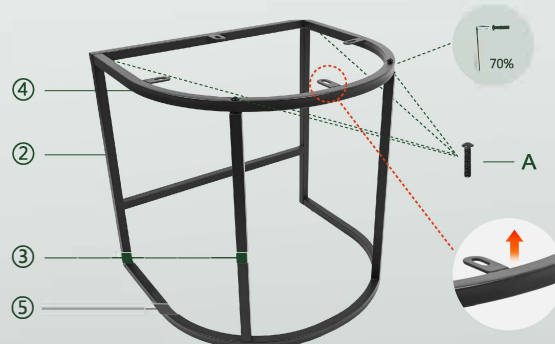
2

Attach ③ to ⑤ with bolts (A). Tighten both bolts (A) to around 70% with Allen key (C).



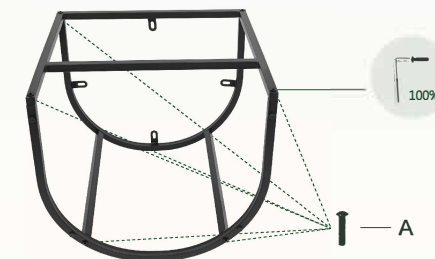
3

Attach the ④ to the ② and ③ using bolts(A), ensuring that the holes on pieces ③ and ④ align flat and straight, and holes in pieces ③ and ② align flush too. Tighten the four bolts (A) to approximately 70% with Allen key (C).



4

Tighten up all screws (A), ensuring the base is stable.



5

Flip over the seat cushion ① and firmly attach the assembled base to it. Ensure that the base and seat holes are perfectly aligned. Tighten up all the four bolts (B) with Allen key (C)



⚠ MAINTENANCE INSTRUCTION

Clean with a dry cloth, wipe with neutral detergent for seat cushions.

FRAME: Wipe with a semi-dry cloth. do not use bleach to clean the frame, and avoid contact of hardware parts with water to prevent rust and prolong the product's lifespan.

DO NOT USE the product when it is unsafe for sitting.

CUSTOMER SERVICE INFO

If you have any product related problems during your assembly or use, we will provide faithful solutions for you.

