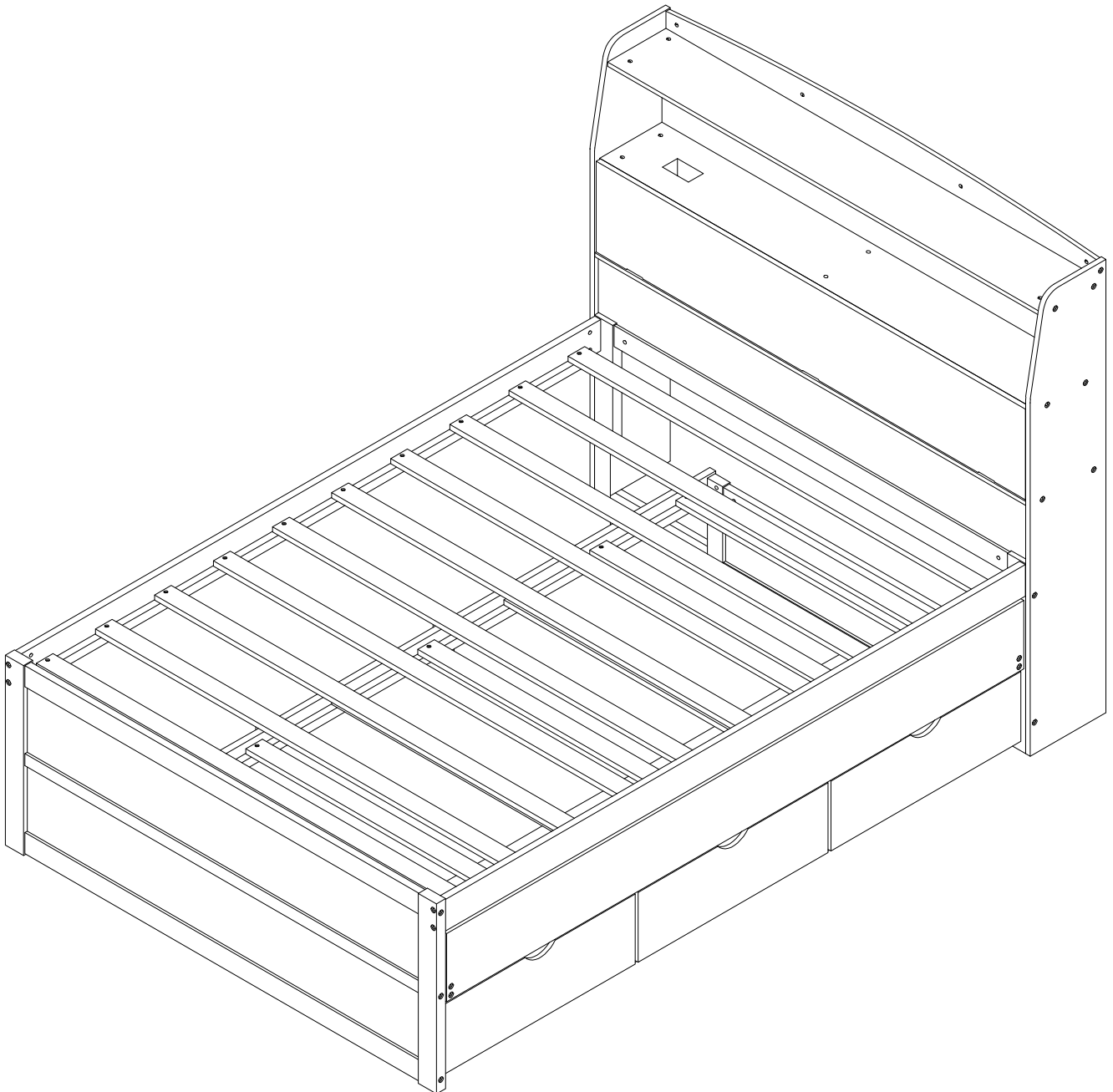


# ASSEMBLY INSTRUCTION

**This set includes 2 boxes if don't receive full 2 boxes please contact our customer service team**



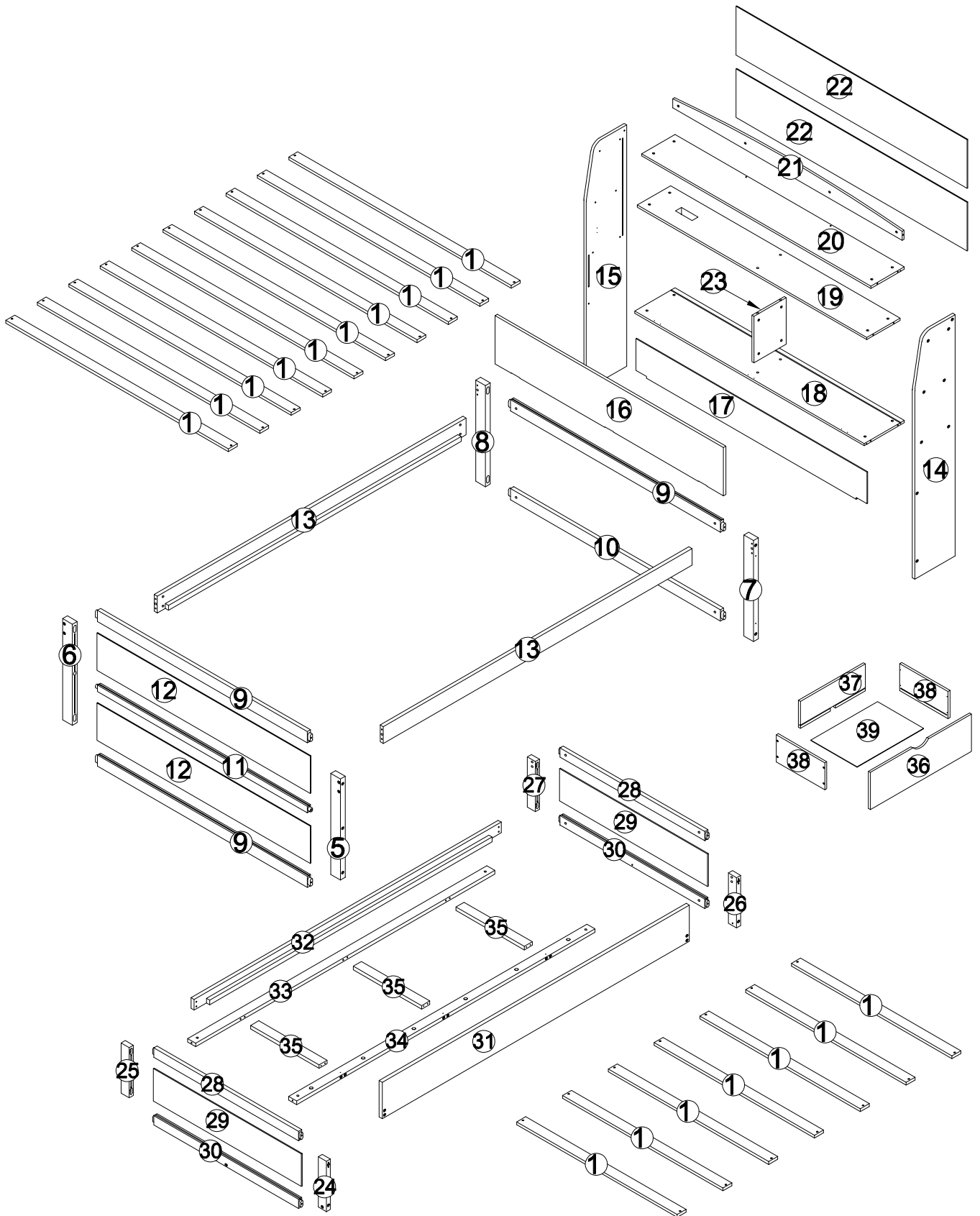
## **SAFETY WARNINGS AND GENERAL NOTES:**

1. Do not use substitute parts. Contact the manufacturer or dealer for replacement parts.
2. Keep these instructions for future reference.
3. We recommend assembling your bed on the shipping carton to protect your floor or carpet.
4. Be certain all staples are out of the box before beginning assembly on the shipping carton.





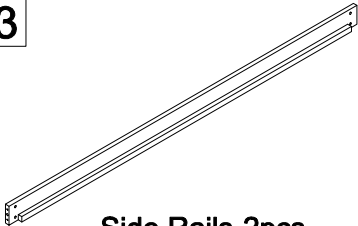


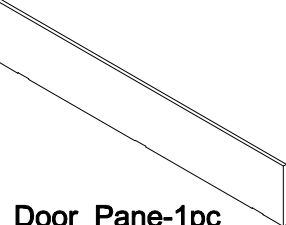
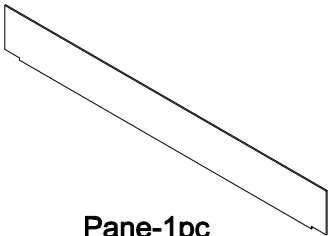
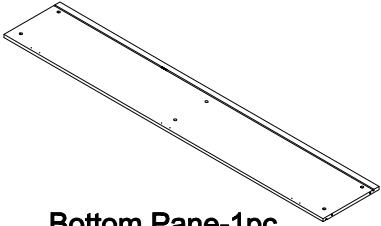
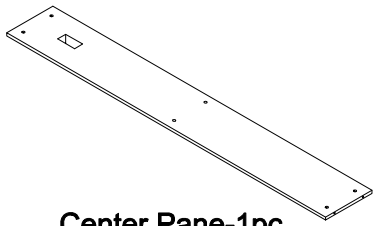
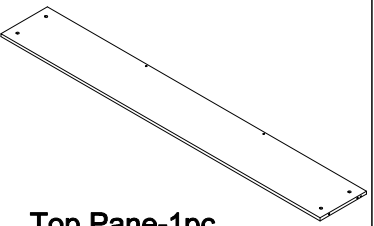
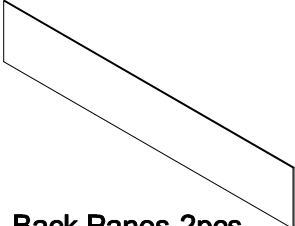

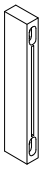


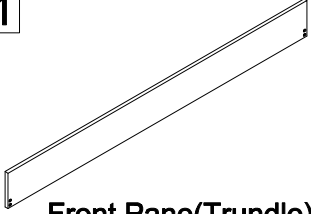
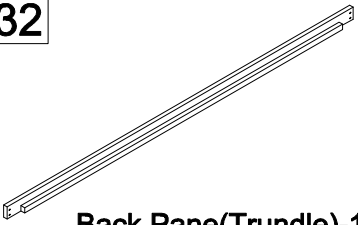
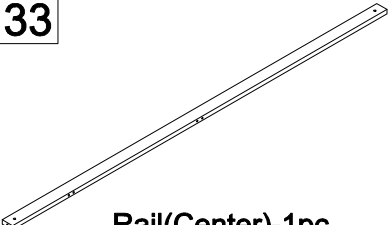
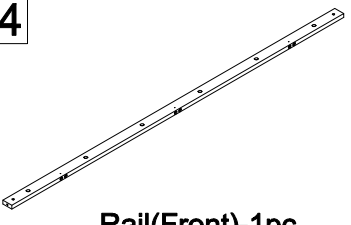
### **5.Replacement Parts:**

Replacement Parts, including additional guardrails, may be obtained from any of our dealers

# ASSEMBLY INSTRUCTION

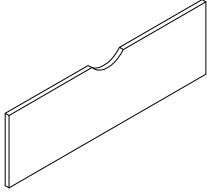


# Part List (Box 1-WF316645)

<p><b>5</b></p>  <p>Leg-1pc</p>	<p><b>6</b></p>  <p>Leg-1pc</p>	<p><b>7</b></p>  <p>Leg-1pc</p>
<p><b>8</b></p>  <p>Leg-1pc</p>	<p><b>13</b></p>  <p>Side Rails-2pcs</p>	<p><b>14</b></p>  <p>Side Pane-1pc</p>
<p><b>15</b></p>  <p>Side Pane-1pc</p>	<p><b>16</b></p>  <p>Door Pane-1pc</p>	<p><b>17</b></p>  <p>Pane-1pc</p>
<p><b>18</b></p>  <p>Bottom Pane-1pc</p>	<p><b>19</b></p>  <p>Center Pane-1pc</p>	<p><b>20</b></p>  <p>Top Pane-1pc</p>
<p><b>22</b></p>  <p>Back Panes-2pcs</p>	<p><b>24</b></p>  <p>Leg-1pc</p>	<p><b>25</b></p>  <p>Leg-1pc</p>
<p><b>26</b></p>  <p>Leg-1pc</p>	<p><b>27</b></p>  <p>Leg-1pc</p>	<p><b>31</b></p>  <p>Front Pane(Trundle)-1pc</p>
<p><b>32</b></p>  <p>Back Pane(Trundle)-1pc</p>	<p><b>33</b></p>  <p>Rail(Center)-1pc</p>	<p><b>34</b></p>  <p>Rail(Front)-1pc</p>

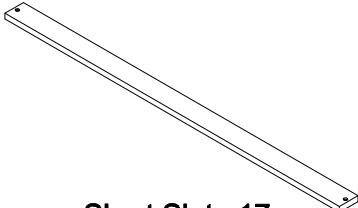
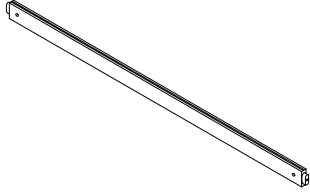
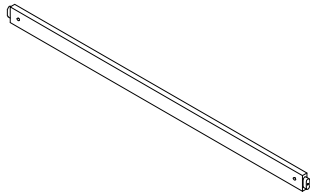
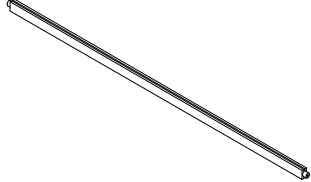
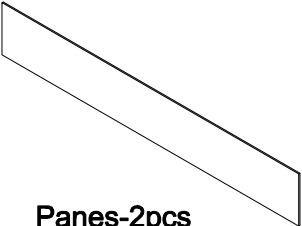
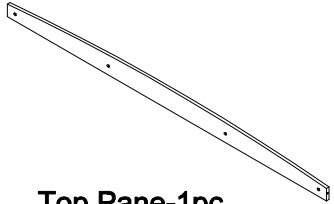
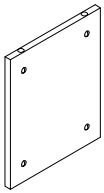
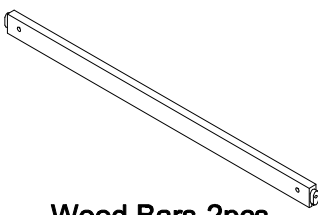
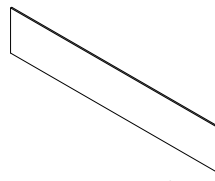
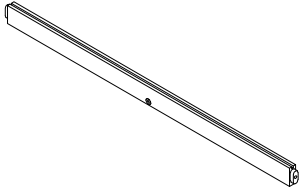
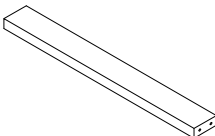
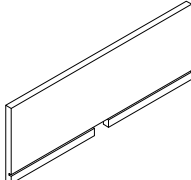
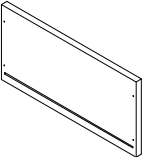
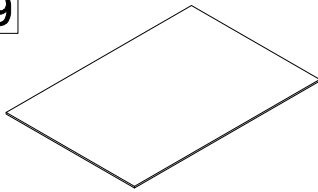
# Part List (Box 1-WF316645)

36

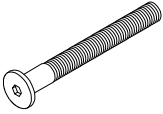

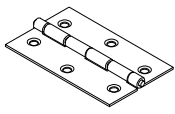
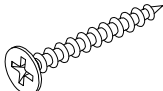
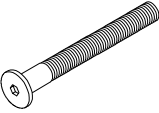
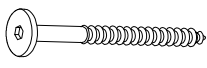
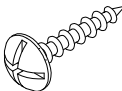
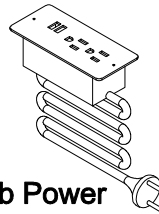
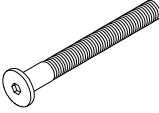
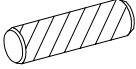

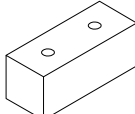

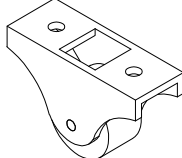
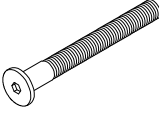
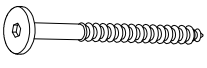
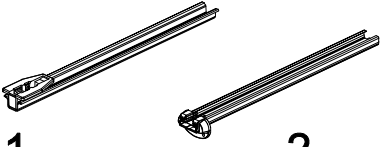


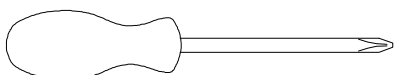
Drawer-Front Panes-3pcs

# Part List & Hardware List (Box 2-WF316646)

<p><b>1</b></p>  <p>Short Slats-17pcs</p>	<p><b>9</b></p>  <p>Wood Bars-3pcs</p>	<p><b>10</b></p>  <p>Wood Bar-1pc</p>
<p><b>11</b></p>  <p>Wood Bar-1pc</p>	<p><b>12</b></p>  <p>Panels-2pcs</p>	<p><b>21</b></p>  <p>Top Panel-1pc</p>
<p><b>23</b></p>  <p>Center Panel-1pc</p>	<p><b>28</b></p>  <p>Wood Bars-2pcs</p>	<p><b>29</b></p>  <p>Panels-2pcs</p>
<p><b>30</b></p>  <p>Wood Bars-2pcs</p>	<p><b>35</b></p>  <p>Rails-3pcs</p>	<p><b>37</b></p>  <p>Drawer-Back Panels-3pcs</p>
<p><b>38</b></p>  <p>Drawer-Side Panels-6pcs</p>	<p><b>39</b></p>  <p>Drawer-Bottom Panels-3pcs</p>	

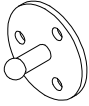
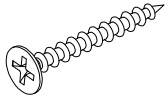
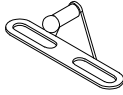
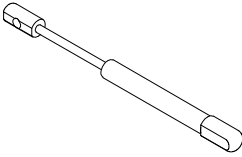
# Hardware List (Box 2-WF316646)

<p><b>A</b></p>  <p>Screws 1/4" x100 10pcs</p>	<p><b>B</b></p>  <p>Ø1/4" x 13 mm Horizontal-Hole bolts 57pcs</p>	<p><b>E</b></p>  <p>Leaf hinge 3pcs</p>
<p><b>F</b></p>  <p>M3 x 12 mm Wood Screws 29pcs</p>	<p><b>N</b></p>  <p>Screws 1/4" x60 31pcs</p>	<p><b>P</b></p>  <p>Screws 1/4" x50 4pcs</p>
<p><b>Q</b></p>  <p>M4 x 15 mm Wood Screws 17pcs</p>	<p><b>R</b></p>  <p>USB Power 1Pc</p>	<p><b>S</b></p>  <p>Screws 1/4" x80 8pcs</p>
<p><b>T</b></p>  <p>Ø10 x 40 mm Wood dowel 4pcs</p>	<p><b>U</b></p>  <p>M4 x 30 mm Wood Screws 65pcs</p>	<p><b>V</b></p>  <p>Stop Trundle 2pcs</p>
<p><b>I</b></p>  <p>Allen Key 1pc</p>	<p><b>Y</b></p>  <p>Wheels(28H) 5pcs</p>	<p><b>Z</b></p>  <p>Screws 1/4" x90 8pcs</p>
<p><b>O</b></p>  <p>Screws 1/4" x80 12pcs</p>	<p><b>W</b></p>  <p>1 2 Runner(3 set) 300*30mm</p>	

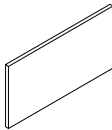
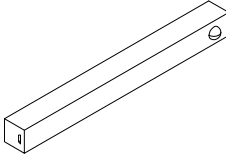
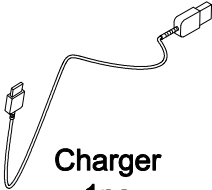


**Assembly Tools Required (Not Included)**

# Hardware List (Box 2-WF316646)-Piston cover

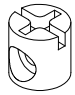
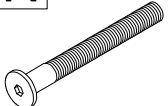
<b>C</b>  Detail C 2pcs	<b>D</b>  M3 x 15 mm Wood Screws 10pcs	<b>G</b>  Detail G 2pcs
<b>H</b>  Detail H 2pcs		

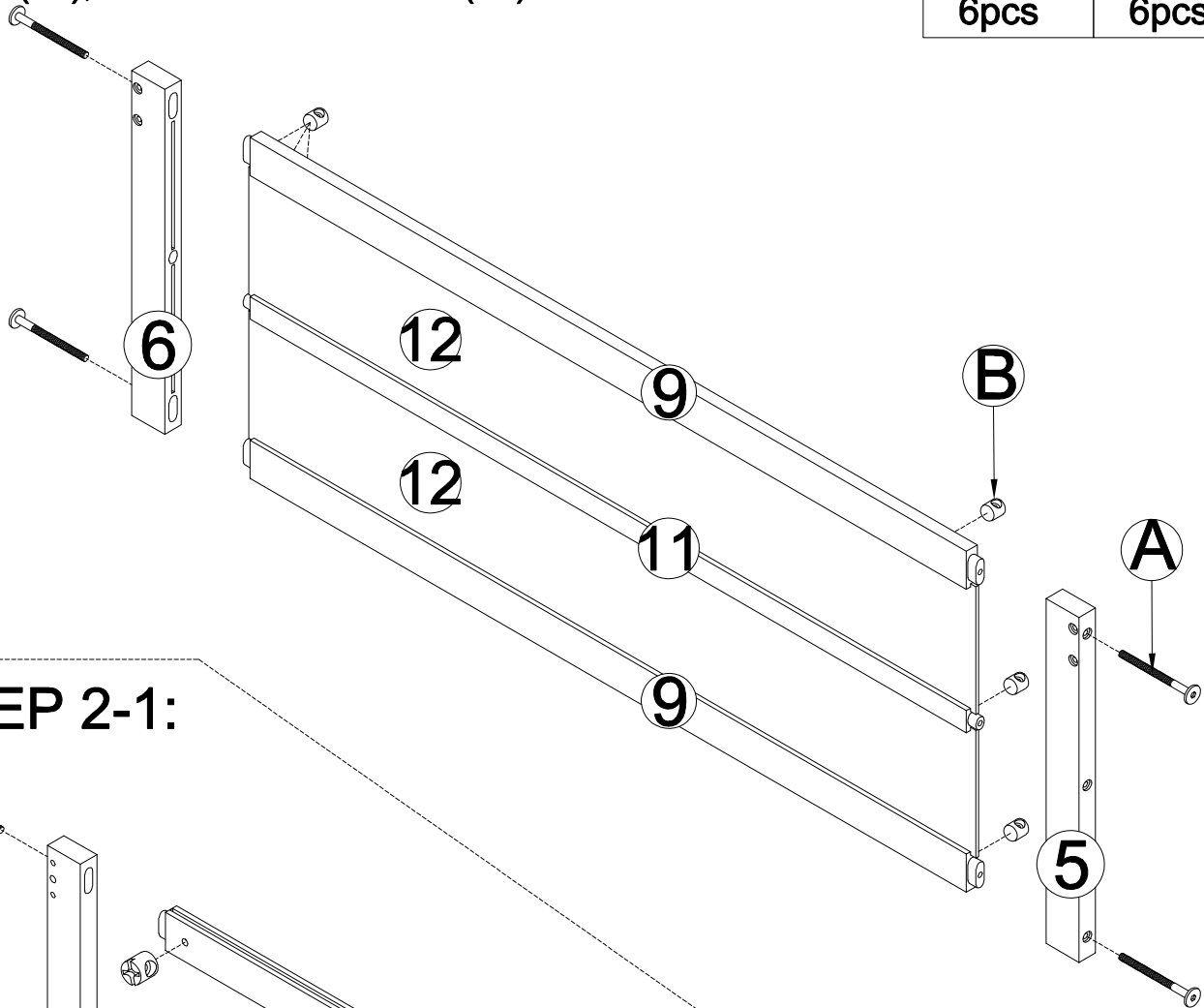
## Box Of Led Light (Box 2-WF316646)

<b>K</b>  Magnet leaf 4pcs	<b>L</b>  Led Light 1pc	<b>M</b>  Charger 1pc
--	---	---

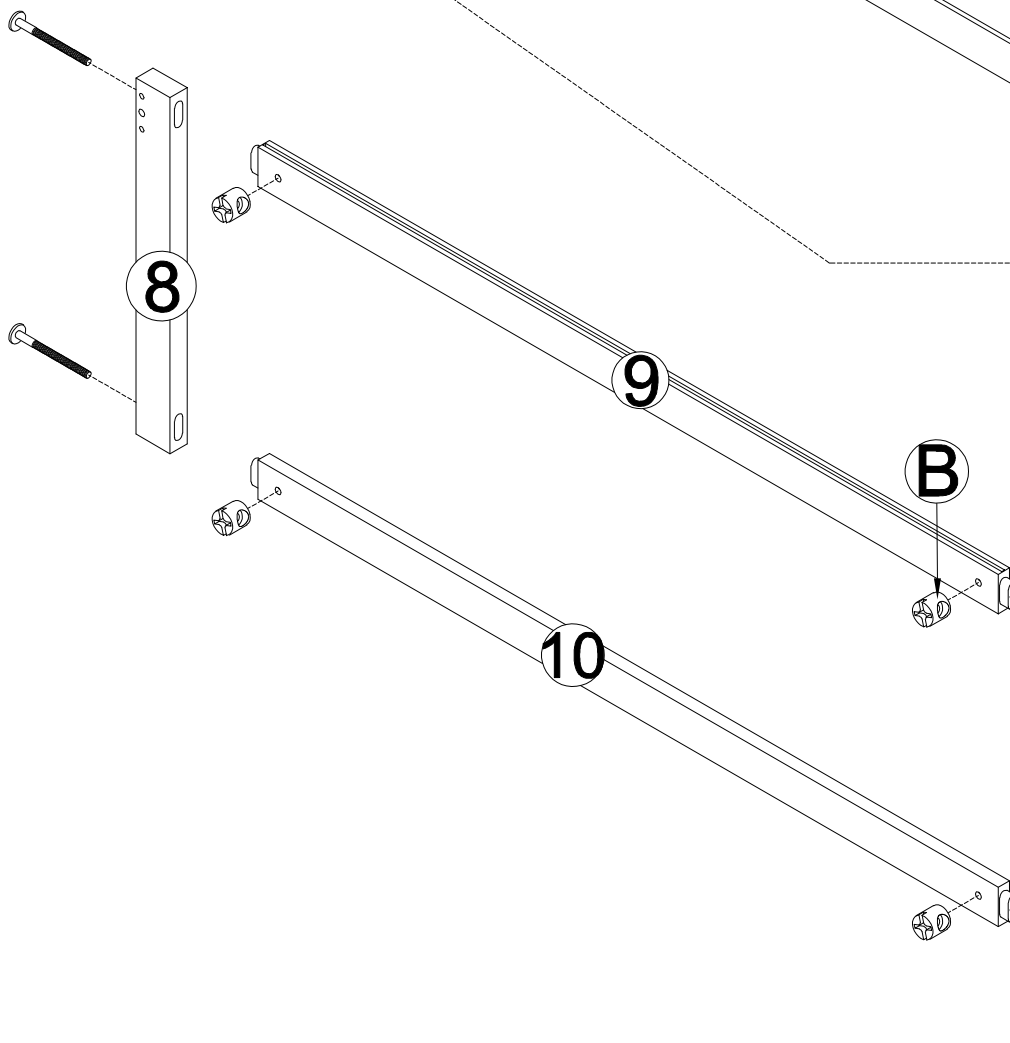
# STEP 1:

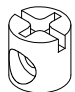
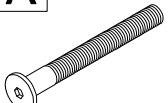
-Using HW #A,#B to connect 5,6 Legs with 9(x2),11 Wood Bars and 12(x2) Panes

<b>B</b>		<b>A</b>	
6pcs		6pcs	

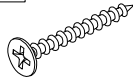
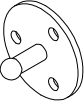


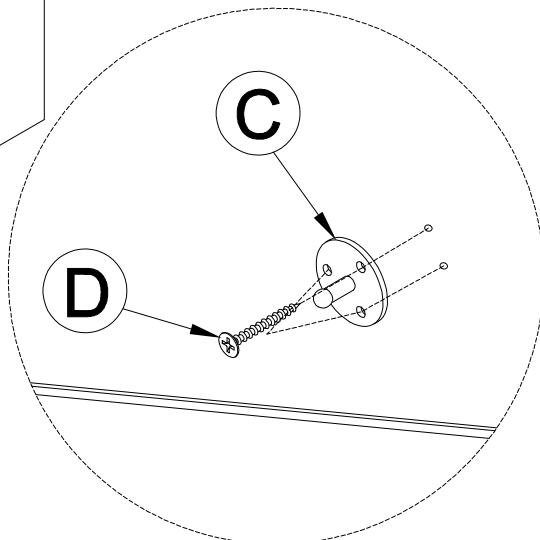
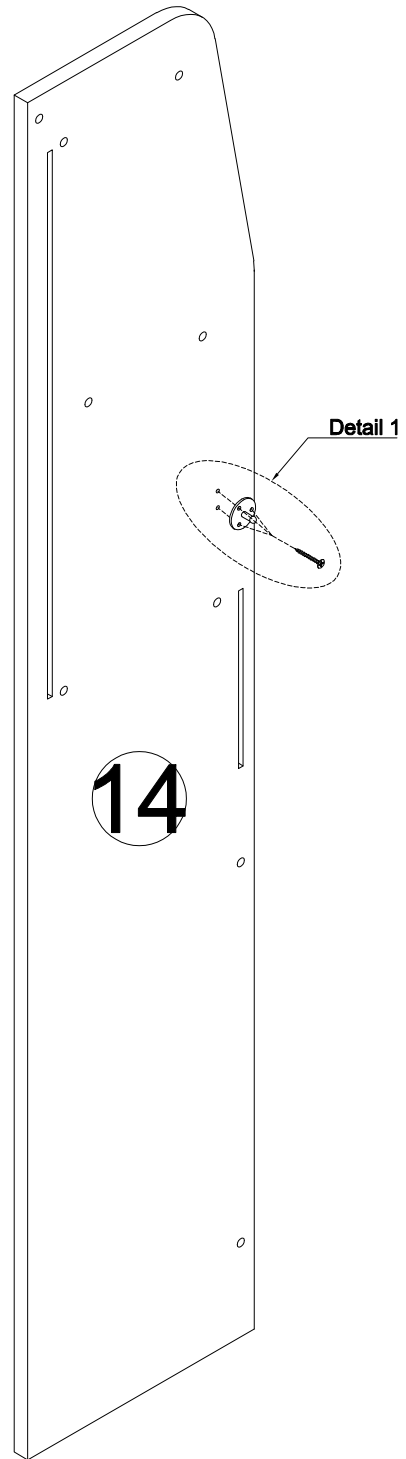
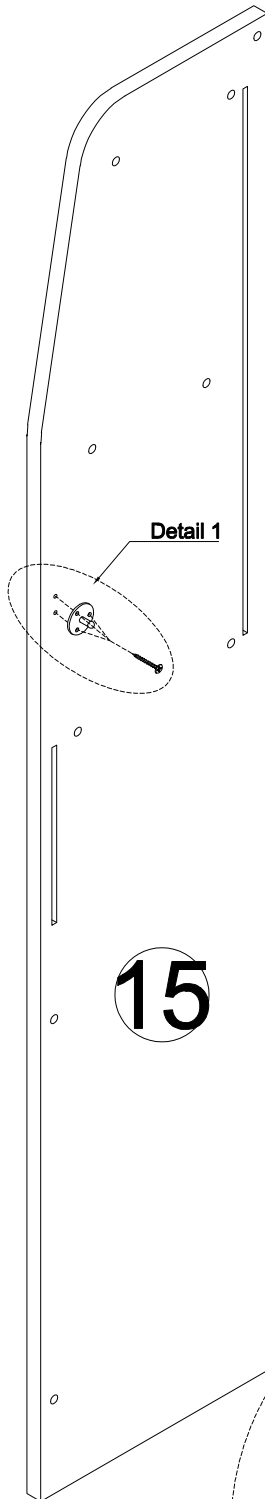
# STEP 2-1:



<b>B</b>		<b>A</b>	
4pcs		4pcs	

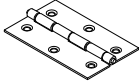
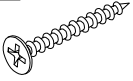
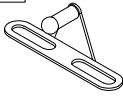
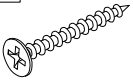
# STEP 2-2:

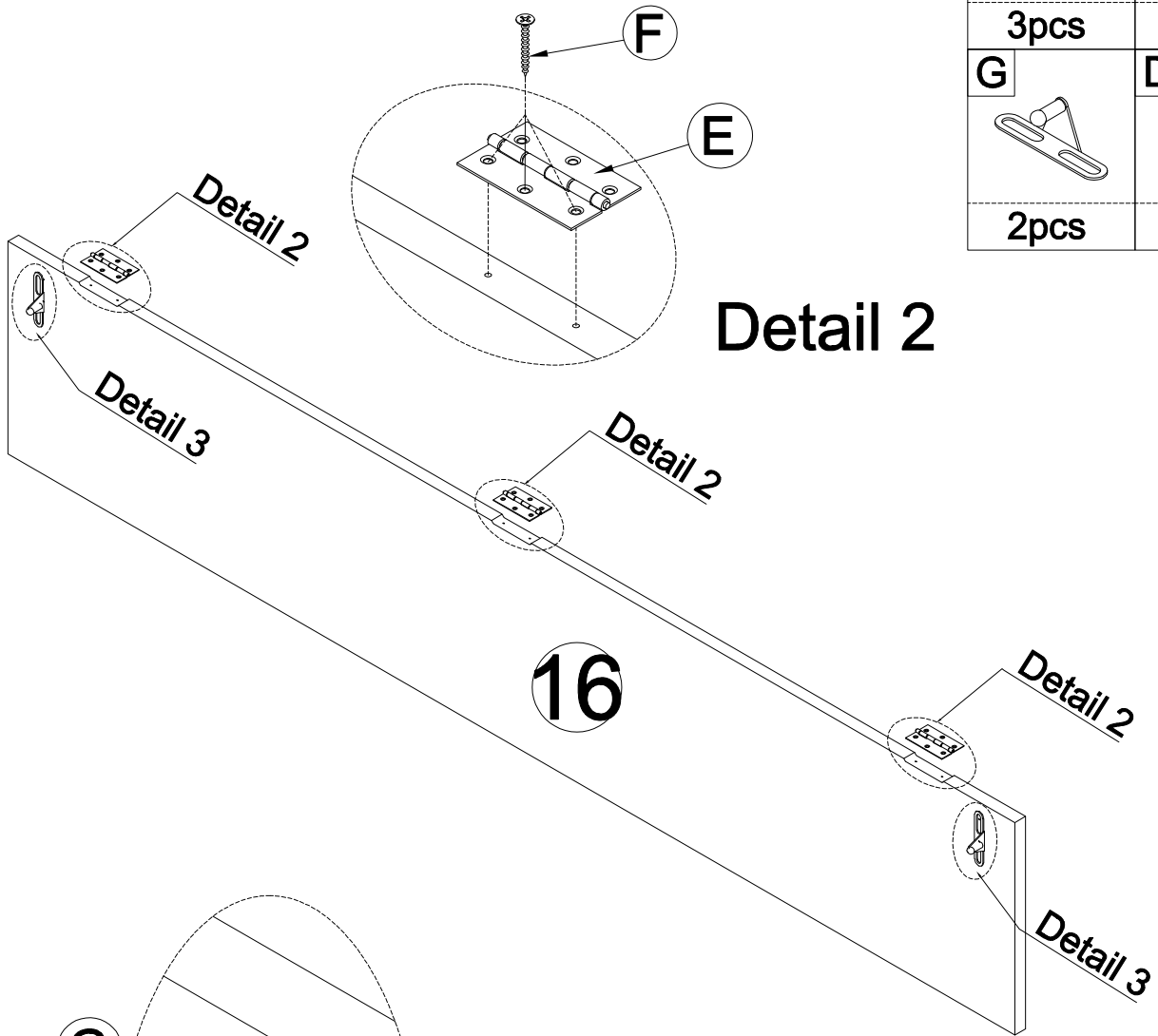
<b>D</b>		<b>C</b>	
<b>6pcs</b>		<b>2pcs</b>	



**Detail 1(x2)**

# STEP 2-3:

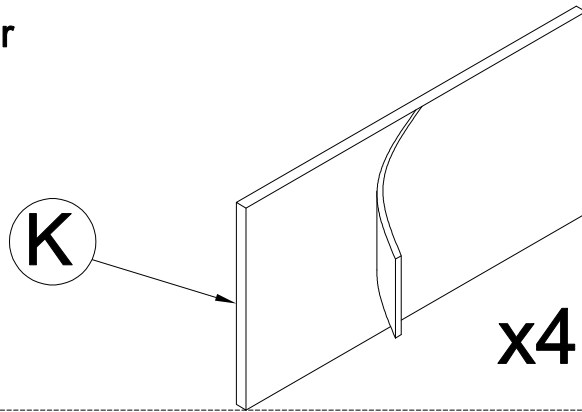
<b>E</b> 	<b>F</b> 
3pcs	9pcs
<b>G</b> 	<b>D</b> 
2pcs	4pcs



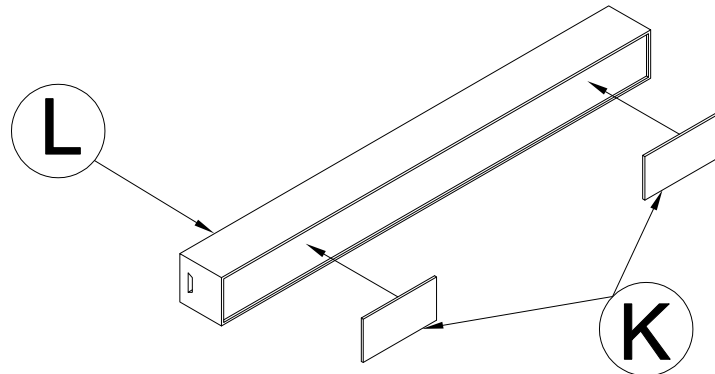
**Detail 2**

**Detail 3**

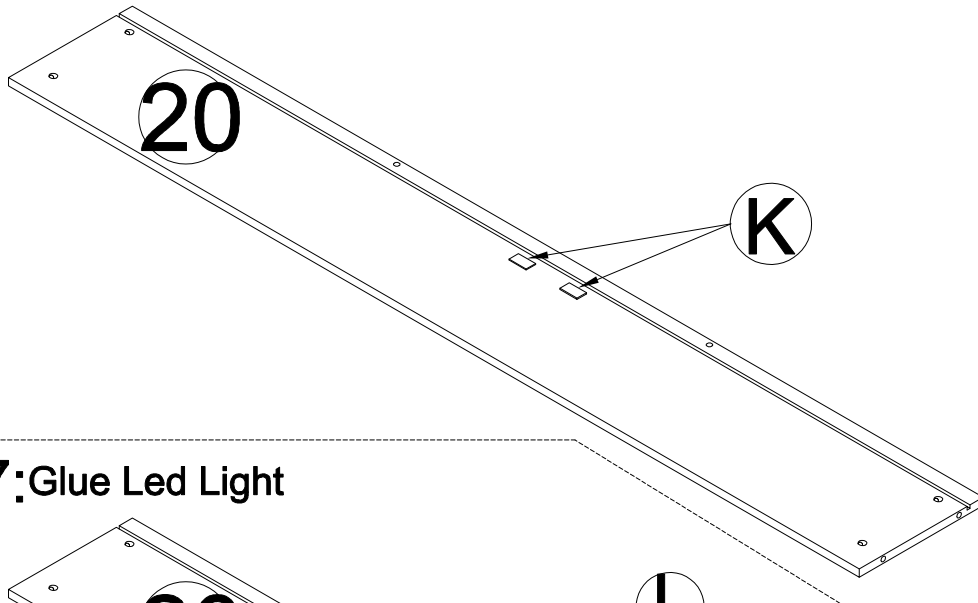
**STEP 2-4: Peel off the rubber**



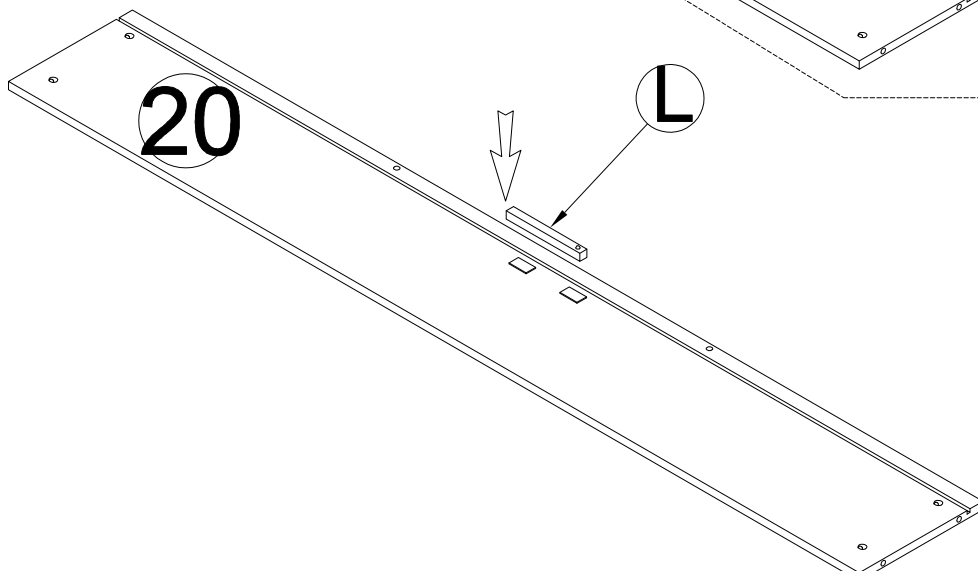
**STEP 2-5: Glue 2 magnets to the led light**



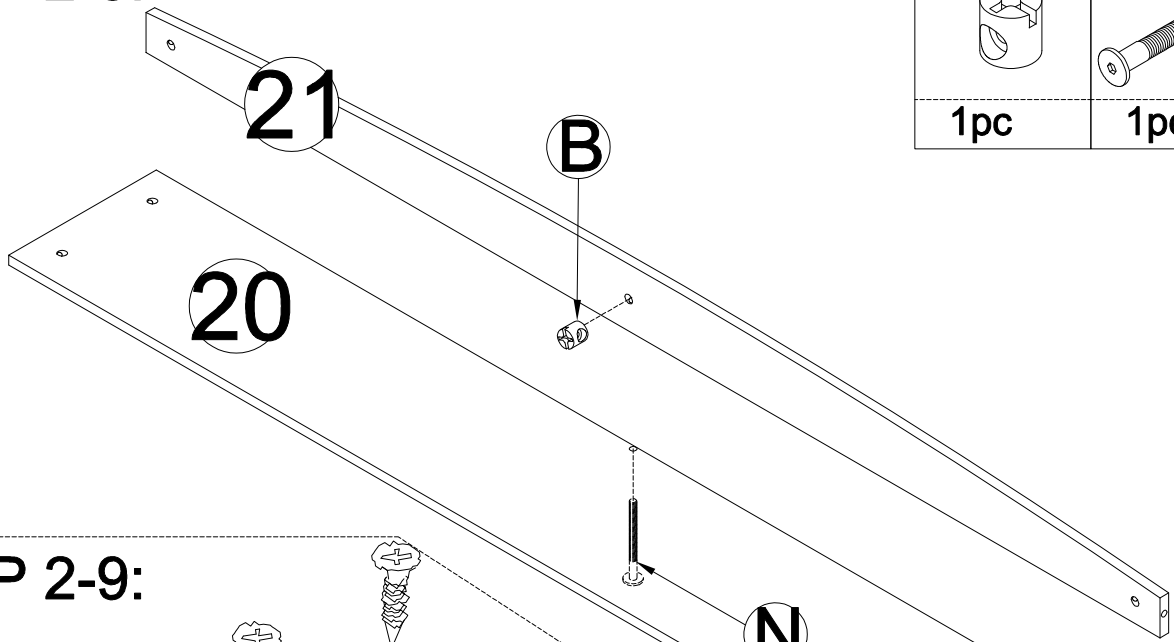
**STEP 2-6: Glue 2 magnets to the 20 Pane**

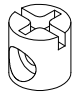
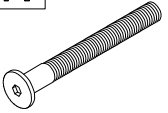


**STEP 2-7: Glue Led Light**

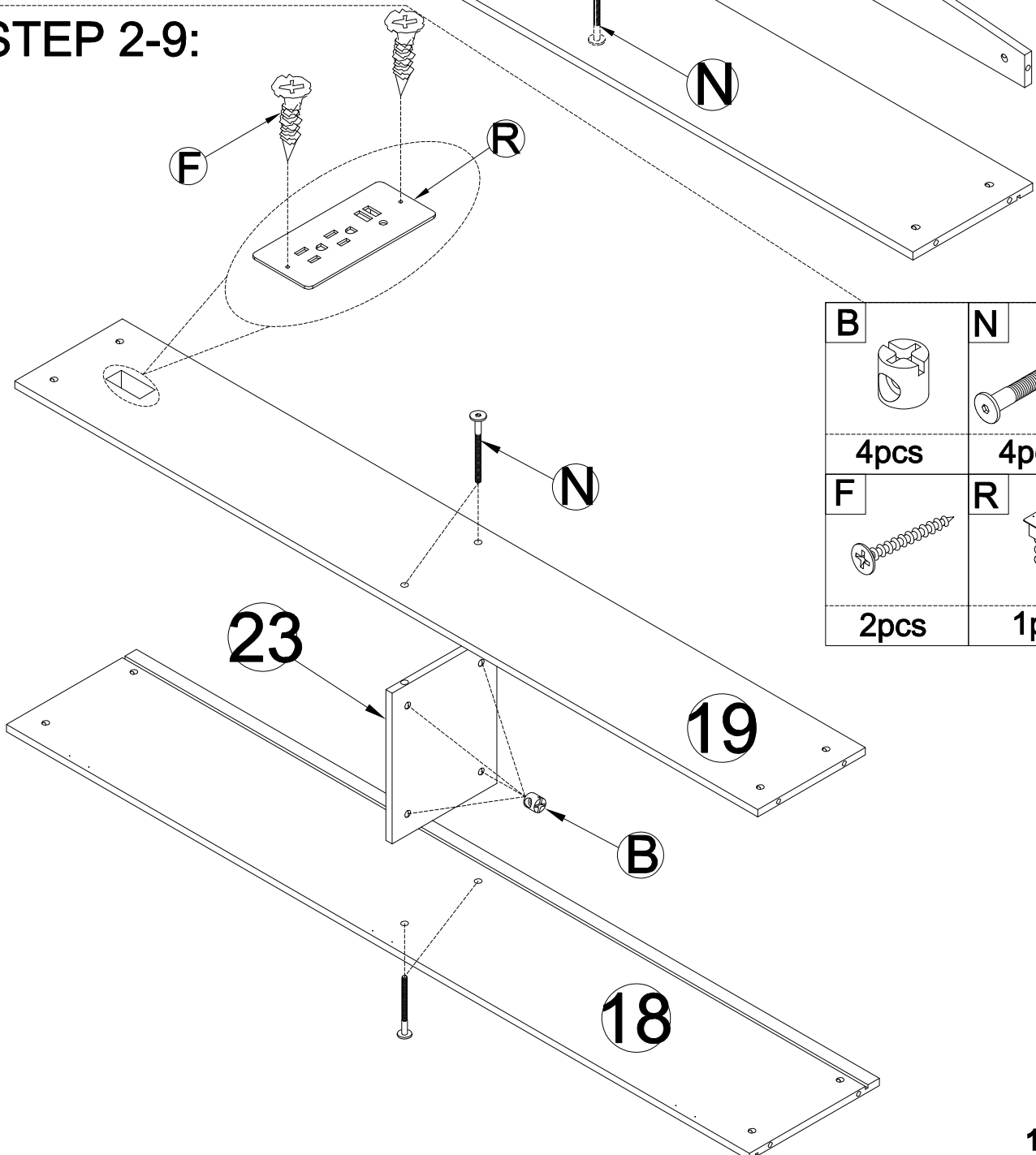



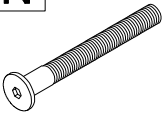
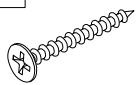
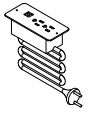
**STEP 2-8:**



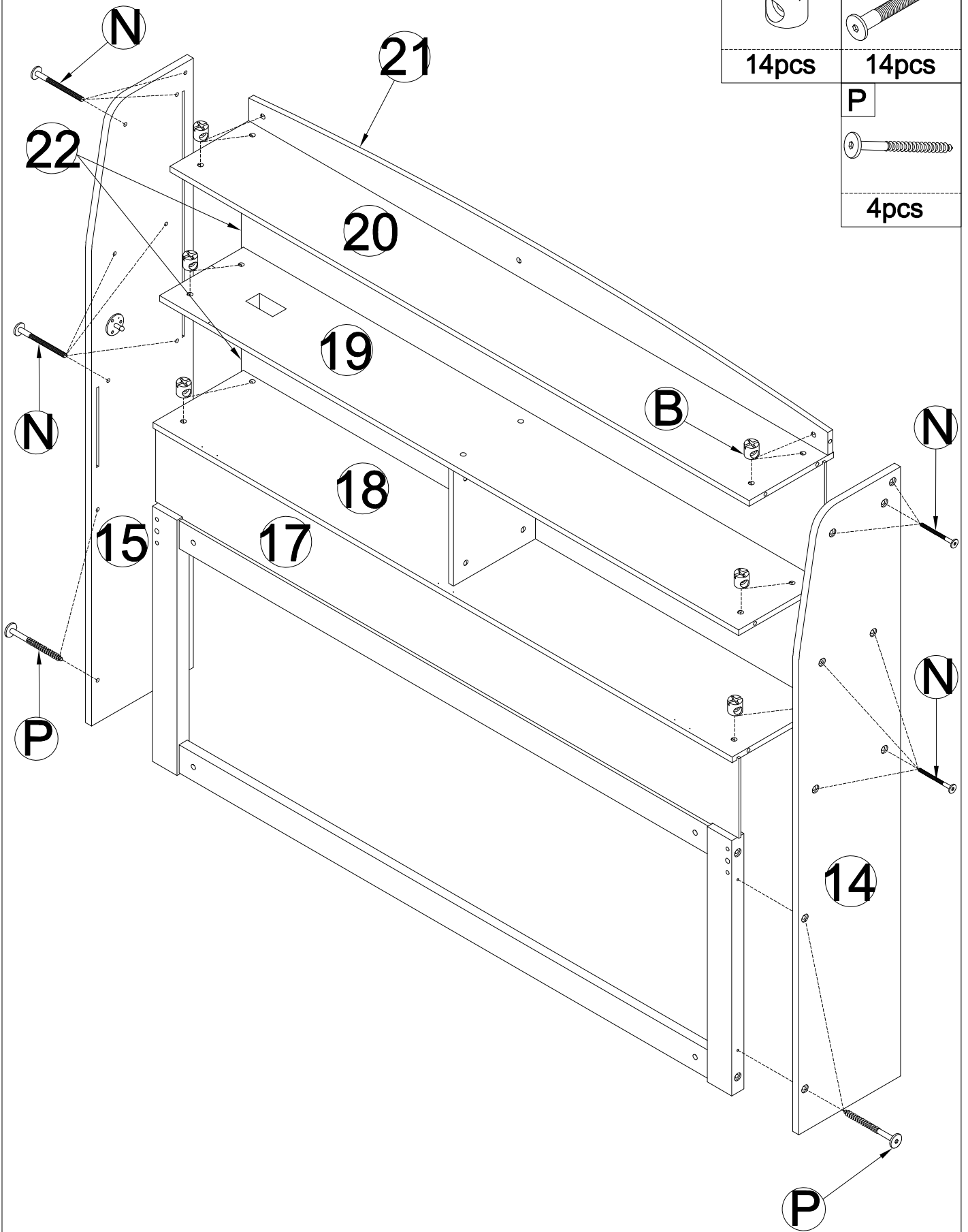
<b>B</b>		<b>N</b>	
	1pc		1pc

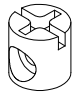
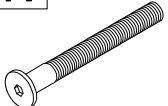

**STEP 2-9:**



<b>B</b>		<b>N</b>	
	4pcs		4pcs
<b>F</b>		<b>R</b>	
	2pcs		1pc

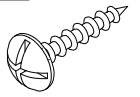
# STEP 2-10:



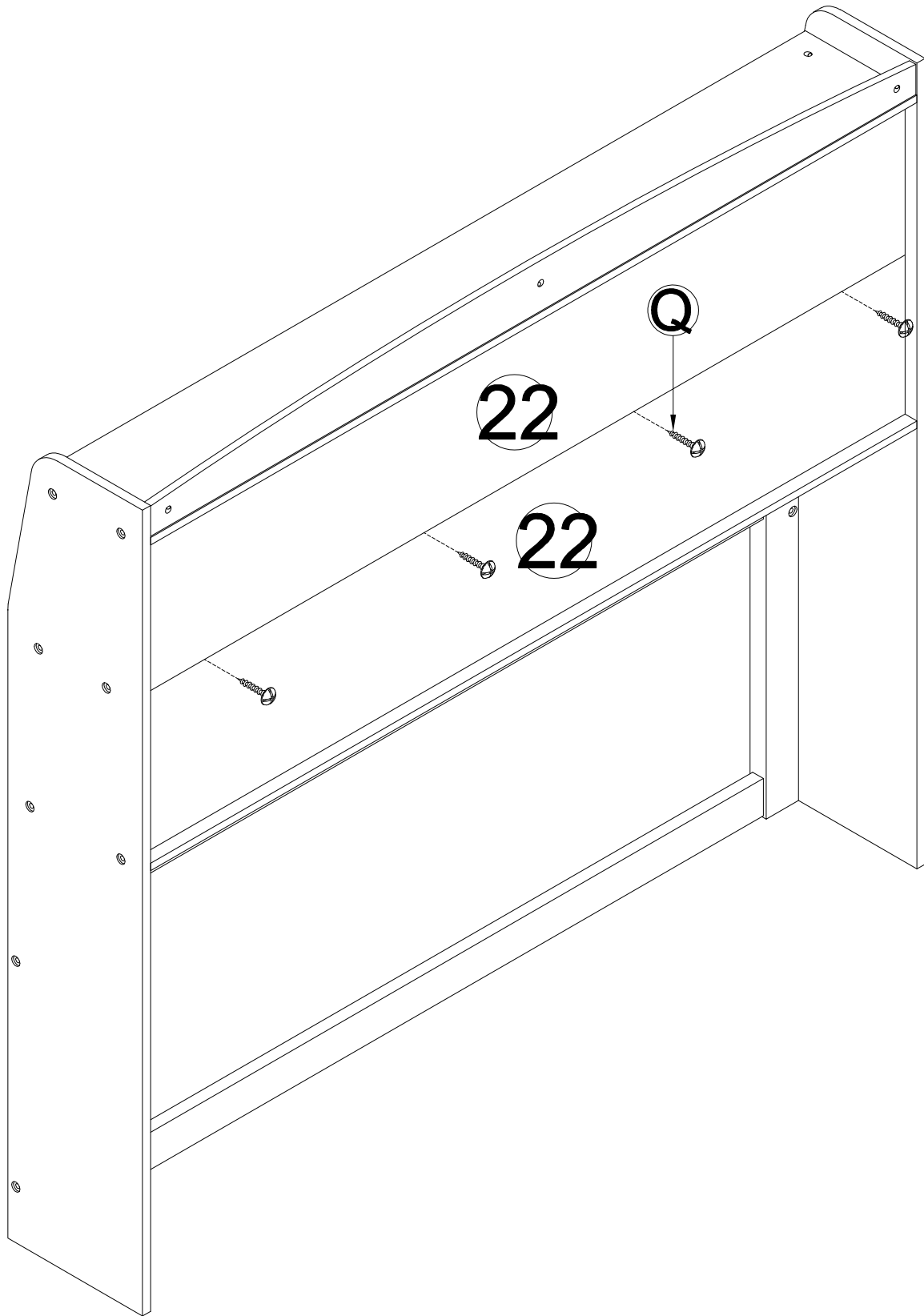
<b>B</b>		<b>N</b>	
	14pcs		14pcs
		<b>P</b>	
			4pcs

# STEP 2-11:

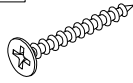
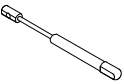
Q

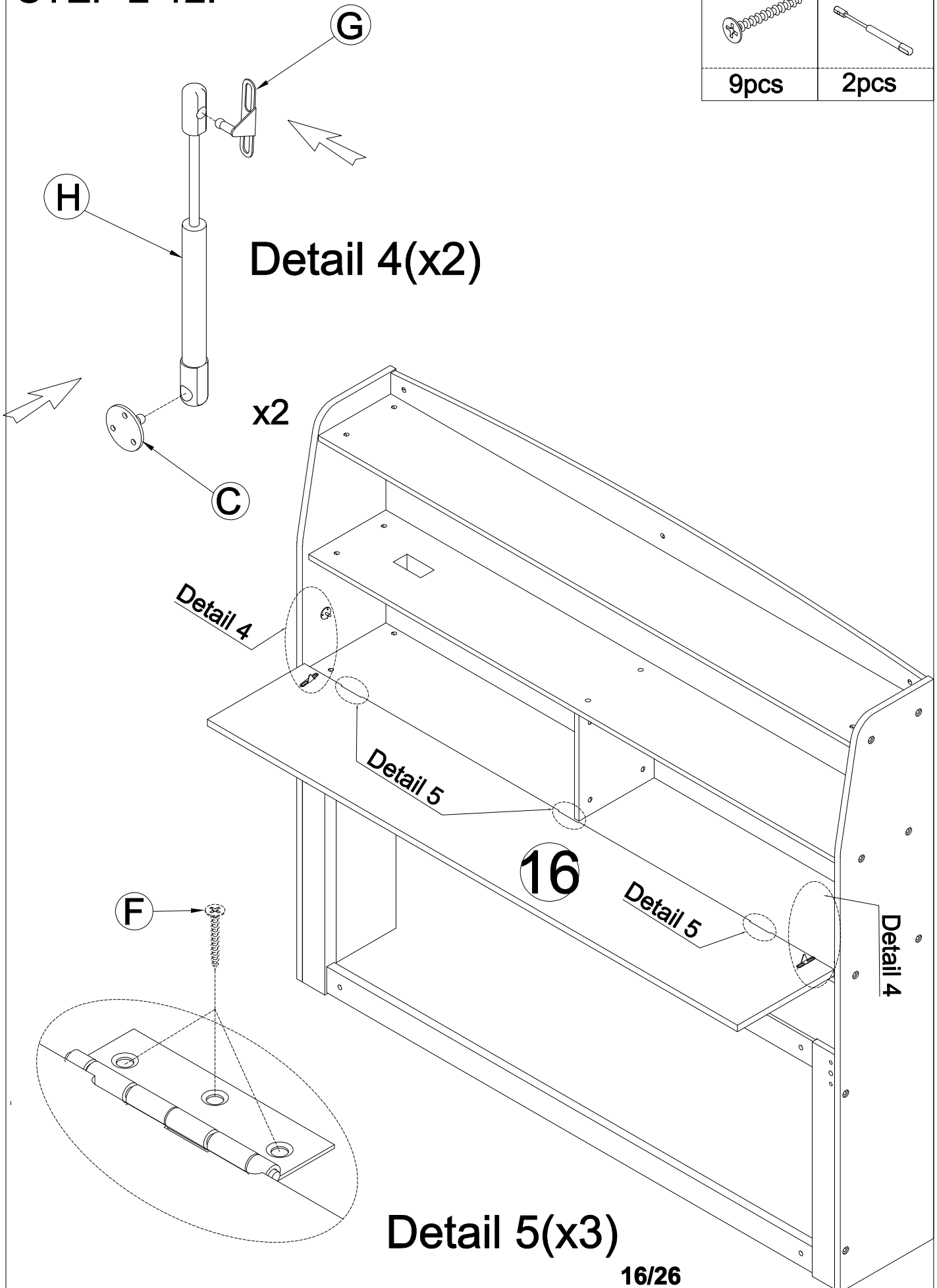


4pcs



# STEP 2-12:

<b>F</b>		<b>H</b>	
	9pcs		2pcs


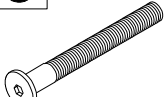
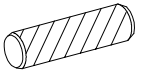
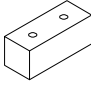
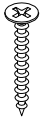


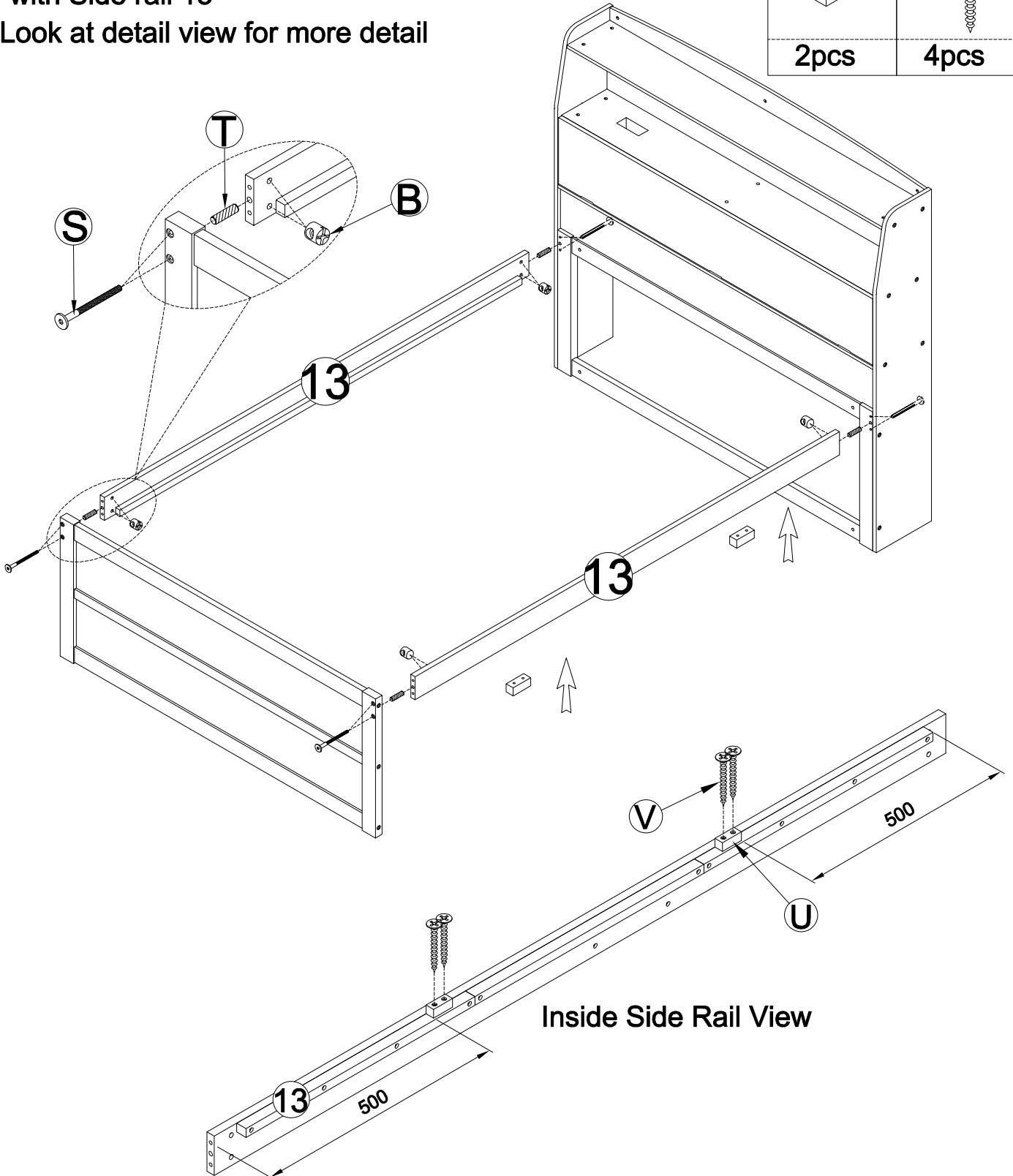
# STEP 3:

-Using HW #B,#S and dowel #T to Connect Frames(completed in step 1,step 2-12) with Side rail 13(x2)


-Using HW #U to Connect Stop Trundle V(x2) with Side rail 13

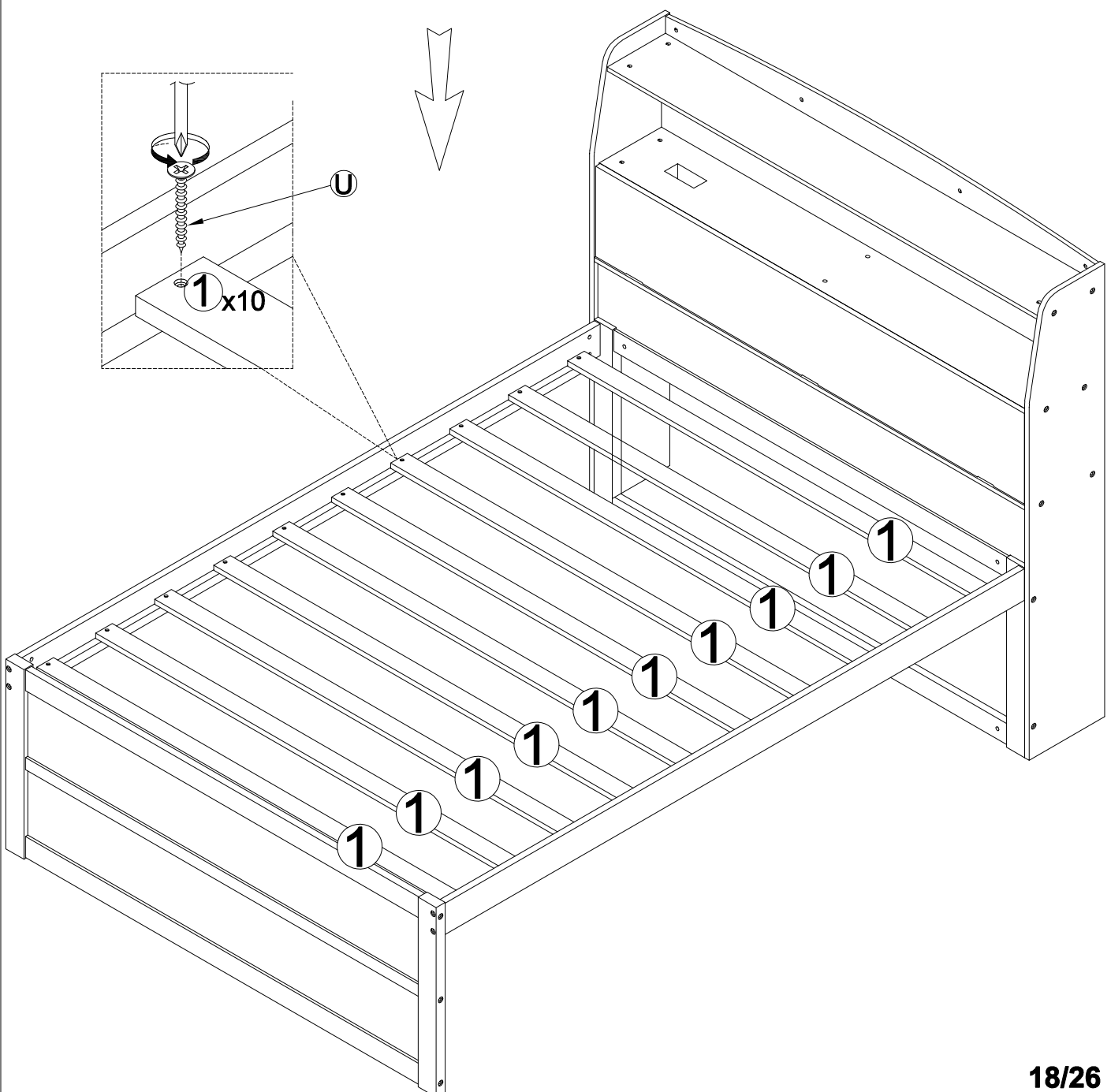
Look at detail view for more detail

<b>B</b> 	<b>S</b> 	<b>T</b> 
8pcs	8pcs	4pcs
<b>V</b> 	<b>U</b> 	
2pcs	4pcs	

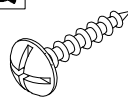
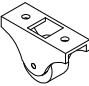

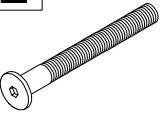


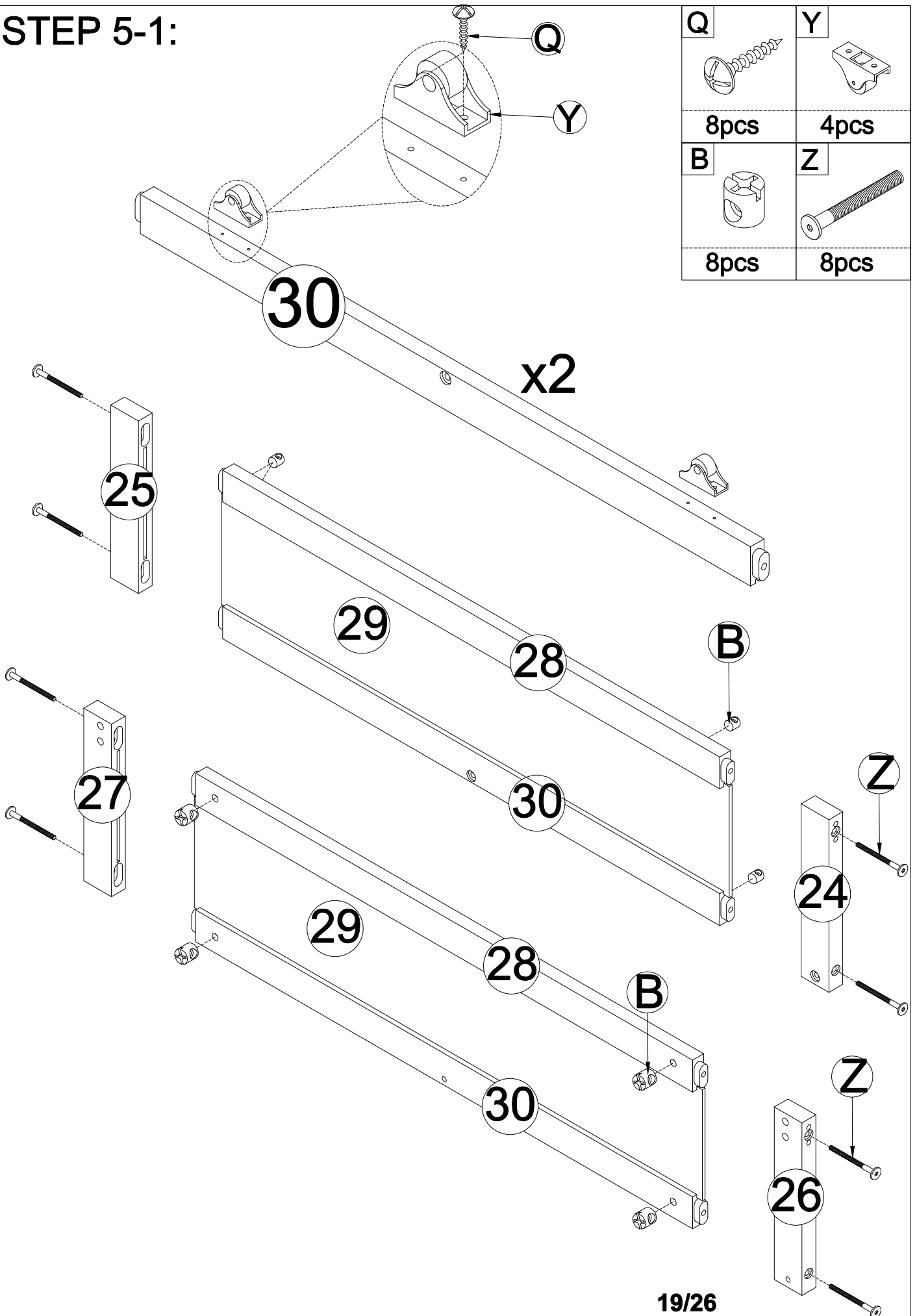
# STEP 4:

U	
20 pcs	

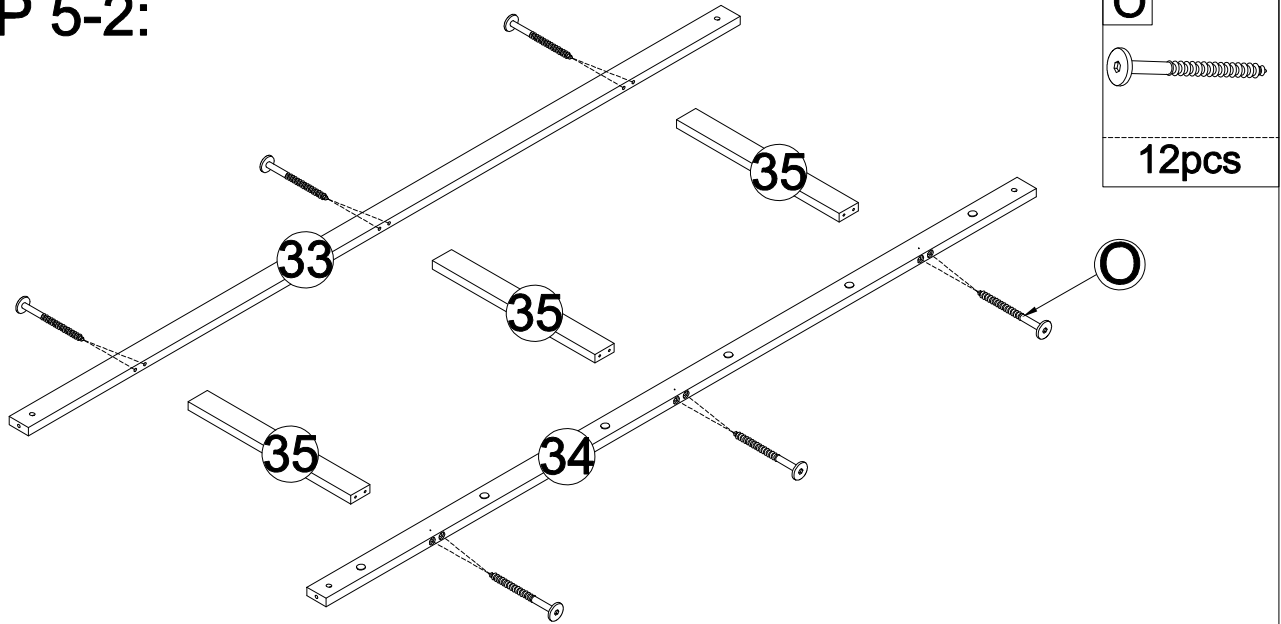


# STEP 5-1:

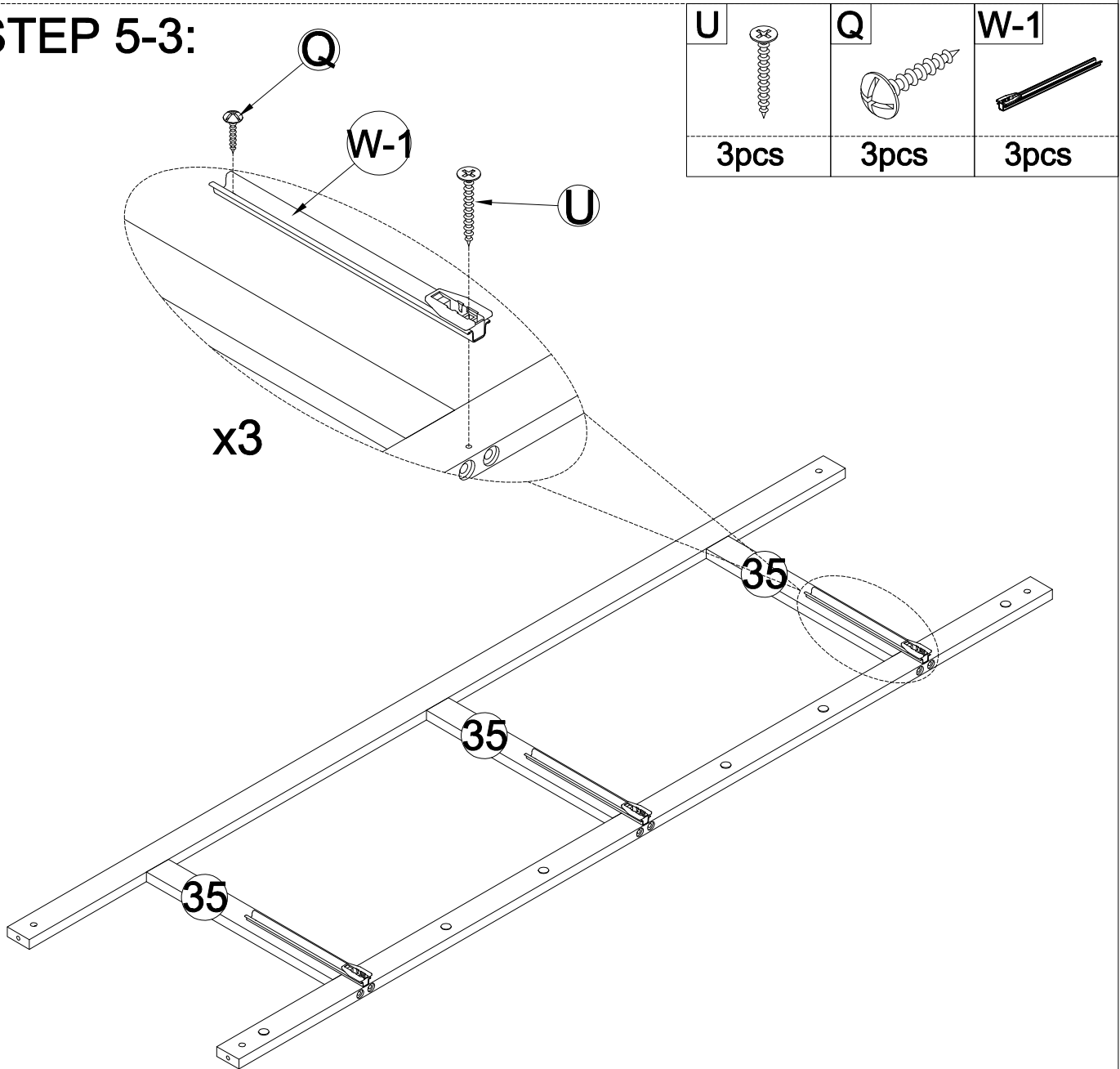
<b>Q</b> 	<b>Y</b> 
<b>8pcs</b>	<b>4pcs</b>
<b>B</b> 	<b>Z</b> 
<b>8pcs</b>	<b>8pcs</b>



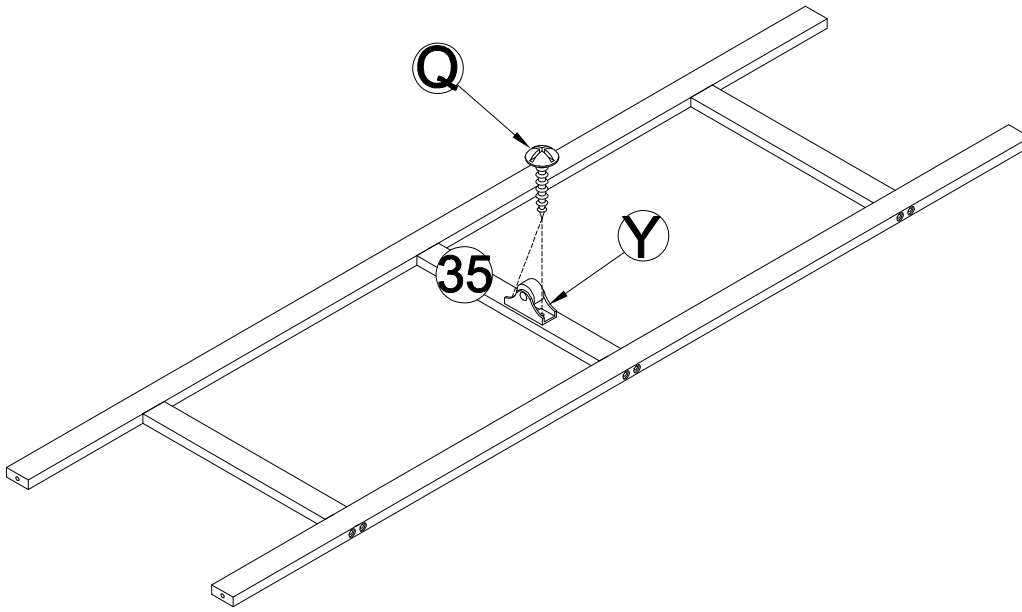
# STEP 5-2:

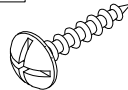
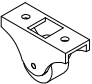


# STEP 5-3:

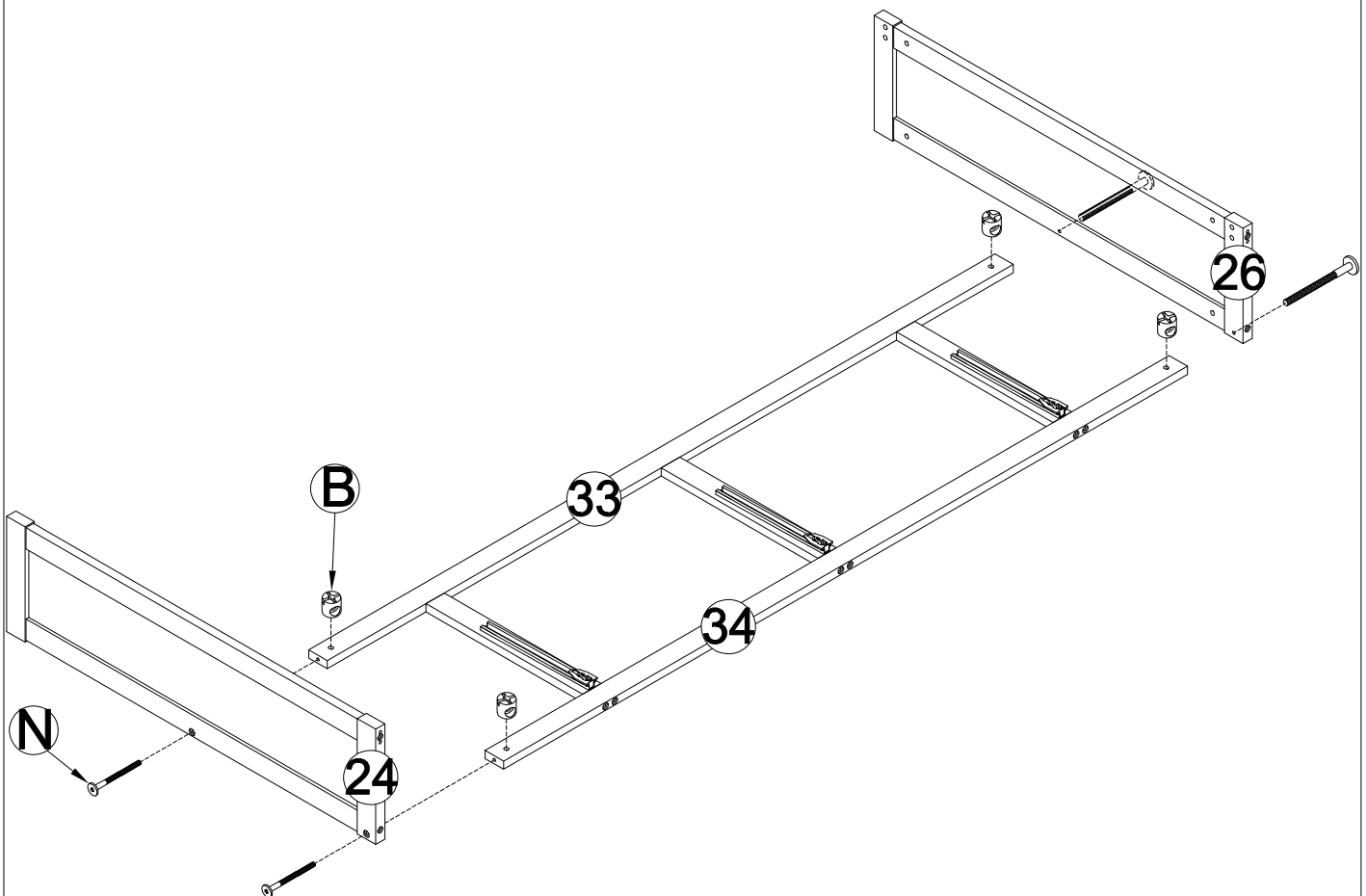



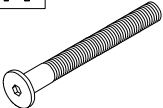
# STEP 5-4:



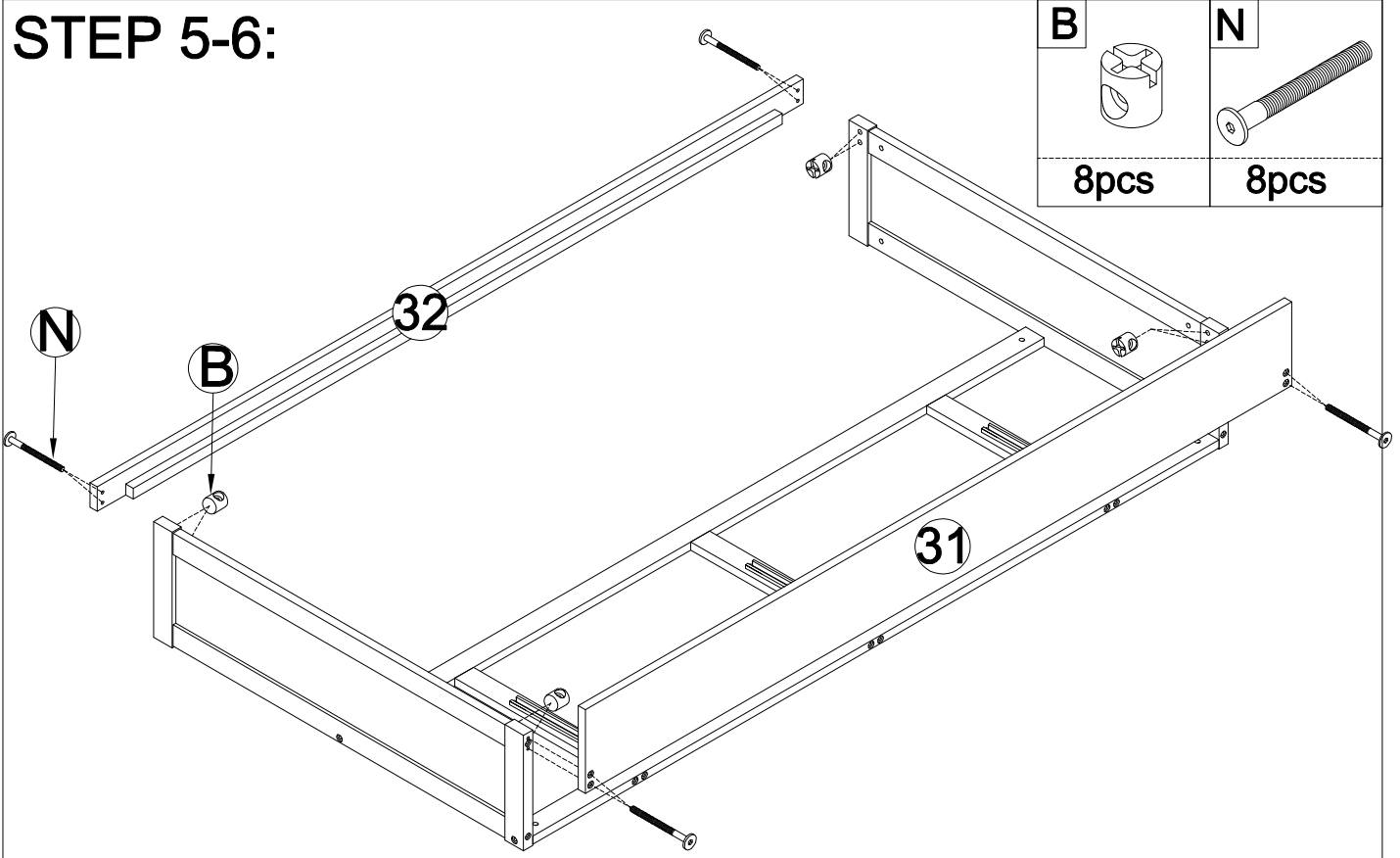
<b>Q</b>		<b>Y</b>	
	2pcs		1pc

# STEP 5-5:

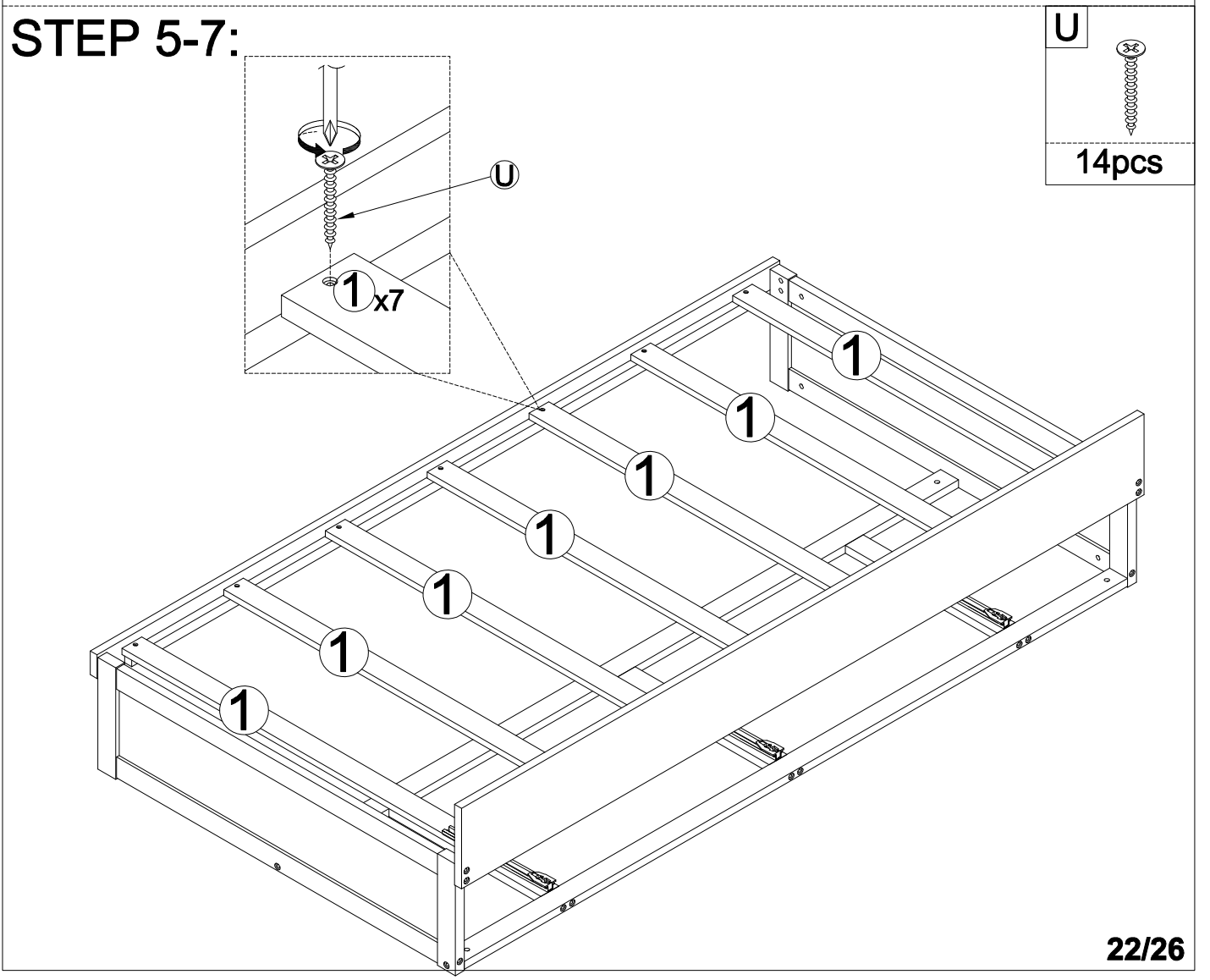


<b>B</b>		<b>N</b>	
	4pcs		4pcs

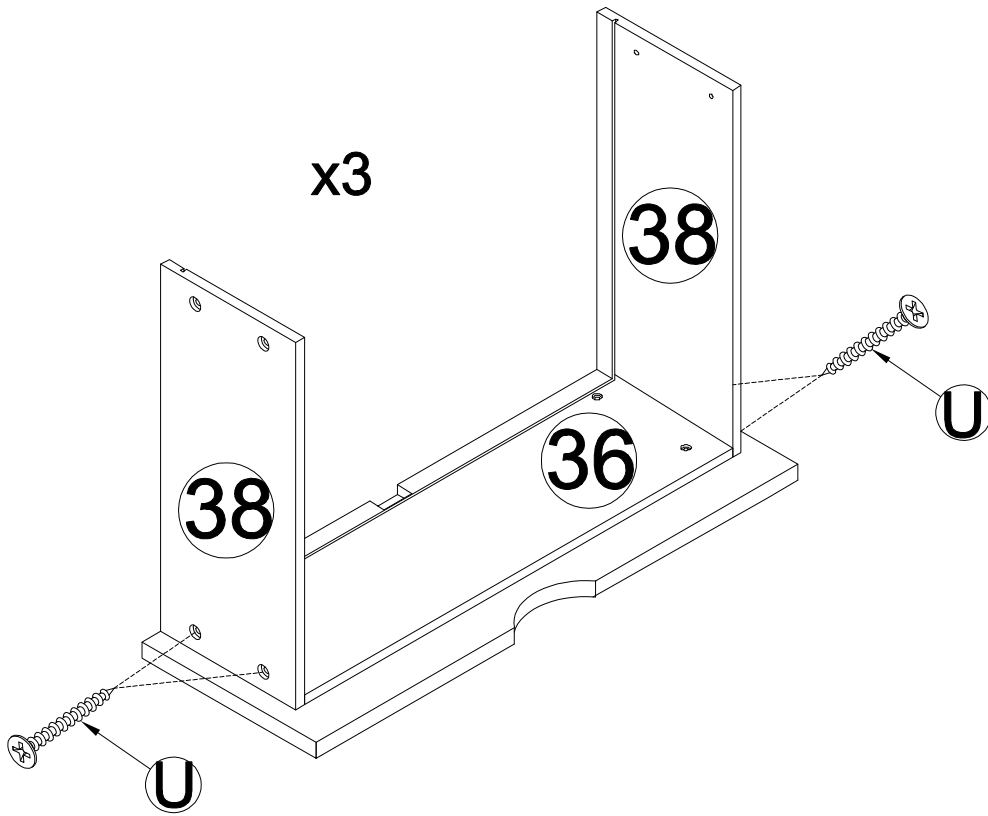
# STEP 5-6:



# STEP 5-7:

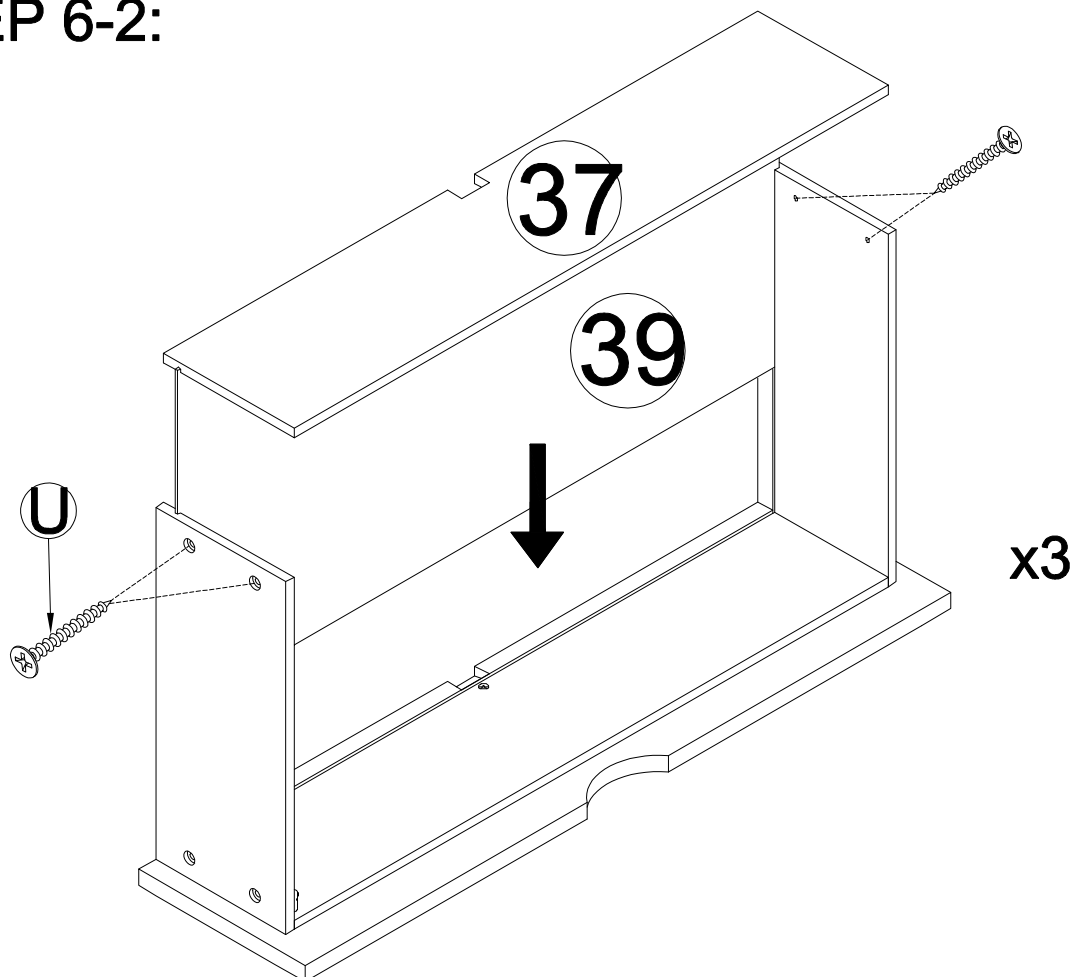


# STEP 6-1:





U	
4x3pcs	

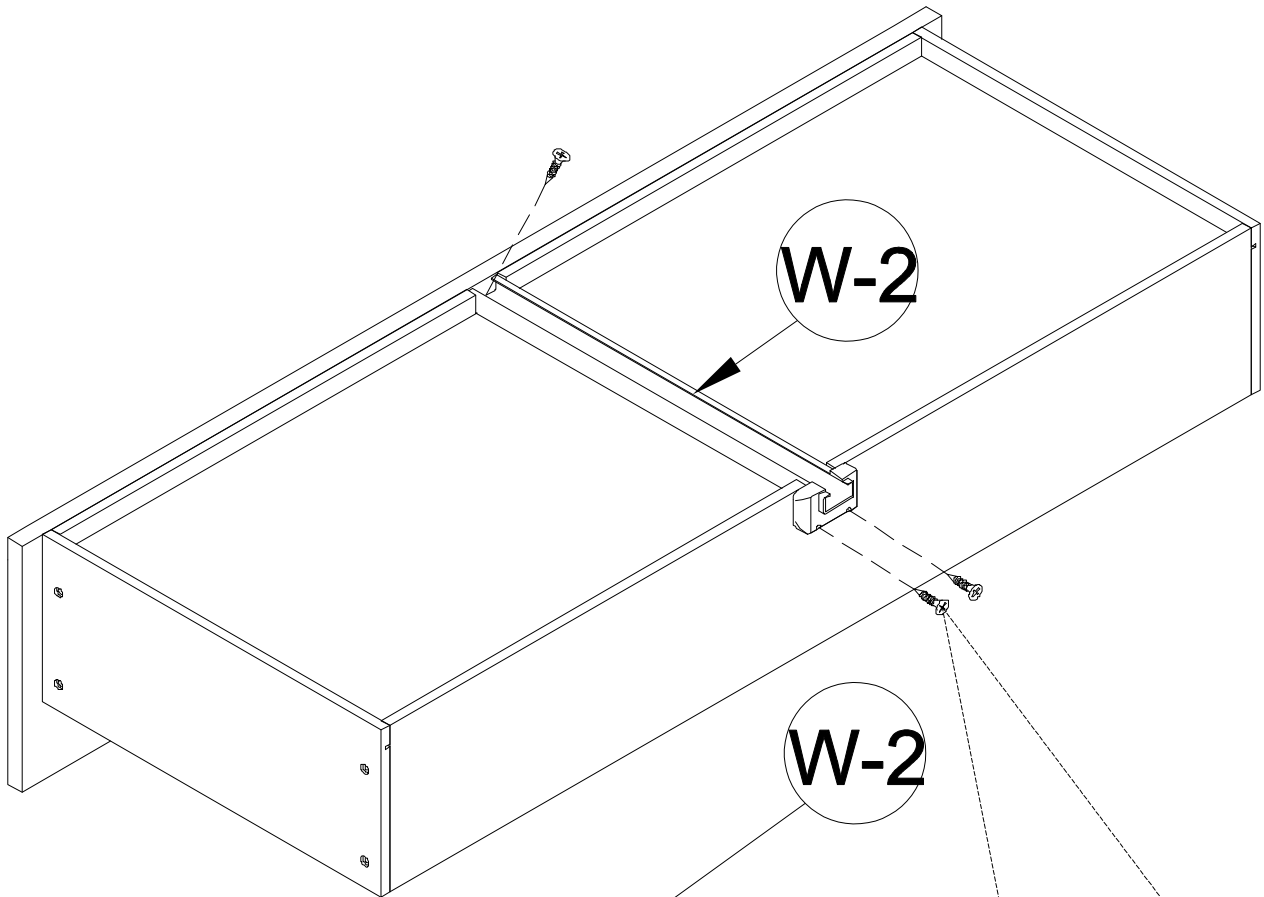
# STEP 6-2:



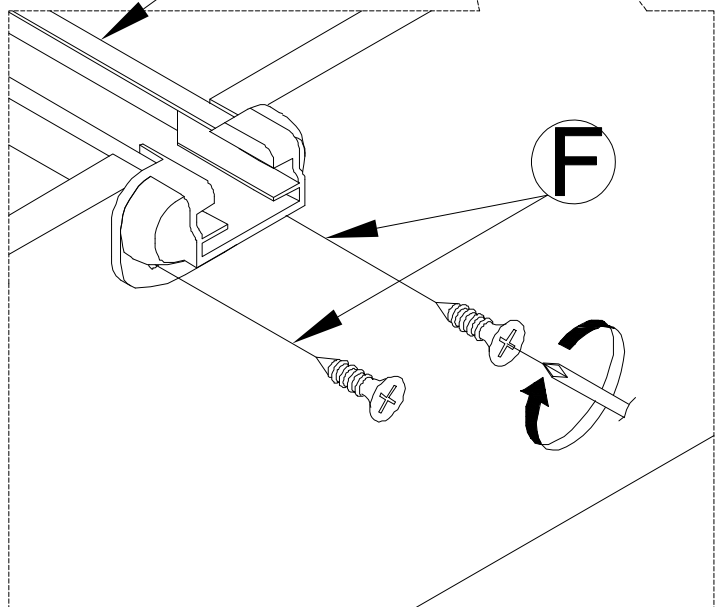
U	
4x3pcs	

# STEP 6-3:

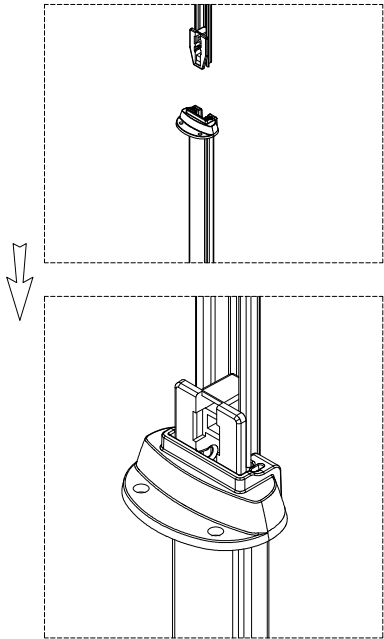
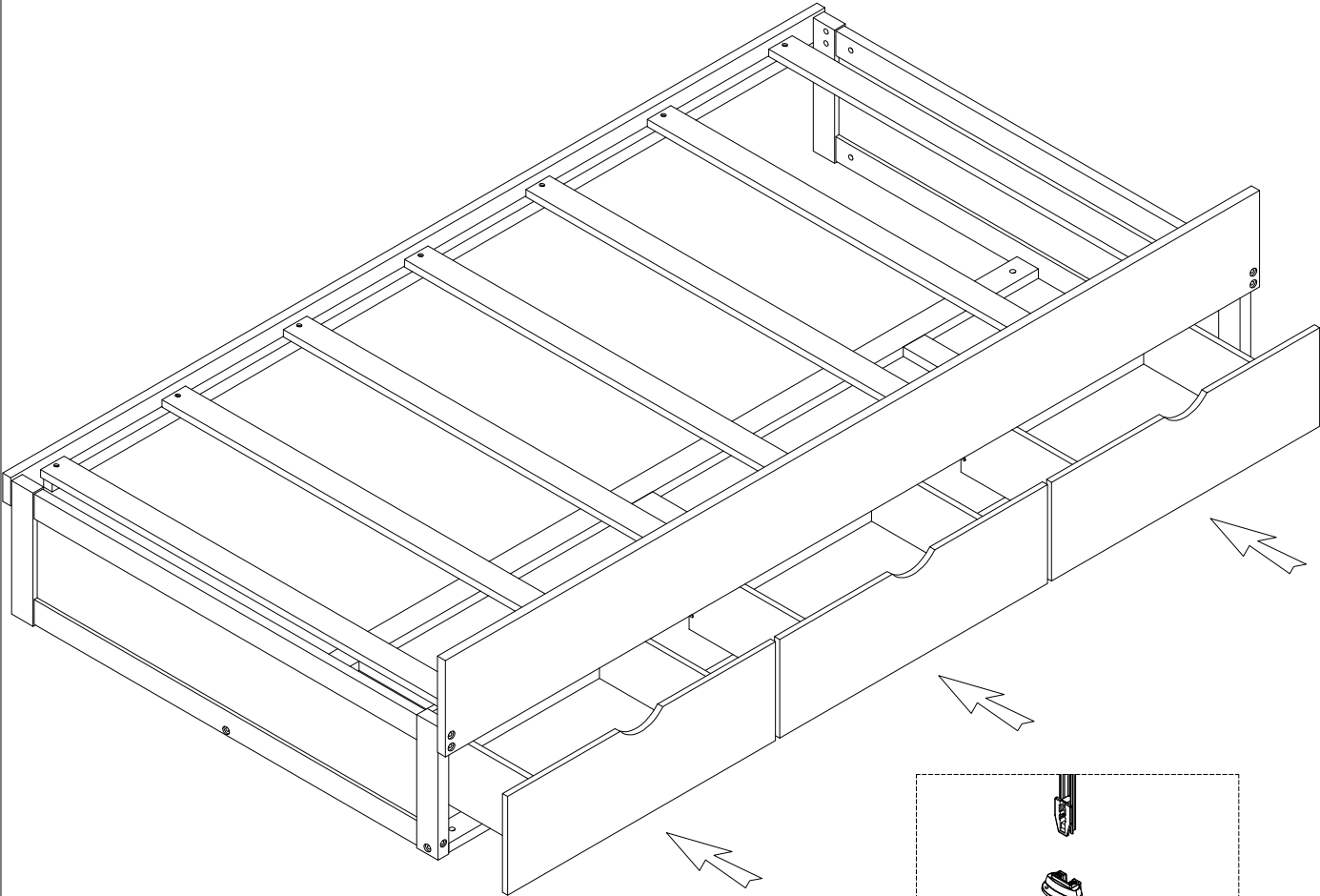
<b>W-2</b>	<b>F</b>
	
1x3pcs	3x3pcs



x3



# STEP 7: Push 3 Drawers into position



**CONGRARULATION. YOU HAVE COMPLETED THE BED**  
**Push Trundle into position**

