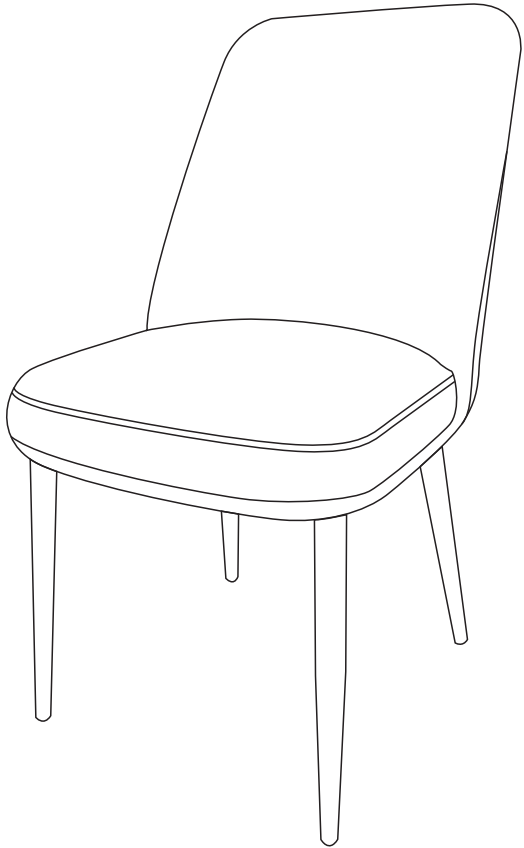
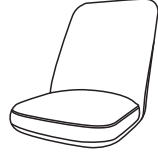
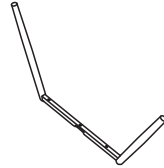
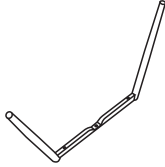


ASSEMBLY INSTRUCTION





Dining Chair



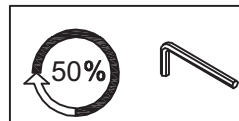
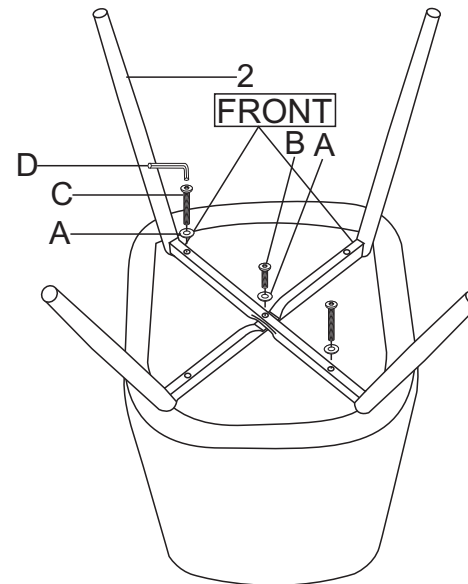
Component List

LABEL		DESCRIPTION	QTY
1		Seat	1
2		Leg	1
3		Leg	1

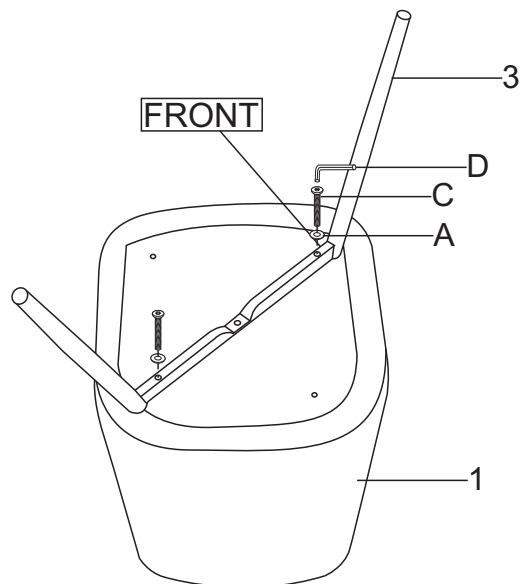
Hardware List

LABEL		DESCRIPTION	QTY
A		Screw	5
B		Bolt (M6*30mm)	1
C		Bolt (M6*55mm)	4
D		Allen Wrench	1

②



①



③

Ensure that each screw is tightened

