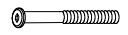









ASSEMBLY INSTRUCTION

DESCRIPTION : TRESTLE TABLE TOP / TRESTLE TABLE BASE

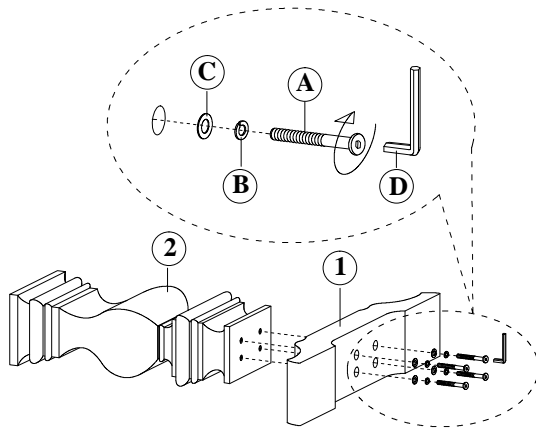
Thank you for purchasing this quality product. Be sure to check all packing material carefully for small Hardware which may have come loose inside the carton during shipment. Identify and count all Hardware and compare with the Hardware List Below.

PART LIST		
①	Bottom Leg	2 Pcs
②	Center Support Leg	2 Pcs
③	Top Rails	2 Pcs
④	Table Top	1 Pc

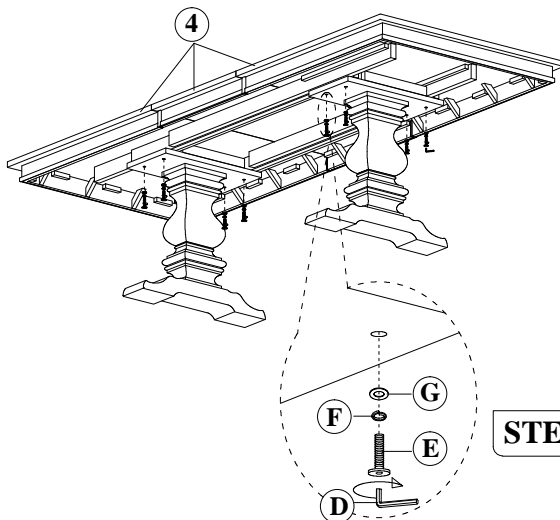
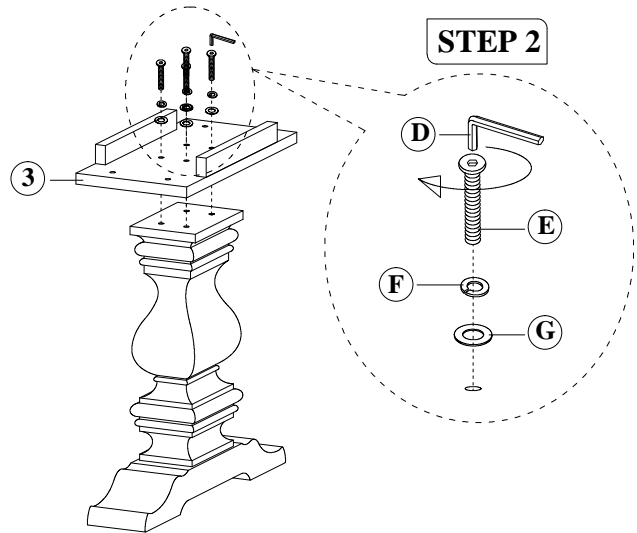
HARDWARE LIST (Packed Inside 242-P4206)			
Ⓐ	JCBC Screw Ø5/16" x 3 1/4"		8 Pcs
Ⓑ	Spring Washer Ø5/16"		8 Pcs
Ⓒ	Flat Washer Ø5/16" x 19mm x 2mm		8 Pcs
Ⓓ	Allen Key		1 Pc

HARDWARE LIST (Packed Inside 242-T4206)			
Ⓔ	JCBC Screw Ø5/16" x 2"		16 Pcs
Ⓕ	Spring Washer Ø5/16"		16 Pcs
Ⓖ	Flat Washer Ø5/16" x 19mm x 2mm		16 Pcs
Ⓓ	Allen Key		1 Pc

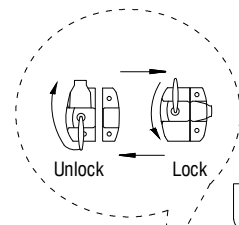
STEP 1



STEP 2



STEP 3



STEP 4

