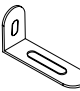
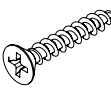
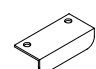


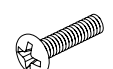
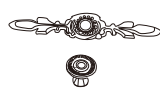
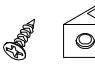
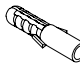
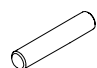

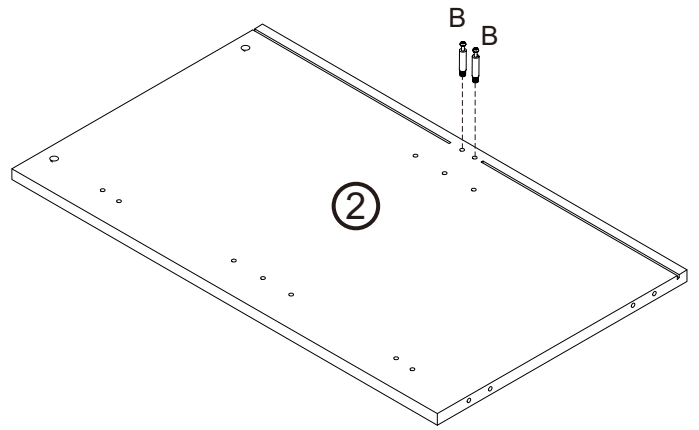
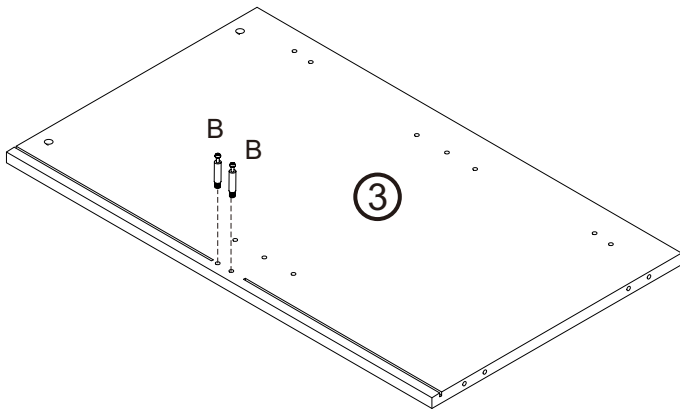

Ax14	Bx14	Cx12	Dx8	Ex2	Fx4
					
Gx2	Hx12	Ix2	Jx48	Kx8	Lx4
					
Mx4	Nx16	Ox2	Px8	Qx4	

Step 1



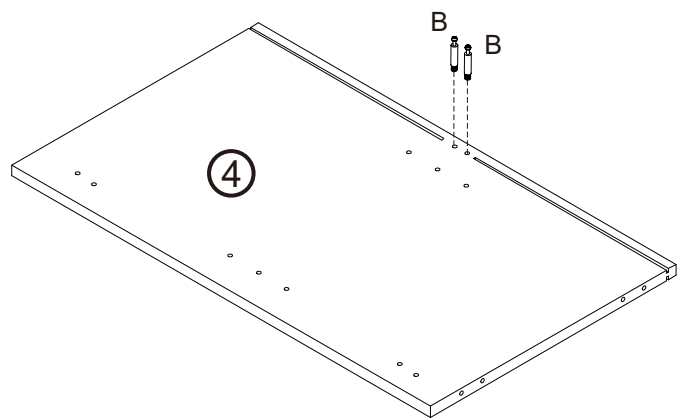
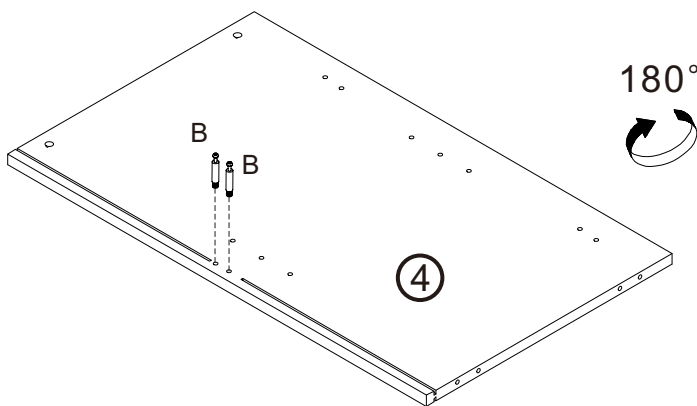
Bx4



Step 2



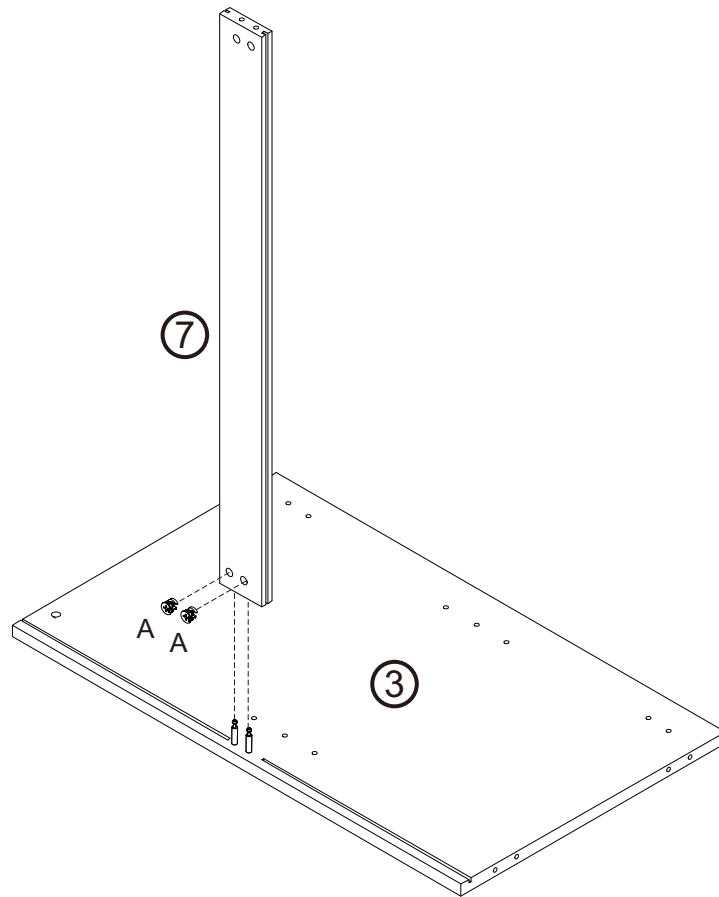
Bx4



Step 3



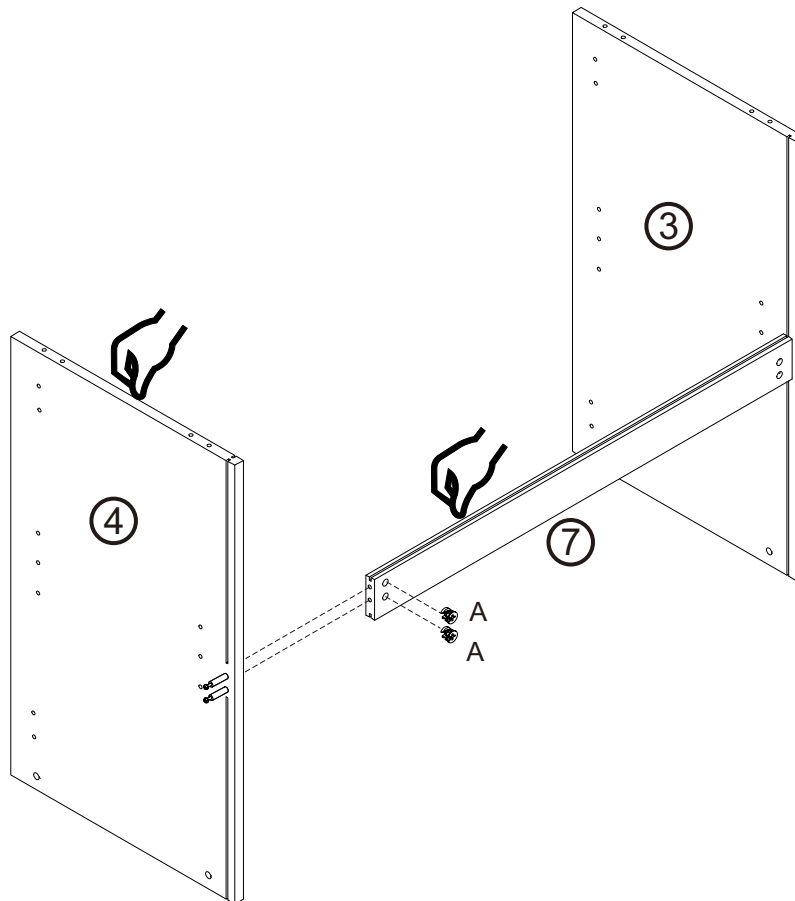
Ax2



Step 4



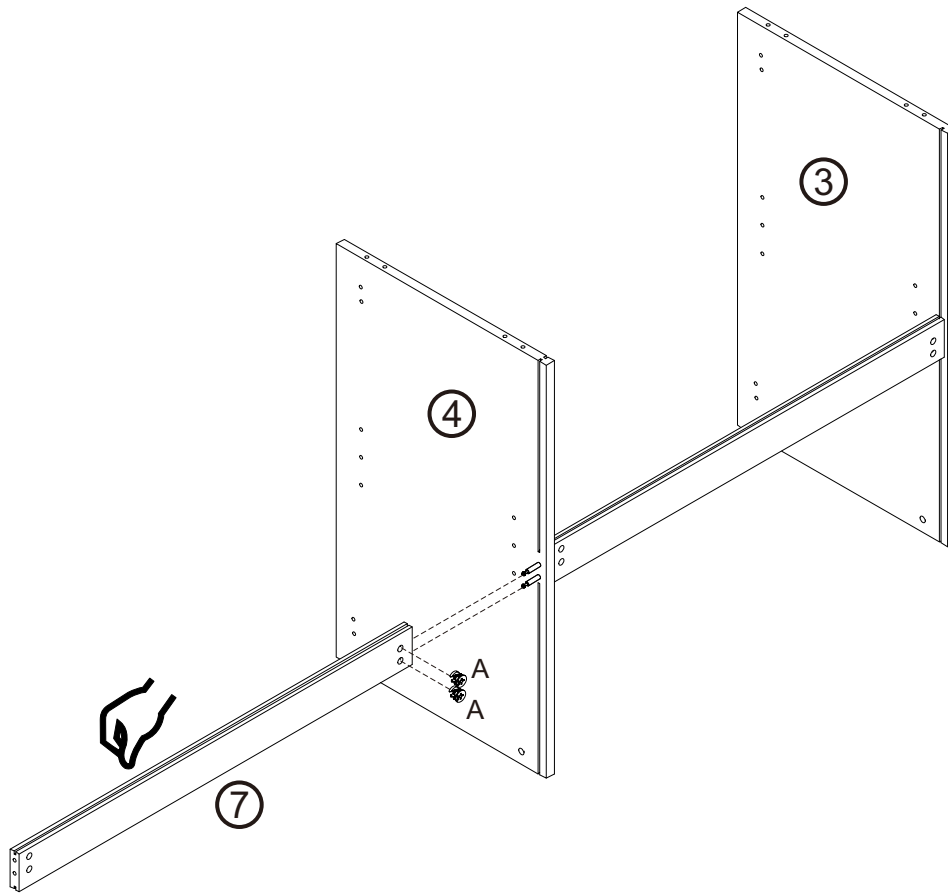
Ax2



Step 5



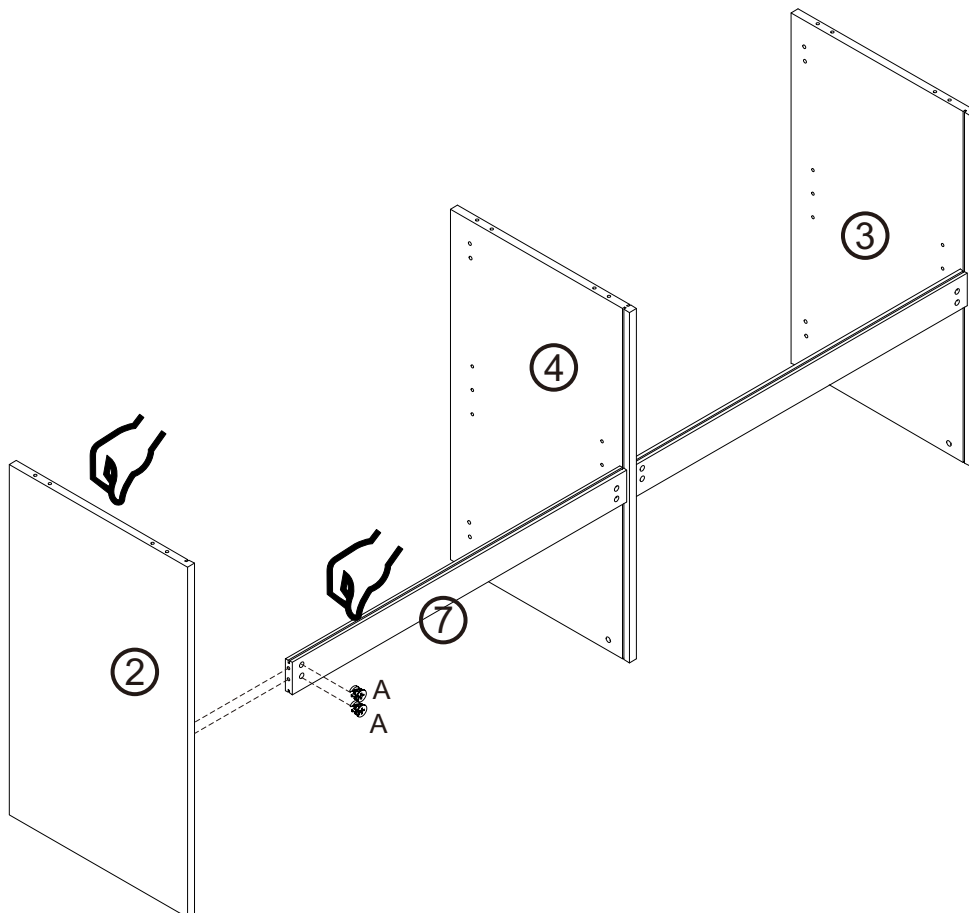
Ax2



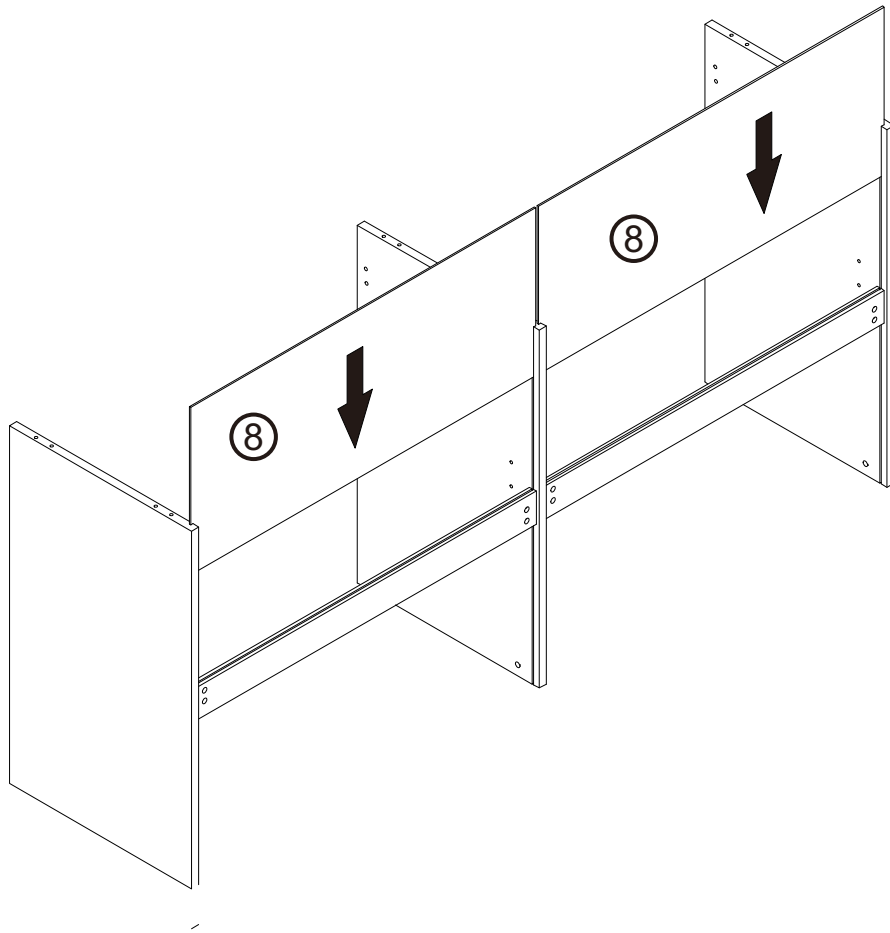
Step 6



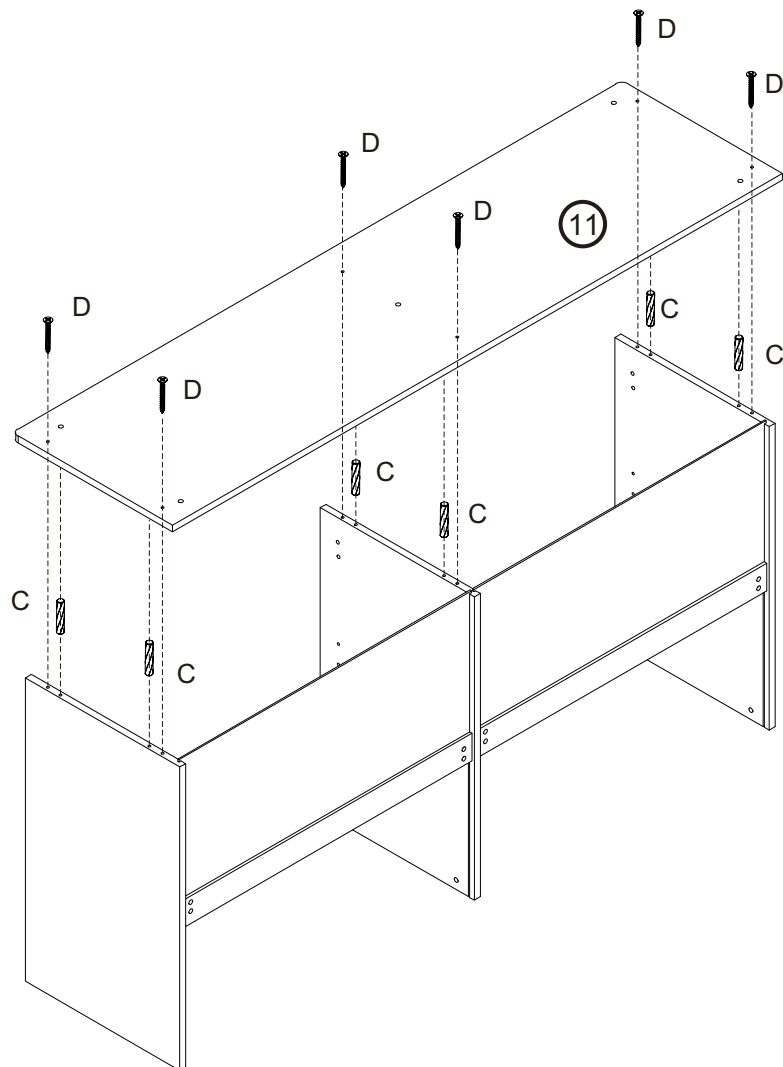
Ax2



Step 7

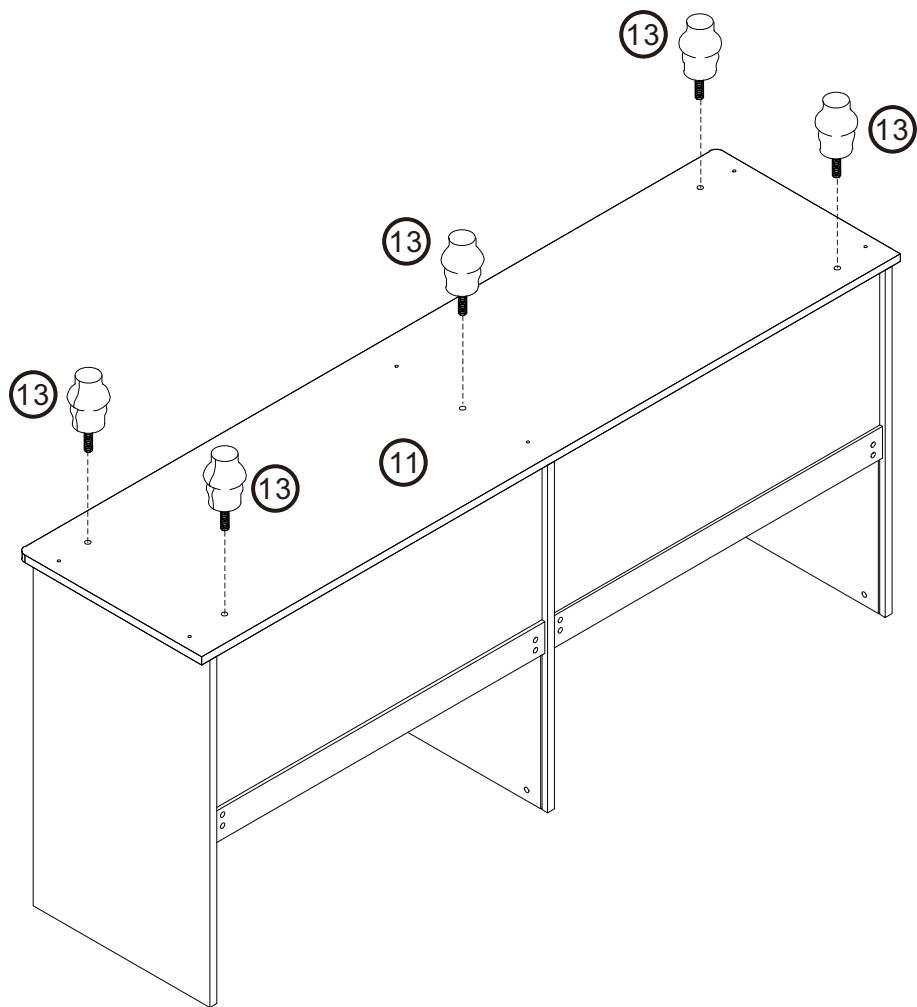


Step 8

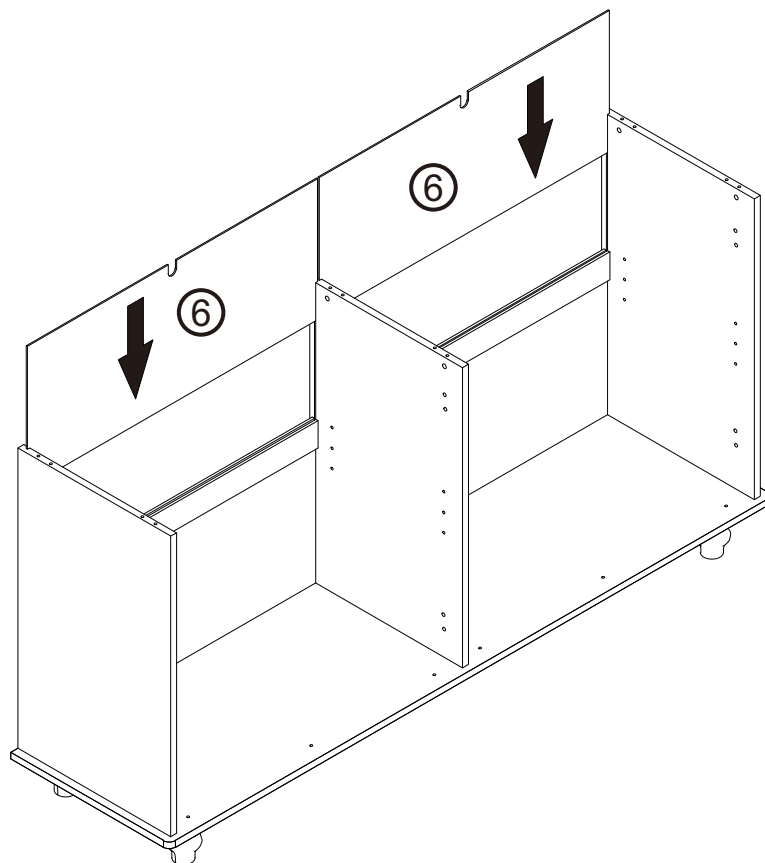


	Cx6
	Dx6







Step 9

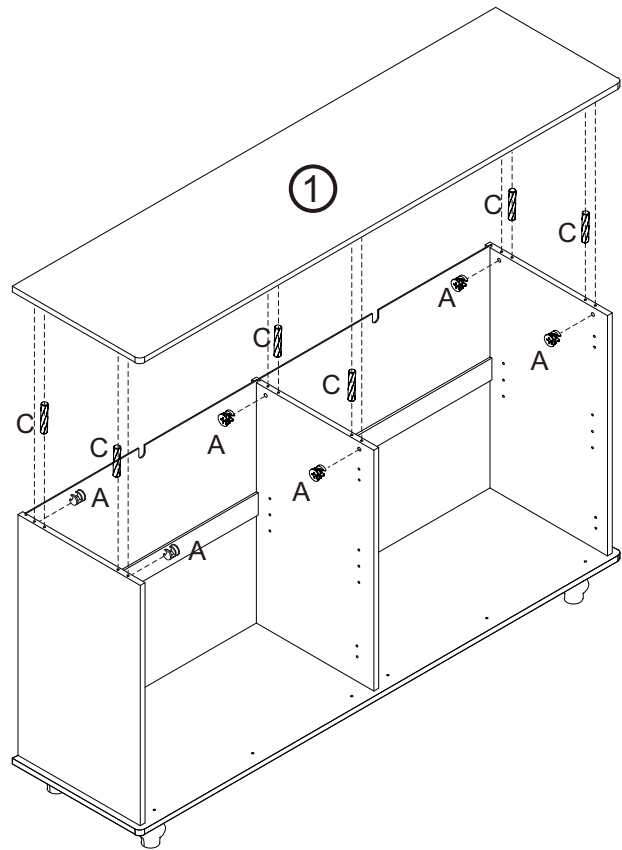
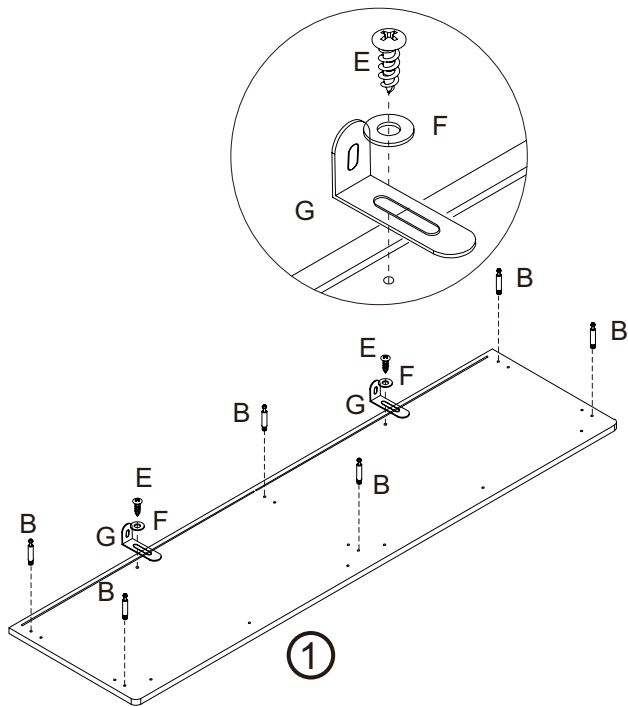


Step 10



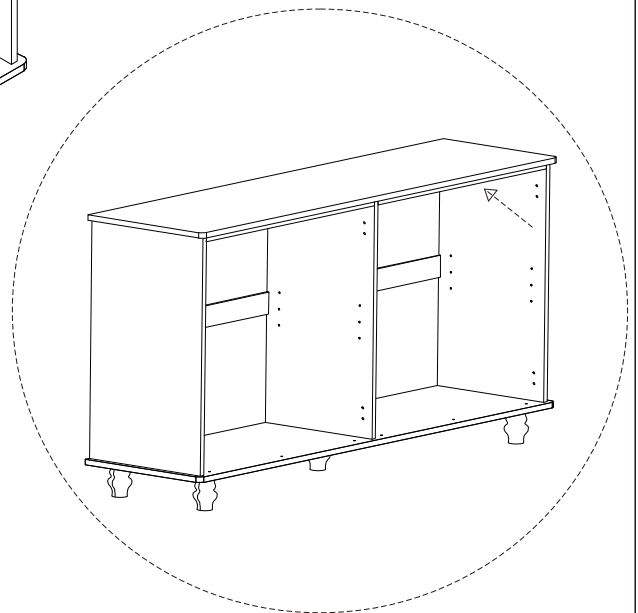
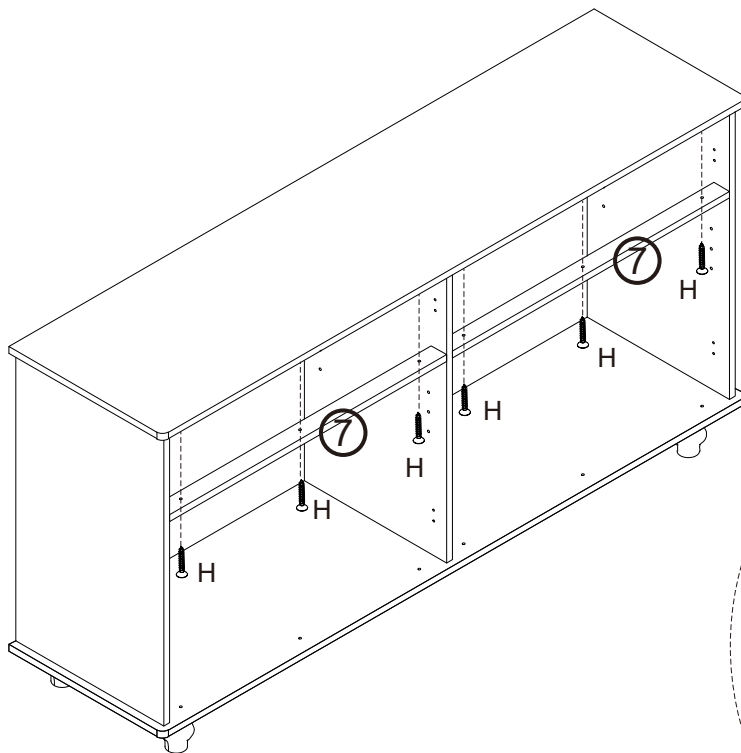
Step 11

	Ex2		Ax6
	Fx2		Bx6
	Gx2		Cx6






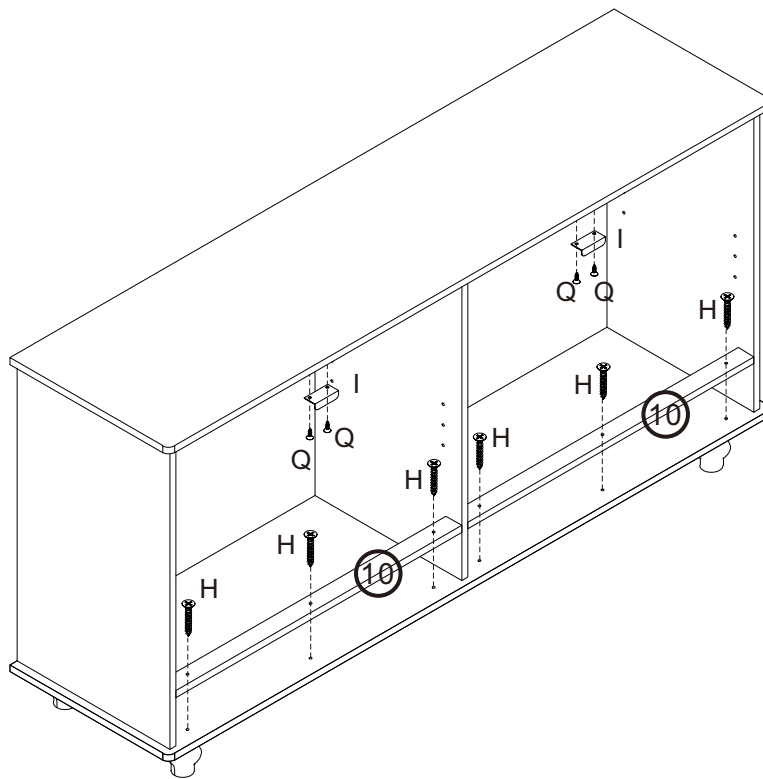
Step 12

	Hx6
---	-----




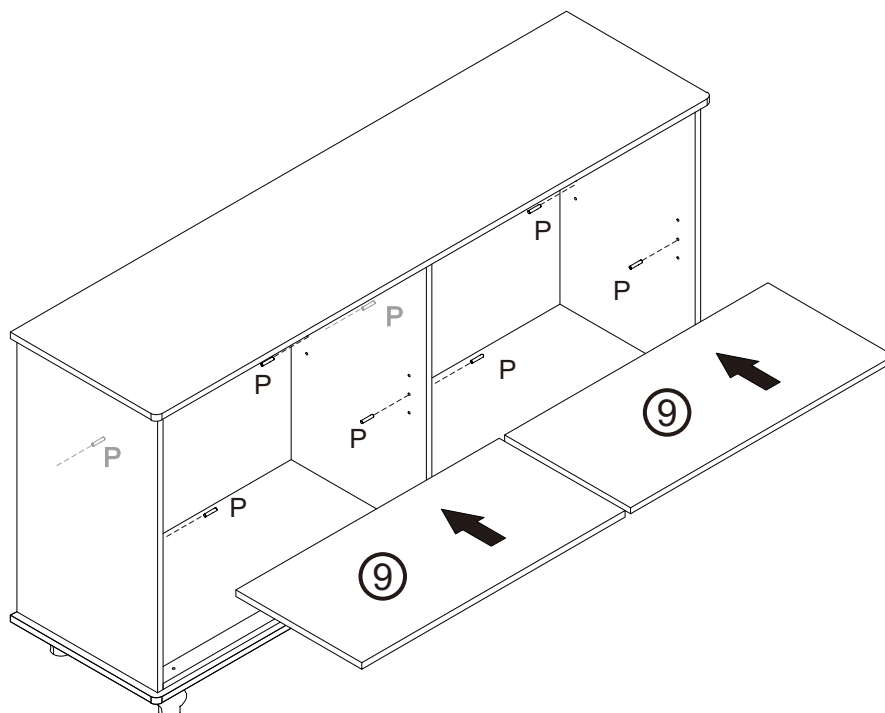
Step 13

	Hx6
	Ix2
	Qx4







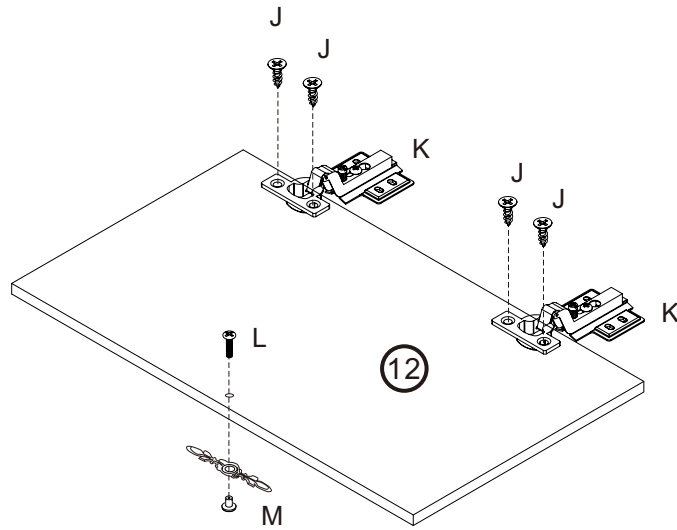
Step 14

	Px8
---	-----




Step 15

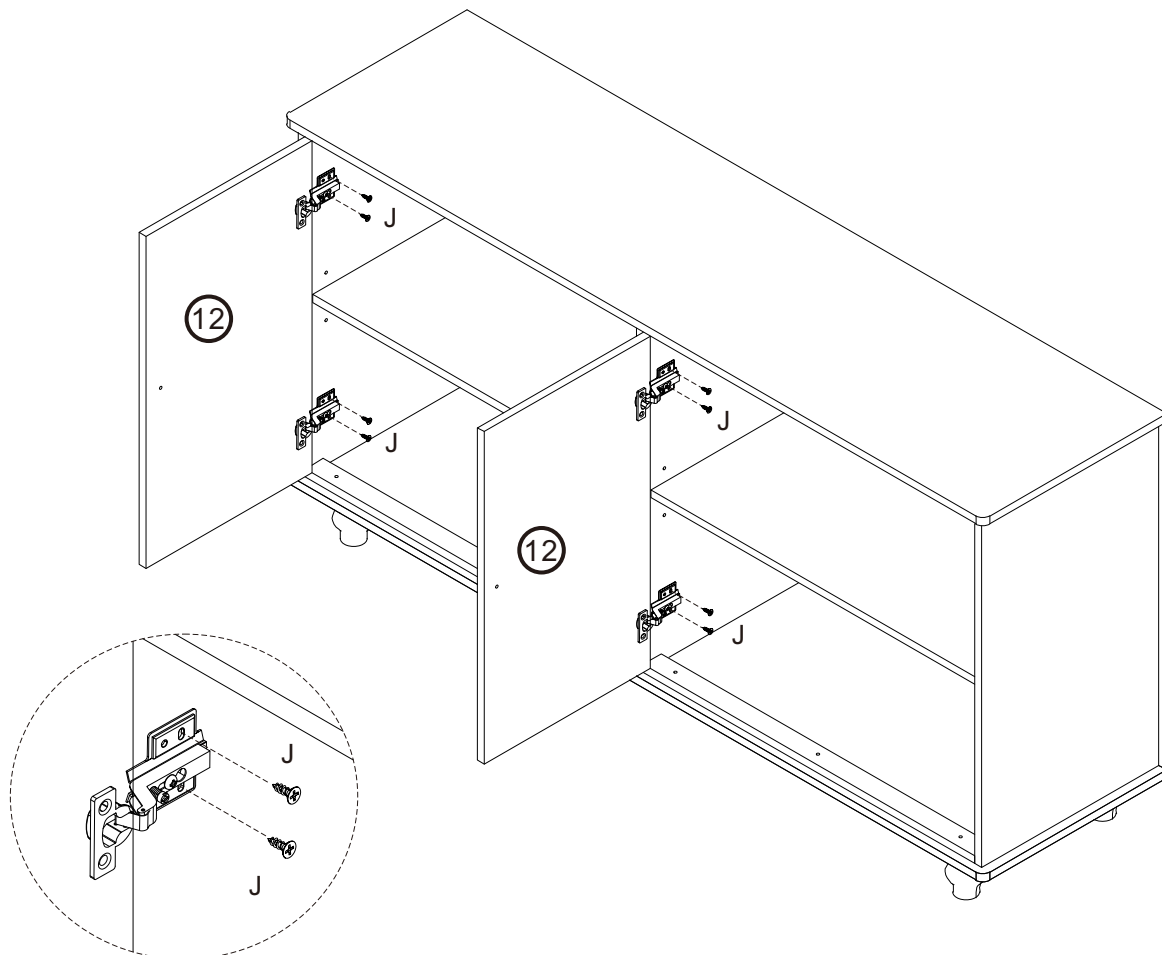
	Jx16
	Kx8
	Lx4
	Mx4



x4

Step 16

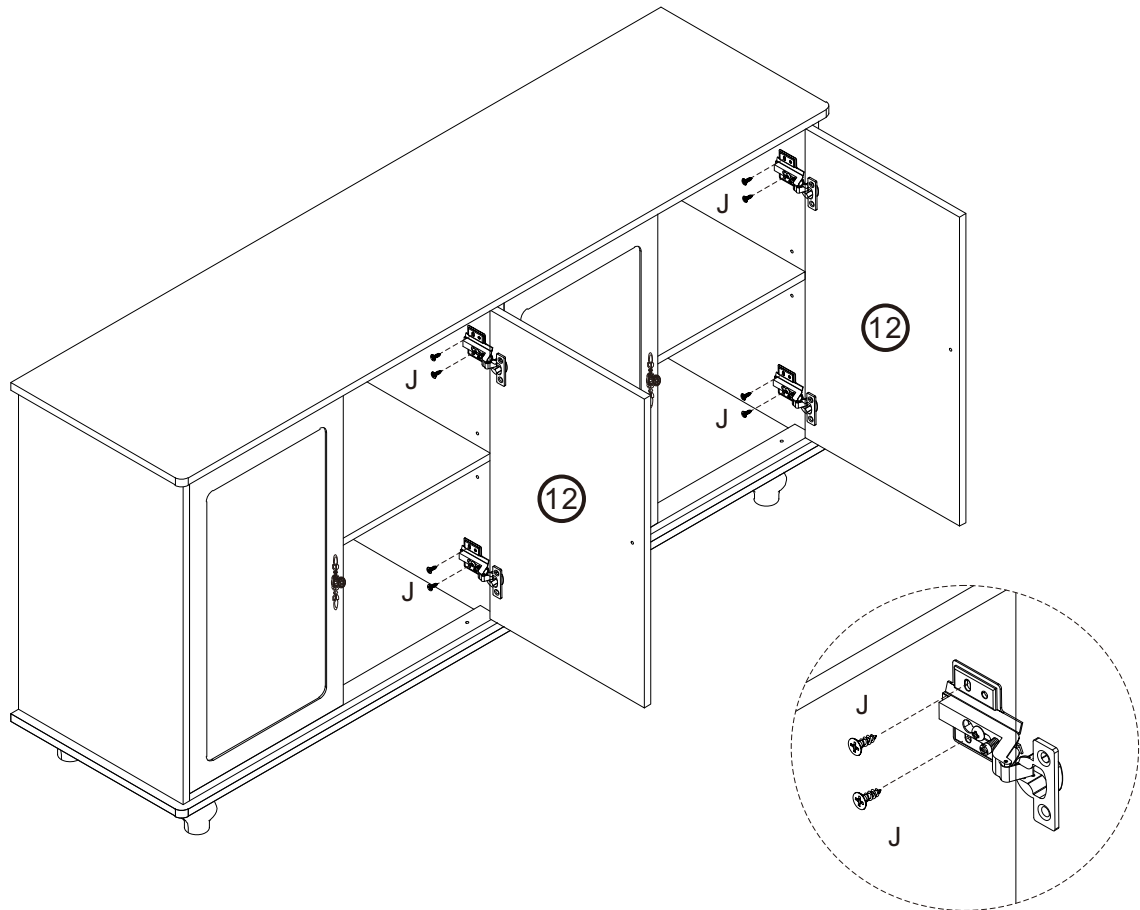
	Jx8
---	-----



Step 17



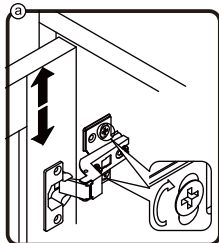
Jx8



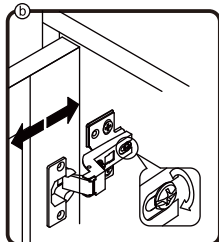
Step 18



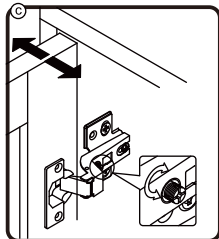
Jx16



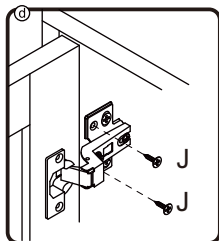
To adjust the door vertically loosen the screw as shown and move up and down as needed.



To adjust the gap from the door to the main frame turn the screw clockwise or anti-clockwise as needed.



To adjust the door laterally adjust the screw as shown by turning clockwise or anti-clockwise.

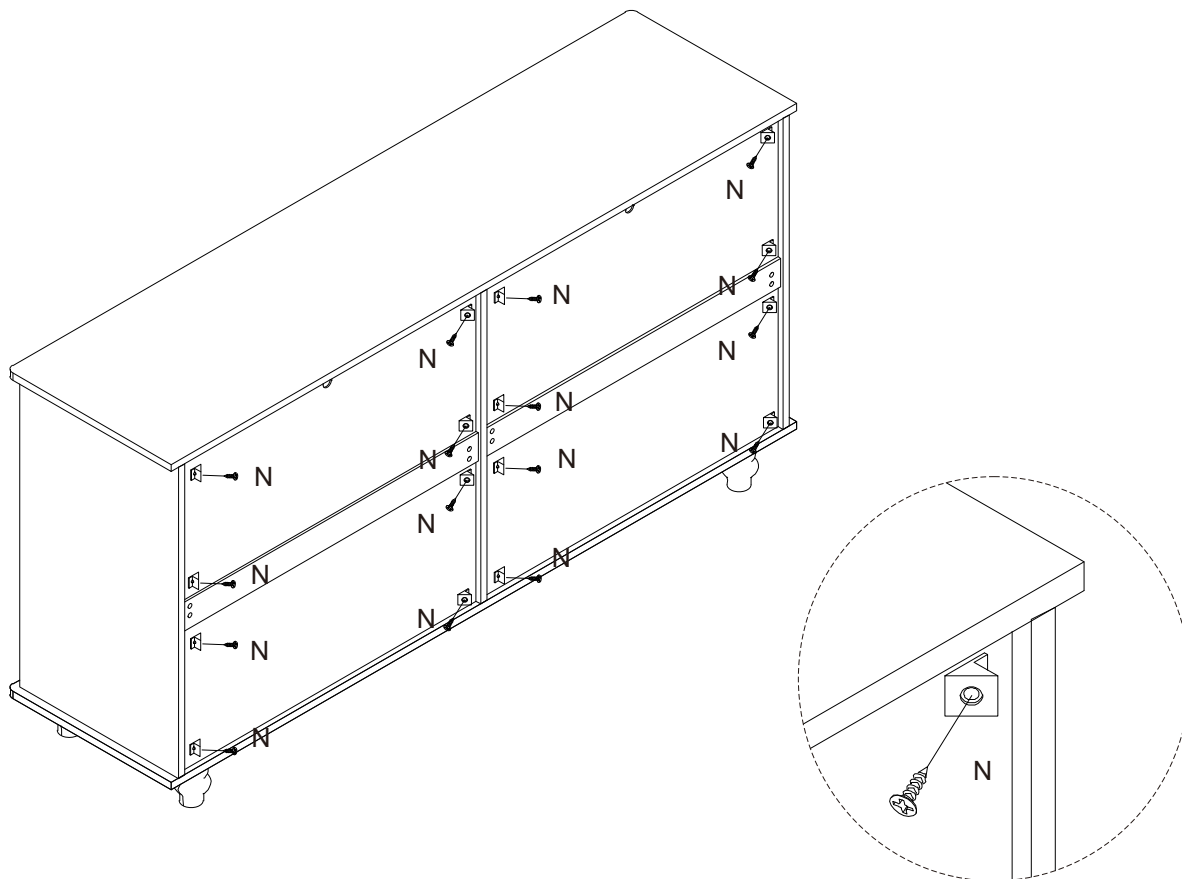


Lock the final screws right in for product stability.

Step 19



Nx16



Step 20



Dx2



Fx2



Ox2

