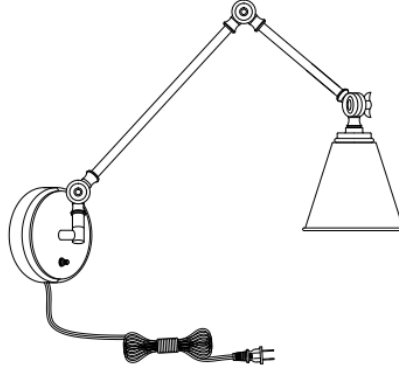


Assembly Instruction

CAUTION: Read instruction carefully and turn electricity off at main circuit breaker panel before beginning installation.



Care and Cleaning

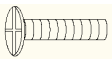








To clean the outside of the fixture, use a dry or slightly dampened clean cloth (use clean water, never a solvent) to wipe the surface of the fixture.

To clear the inside of the fixture, first disconnect power to the fixture by turning off the circuit breaker or by removing the fuse at the fuse box. Next, use a dry or slightly dampened clean cloth (use clean water, never a solvent) to wipe the interior surface of the fixture.

Do not use any cleaners with chemical, solvents or harsh abrasives. Use Only a dry soft cloth to dust or wipe carefully.

Estimated Assembly Time: 30 minutes

Part List and Hardware List

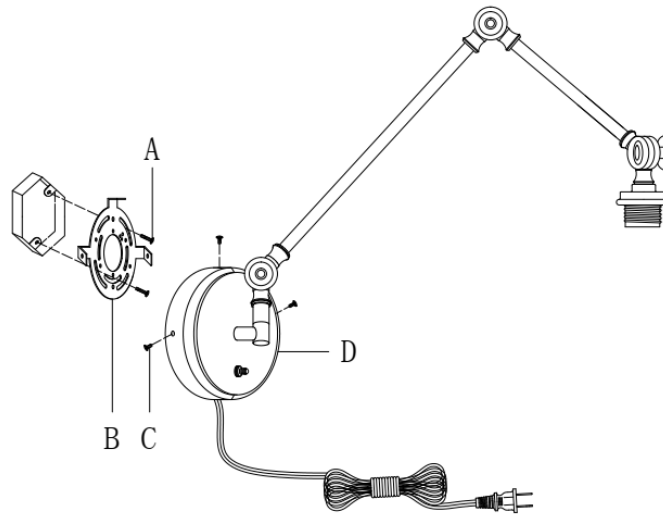
PIECE	DESCRIPTION	PICTURE	QUANTITY	PIECE	DESCRIPTION	PICTURE	QUANTITY
A	mounting screw		2X	F	socket ring		1X
B	mounting plate		1X	G	shade		1X
C	screw		3X	H	Wood Screw		2X
D	lamp body		1X	I	Wall Anchors		2X
E	Bulb		1X				

Installation to outlet box

Step 1

Secure mounting plate (B) to outlet box with mounting screws (A) .

Attach the lamp body (D) to the mounting plate (B) and secure with retaining screw (C)



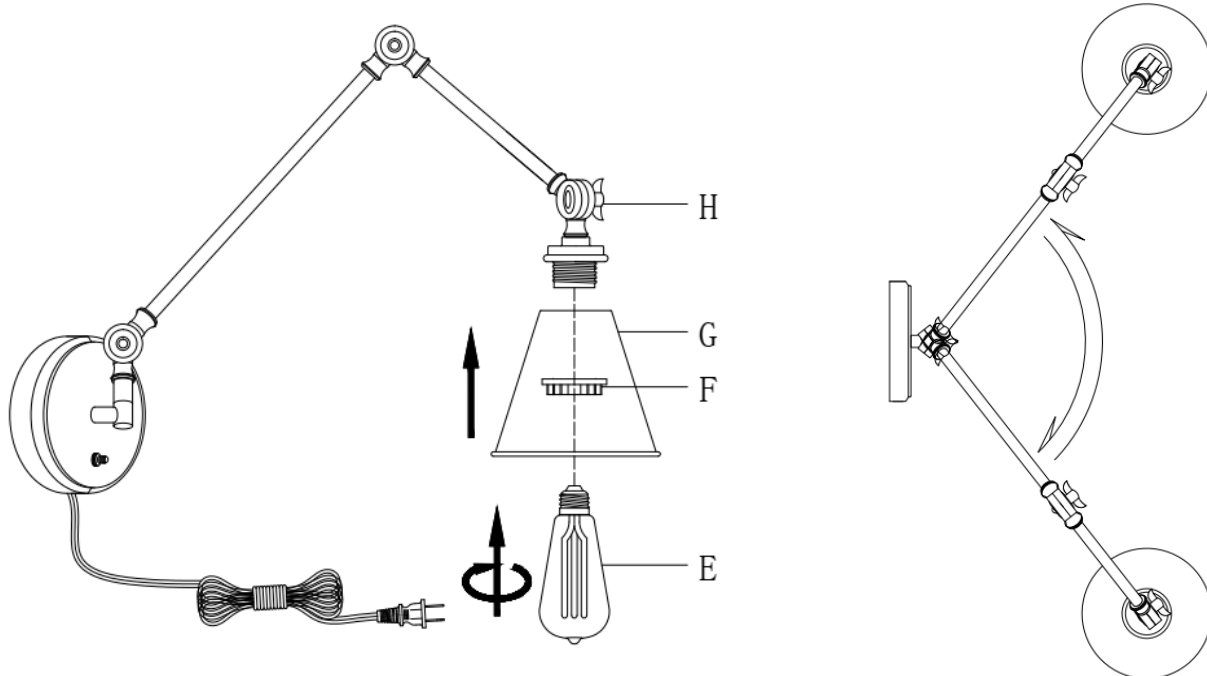
Step 2

Place the shade (G) over the sockets, then secure with the socket ring (F).

Loosen handles (H) or turn the lamp body left and right, can adjust the direction of shade (G)

Insert the bulbs (E) into the Sockets

**PLEASE USE TYPE "A" BULB MAX 40-WATT OR CFL BULB MAX 13-WATT OR LED BULB MAX 9-WATT
THERE IS 1PC LED 4-WATT BULB IN THE BOX**



Step 3

Consult a qualified electrician to ensure correct branch circuit conductor.

ENJOY YOUR LAMP

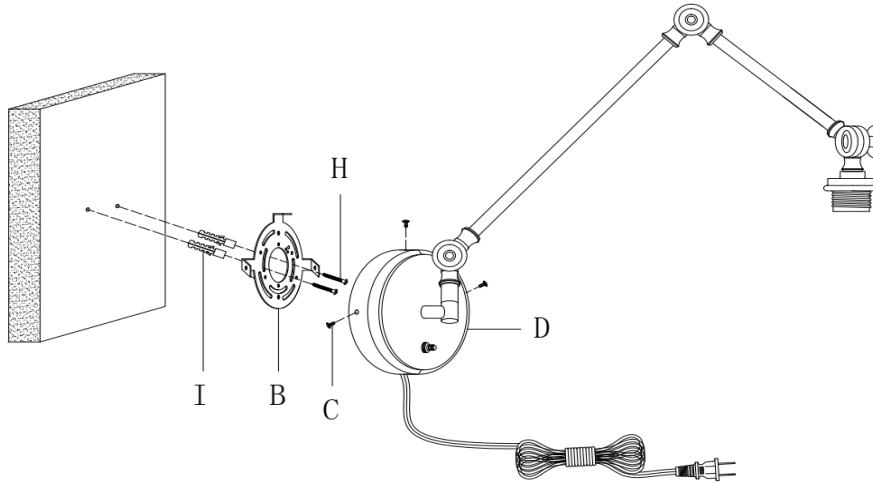
Installation to wall

Step 1

Determine the location for the lamp body. Using the mounting plate (B) as a template, mark the location of the holes for the wall anchors (I).

Drill the appropriate size holes for the wall anchors (I). (the holes should be slightly smaller than the size of the anchors (I).) Install the wall anchors (I) to the hole. Secure mounting plate (B) to wall with wood screw (H) to the anchors (I).

Attach the lamp body (D) to the mounting plate (B) and secure with retaining screw (C)



Step 2

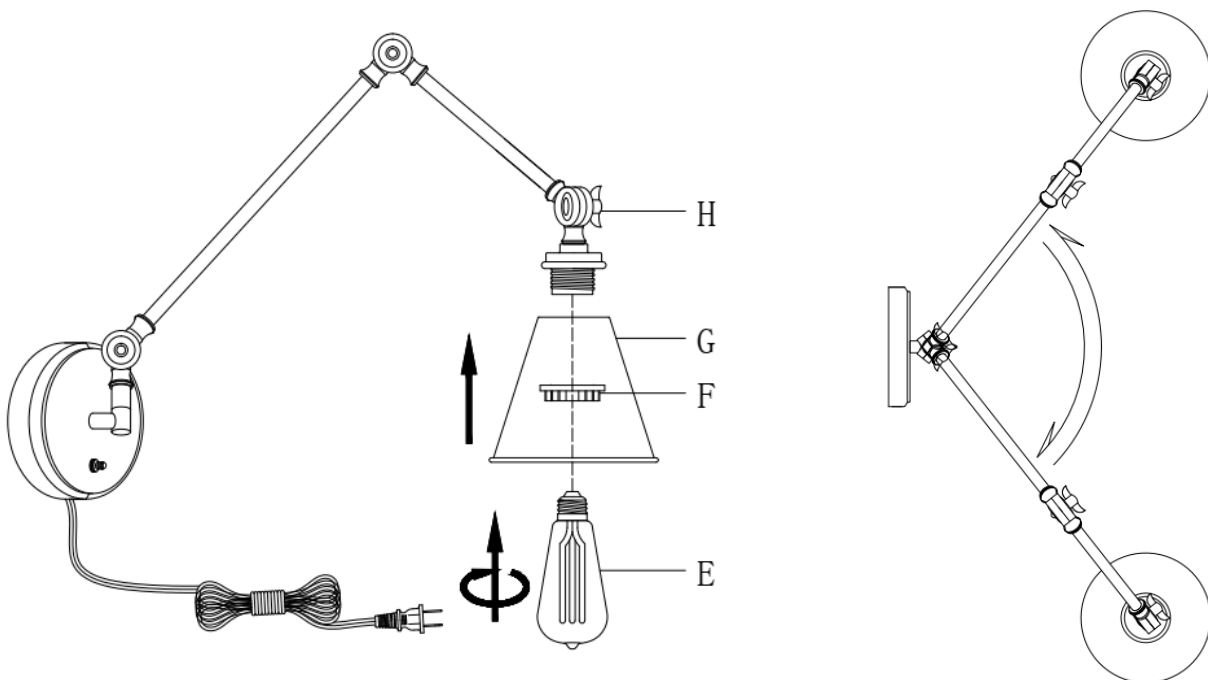
Place the shade (G) over the sockets, then secure with the socket ring (F).

Loosen handles (H) or turn the lamp body left and right, can adjust the direction of shade (G)

Insert the bulbs (E) into the Sockets

PLEASE USE TYPE "A" BULB MAX 40-WATT OR CFL BULB MAX 13-WATT OR LED BULB MAX 9-WATT

THERE IS 1PC LED 4-WATT BULB IN THE BOX



Step 3

Consult a qualified electrician to ensure correct branch

ENJOY YOUR LAMP