


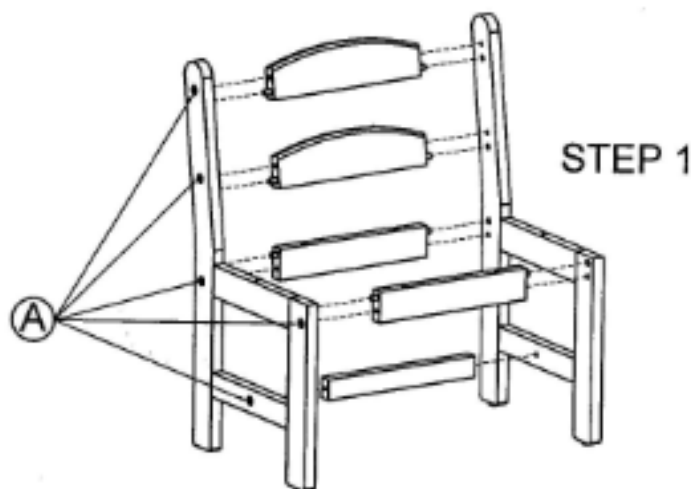


CHAIR

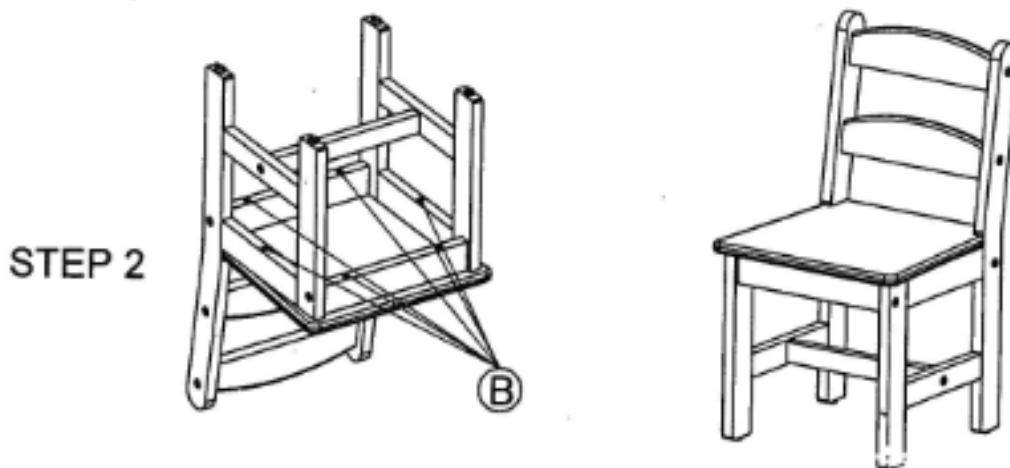
Assembly Instructions

HARDWARE LIST			
ITEM	DESCRIPTION		Q'TY
A	Big Screws	M6*40 	10 PCS
B	Small Screws	M4*40 	06 PCS
C	Allen key	K4x25x60 	01 PC

Step 1:
 Assemble the frame of the chair first
 As shown in the picture. Please leave
 Seat till the end. Please do not tighten
 All of the screws completely until the
 Chair is fully assembled.



Step 2:
 After assembling the frame of the chair,
 Please attach the seat using the four thin
 Screws. After the seat is attached, please
 Tighten all screws.



* Warning Adult Assembly Required

* Warning: Choking Hazard Adult Assembly required. Small parts may be necessary in the assembly of this product. Please pay special attention to these components when unpacking the item. Unassembled components can pose a choking risk to children 3 and below. Periodically check to ensure that the all components are sufficiently secure. Over time hardware may become loose so retighten the hardware when necessary.