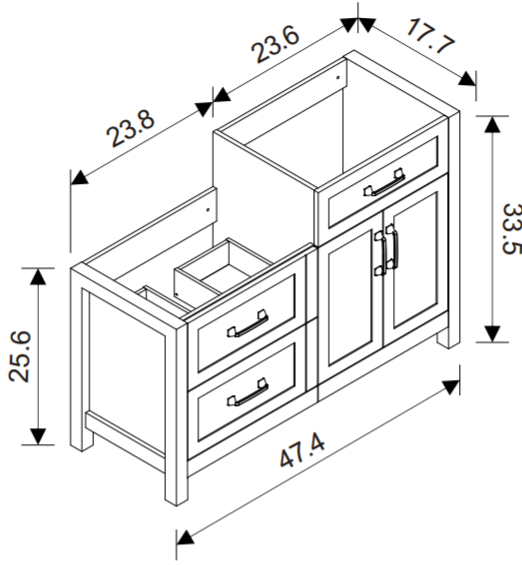


INSTALLATION INSTRUCTIONS

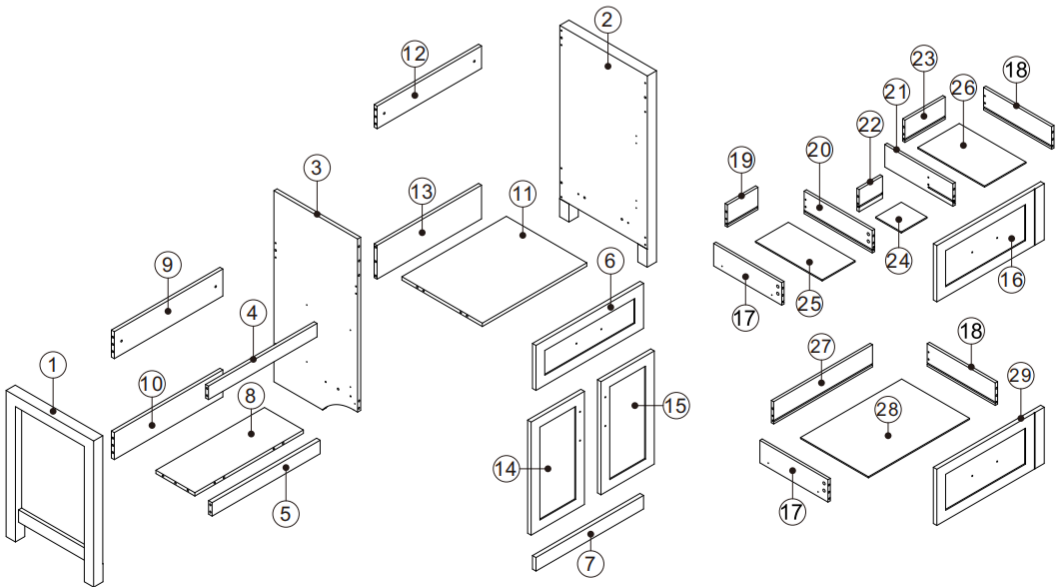
*The vessel and faucet set is not included

DIMENSIONS

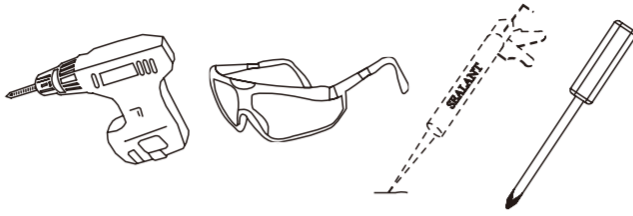
Unit:inch



ASSEMBLY DIAGRAM



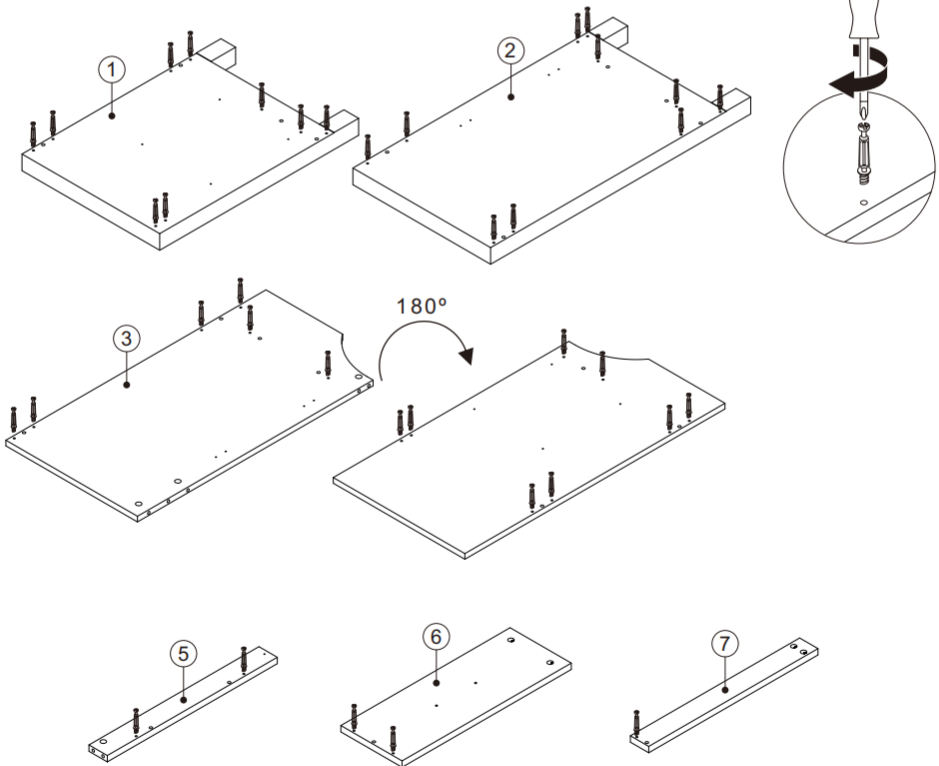
YOU MAY NEED (NOT SUPPLIED)



INSTALLATIONS


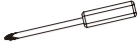
STEP 1

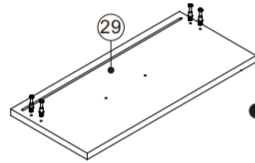
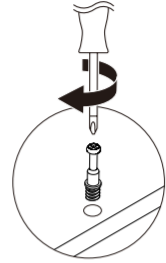
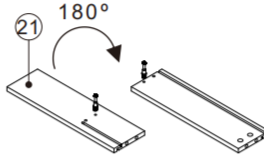
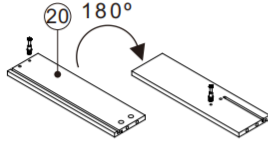
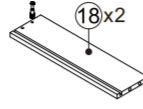
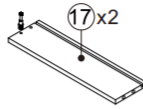
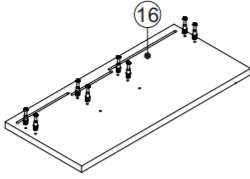
HARDWARE LIST	
A	 38PCS
	



- Insert the Cam Screw into the shelves above.



STEP 2

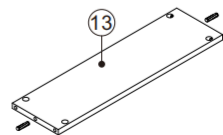
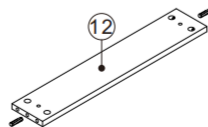
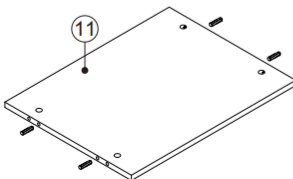
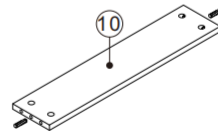
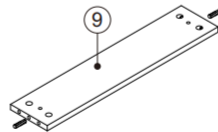
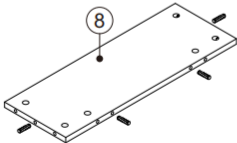
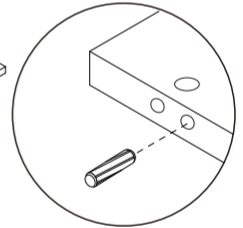
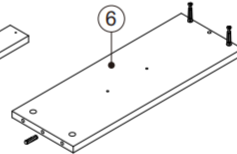
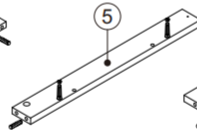
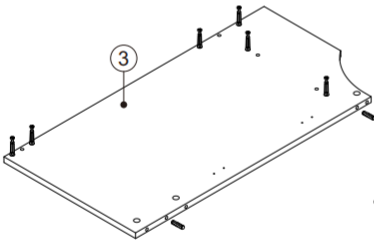
HARDWARE LIST	
C  20PCS	



● Insert the Cam Screw into the shelves above.



STEP 3

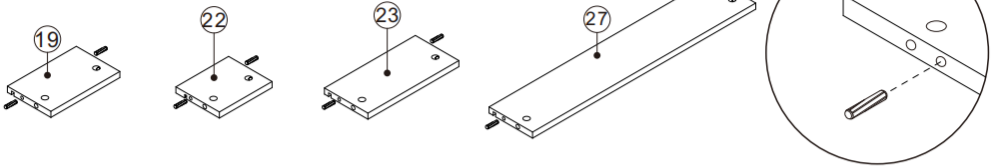
HARDWARE LIST	
B  20PCS	







● Insert the wooden dowel pins into the shelves.

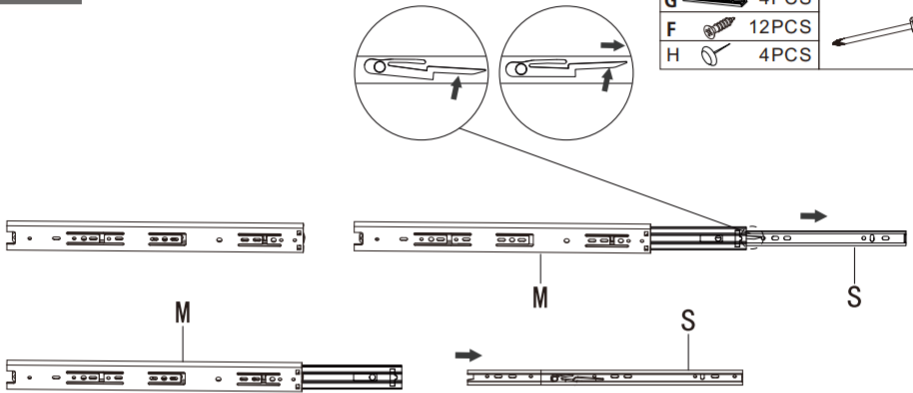
STEP 4

HARDWARE LIST		
D		8PCS
		

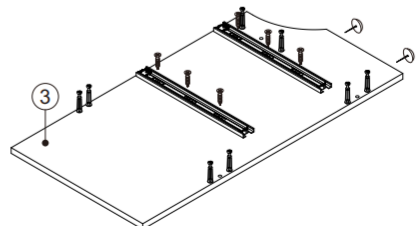
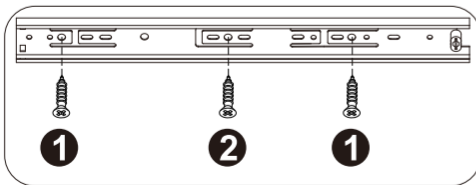
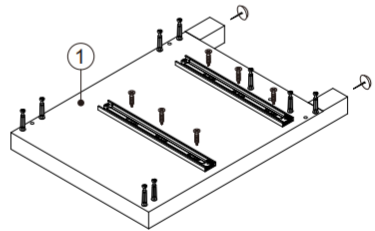
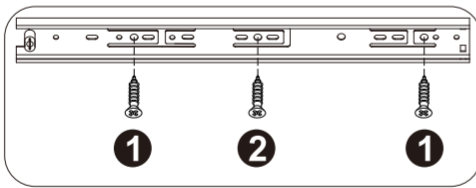


STEP 5

HARDWARE LIST		
G		4PCS
F		12PCS
H		4PCS
		


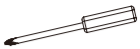



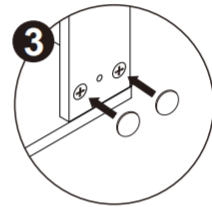
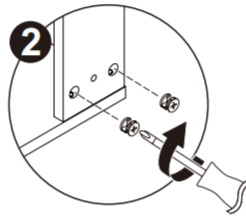
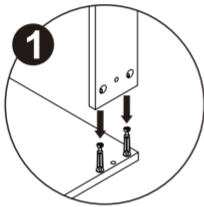
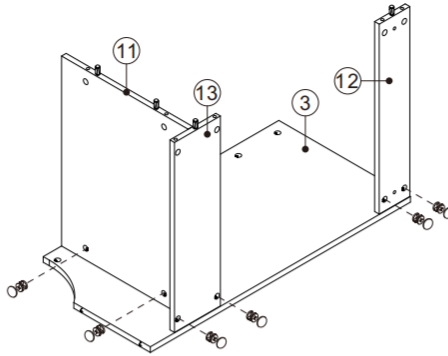
● Keep pressing here, then pull out to divide the slide.



● Refer to the illustration to fix the Slide rails to the board #1,#3 with screws.






STEP 6

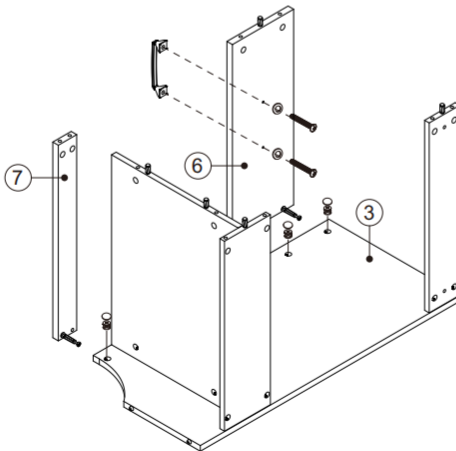
HARDWARE LIST			
A		6PCS	
O		6PCS	



- Refer to the illustration, Insert the boards #11, #12 and #13 into the board #3. Then tighten the cam lock with the cover.

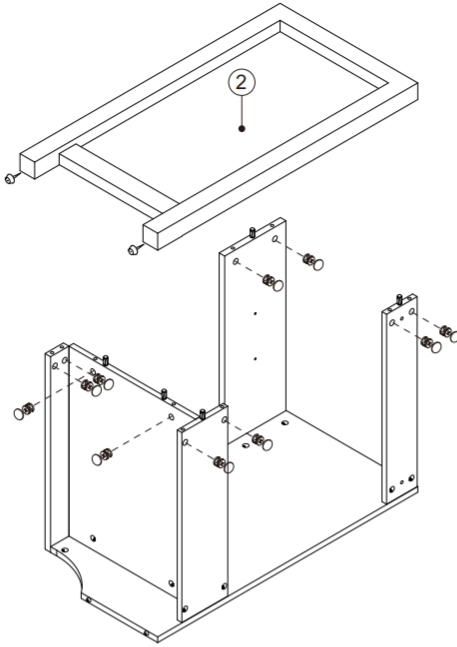
STEP 7


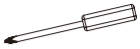


HARDWARE LIST			
A		3PCS	
O		3PCS	
J		1PCS	
K		2PCS	



- Refer to the illustration, Insert the boards #6, #7 into the board #3. Then tighten the cam lock with the cover. Use Screws to install the handle.

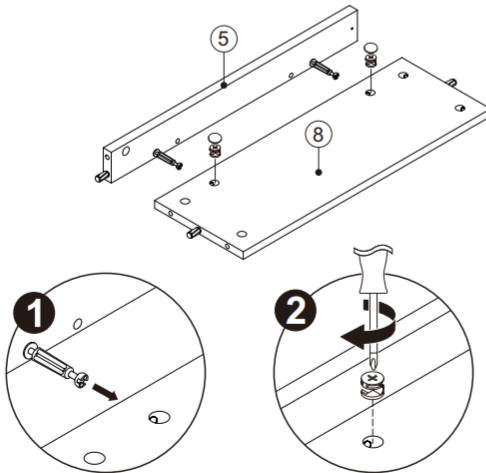
STEP 8






HARDWARE LIST			
A		10PCS	
O		10PCS	
H		2PCS	

- Refer to the illustration, Insert the boards #2 on the shelf already assembled #3,#6,#7,#11,#12,#13. Then tighten the cam lock with the cover.

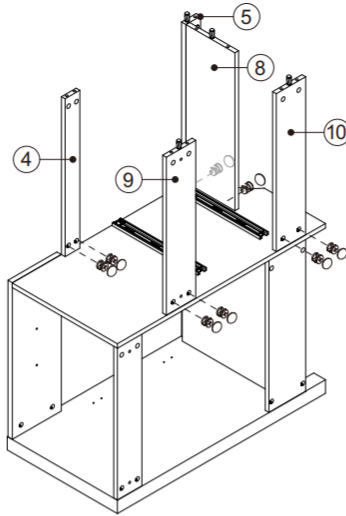
STEP 9


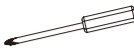



HARDWARE LIST			
A		2PCS	
O		2PCS	

- Refer to the illustration, Insert the boards #5 into the board #8. Then tighten the cam lock with the cover.

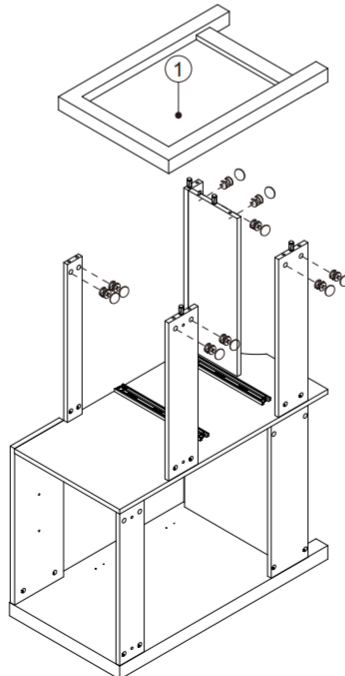
STEP 10


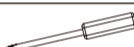



HARDWARE LIST			
A		8PCS	
O		8PCS	

- Refer to the illustration, Insert the boards #4, #5, #8, #9, #10 on the shelf already assembled #2, #3, #6, #7, #11, #12, #13. Then tighten the cam lock with the cover.

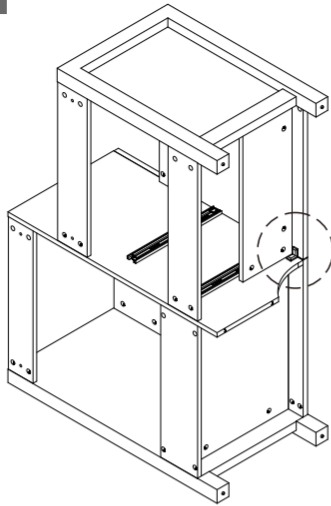
STEP 11



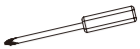
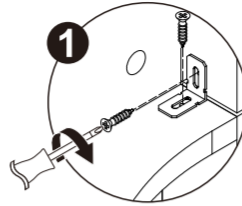
HARDWARE LIST			
A		9PCS	
O		9PCS	

- Refer to the illustration, Insert the boards #1 on the shelf #4, #5, #8, #9, #10. Then tighten the cam lock with the cover.

STEP 12




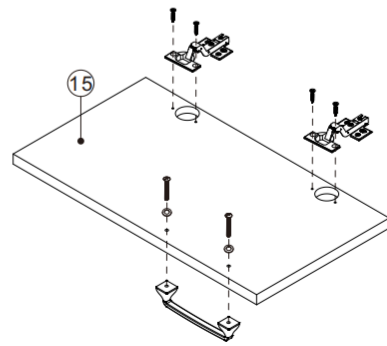
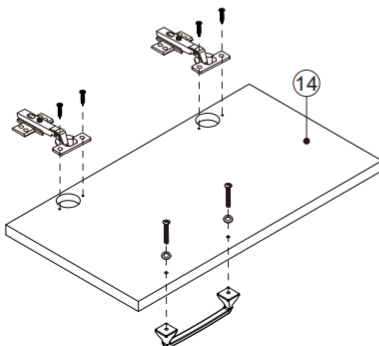
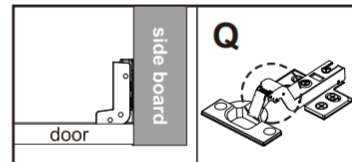
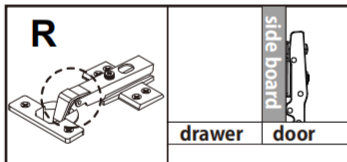
HARDWARE LIST		
E		2PCS
L		1PCS

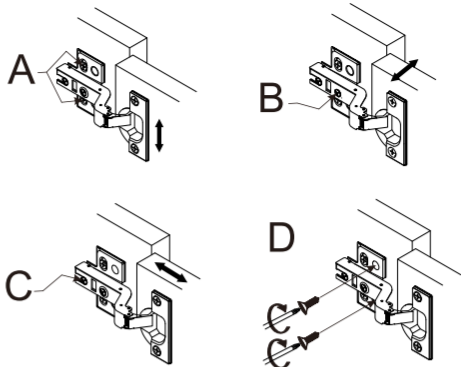
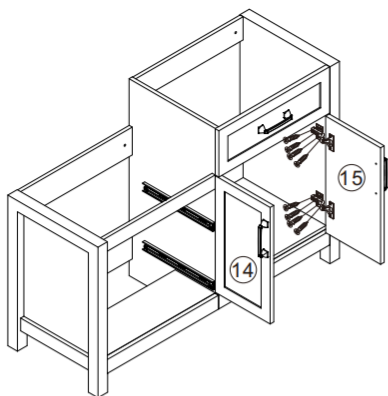
- Refer to the illustration, lock the angle iron on the board #3, #5 by screws.

STEP 13

HARDWARE LIST		
E		24PCS
J		2PCS
P		4PCS
Q		2PCS
R		2PCS

- Use Screws to install the handle and apply Screws to fix the hinge on the shelf #14. Then use Screws to connect the hinge bracket to the cabinet. Repeat these steps for the other door.



A.Height adjustment

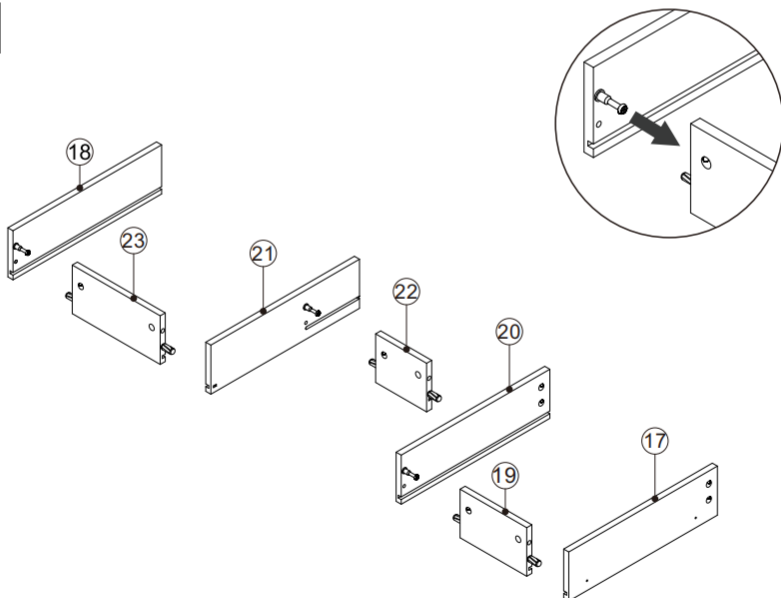
B.Side to side adjustment

C.Depth adjustment

D.After adjustment A/B/C,tighten screws.

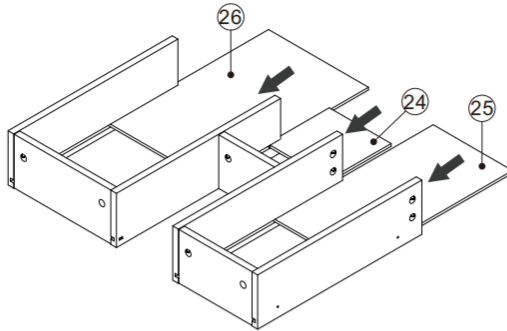
- To ensure proper cabinet alignment, refer to the above illustrations for instructions about adjusting the cabinet height, depth and lateral movement.

STEP 14






- Refer to the illustration,Insert the boards #17,#18,#19 #20,#21,#22,#23.

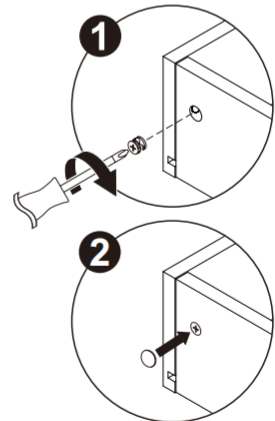
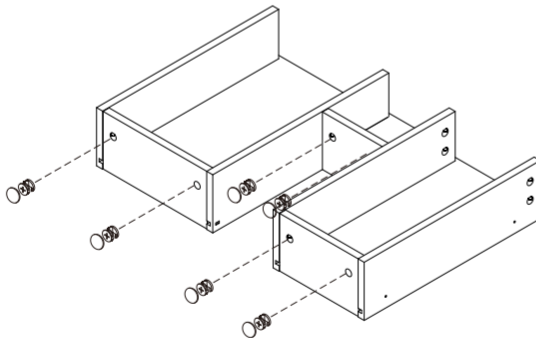
STEP 15



- Refer to the illustration, Insert the boards #24,#25,#26 into the finished shelf.

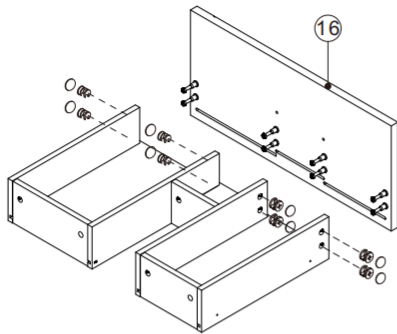
STEP 16

HARDWARE LIST			
C		6PCS	
O		6PCS	

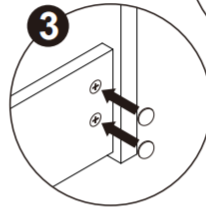
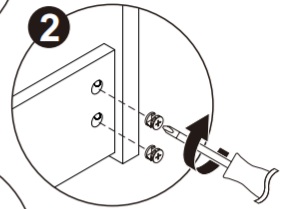
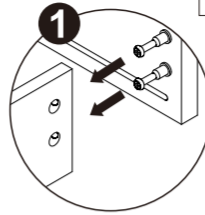


- Refer to the illustration, tighten the cam lock with the cover.

STEP 17

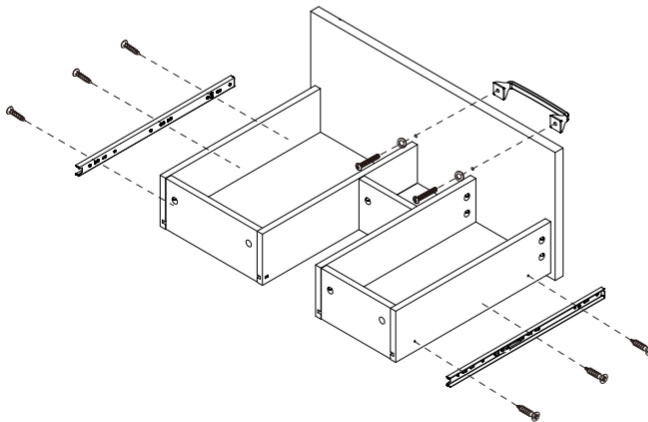


HARDWARE LIST			
C		8PCS	
O		8PCS	

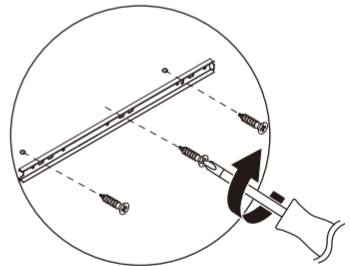


- Refer to the illustration, Insert the board #16 into the finished shelf. Then tighten the cam lock with the cover.

STEP 18

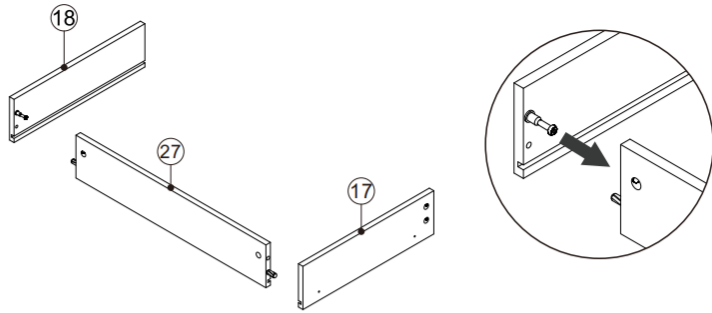


HARDWARE LIST			
F		6PCS	
G		2PCS	
J		1PCS	
K		2PCS	



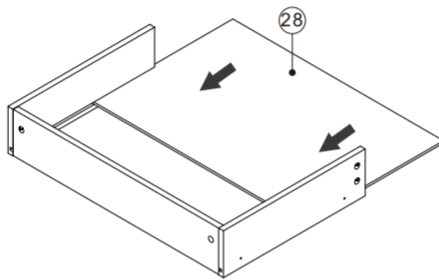
- Refer to the illustration, Apply Screws to fix the slides on the boards #17,#18. Use Screws to install the handle.

STEP 19





- Refer to the illustration, Insert the boards #17, #18, #27.

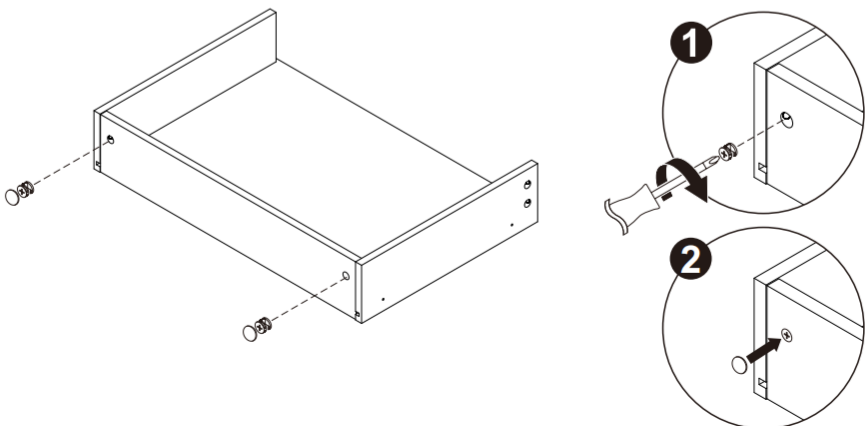

STEP 20



- Refer to the illustration, Insert the boards #28 into the finished shelf.


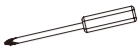

STEP 21

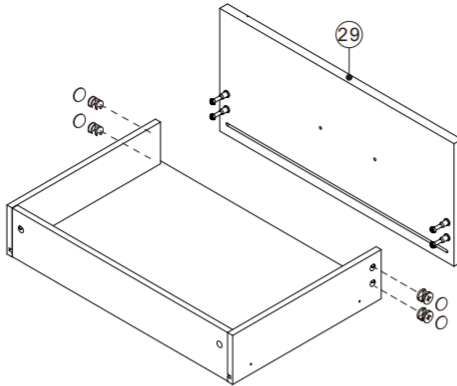
HARDWARE LIST		
C		2PCS
O		2PCS



- Refer to the illustration, tighten the cam lock with the cover.



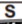


STEP 22

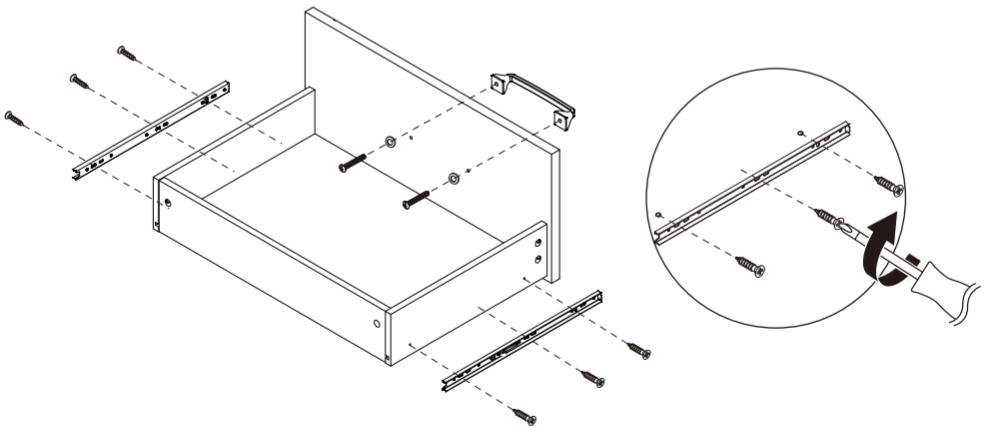
HARDWARE LIST			
C		4PCS	
O		4PCS	



- Refer to the illustration, Insert the board #29 into the finished shelf. Then tighten the cam lock with the cover.

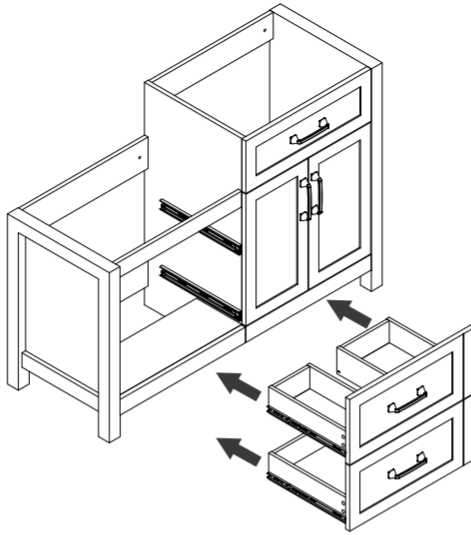
STEP 23

HARDWARE LIST			
F		6PCS	
G		2PCS	
J		1PCS	
K		2PCS	







- Refer to the illustration, Apply Screws to fix the slides on the boards #17,#18. Use Screws to install the handle.

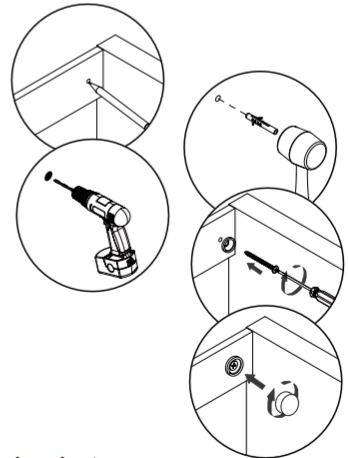
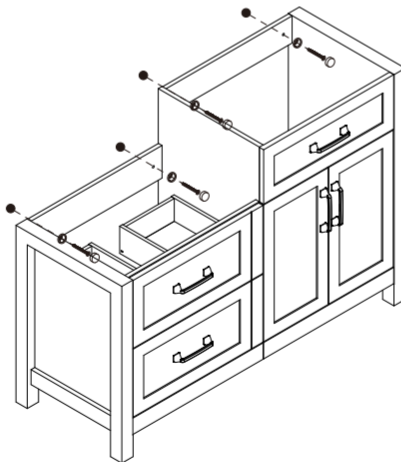
STEP 24



- Assembled drawers are loaded onto cabinets.

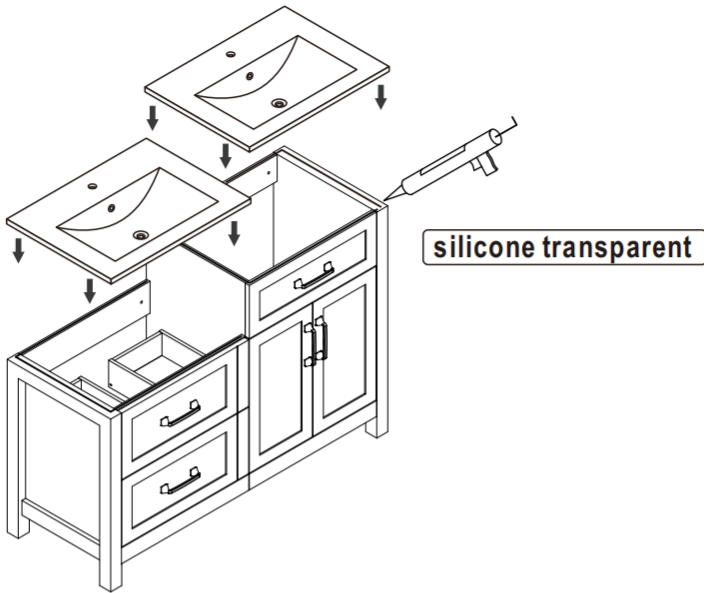
STEP 25

HARDWARE LIST		
N		4PCS
N		4PCS
N		4PCS
N		4PCS

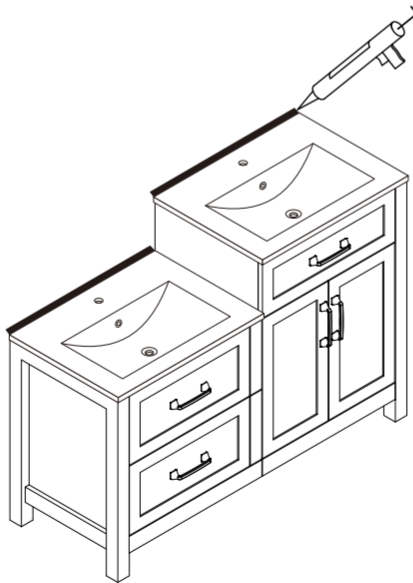


- Refer to the illustration, Draw the spacing between the walls on the cabinet, punch holes in the wall, and fix the cabinet to the wall with screws. Then tighten the nut cover.

STEP 26



STEP 27



- To help prevent mildew, apply sealant to the space between the wall and the edge of the cabinet.

CARE AND CLEANING

1. Many cleansers contain abrasive and chemical substance which is not suitable for cleaning stainless steel, enamel, plating or plastic products. You may use mild cleansers or soaps to clean the surfaces. Wipe any splashes of cleaner solutions from the surface with a clean soft cloth.
2. Maintain ventilation in the bathroom and separate the dry area from the damp one if conditions permit. Try to open the door and windows of the bathroom to maintain adequate ventilation.
3. This cabinet is built to withstand normal bathroom humidity. For best results, keep this vanity dry and take necessary steps to minimize bathroom humidity by opening windows and doors and using the exhaust fan (if available).
4. To maintain the cabinet door, clean and wipe the door regularly with a soft cloth. Wipe condensation with a dry, soft cloth. Keep away from resin and high temperatures.
5. Please do not sit, lean or step on the basin cabinet.