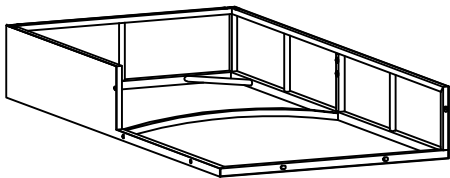


The cushion sponge is compressed and packaged.
The rebound of sponge usually takes 72 hours.

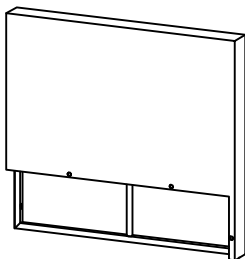
Assembly Instruction

Parts List Box

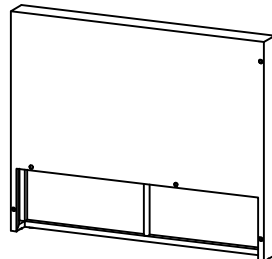
A x 1



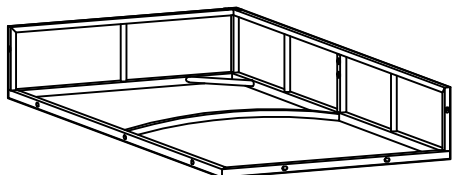
B x 1



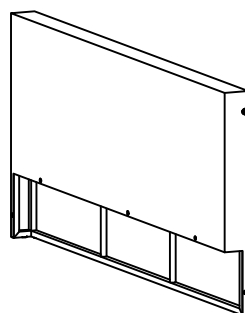
C x 1



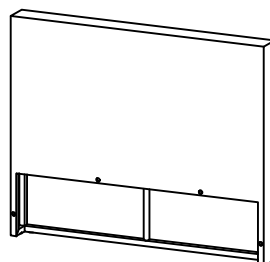
D x 1



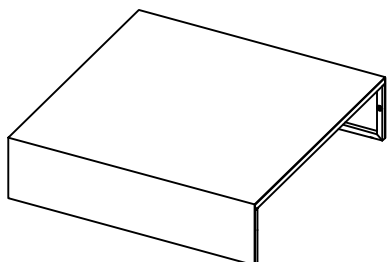
E x 1



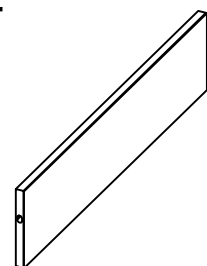
F x 1



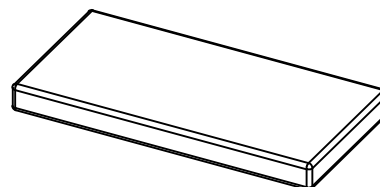
G x 1



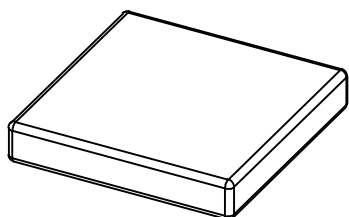
H x 2



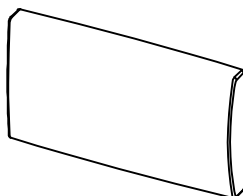
I x 1



J x 2



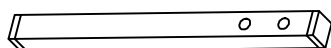
K x 3



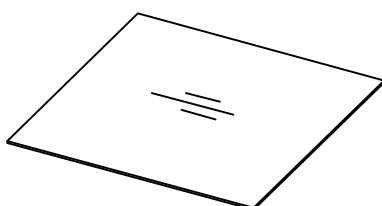
L x 13



M x 2



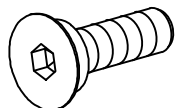
N x 1



Assembly Instruction

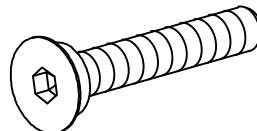
Parts List

① x 26



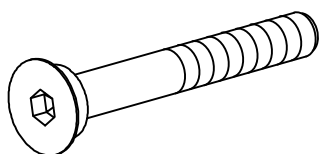
M6*15mm

② x 8



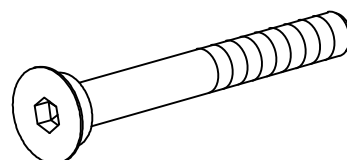
M6*30mm

③ x 6



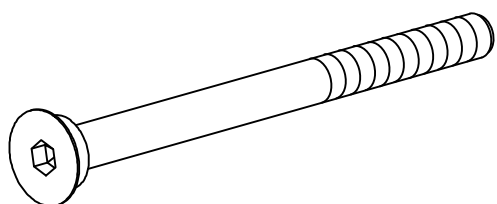
M6*40mm

④ x 9



M6*50mm

⑤ x 2

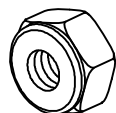


M6*70mm

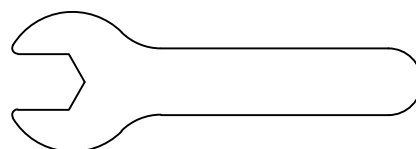
⑥ x 66



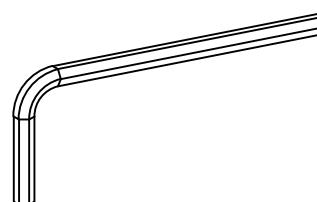
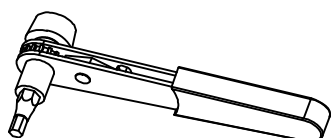
⑦ x 15



⑧ x 1

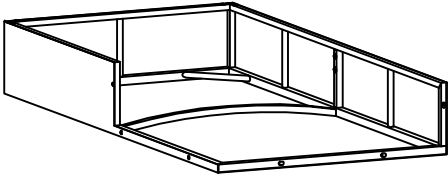


⑨ x 1

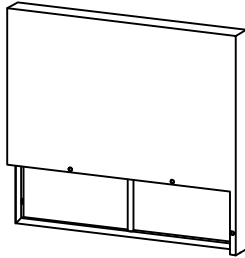


1Pc Chaise Lougue Sofa

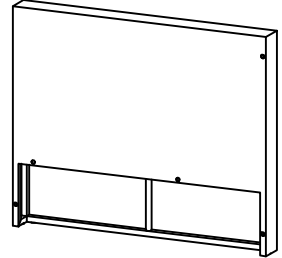
A x 1



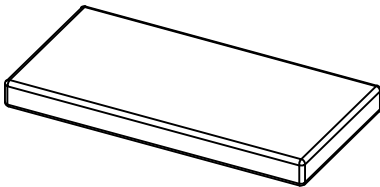
B x 1



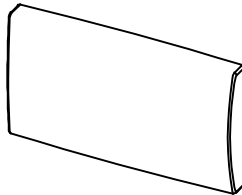
C x 1



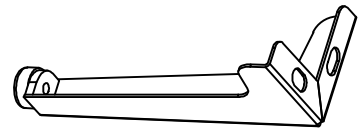
I x 1



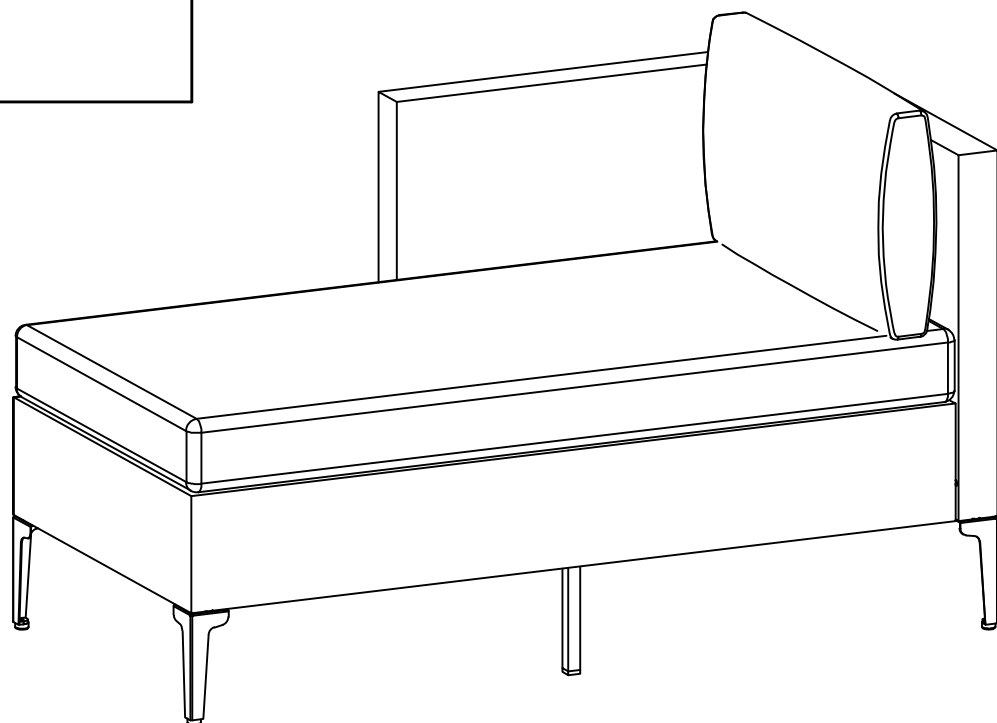
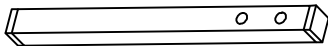
K x 1



L x 5

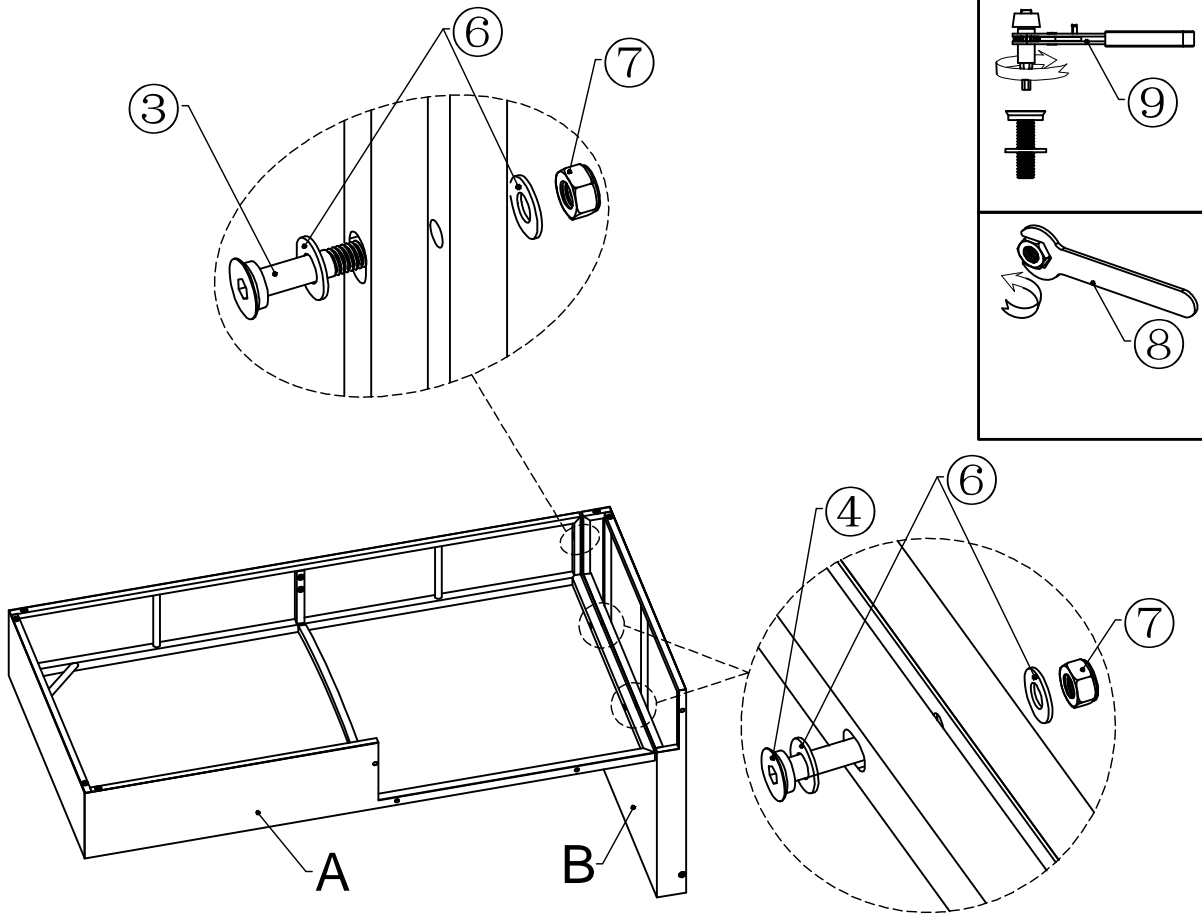


M x 1



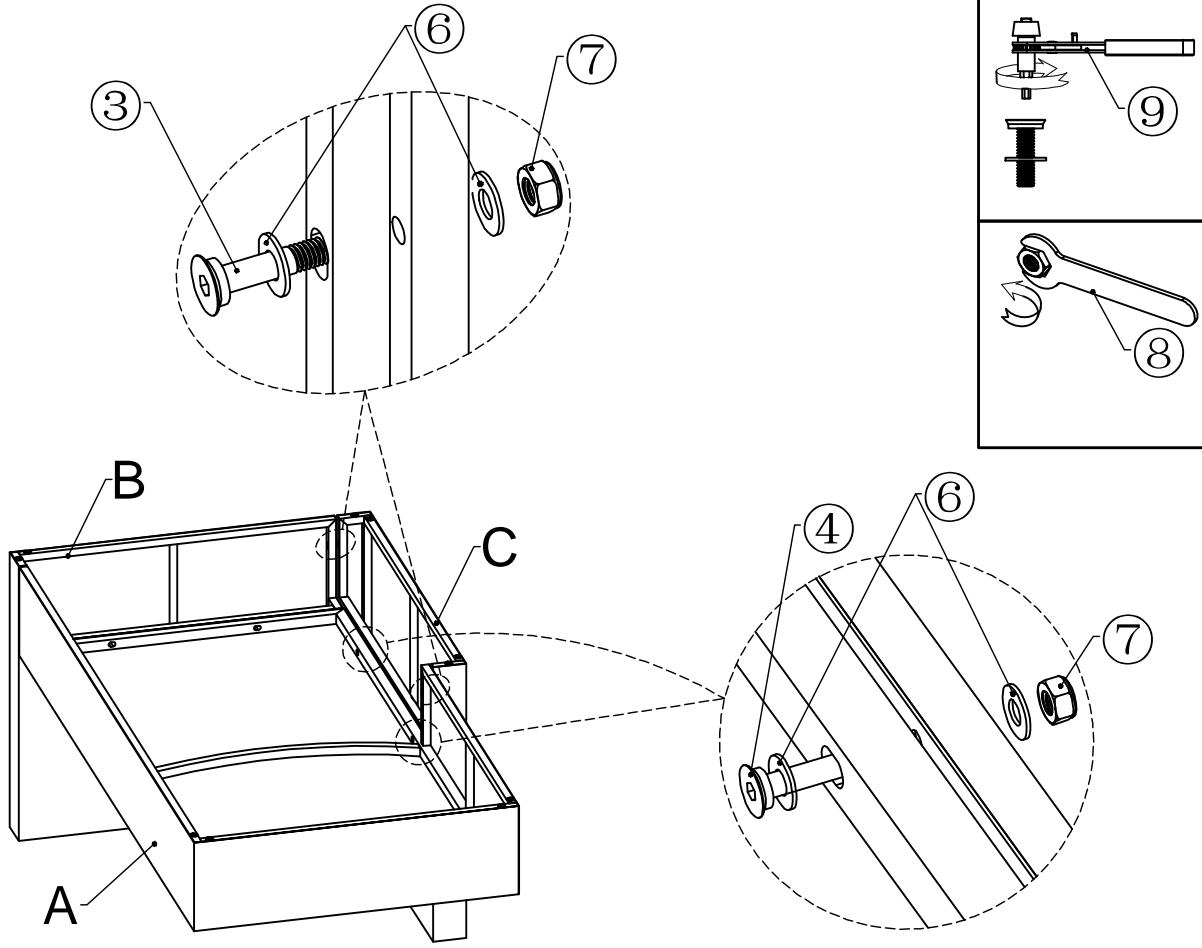
STEP 1

- ③ x 1
M6*40mm
- ④ x 2
M6*50mm
- ⑥ x 6
- ⑦ x 3

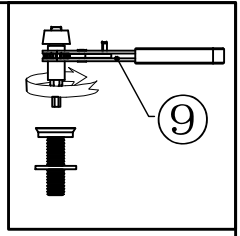
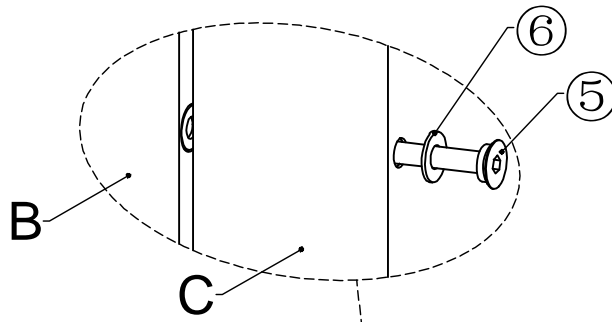


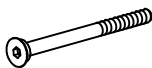

STEP 2

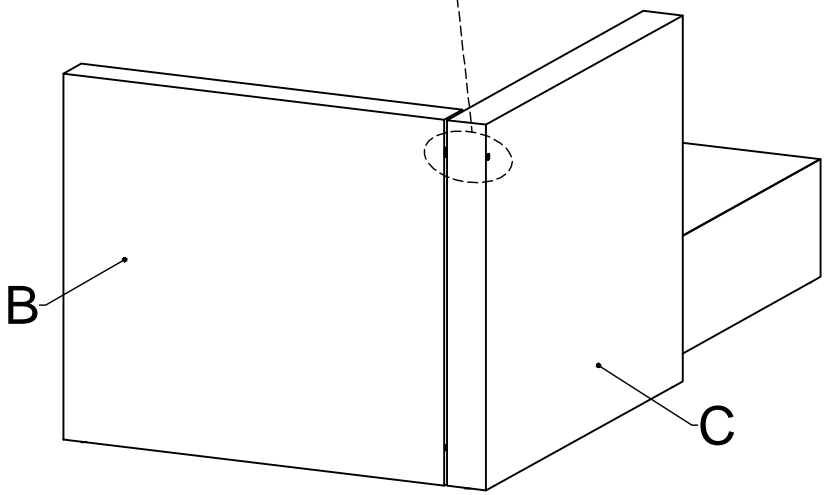
- ③ x 2
- ④ x 2
M6*50mm
- ⑥ x 8
- ⑦ x 4



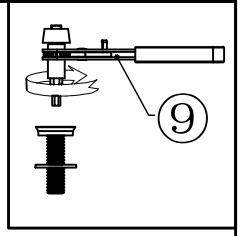
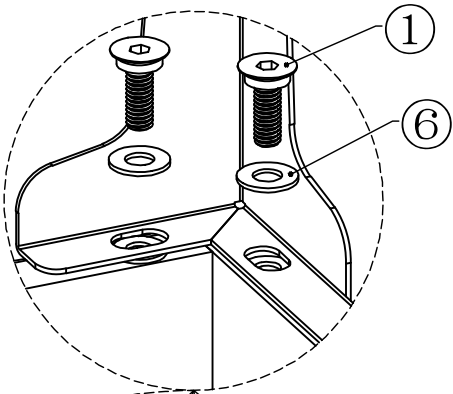
STEP 3

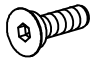



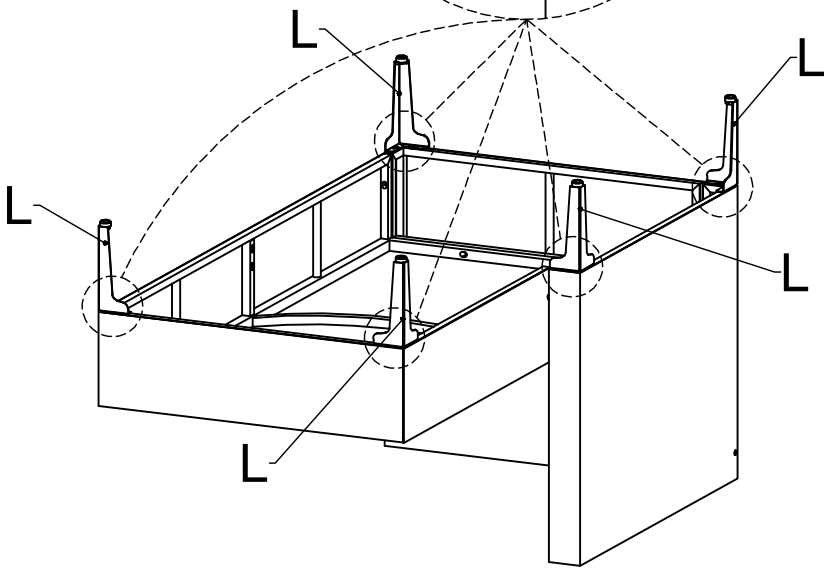
- ⑤ x 1

M6*70mm
- ⑥ x 1




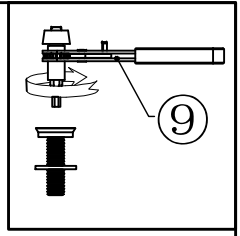
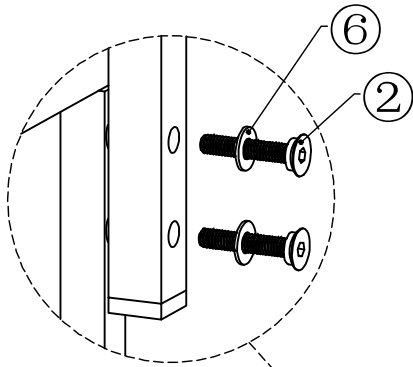
STEP 4





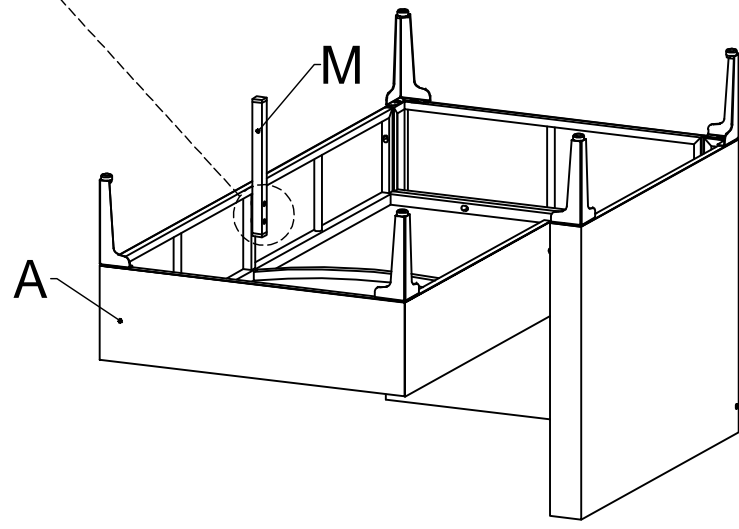
- ① x 10

M6*15mm
- ⑥ x 10




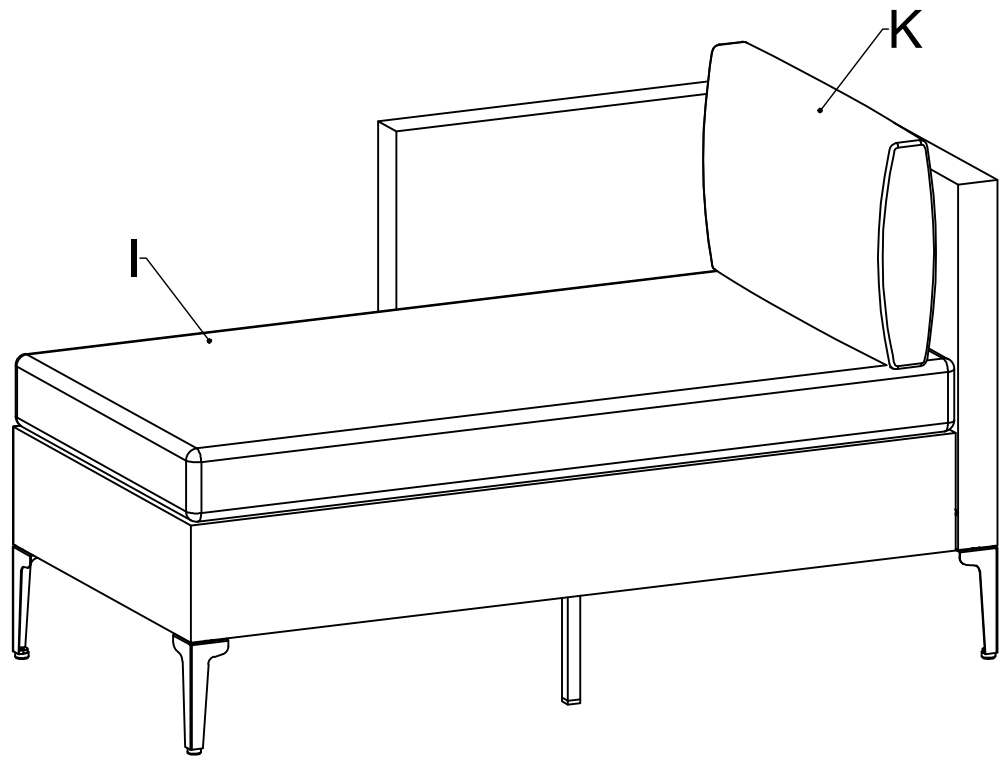
STEP 5



- ② x 2

M6*30mm
- ⑥ x 2


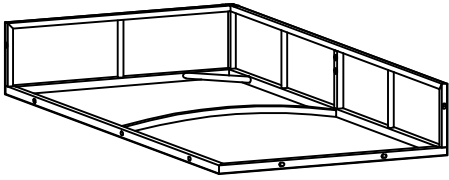


STEP 6

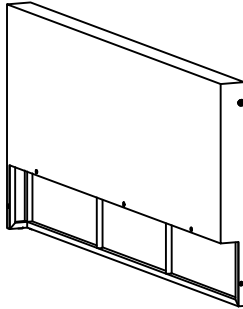


1Pc Double Seat Left Armrest Sofa

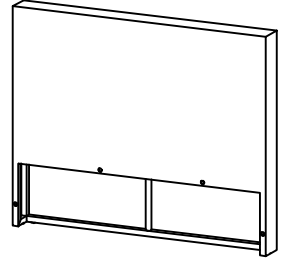
D x 1



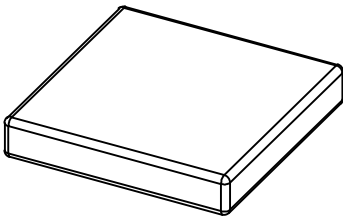
E x 1



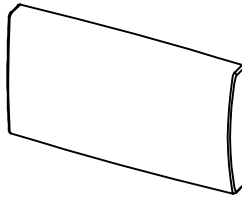
F x 1



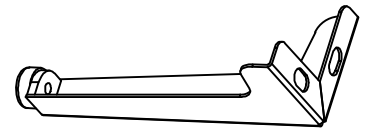
J x 2



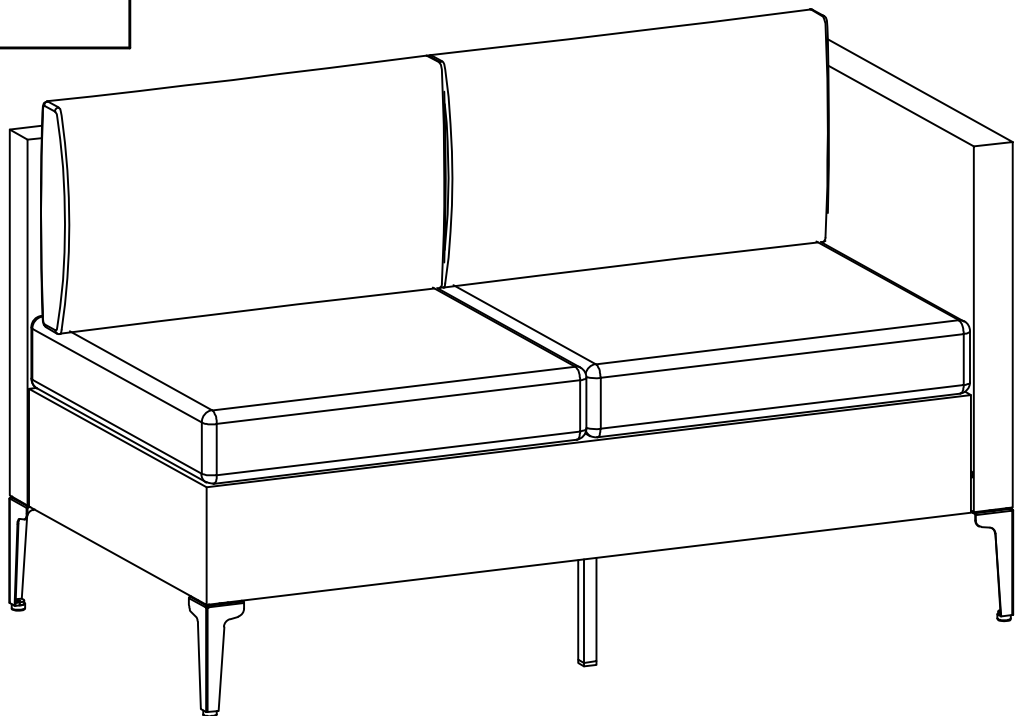
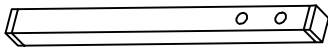
K x 2



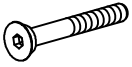
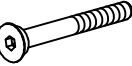


L x 4

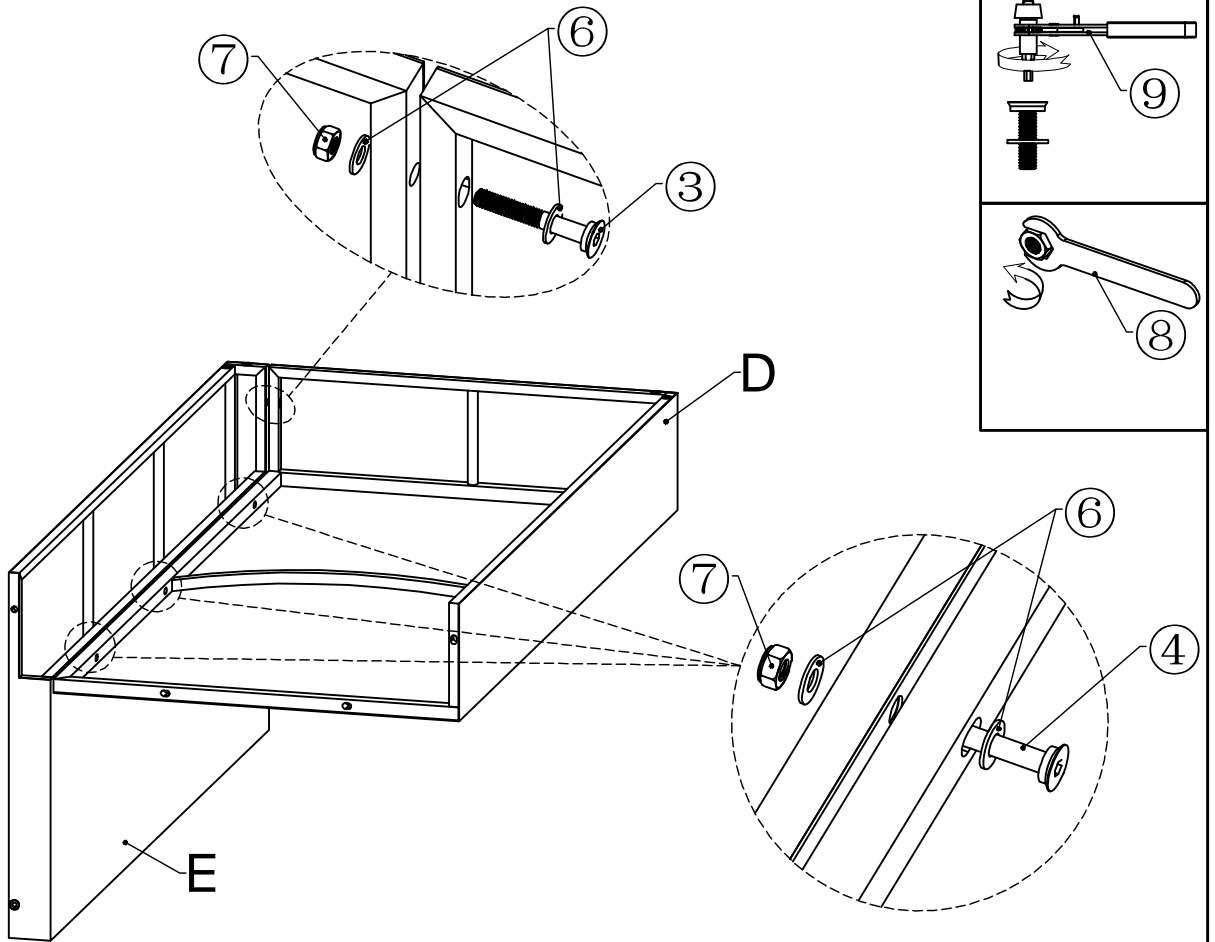


M x 1

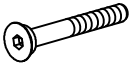
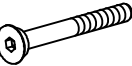




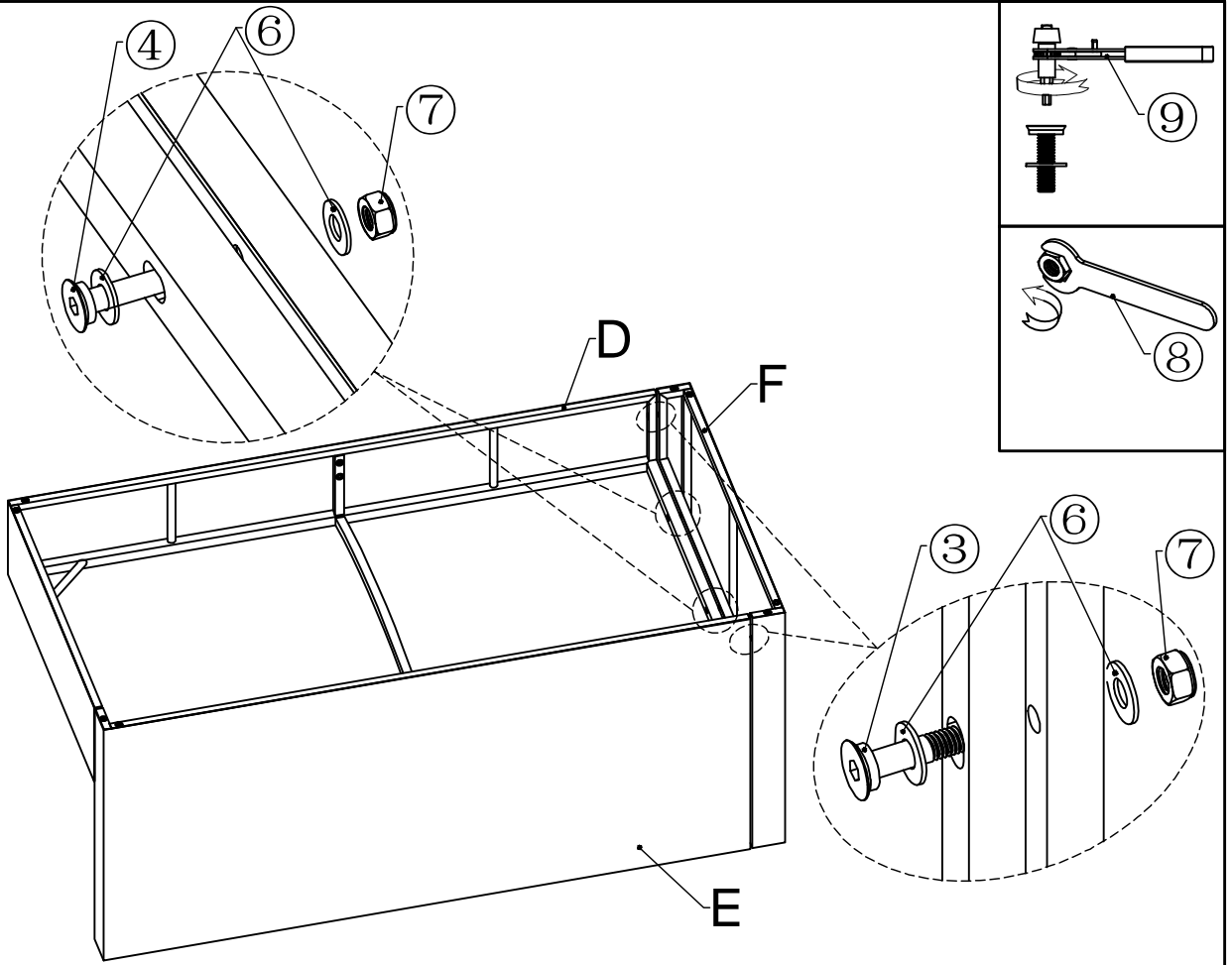
STEP 1

- ③ x 1

M6*40mm
- ④ x 3

M6*50mm
- ⑥ x 8

- ⑦ x 4


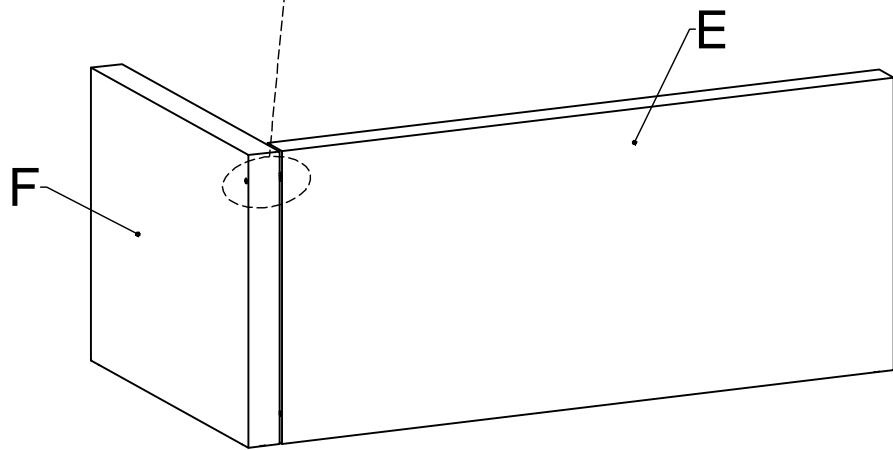
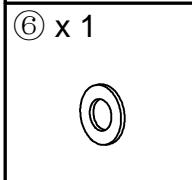
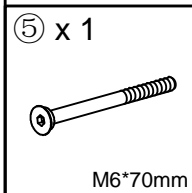
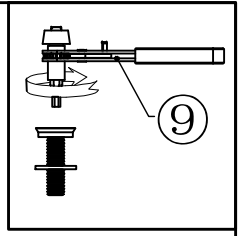
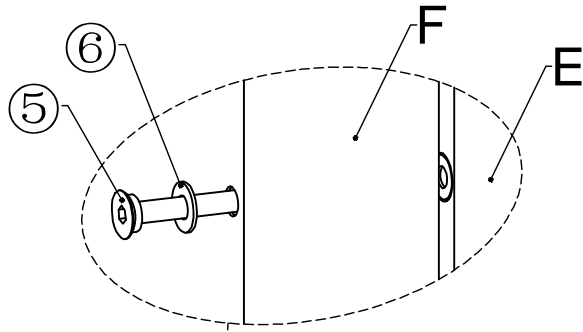


STEP 2

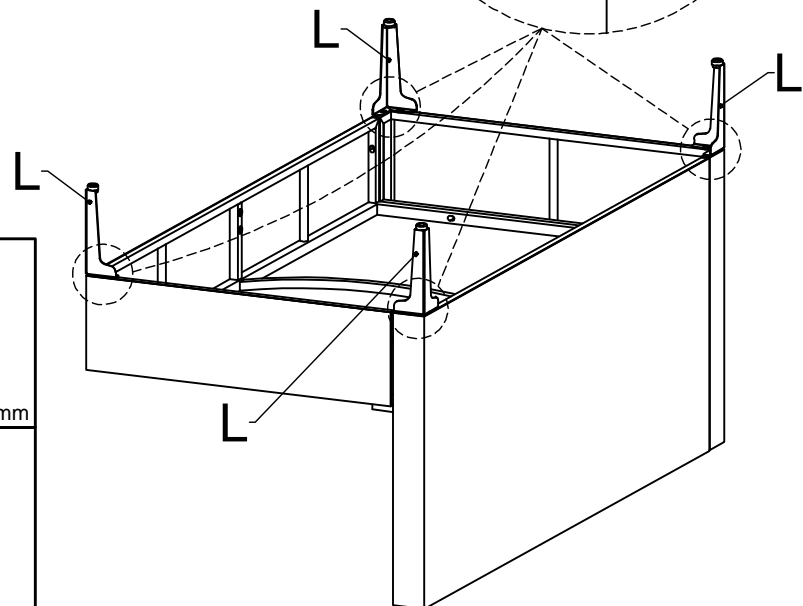
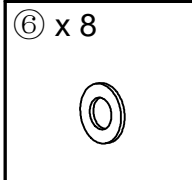
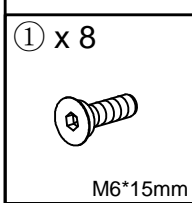
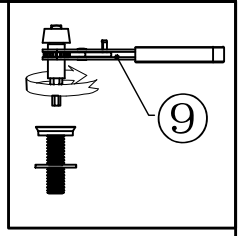
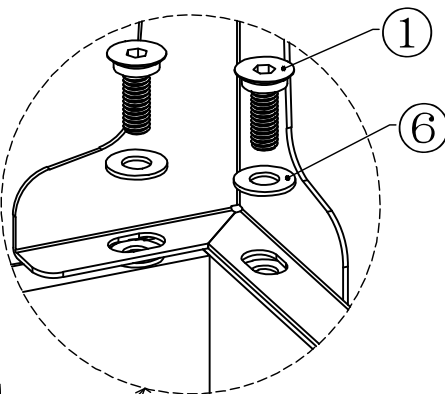
- ③ x 2

M6*40mm
- ④ x 2

M6*50mm
- ⑥ x 8

- ⑦ x 4




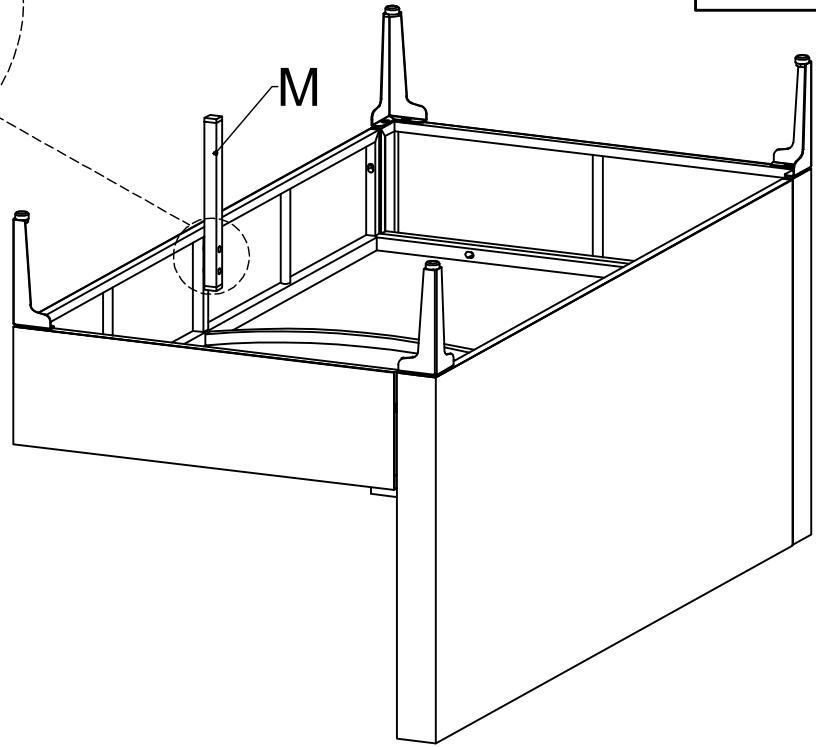
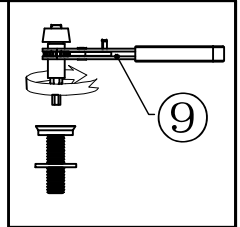
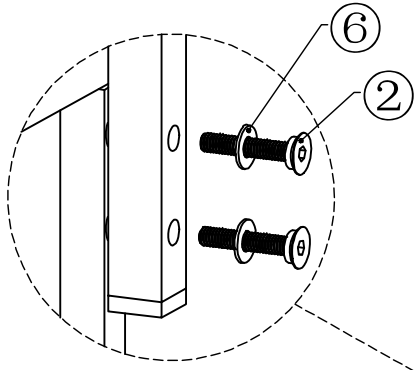
STEP 3



STEP 4



STEP 5



② x 2

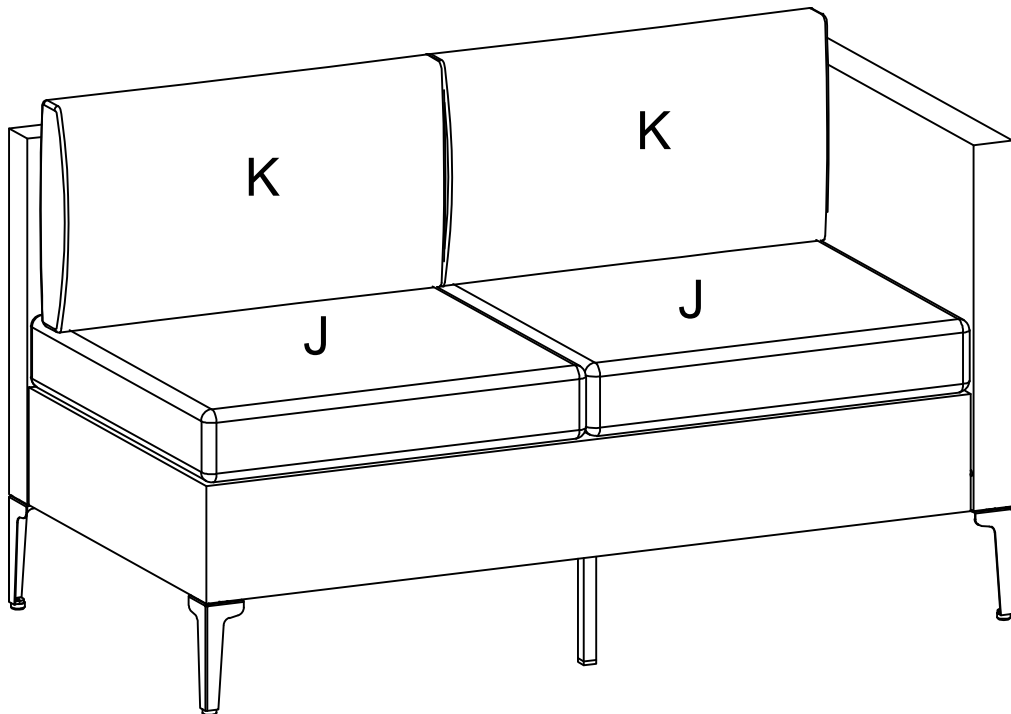


M6*30mm

⑥ x 2

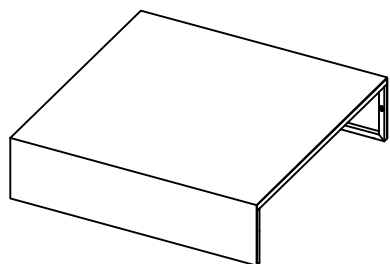


STEP 6

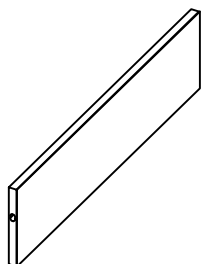


1Pc Coffee Table

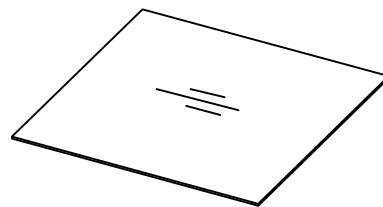
G x 1



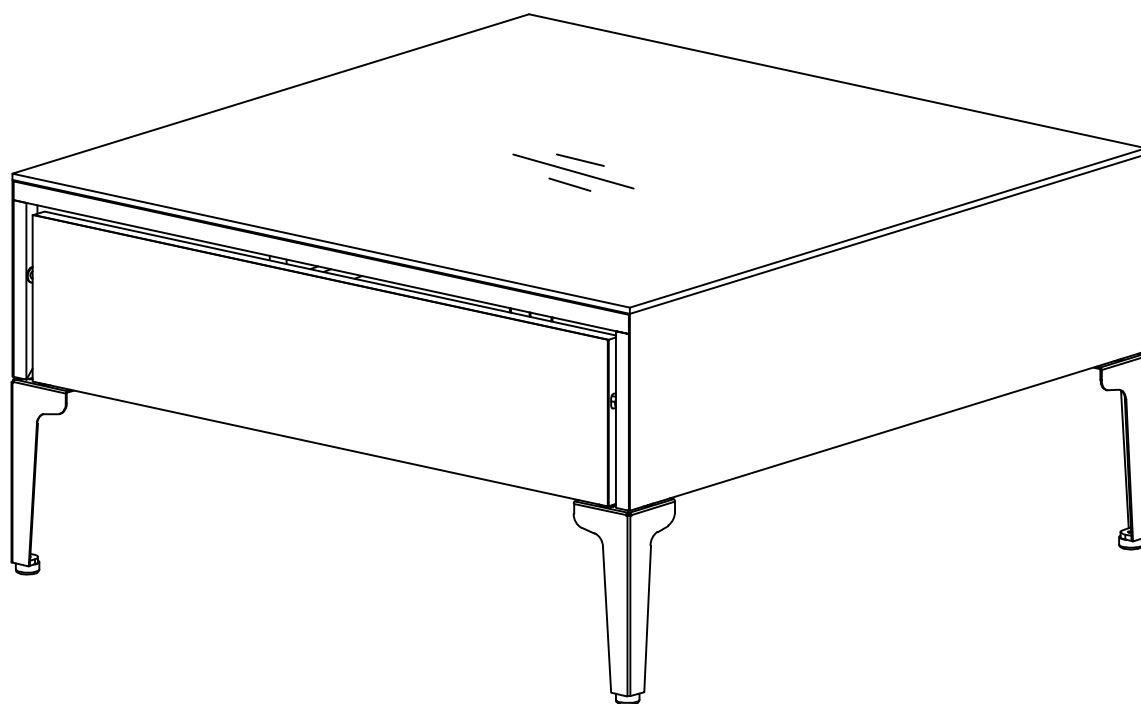
H x 2



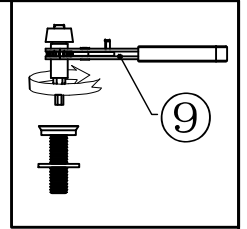
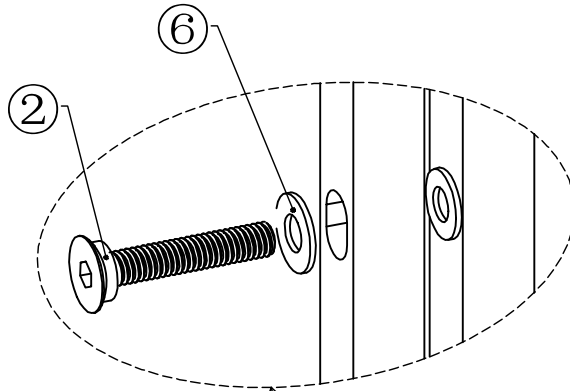
N x 1



L x 4



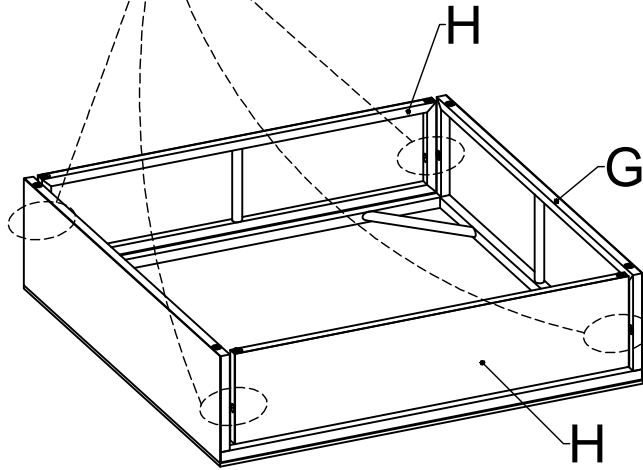
STEP 1



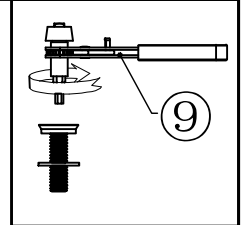
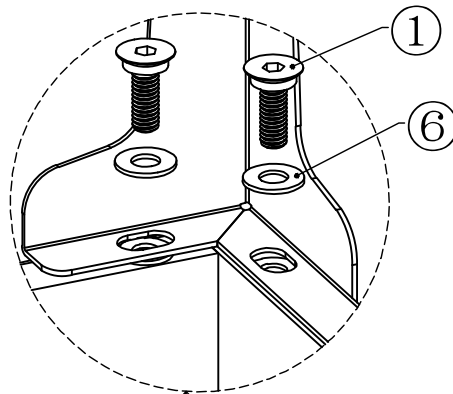
② x 4

M6*30mm

⑥ x 4



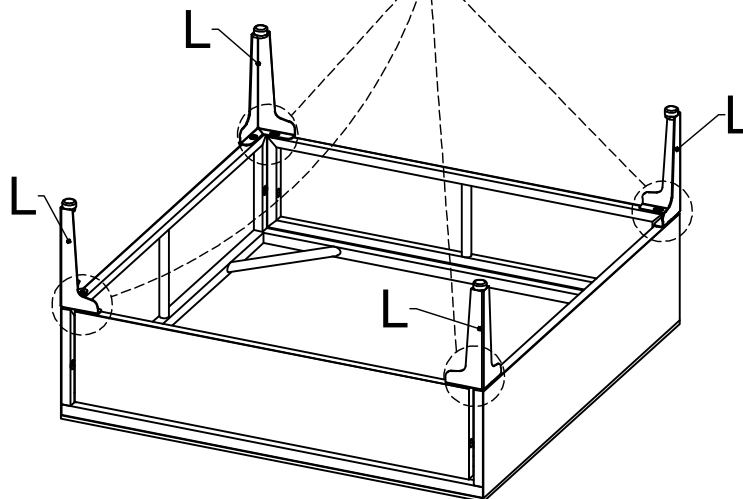
STEP 2

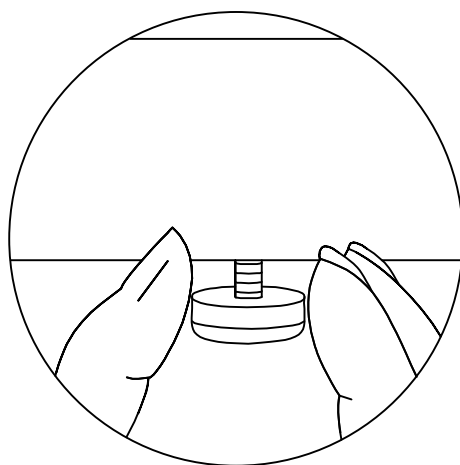
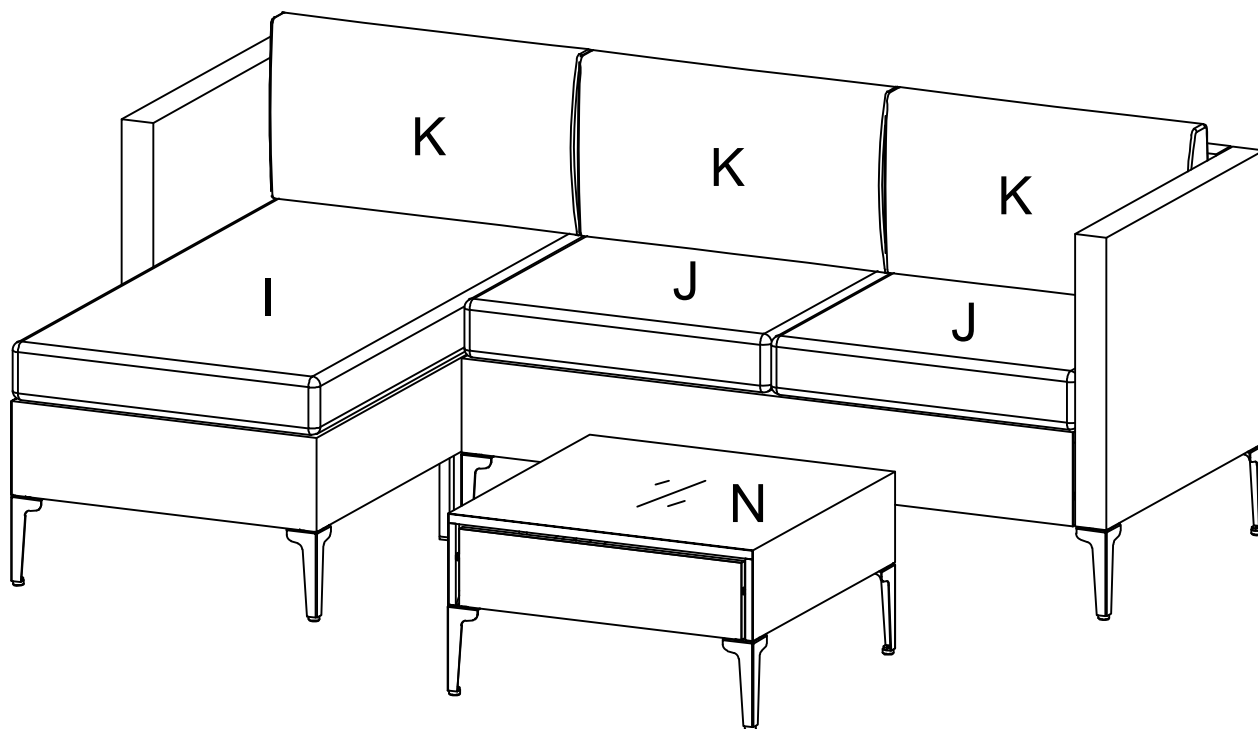


① x 8

M6*15mm

⑥ x 8





The adjustable feet are used to regulate the height of the product legs, ensuring stability and preventing wobbling. Rotate the feet as needed for proper adjustment.