

# 6 Person Rectangular Garden Table

## ! NOTICE

Please retain these instructions for future use.

Care should be taken when assembling the product. If you notice any required parts are missing please contact get in touch via [cs@cheaper-online.co.uk](mailto:cs@cheaper-online.co.uk).

Please stop using the product if any parts are broken, damaged or worn. We strongly advise awaiting repairs or factory replacements being installed before use in such cases.

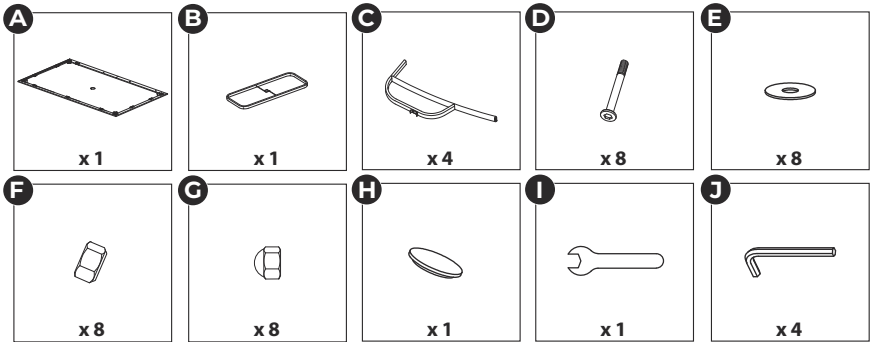


TWO  
PERSON



APPROX.  
25 MIN SETUP

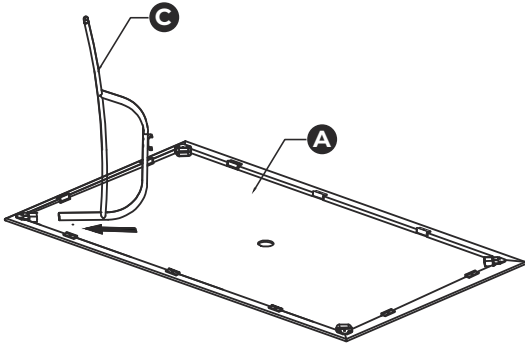
## HARDWARE & PARTS



# 6 Person Rectanquar Garden Table

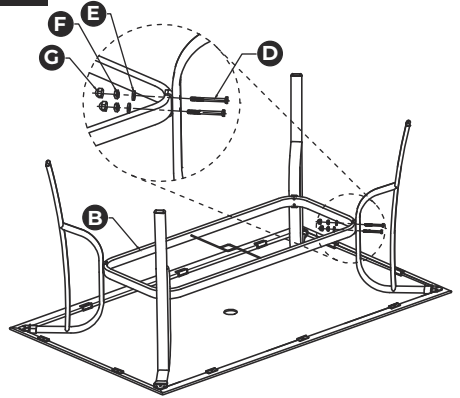
## PRODUCT ASSEMBLY

1



Attach all 4 legs (part C) to each corner of the table, using the plastic slots provided.

2



Secure the support rail (part B) to the legs using the provided washers, nuts and bolts. Do not tighten the nuts and bolts fully until assembled.

3

