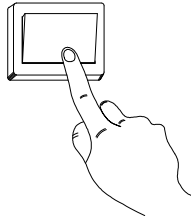
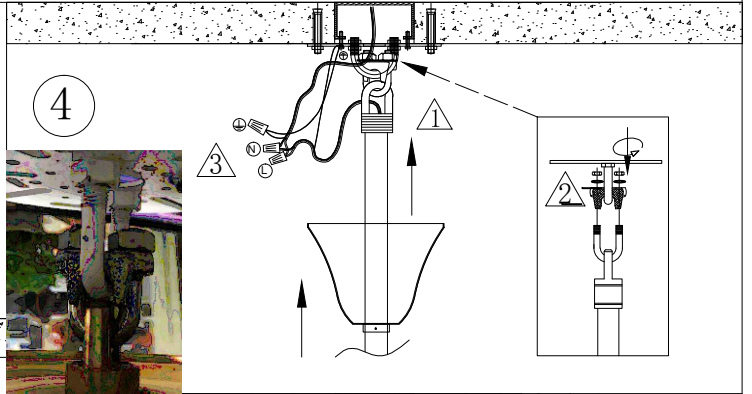


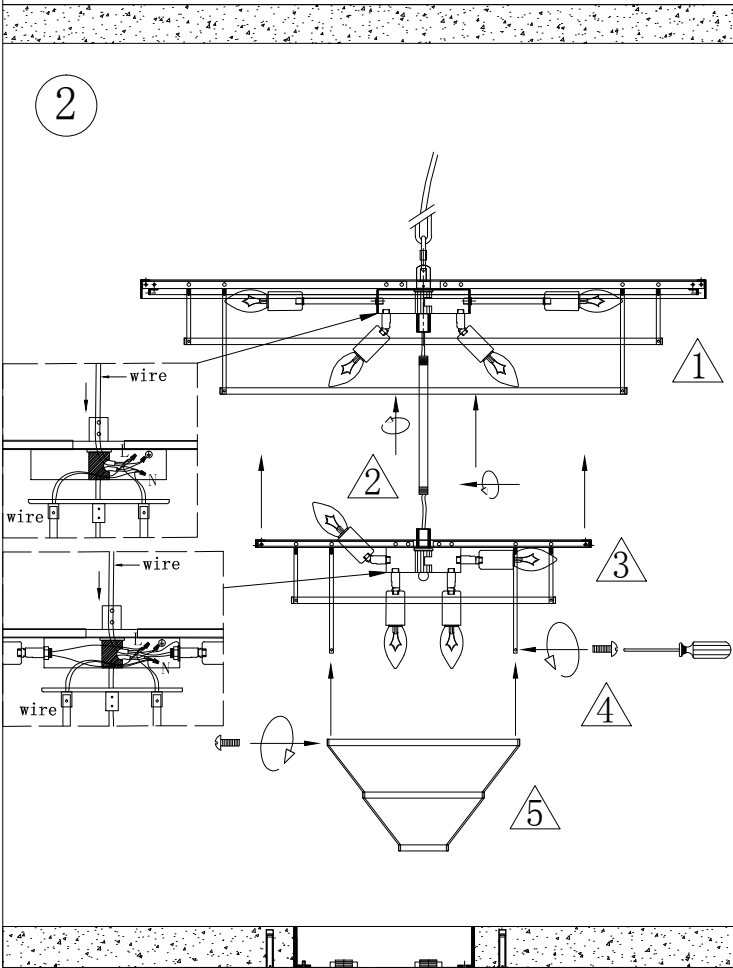
INSTALL INSTRUCTION



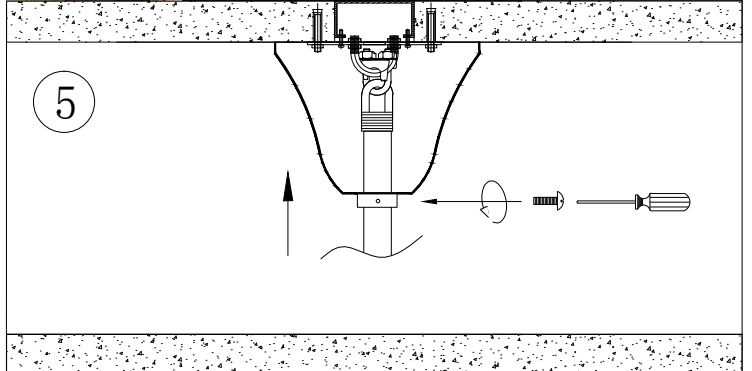
1



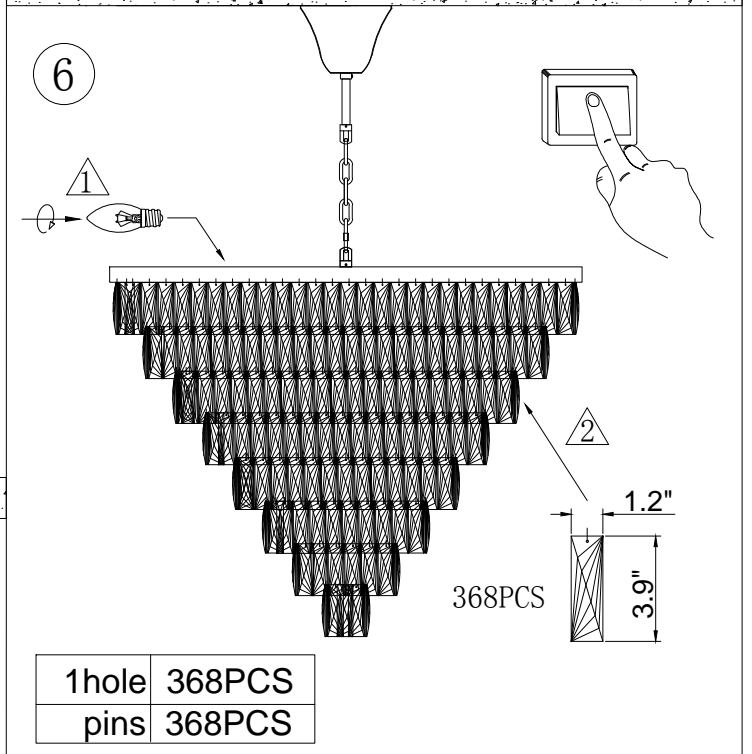
4



2



5



6

1hole	368PCS
pins	368PCS

1 turn off the power

4 Connect the power cord and the lamp rack

2 Assemble the lamp holder, see the detailed drawing

5 Lock the screw to fix the bell

3 Fixed hanging plate on ceiling

6 Lock the light source, hang the crystal, and finally turn on the light