

PRODUCT MANUAL



ATTENTION! PLEASE READ THESE INSTRUCTIONS BEFORE USING THIS DEVICE

PRODUCT MANUAL



NOTICE:

If your package is missing parts or you are having issues with assembly, please call us directly, Our customer service team will address any questions or concerns you may have.

Have this manual open and ready for reference.

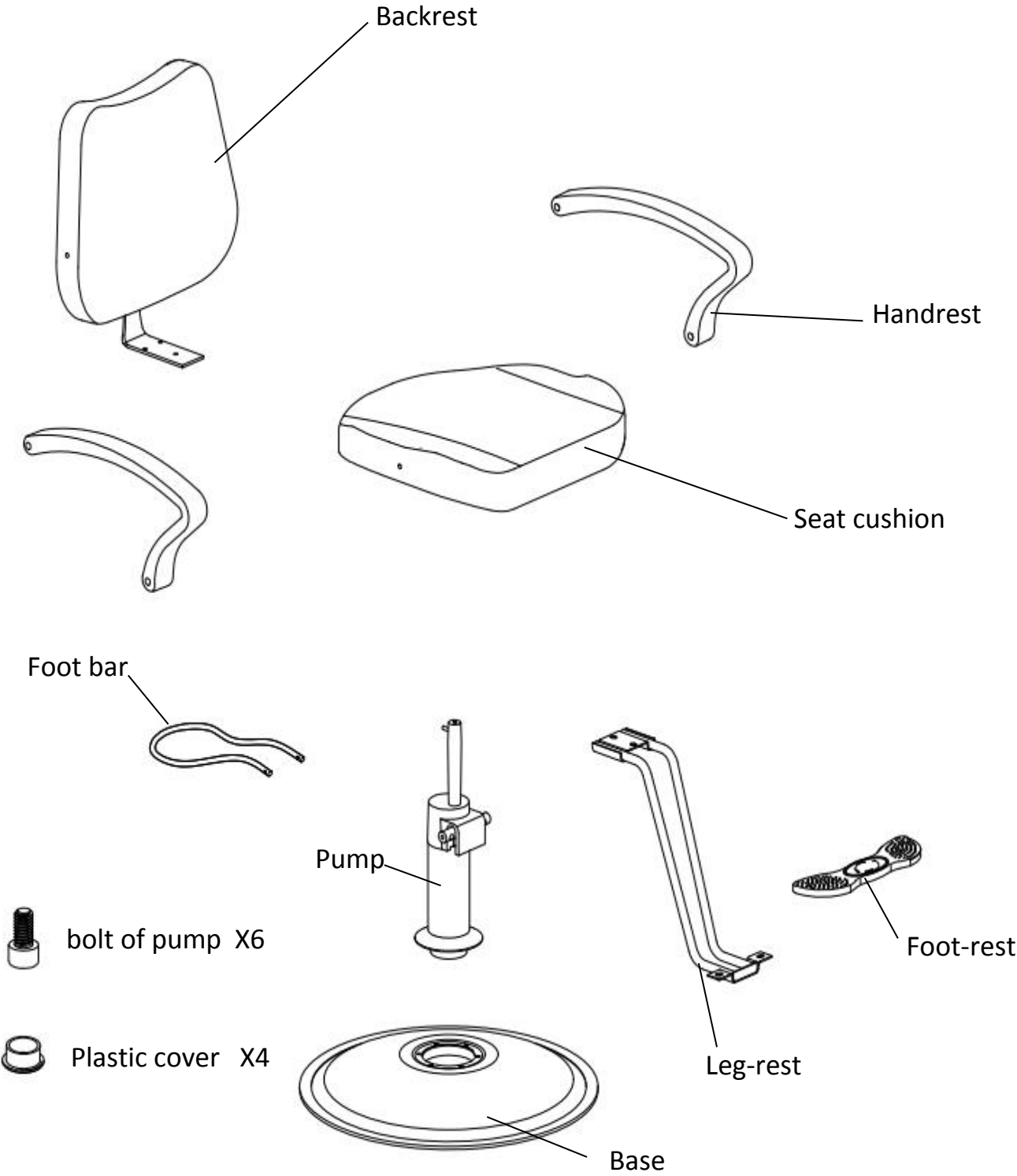
SAFETY



To reduce risk of injury when assembling & using the chair, follow these precautions:

- Read all of these instructions before assembling and using your salon chair.
- It is helpful to have 2 people assemble and turn the chair upright after assembling.
- Do not over-extend the chair(0~150kg), creating the risk of falls or tipping the chair, and its occupant over, resulting in injury

PARTS & FEATURES



INSTALLATION INSTRUCTION

First: Installation hydraulic pump to the base

Parts needed: Base + pump + foot bar

Step 1: Insert threaded bolts on bottom of Pump into holes on top of Base. Tighten 6 locking nuts onto threaded bolts.

(Easiest when set on side, supported by a sturdy object.)

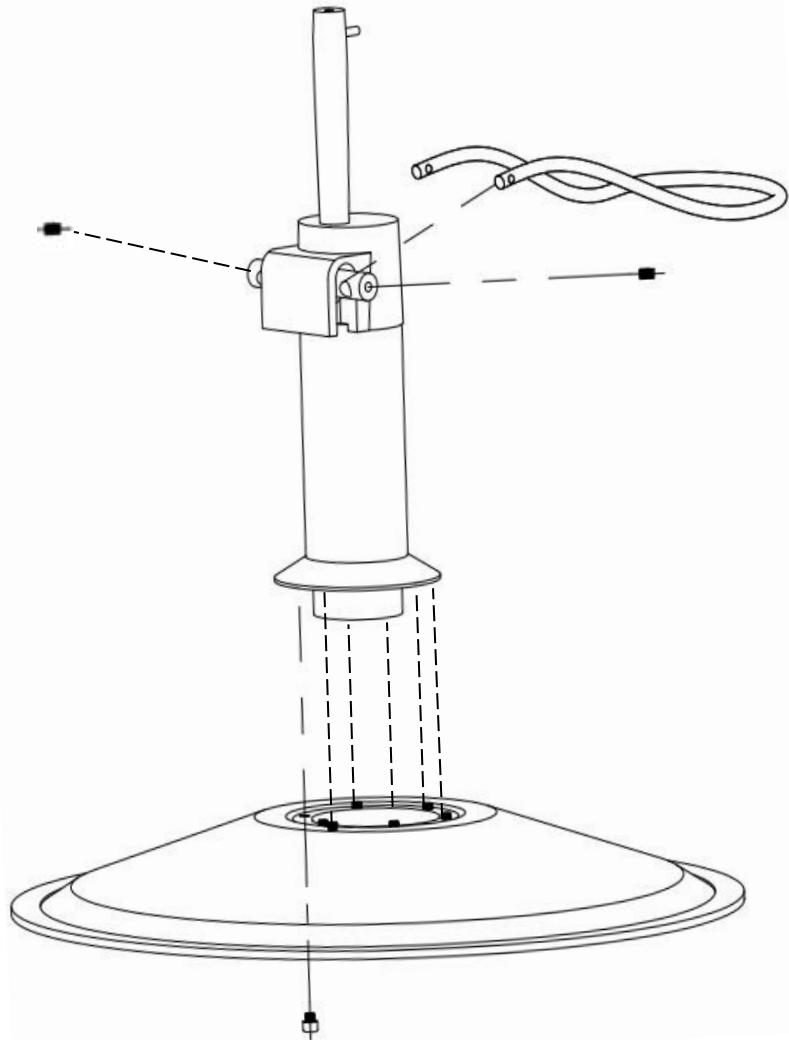
Step 2: Place assembled Base & Pump on floor. Use Allen Wrench to loosen the screws

in the crossbar. See photo besides.

Insert Foot Bar into the holes of the crossbar.

(May require slightly squeezing ends of Foot Bar towards each other, and some maneuvering for the bar ends to go into place.)

Step 3. Tighten the set



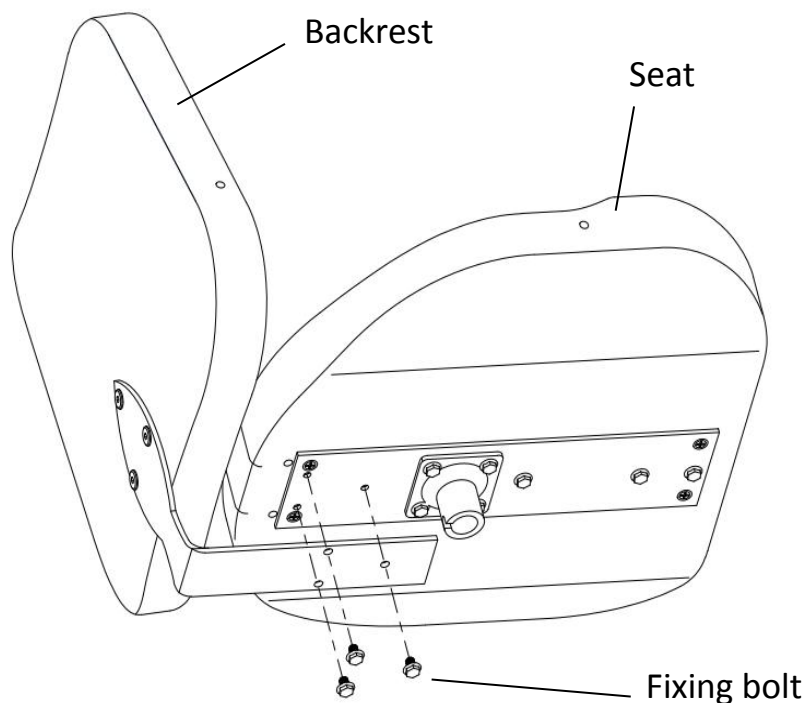
Second: Install backrest to the seat cushion

Parts needed: seat cushion + backrest

Step 1 . Remove the 3 fixing bolts which Pre-fixed on the seat cushion .

Step 2 . Install backrest to the seat cushion by the 3 fixing bolts which given from the seat cushion.

Please follow up the diagram beside



Third: Install handrests to the installed seat cushion & backrest

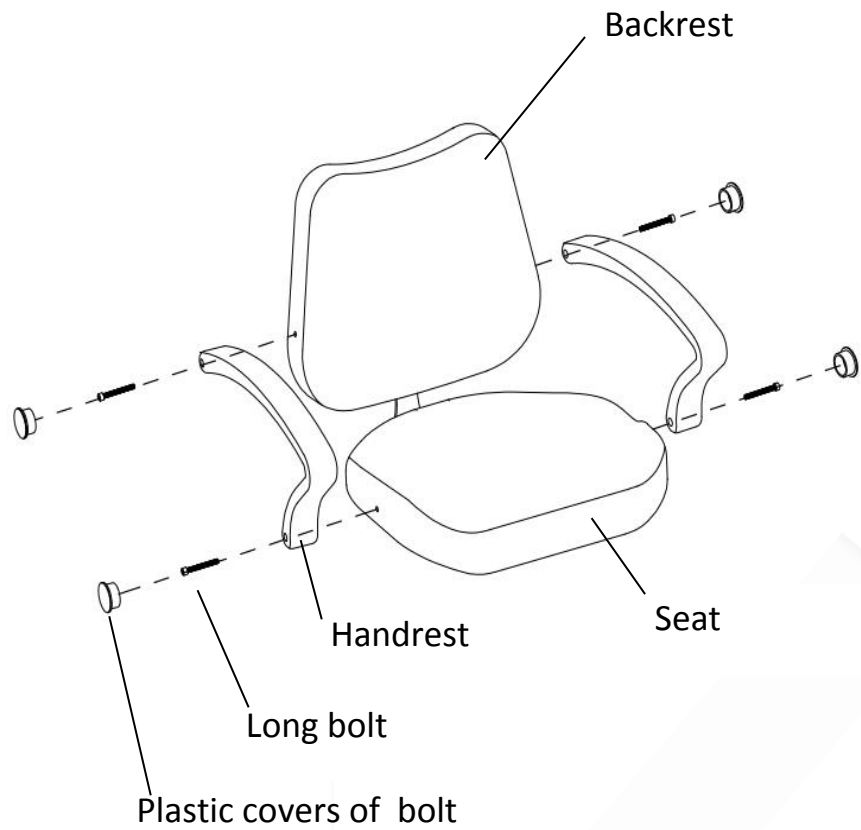
Parts needed: 2 handrests + installed seat cushion & backrest + 4 Plastic covers of bolt

Step 1 : Remove 4 long bolts which pre-fixed on the backrest and seat cushion.

Step 2 : Install 2 handrest to the seat cushion & backrest by the 4 long bolts which given from seat cushion and backrest .

Step 3 : Install 4 plastic covers of bolt to the 2 handrests.

Please follow up the diagram beside

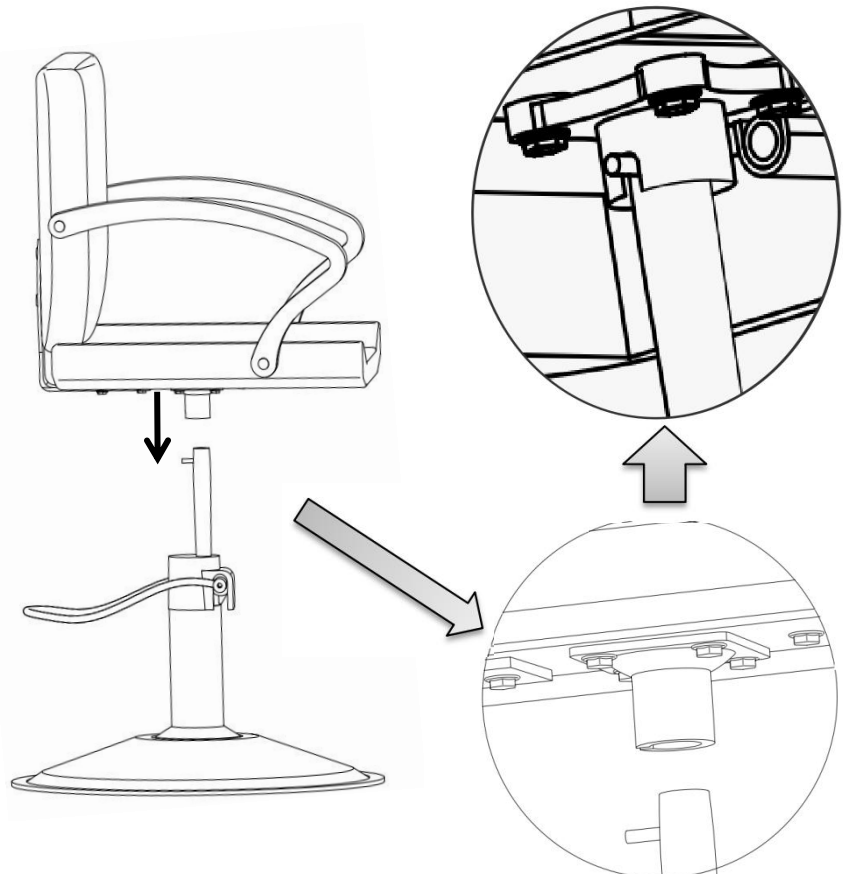


Fourth: Install the installed seat to the installed base&pupm

Parts needed : Installed seat + installed base&pupm

Step 1: Place the installed seat onto the hydraulic pump (please note the pin on the pump toward the gap of the pump joint)

Please follow up the diagram beside.



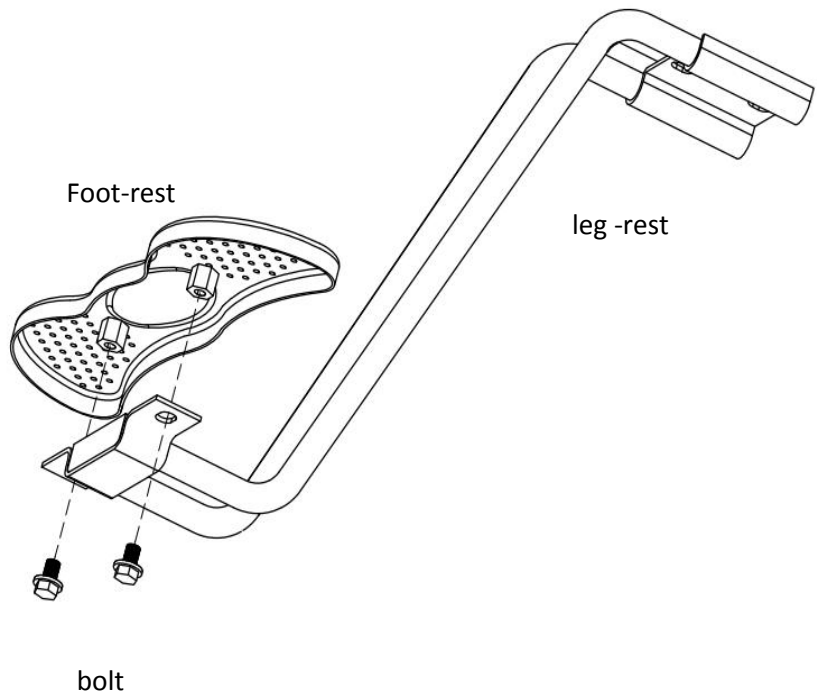
Fifth: Install foot-rest to the Leg-rest

Parts Needed: Leg support + Footrest

Step 1: Remove 2 bolts which pre-fixed in the footrest

Step 2: Install the leg-rest to the leg-rest by the 2 removed bolts and tighten them.

Please follow up the diagram beside.

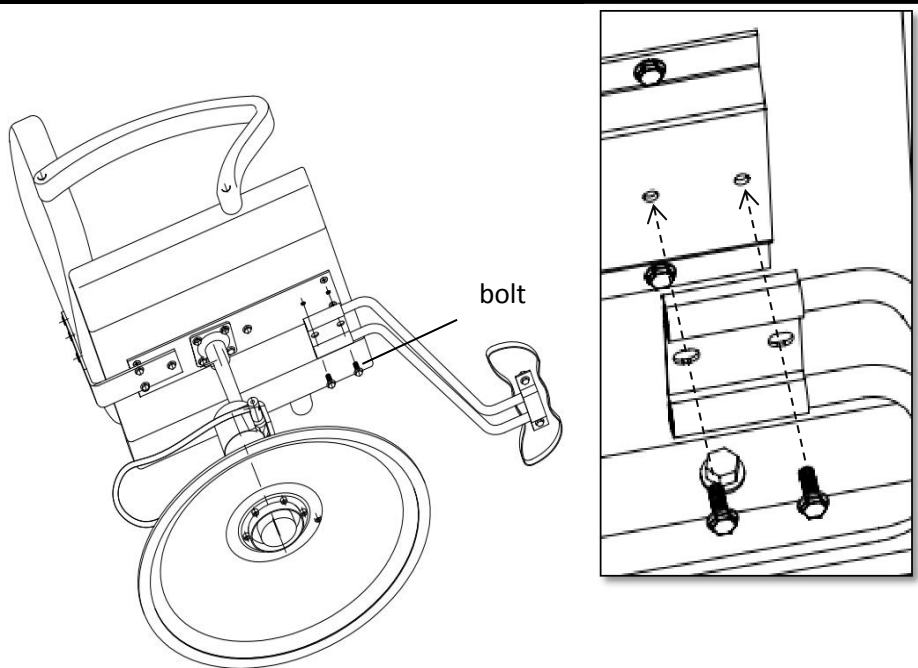


sixth: install the installed footrest on the seat

Step 1 : Remove 2 bolts which pre-fixed in the seat

Step 2 : Install the installed footrest to the seat by the 2 given bolts and tighten them

Please follow up the diagram beside.



OPERATING THE CHAIR

- Step down on the Foot Bar repeatedly to raise the chair.

- Step down and hold the Foot Bar to allow chair to lower.

- Hold the Foot Bar up to keep the chair still .

- Do not over-extend the chair, creating the risk of falls or tipping the chair and its occupant over, resulting in injury

