

ASSEMBLY INSTRUCTION

Sleeper Sofa Bed

Notes Before Assembly

1. This Loveseat Sleeper Sofa combines the functionality of a pull-out bed. You can pull out the bed or fold it up depending on your preference.
2. The sofa is shipped in multiple boxes. We recommend that you unpack and begin assembly only after receiving all boxes. If any parts are damaged or missing, there's no need to return the product. We'll be happy to assist you and send replacement parts free of charge.
3. To ensure safe and satisfactory assembly, please read the following instructions carefully. Arrange for 2-4 adults to assemble the sofa based on the product size. It's important to assemble it on a clean, scratch-free surface. **Please keep all Boxes until assembly is completed.**
4. Some key components of your product may be stored inside other parts. Please open any zippered or hook-and-loop compartments to retrieve all parts. (For example, **some side panels are hidden inside the backrest (part B).**)
5. Our cushions are vacuum-packed for easy shipping. Please allow 2-3 days for them to fully expand to their original shape and remove any wrinkles.



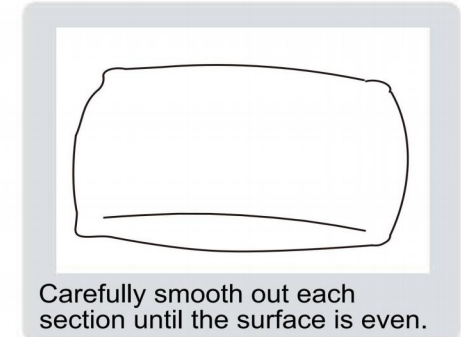
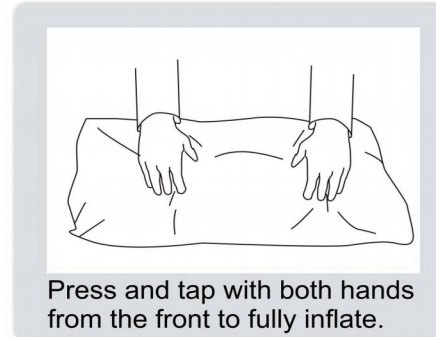
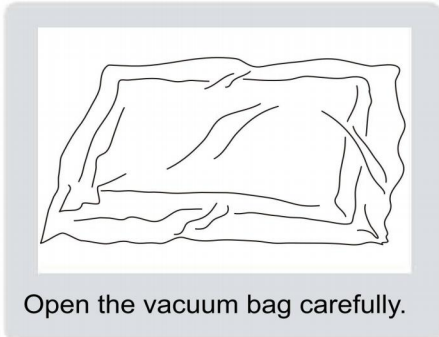
Safety and Care Advice

Important – Please read these instructions fully before starting assembly

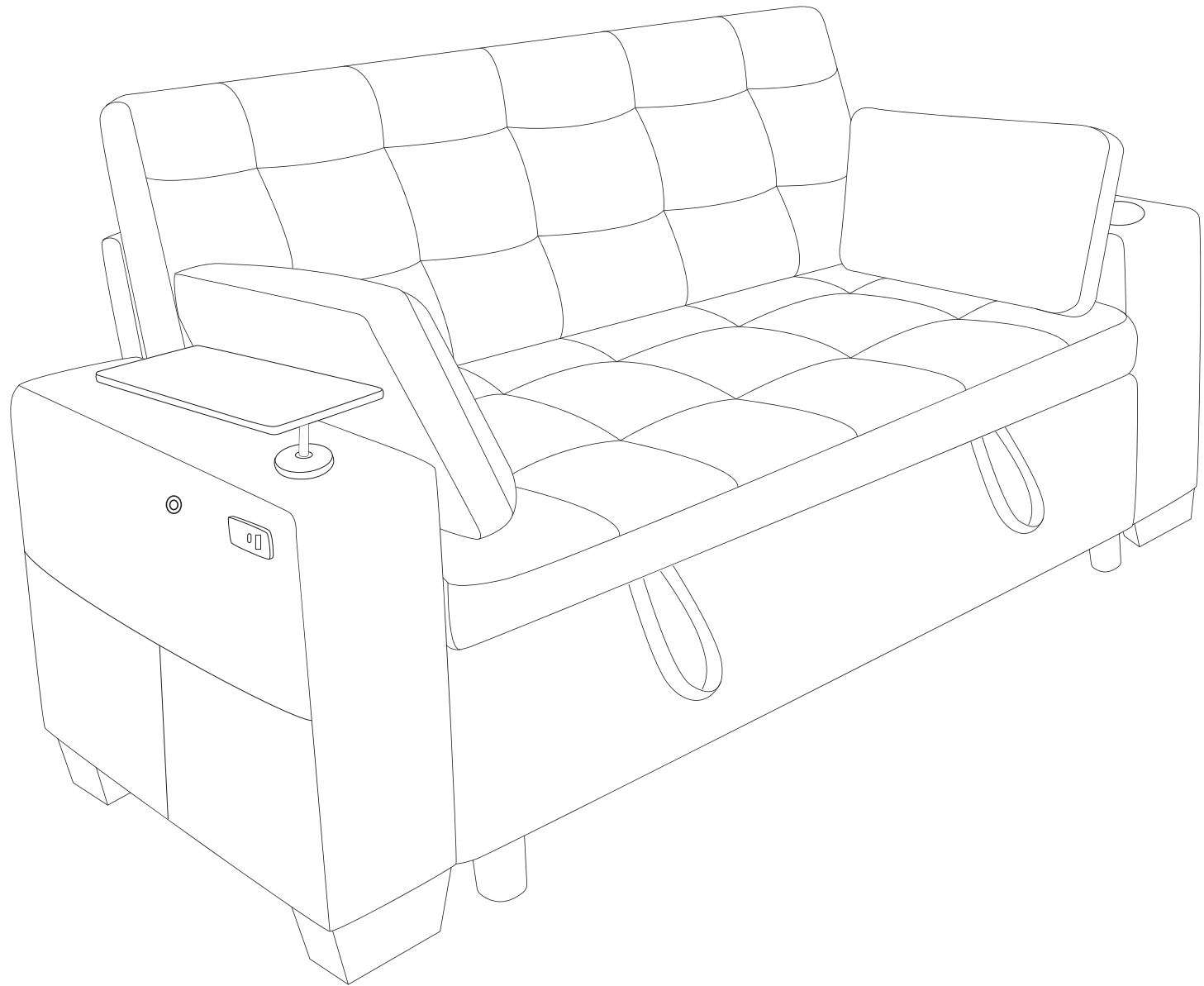
Thanks for your purchase. Before the assembly, please follow the instruction to check if all the spare parts and screws are intact.

- Considering the size and weight of the sofa, we recommend two adults to assemble the sofa, on a carpeted or padded area, in the room that it is intended for. Approximate assembly time: 30 minutes.
- Keep all components and packaging out of reach of children or animals to avoid risk of choking or suffocation.
- Please do not throw away any of the packaging or the instruction until you have checked all the components and hardware and the furniture is fully assembled. Please ensure that the packaging is disposed of in a safe and environmentally friendly way.
- Please do not take off the cover, and do not wash.

Your cushions come vacuum packed and sealed for shipping. To restore the cushion's original shape, follow the steps below.



After packing up, place them in somewhere dry and ventilated. After about 72-96 hours, it can be restored to the best use condition.

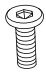
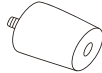

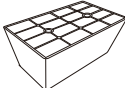






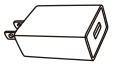


Packing List


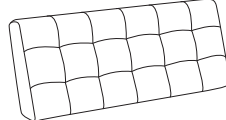
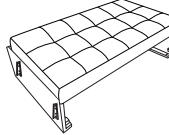
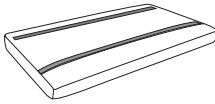
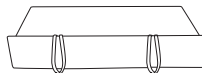



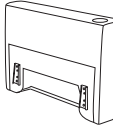
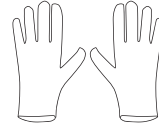
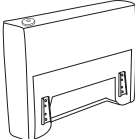
Seller's Notice:

- All accessories are packed in one box.
- Please make sure all items listed below are included before assembly.

Spare Parts :

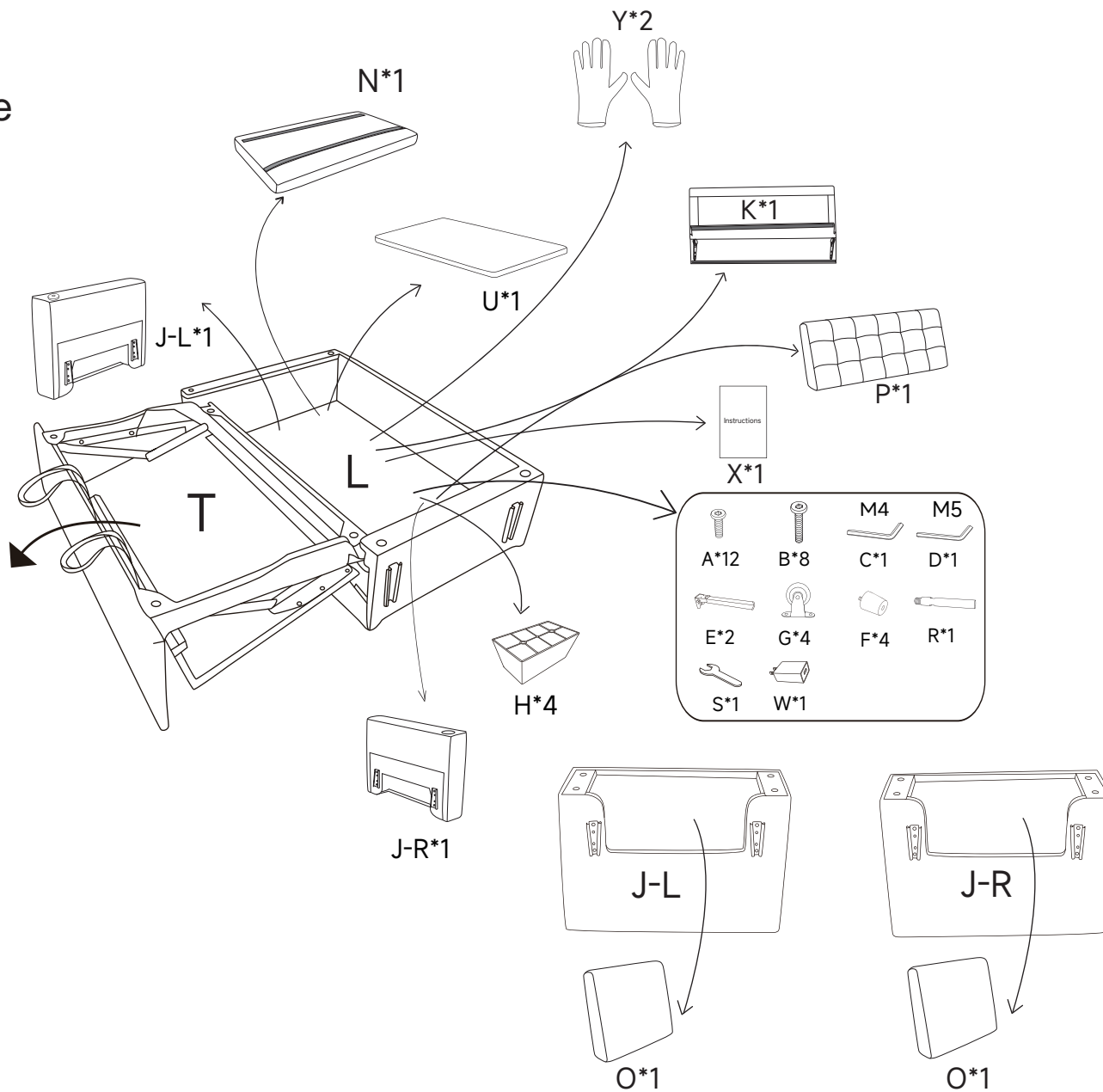
A		M6X20mm	x12	F		x4
B		M8X60mm	x8	H		x4
C		M4	x1	S		x1
D		M5	x1			
E			x2			
G			x4			
R			x1			
w		Charger	x1			

Main Components :

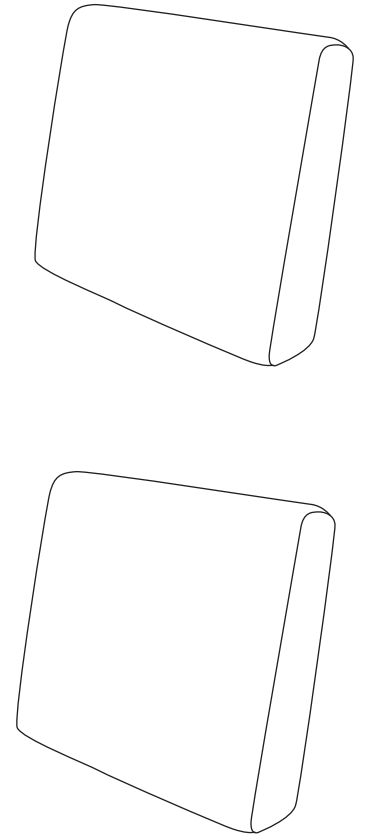
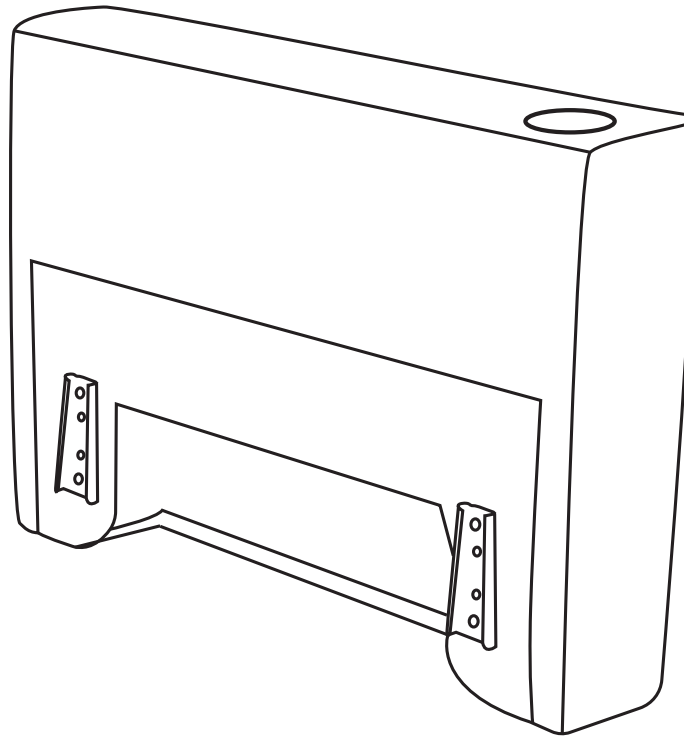
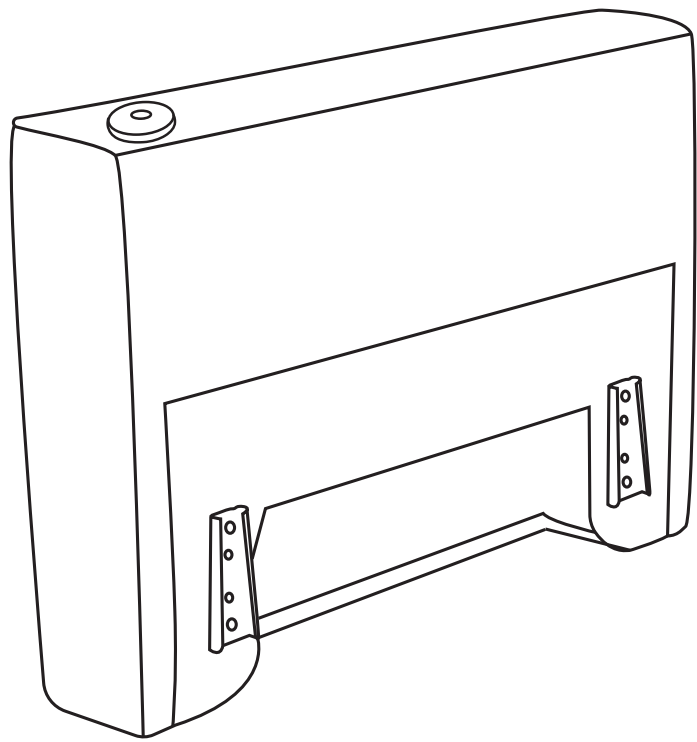
K		Back Frame	x1	p		Seat Cushion	x1
L		Seat Frame	x1	N		Back Cushion	x1
T		Pull out sofa tray frame	x1	U		Armrest table	x1
O		Pillow	x2	X		Instructions	x1
J-R		Facing right armrest	x1	Y		Gloves	x2
J-L		Facing left armrest	x1				

Please Check and Take out the Parts According to the Diagram

Some accessories are stored in the Part L.
Pull out part T and take them out.

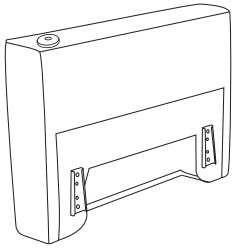


How to Install the Armrest Section



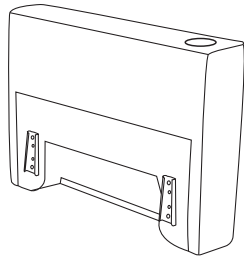
Main Structure Accessories

J-L



1pcs

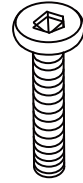
J-R



1pcs

B

M8X60mm



8pcs

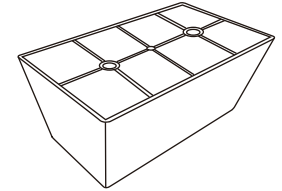
D

M5



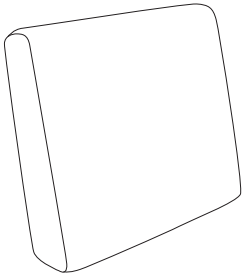
1pcs

H



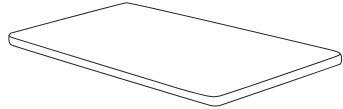
4pcs

O



2pcs

U



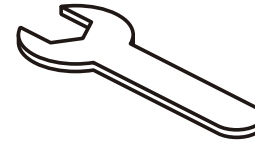
1pcs

R



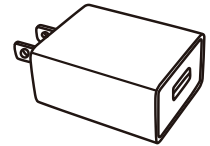
1pcs

S






1pcs

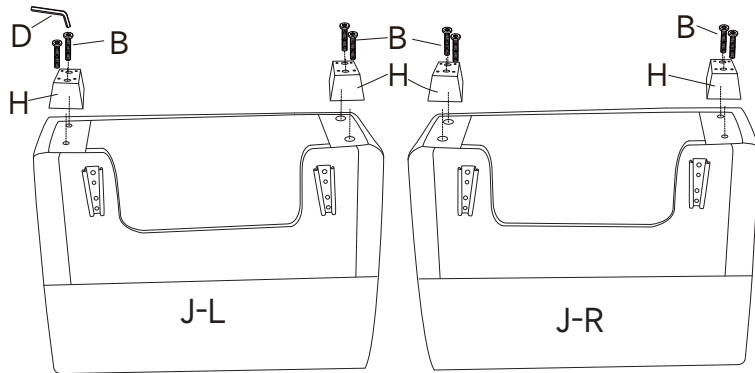
W






1pcs

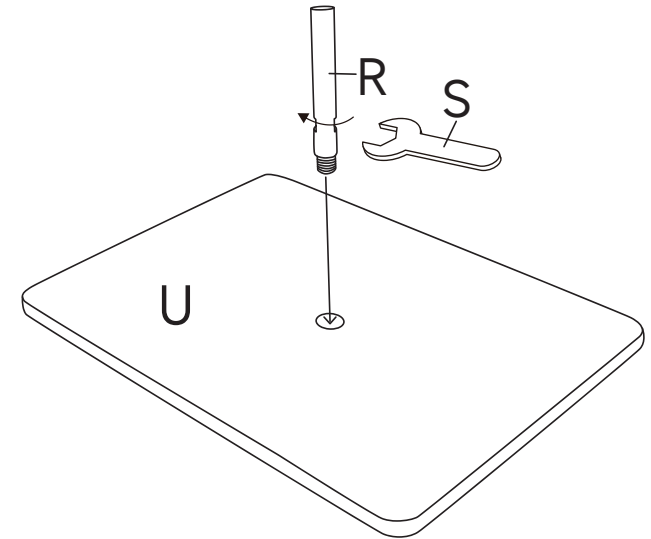
STEP 1

	B×8
	D×1
	H×4




STEP 2

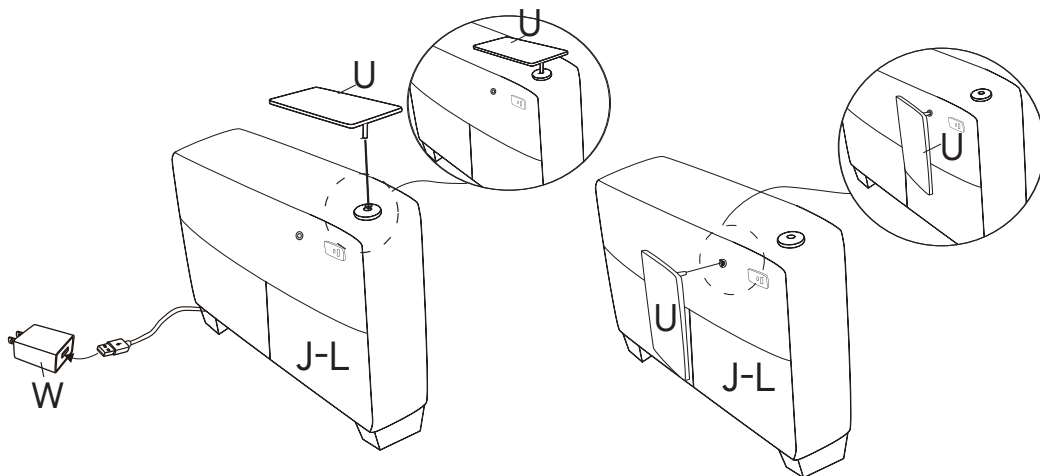
	R×1
	S×1
	U×1



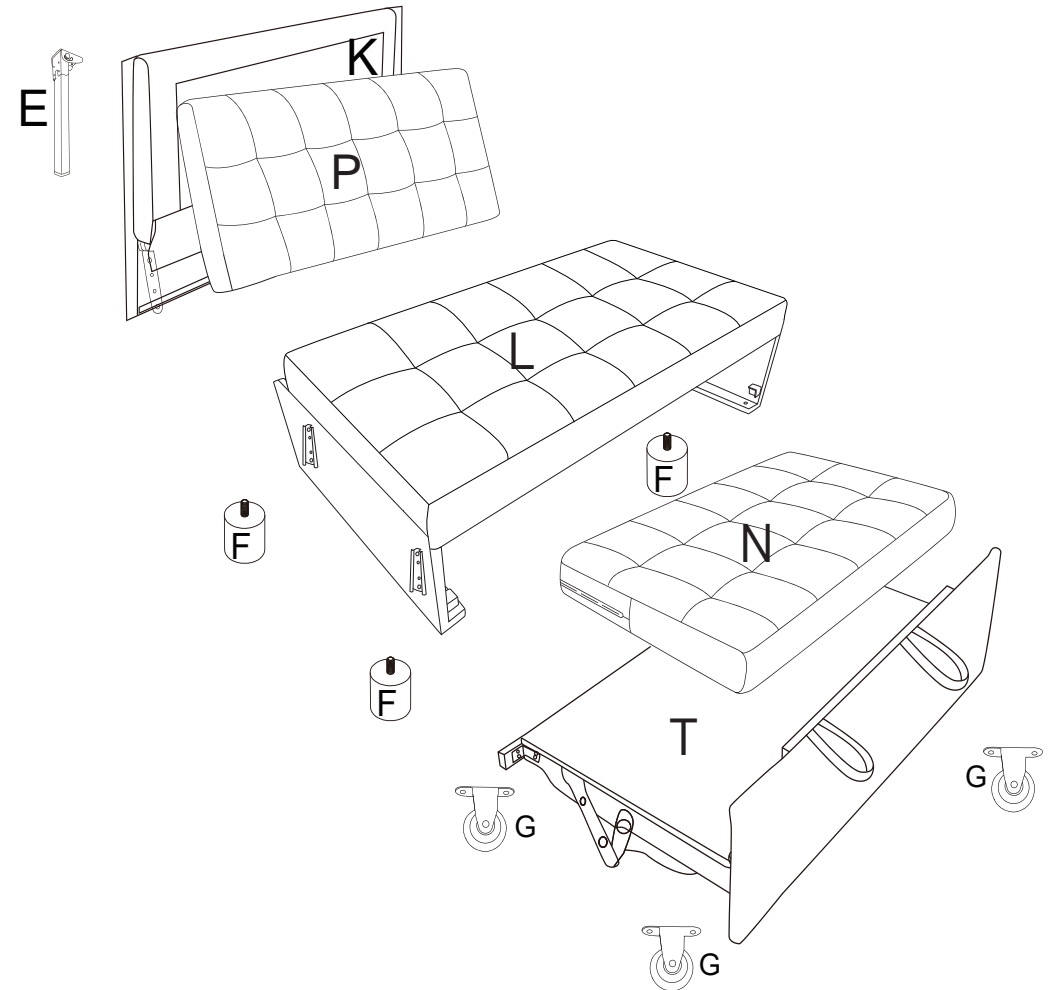
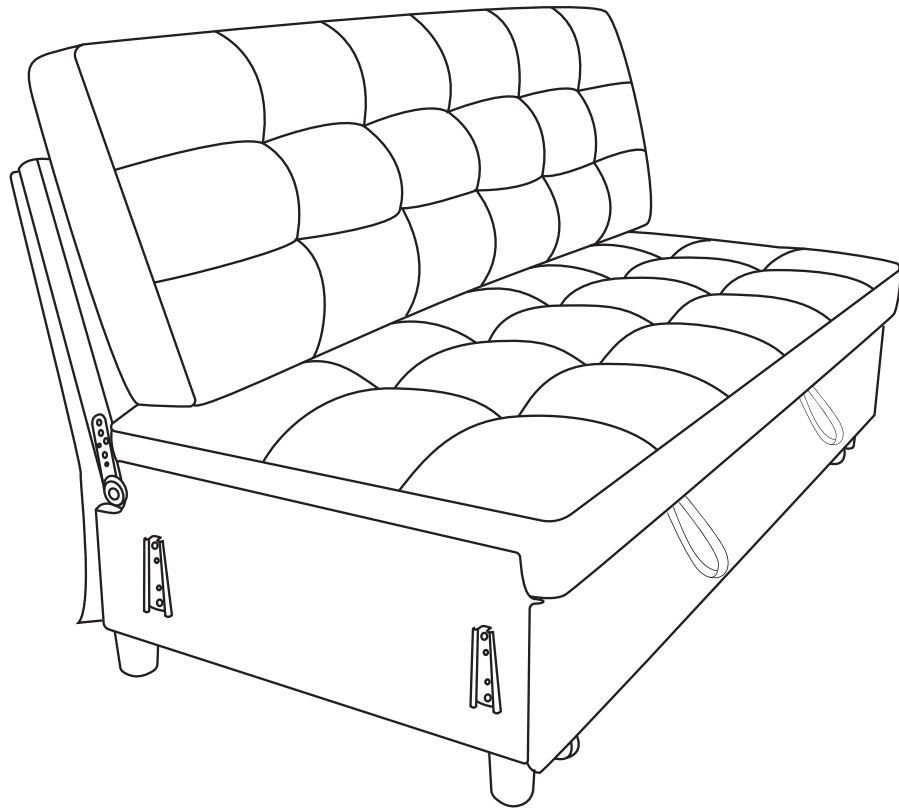
STEP 3

The U-accessory can be attached to the top or side of the J-L armrest based on your preference.

	W×1
--	-----

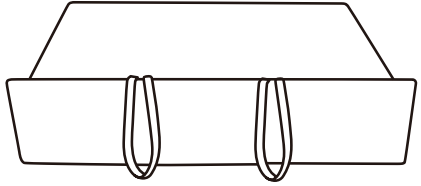


How to Install Loveseat Section



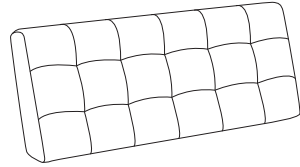
Main Structure Accessories

T



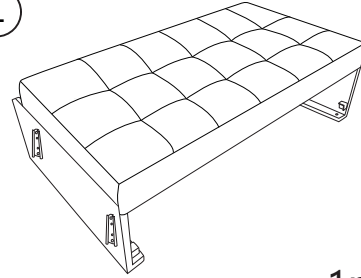
1pcs

P



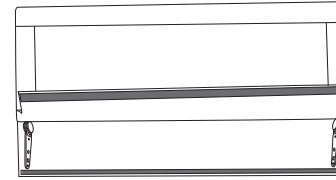
1pcs

L



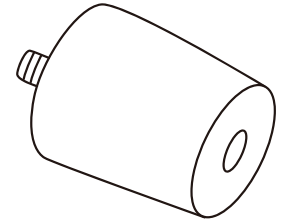
1pcs

K



1pcs

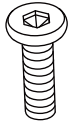
F



4pcs

A

M6X20mm



12pcs

C

M4



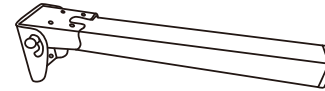
1pcs

G



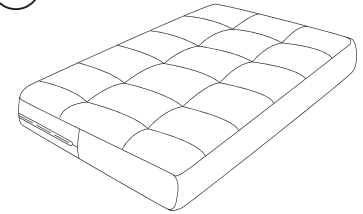
4pcs

E






2pcs

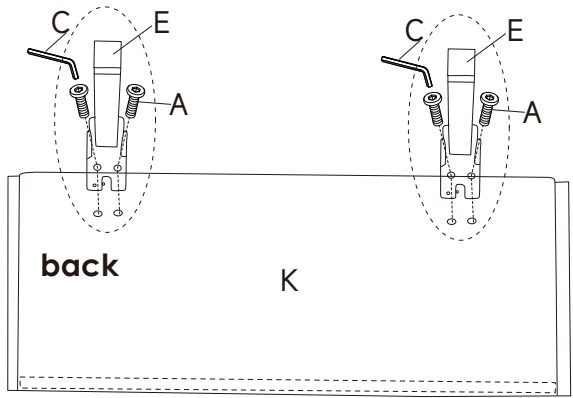
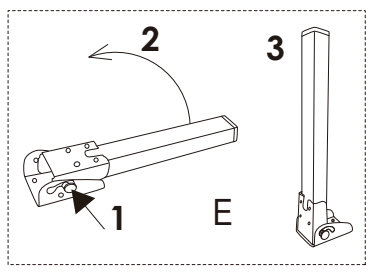
N




1pcs

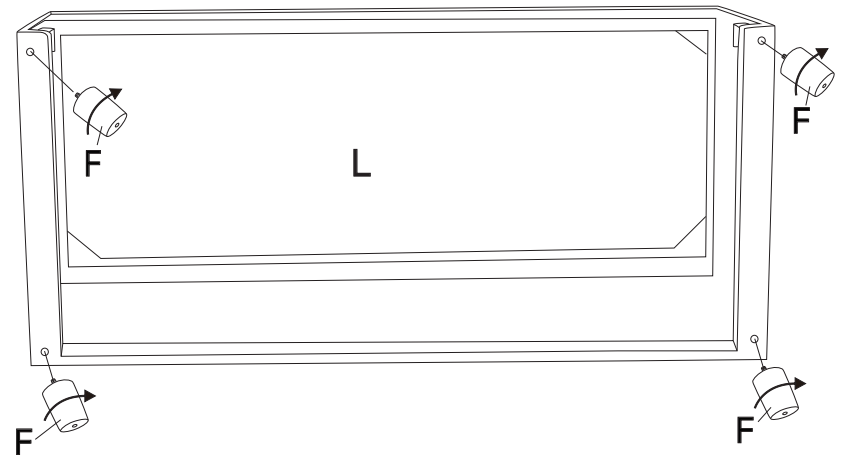
STEP 1

	A×4
	C×1
	E×2






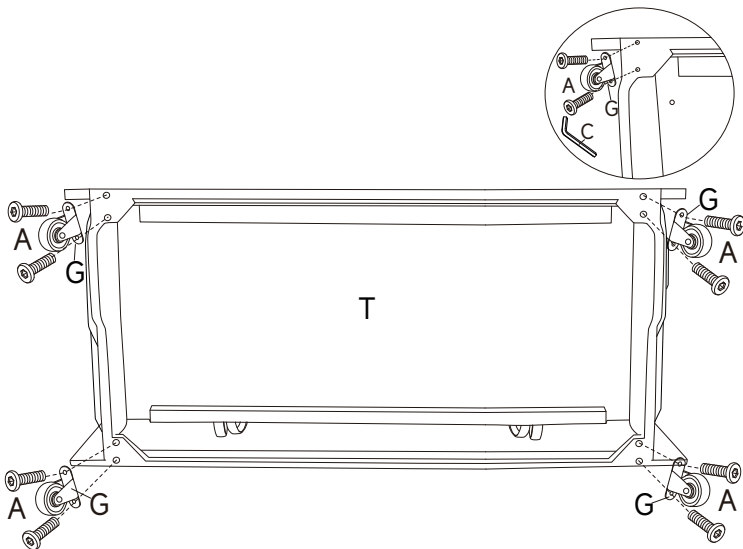
STEP 2

	F×4
---	-----

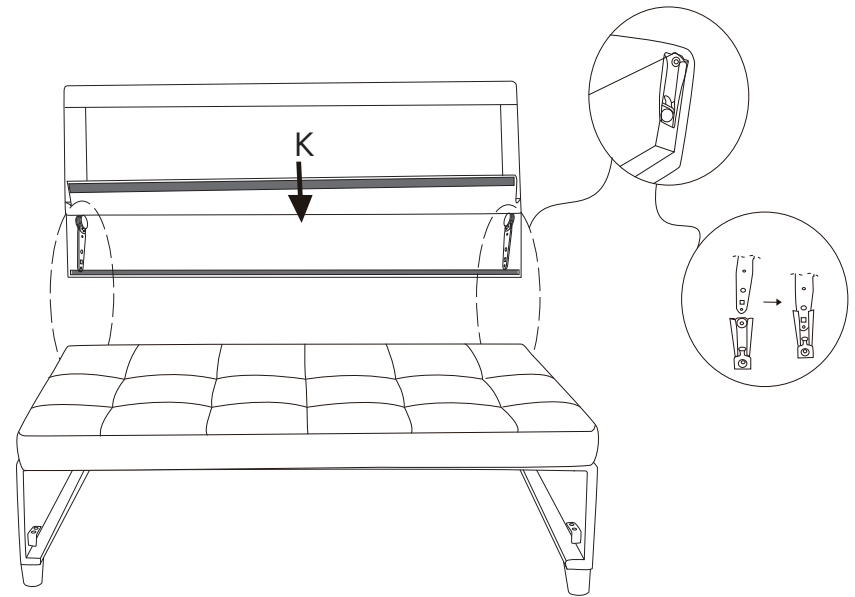


STEP 3

	A×8
	C×1
	G×4

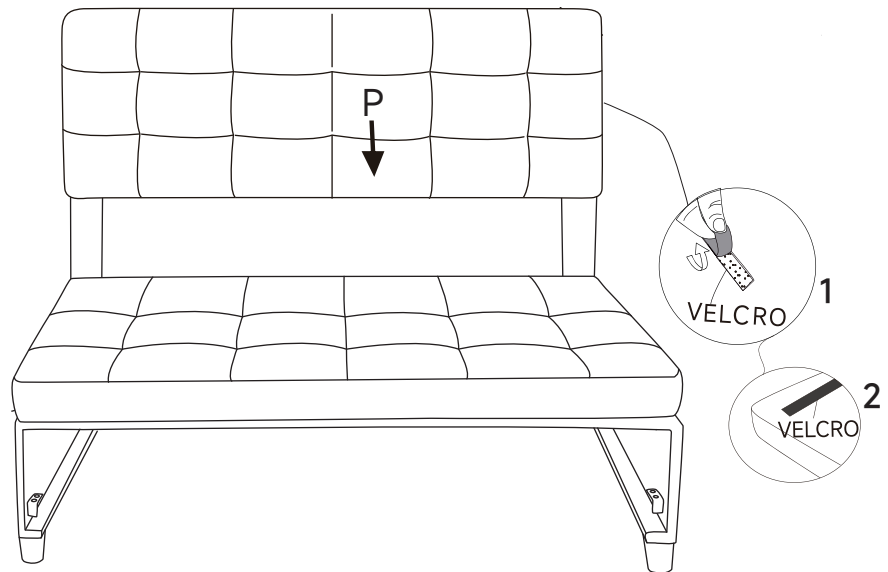


STEP 4

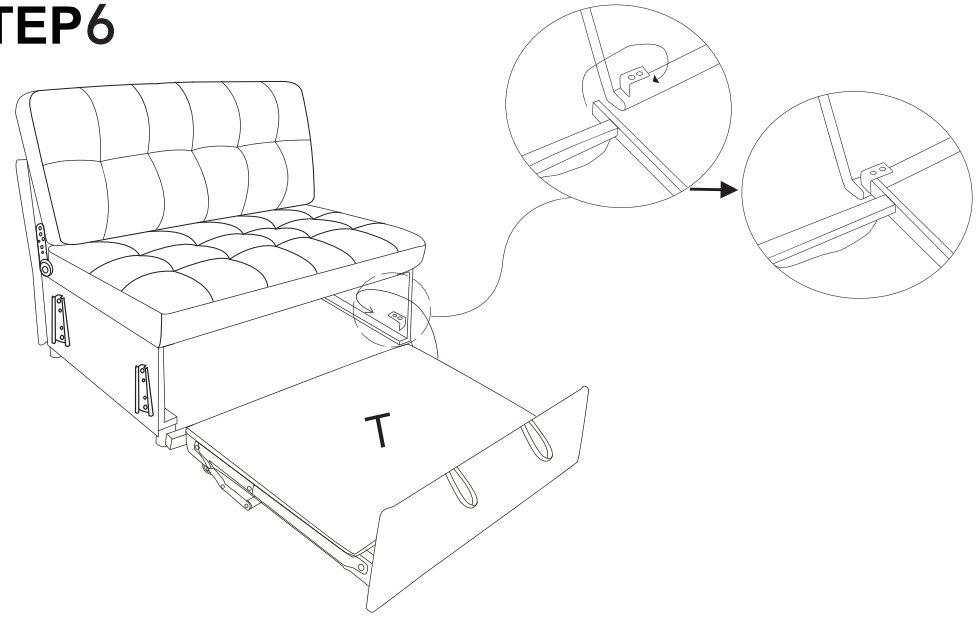


STEP5

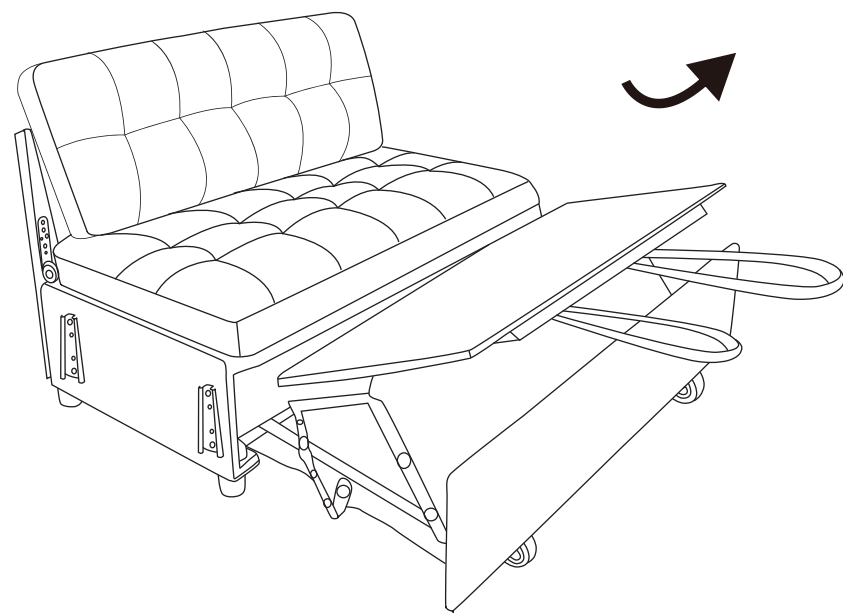
Peel off the Velcro from the bottom of Back Cushion P, then place it back into position.



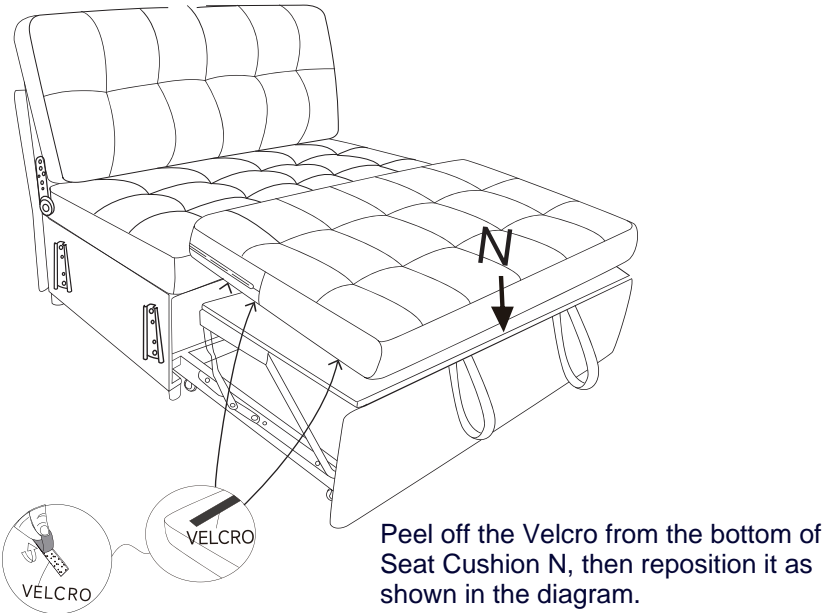
STEP6



STEP7

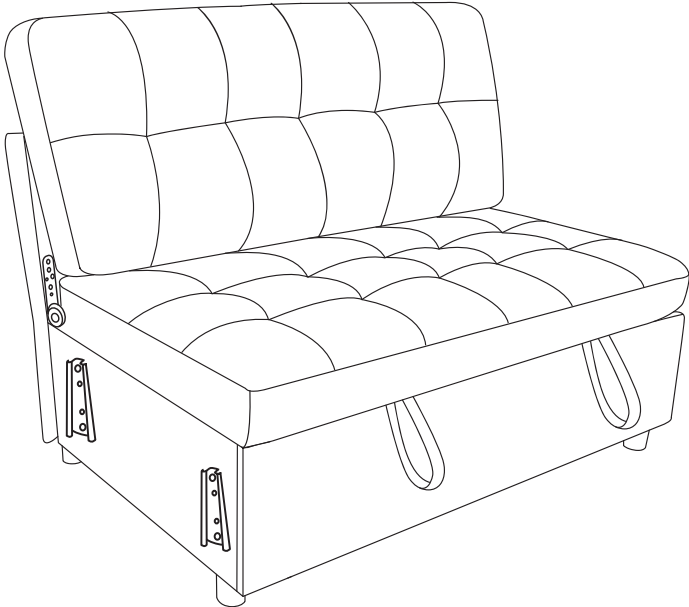


STEP8

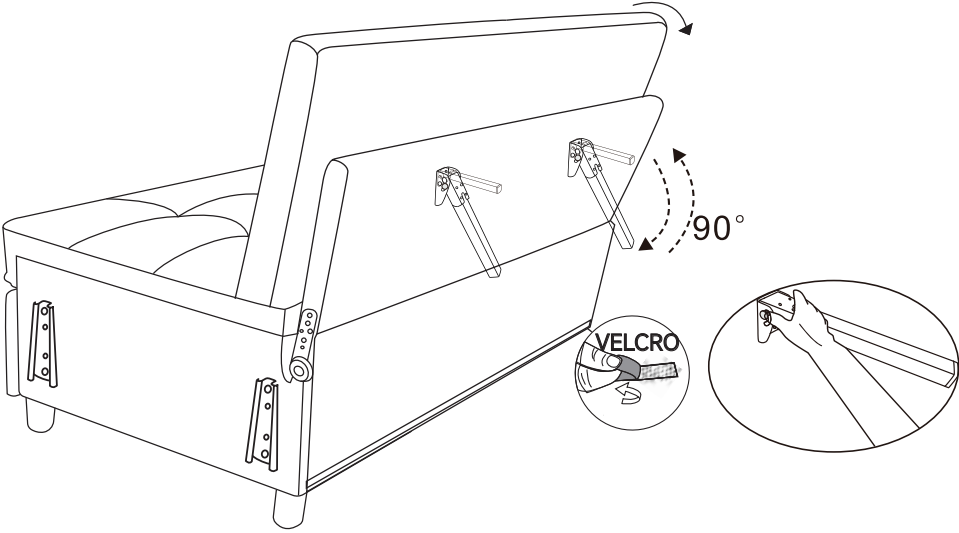


Peel off the Velcro from the bottom of Seat Cushion N, then reposition it as shown in the diagram.

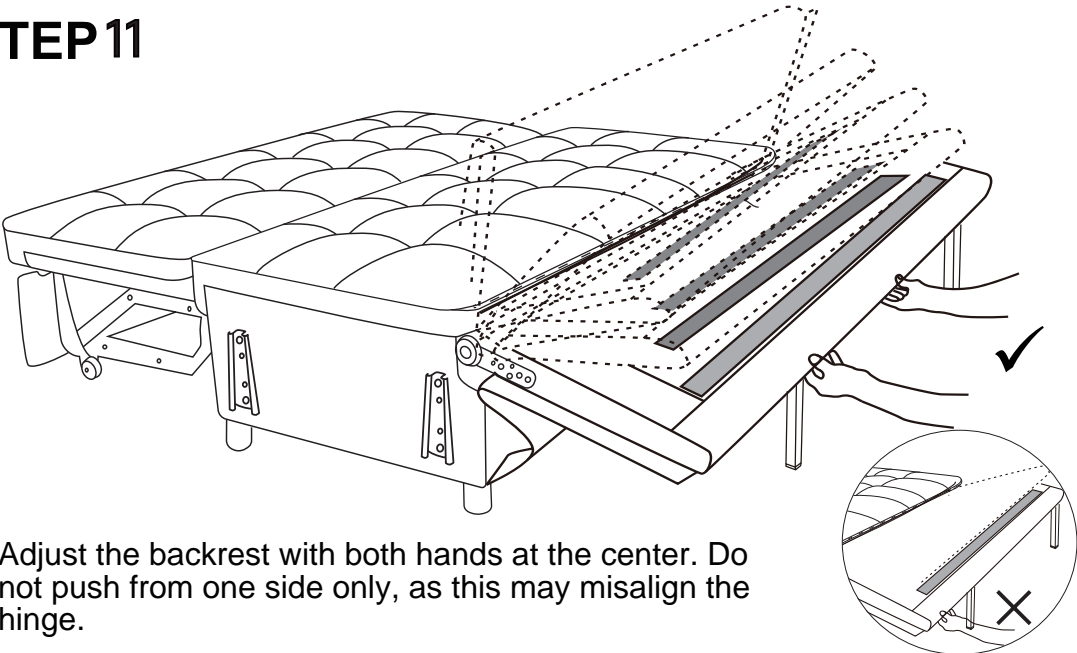
STEP 9



STEP 10 Press the silver button to open and retract

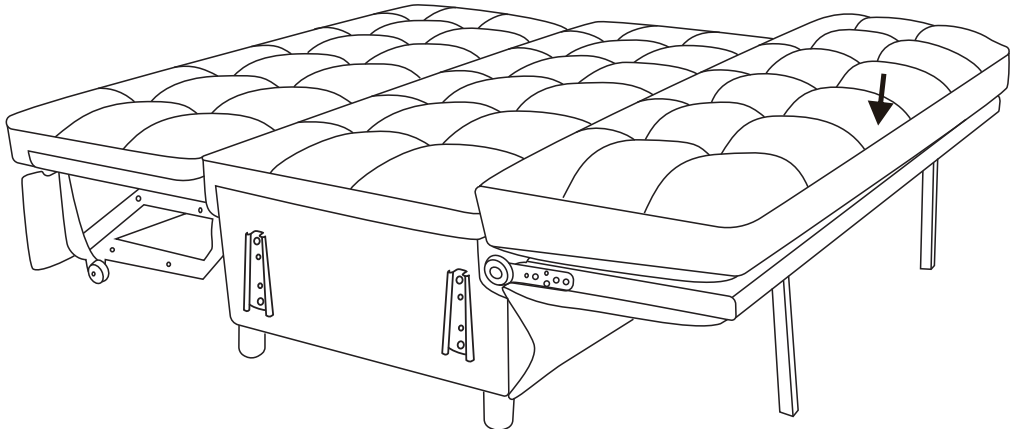


STEP 11



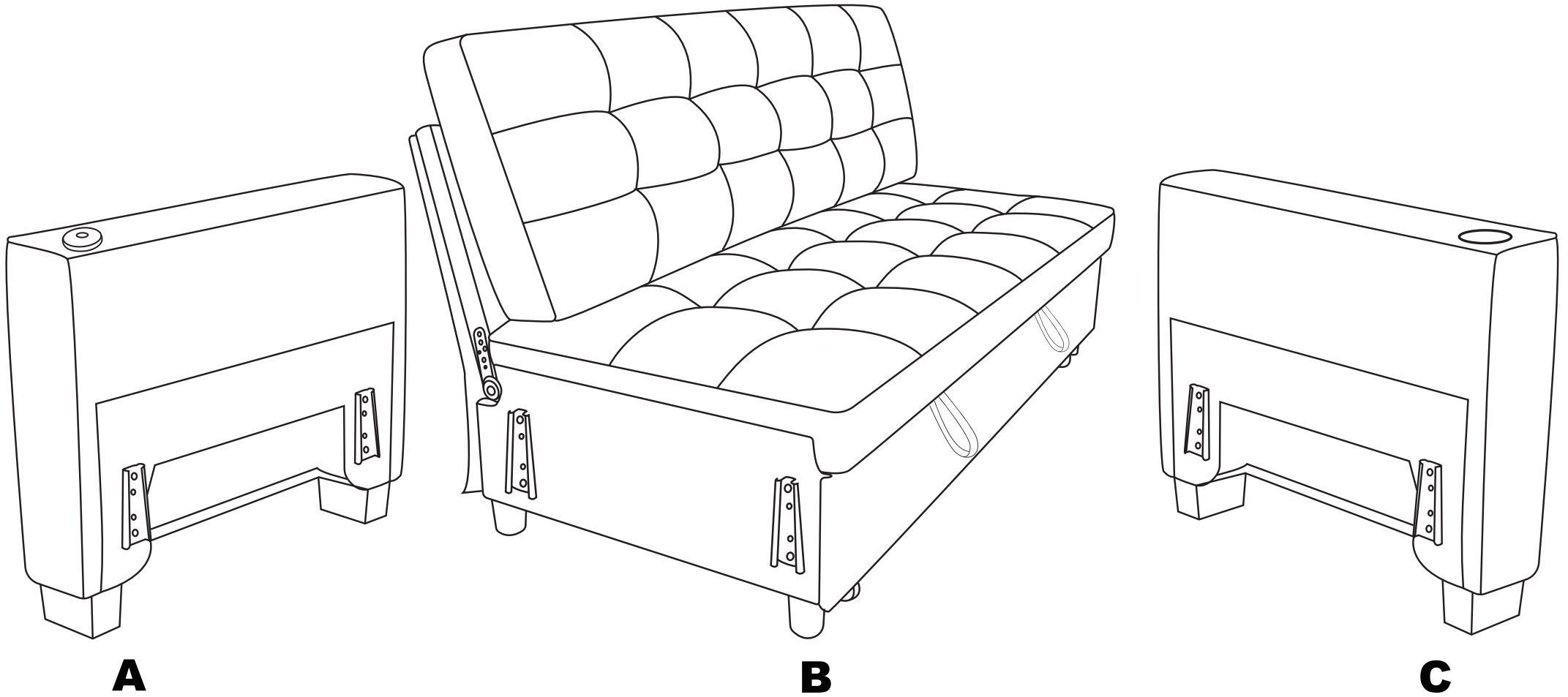
Adjust the backrest with both hands at the center. Do not push from one side only, as this may misalign the hinge.

STEP 12

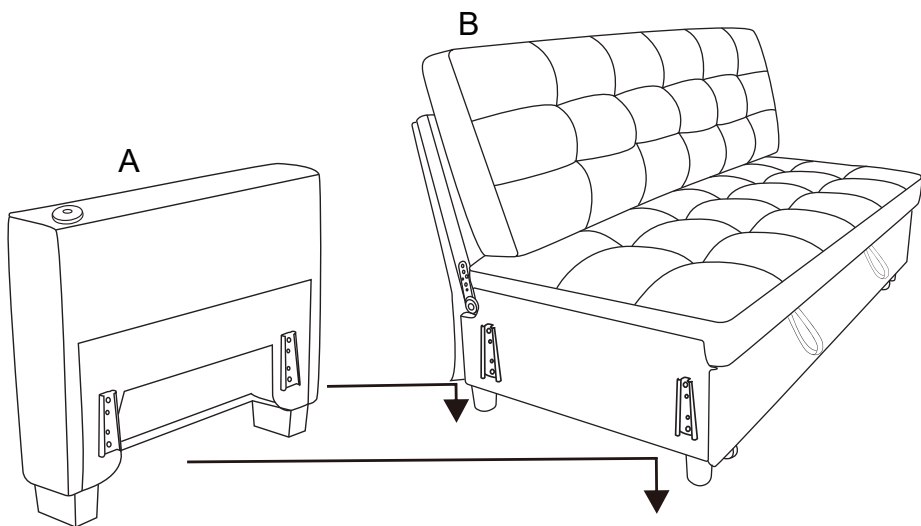


Installation Complete

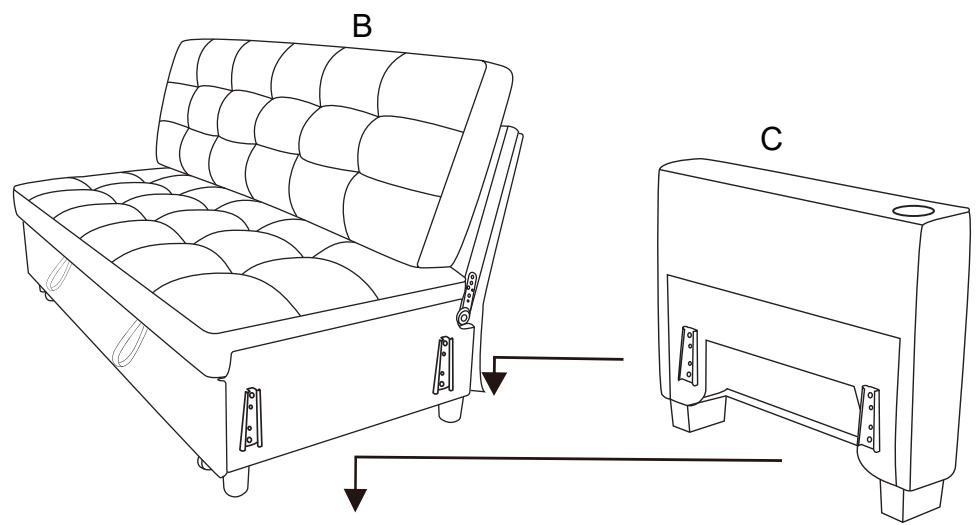
How to Connect A B C Components



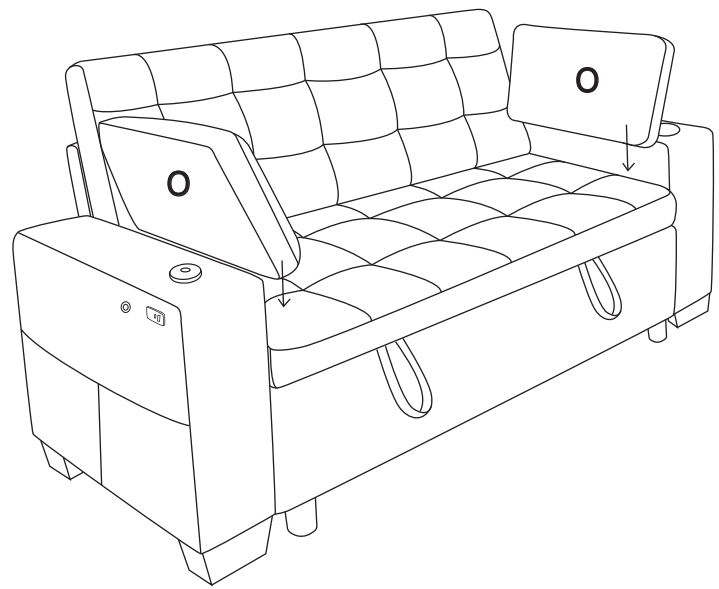
STEP 1



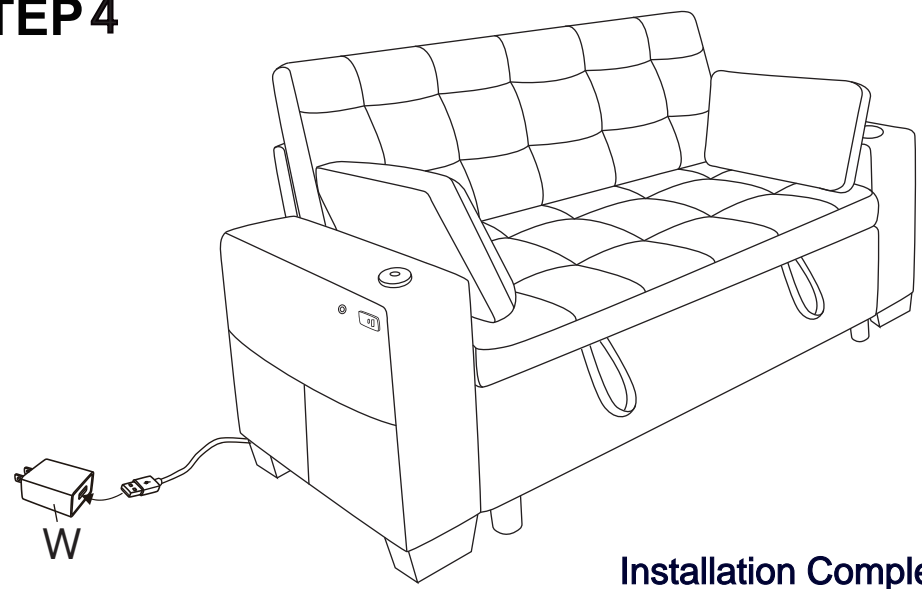
STEP 2



STEP 3

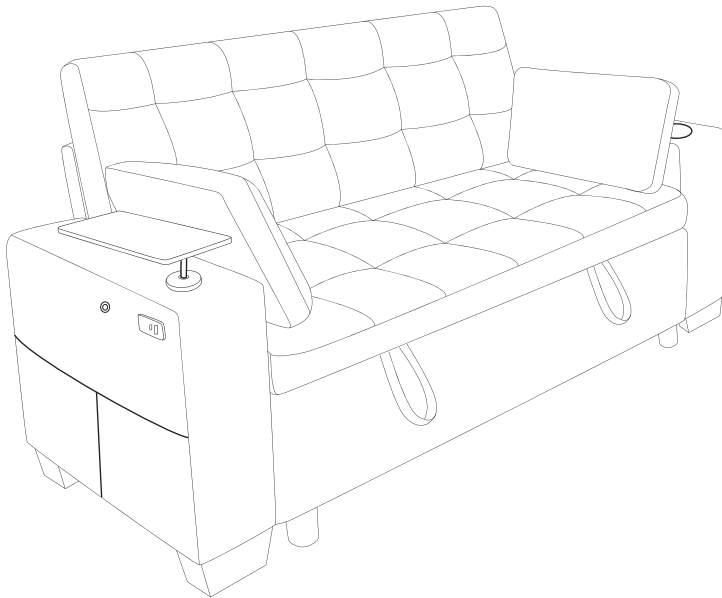


STEP 4

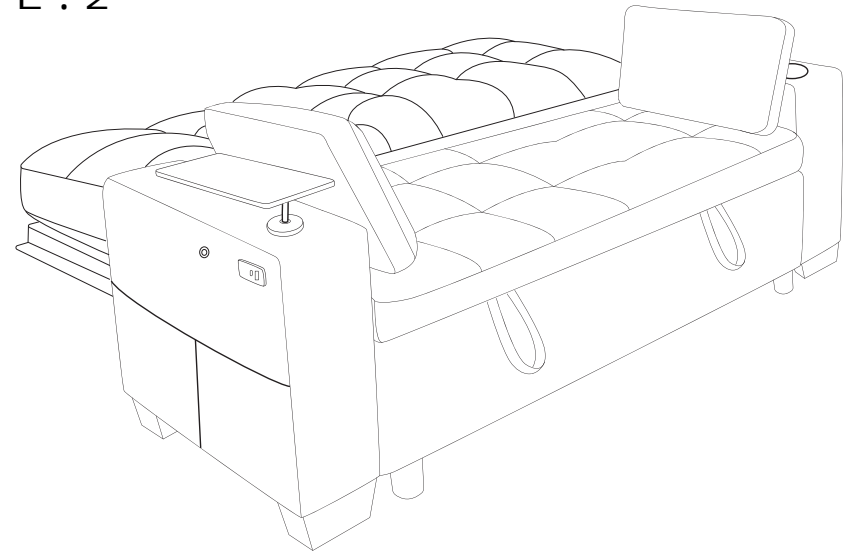


Sofa Function Demonstration

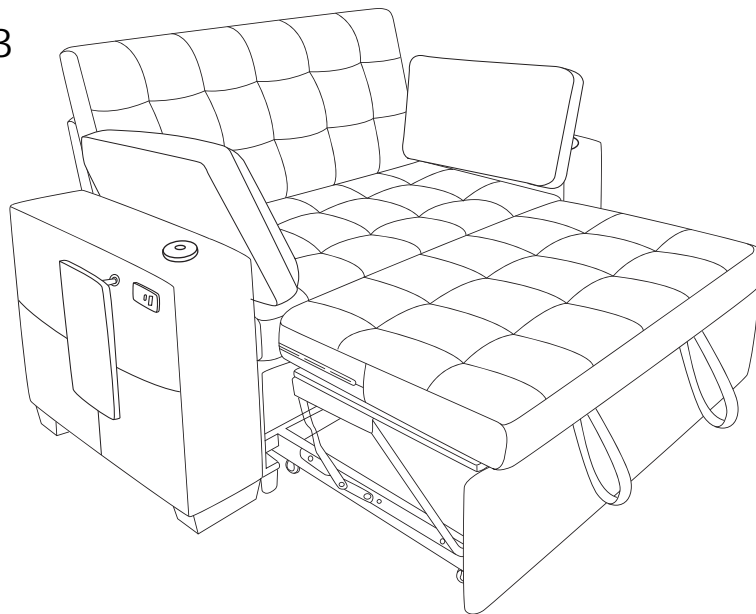
SHAPE : 1



SHAPE : 2



SHAPE : 3



SHAPE : 4

