

# ASSEMBLY INSTRUCTION

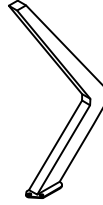
## DINING TABLE

**A** Table Top



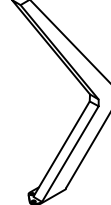
1 PC

**B** Left Leg



2 PCS

**C** Right Leg



2 PCS

**D** Iron



2 PCS

**E** Connecting Rod



1 PC

**F** Bolt  
1/4 " \* 3/4 "



20 PCS

**G** Spring Washer  
1/4 "



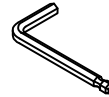
12 PCS

**H** Flat Washer  
1/4 "

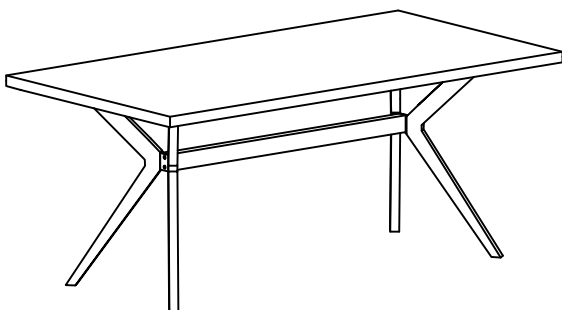


20PCS

**I** Allen Key  
M4

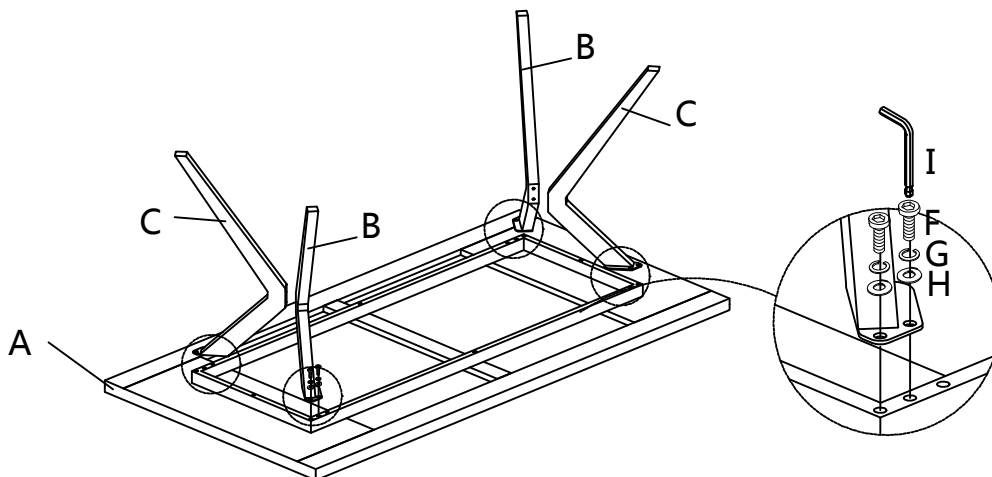


1 PC

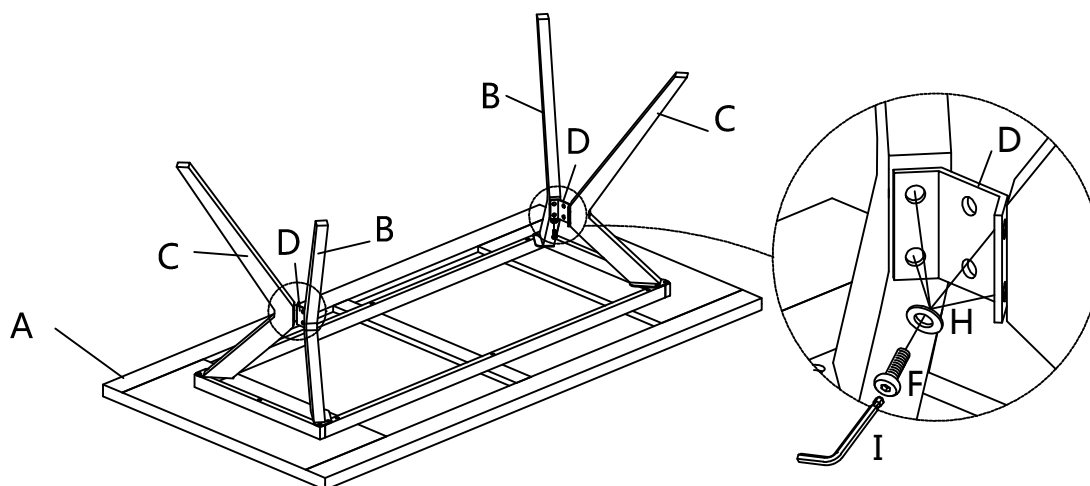


This page lists all the contents included in the box. Please take the time to identify the hardware as well as the individual components to this product. As you unpack and prepare for assembly, place the contents on a carpeted or padded area to protect them from damage.

- 
- 1** Attach Left Leg (B) and Right Leg (C) to bottom of Table Top (A) using Bolt (F), Spring Washer (G), Flat Washer (H) with Allen Key (I).  
**Note: At this stage, do not fully tighten the Bolts.**

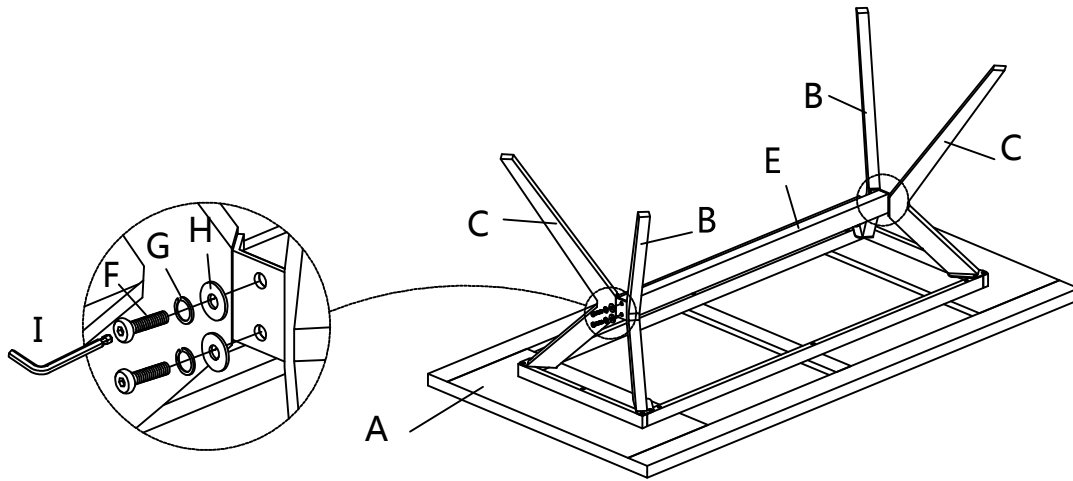


- 
- 2** Attach Iron (D) to Left Leg (B) and Right Leg (C) using Bolt (F), Flat Washer (H) with Allen Key (I).  
**Note: At this stage, tighten all Bolts at all joints fully in a sequential manner.**

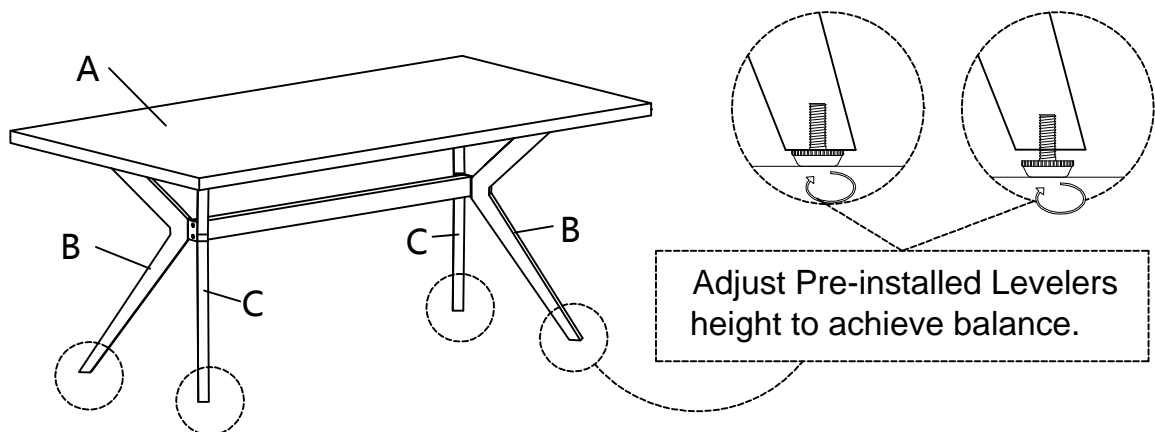


- 3** Attach Connecting Rod (E) to Left Leg (B) and Right Leg (C) using Bolt (F), Spring Washer (G), Flat Washer (H) with Allen Key (I).

**Note: Lock all the screws after they have aligned the holes.**



- 4** With assistance from your adult partners, turn the Dining Table right way up. Adjust the Pre-installed Levelers on the bottom of Left Leg (B) and Right Leg (C) until the Dining Table is level with the ground.



## Cleaning & Care

Treat surface with care. Surface is resistant to scratches but is not scratch resistant. Clean surfaces with a dry or damp soft cloth. Do not use abrasive cleaners. Hardware may loosen over time. Periodically check that all connections are tight.