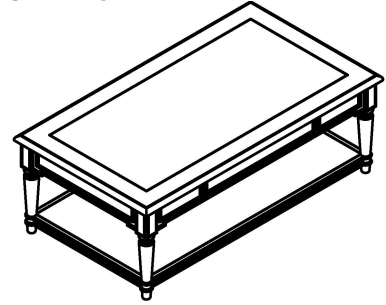


ASSEMBLY INSTRUCTIONS

206-910



TOOLS REQUIRED:

Wrench (supplied, part # A)

BEFORE YOU START:

1. Check the parts against the parts list to make sure all items are present.
2. Assemble your furniture on a soft, flat surface to avoid scratching the finish.
3. CAUTION: Do not over tighten screws, nuts or bolts during assembly.
4. Your furniture may require occasional tightening.

INSTRUCTIONS:

1. Turn the table top on smooth and clean soft surface.
2. Attach middle legs to top using Nut (B), Bolt (C), Lock washer (D), Flat washer (E) and Tighten with Wrench(A). As show in Figure 1.
3. Insert bolted end of bottom leg into hole in corner of the shelf frame. Twist legs clockwise until tight. As show in Figure 2.
4. Turn the table up after assembled.
Tighten all bolts before using the table.

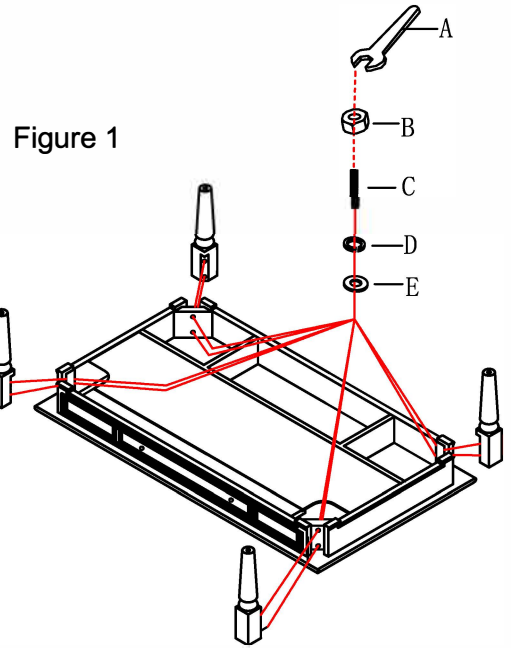
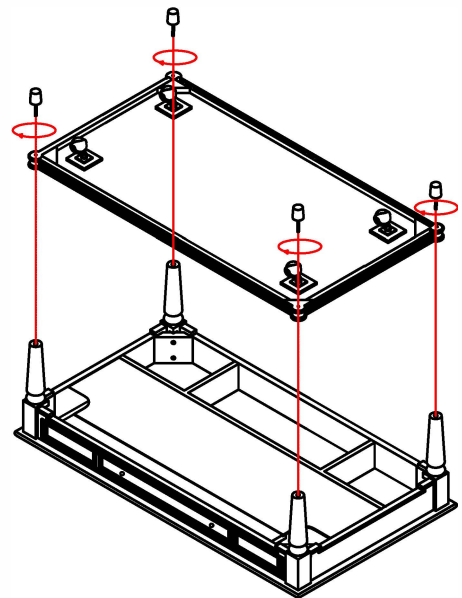


Figure 1

Figure 2



NO	DRAWING	DESCRIPTION	SIZE	Q' ty
A		Wrench	14mm	1pc
B		Nut	Ø5/16"	8pcs
C		Bolt	Ø5/16**80mm	8pcs
D		Lock washer	Ø5/16"	8pcs
E		Flat washer	Ø5/16"	8pcs