

Features

- 45"L x 37-1/4"W x 84"H.
- One-piece module for installation ease.
- Grab bars in brushed stainless steel and slip-resistant floor for added safety.
- Fold-up seat on left side.
- Fits slide bar 24" and under.

Installation

- Center rear drain.

Recommended Products/Accessories

- K-1665 Shower Light
- K-9132 Shower Drain
- K-23726 Drain treatment
- K-23723 Faucet cleaner
- K-23732 Tub & shower cleaner



ADA

Codes/Standards



CSA B45.5/IAPMO Z124
ASTM E162
ASTM E662
ADA
ICC/ANSI A117.1



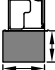
KOHLER® Plastic Baths and Receptors Lifetime Limited Warranty

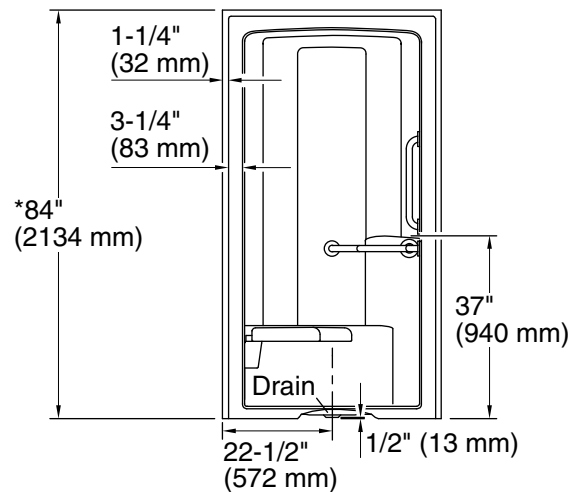
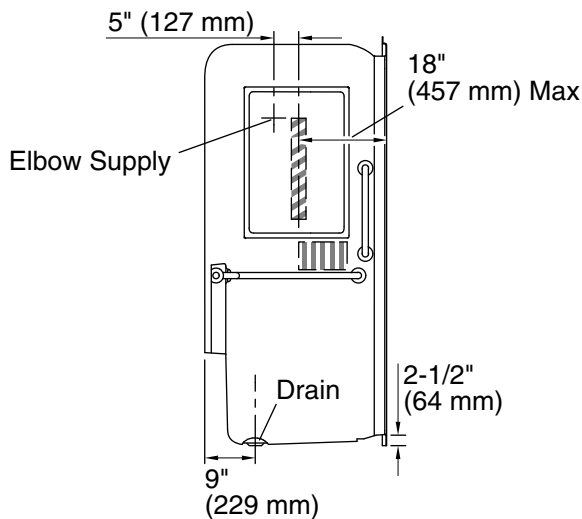
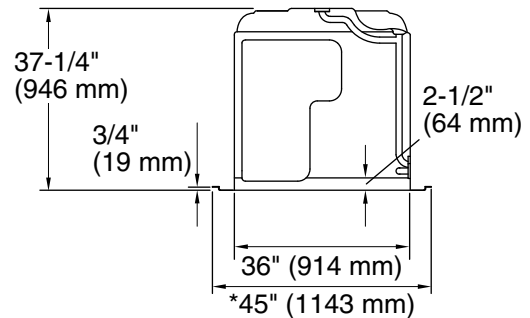
See website for detailed warranty information.

Available Colors/Finishes

Color tiles intended for reference only.

Color	Code	Description
	96	Biscuit
	47	Almond

*Recess opening must be 45-1/4" (1149 mm) x 84-1/4" (2140 mm).	
	Represents control area for faucets
	Represents 24" (610 mm) wall mount slide bar.
	Represents clear floor space for 36" (914 mm) x 48" (1219 mm).



Technical Information

All product dimensions are nominal.

Installation: Three-wall alcove
 Drain location: Center rear
 Weight: 170 lbs (77.1 kg)

Notes

Measure your actual product for rough-in details.

Install this product according to the installation instructions.

For increased accessibility, utilize "pit" installation as detailed in installation guide.

The fixture is not drilled for supply fittings.

Shimming may be required to level the fixture.

Stud opening tolerance + 1/4" (6 mm).

When fire rated construction is specified, dimensions are to the inside of the fire-rated wall.

Some shimming between stud frame and fixture may be required.

For optimum accessibility, specify faucets and fittings to install and operate within the control area shown.

ADA compliant when installed to the specific requirements of these regulations.