

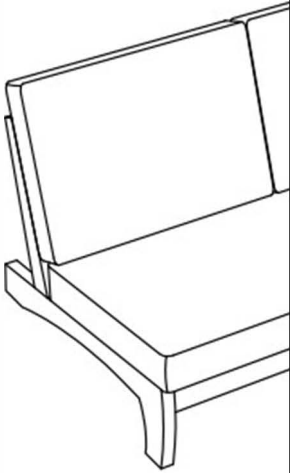


LOVESEAT

LOVESEAT

WARRANTY

We strive to offer high quality product and we also try our best to satisfy each customer that order from us, no matter on products or services as needed. Each customer receives a record of their order, such as the order number or item receipt. For any items that are out of warranty period, you may still be able to purchase the replacement parts from our company if they are available.



MAINTENANCE AND WARNING

Please read the manual thoroughly
before you start installing.

Please keep the product away from
sharp object.

Packaging and small parts may have
chocking hazard, please keep them away
from children and pets.

Please clean the product according to each
clean code, check the product description
for more information.

Please keep the product away
from fire.

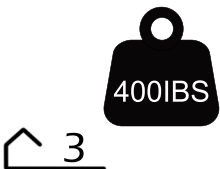
If you have any other questions, please
contact us, we will be glad to help you out.

If the product is placed under direct
sunlight, the pattern or color might fade
away overtime.

Check the product periodically to make
sure everything is secured and tightened.

Always use proper tools for installation.

Do not jump on the product.



Around 30 min

PRDOUCT DESCRIPTION

The clean, modern design seamlessly blends into any outdoor setting, creating a cozy and stylish place to relax.

The cushions are crafted from waterproof cotton blend fabric, keeping them dry and resistant to the elements, no matter the weather.

Featuring removable cushion covers, this loveseat allows for effortless cleaning, so you can always enjoy a fresh and inviting seating area.

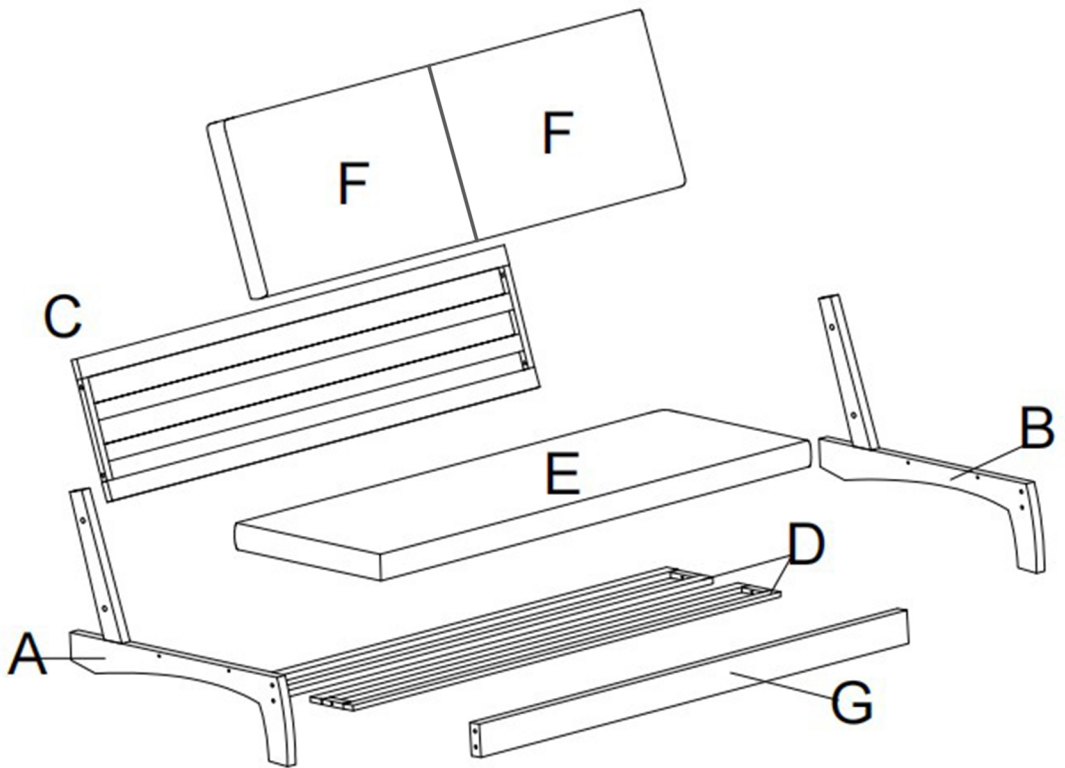
The durable wooden frame can support up to 397 lbs, providing a strong foundation for hours of comfortable seating.

This loveseat is designed for easy assembly, allowing you to quickly set it up and enjoy it with minimal effort.

EXPLODED VIEW

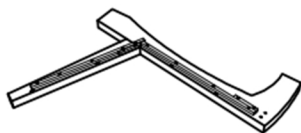


the product's left and right are determined by sitting posture



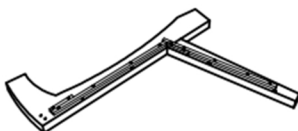
PARTS

Ax1



Right leg

Bx1



Left leg

Cx1



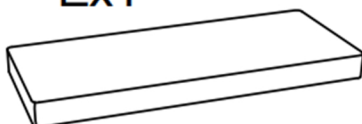
Back frame

Dx2



Seat frame

Ex1



Seat cushion

Fx2



Back cushion

Gx1



The front seat rail

HARDWARE

TOOL LIST

NOTE: Designated with (★) We provide additional spare parts in the hardware package

①x12



★ M6*45mm

③x1



Allen wrench

④x4



★ Nuts

⑤x12

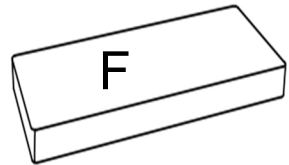
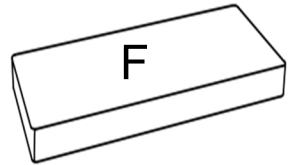
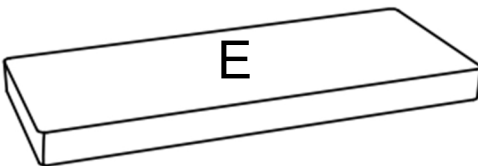
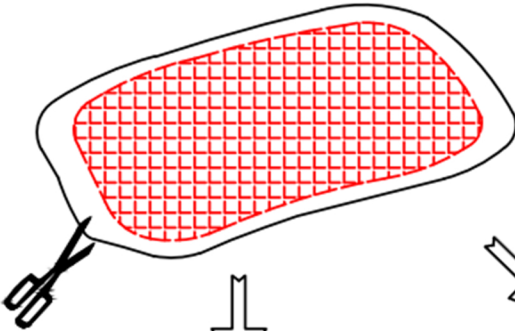
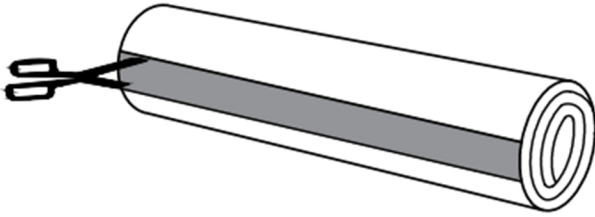


★ Plastic caps

Please make sure all hardware&packing material fitting the list. Especially some small accessories may be missing during transportation. Please contact us if you have any question.

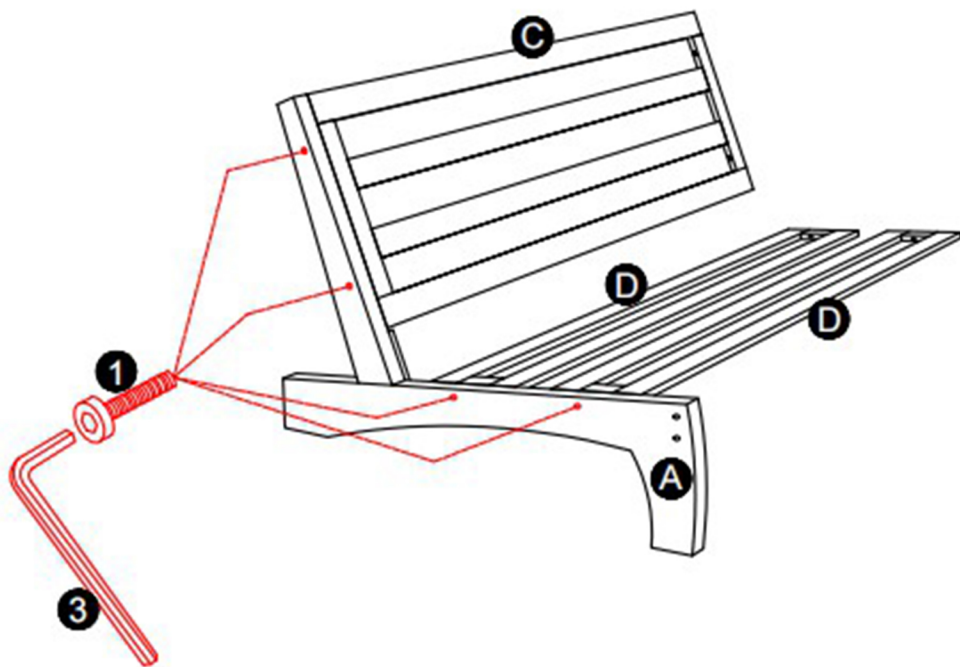
step 1

Cut open the compression bag along the paper strip on the roll bag. Remove the seat cushion (E) and back cushion (F) and let them rest to recover their shape. Full recovery may take up to 48 hours, but you can gently slap the cushions to speed up the process.



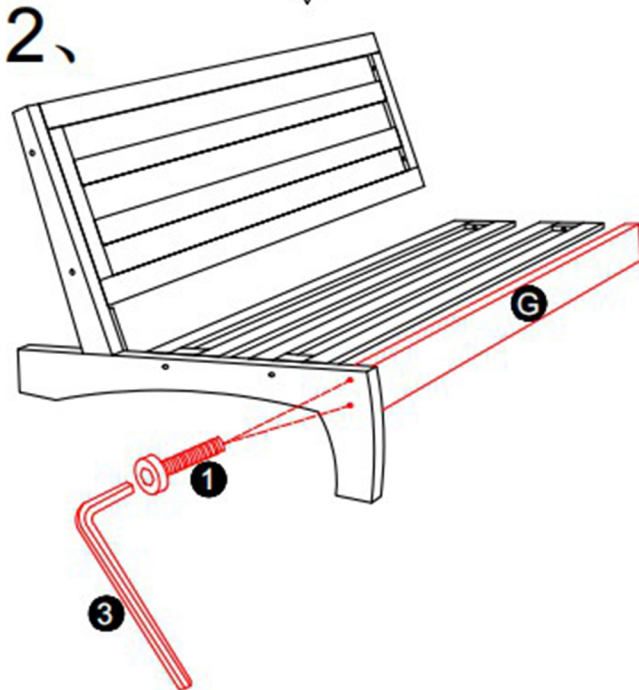
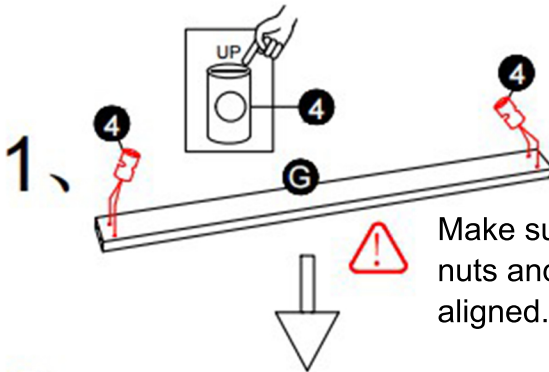
step 2

Use screws (1) and an Allen wrench (3) to attach the seat frame(D) and back frame(C) to the right leg(A).



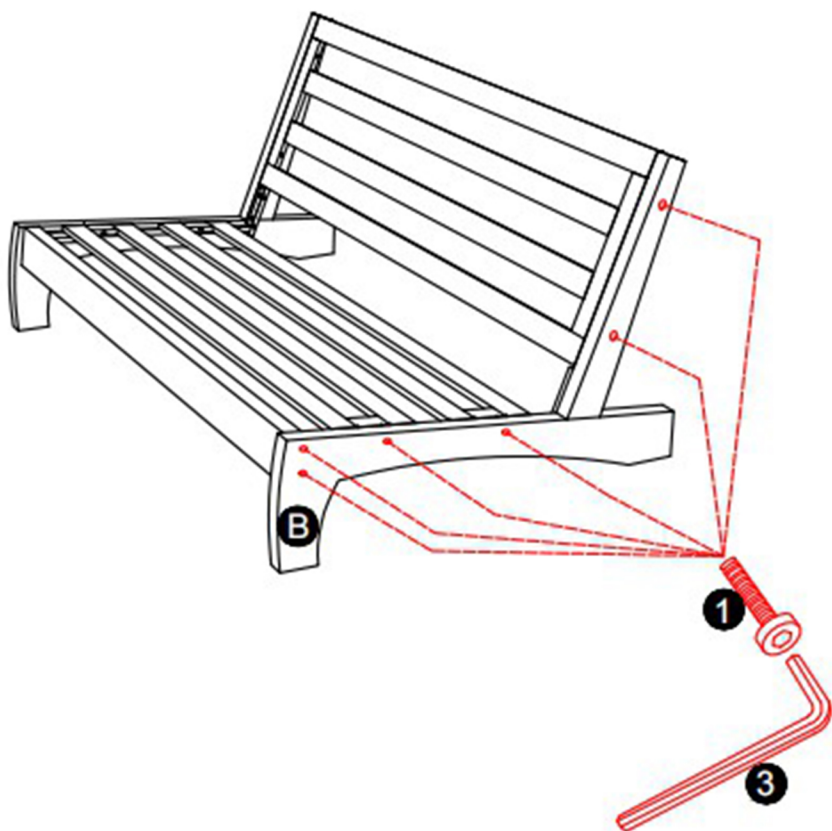
step 3

Attach the front seat rail (G) with nuts(4) to the right leg using screws (1) and an Allen wrench (3), ensuring the side with nuts faces inward.



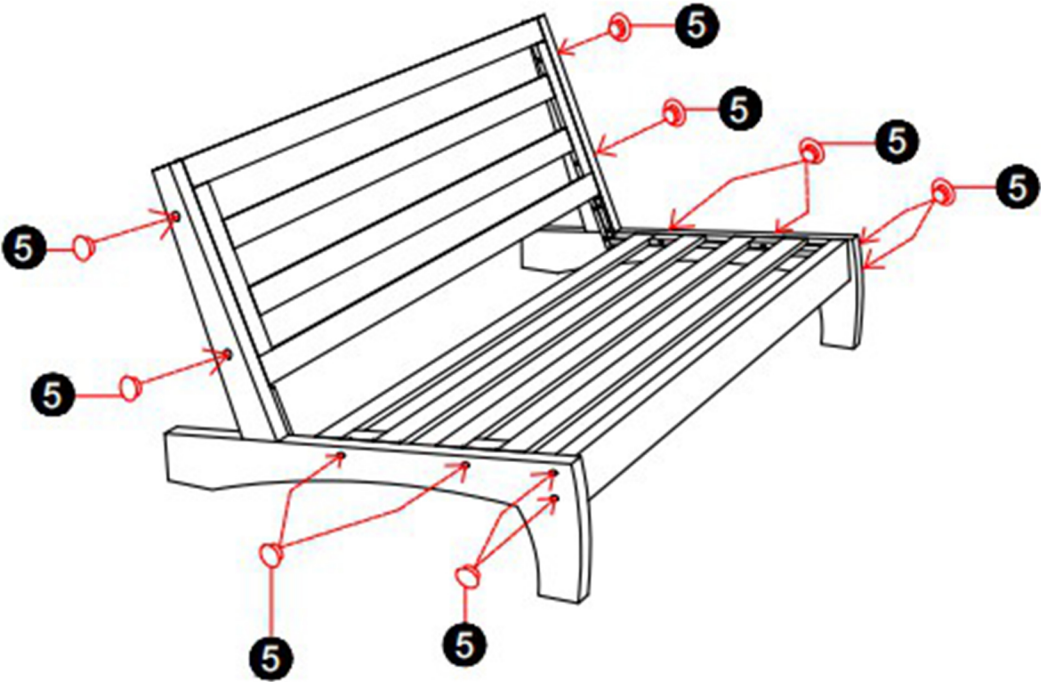
step 4

Flip the frame over and install the left leg (B) using screws (1) and an Allen wrench (3).



step 5

Cover all screw holes on both sides of the legs with plastic caps (5).

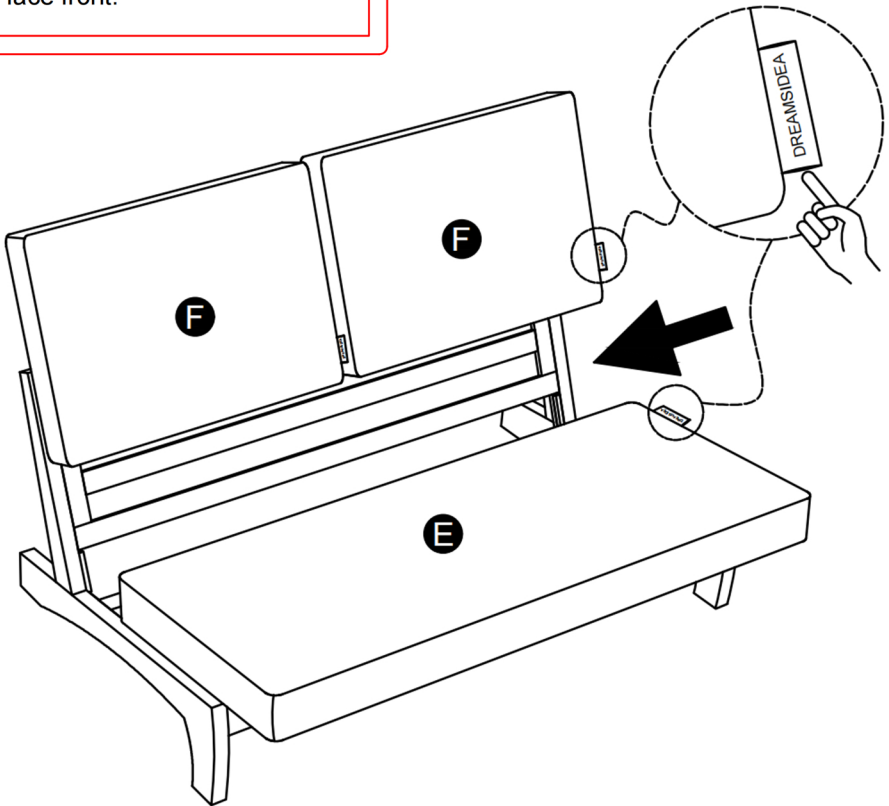


step 6

Place the seat cushion (E) on the seat frame and the back cushion (F) on the back frame.



Place the seat cushion with sewn-in label face up.
Place the back cushion with sewn-in label face front.



step 7

Congratulations! You have finished the assembly, thank you again for choosing our product! Please enjoy!

