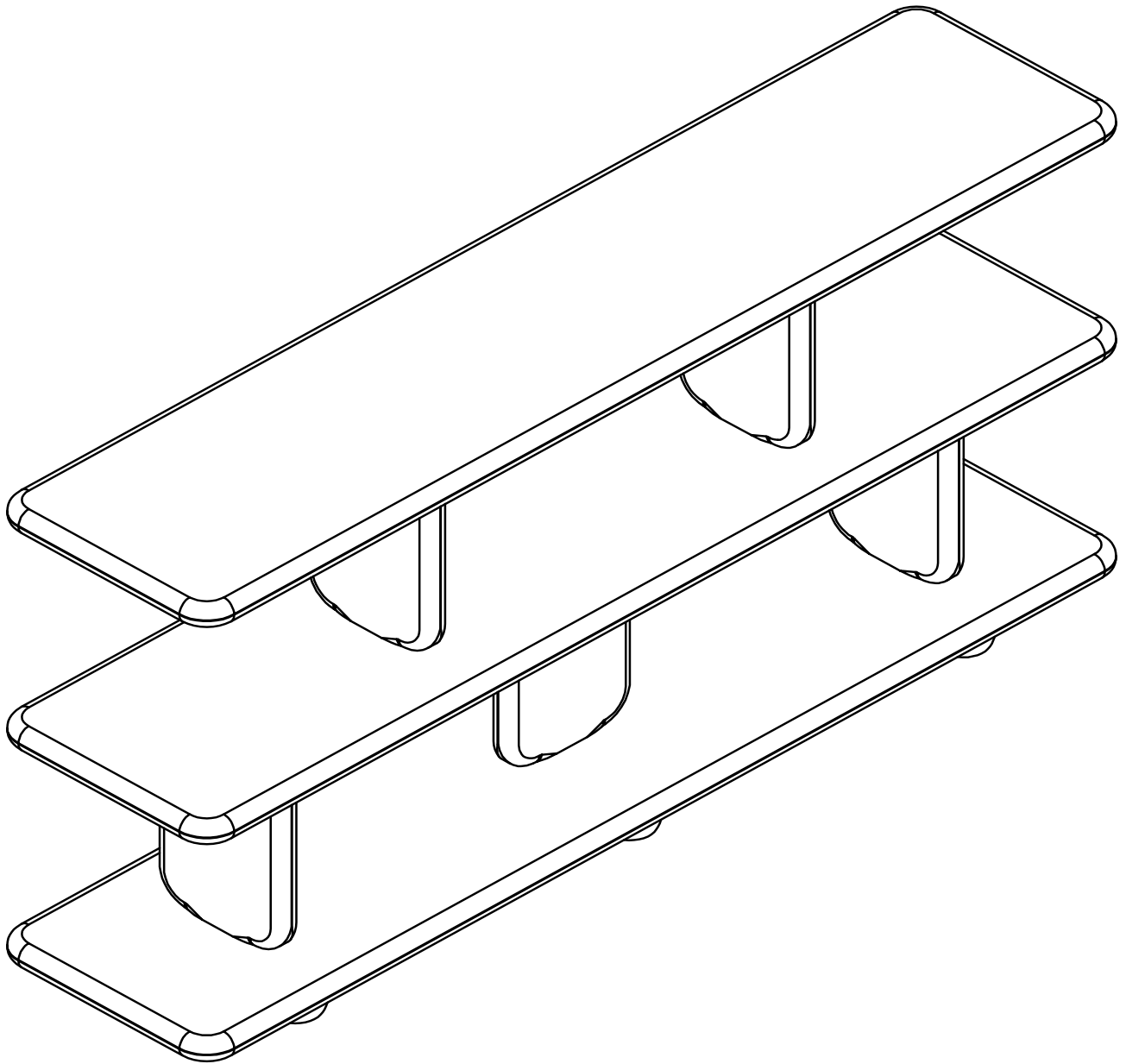


ASSEMBLY INSTRUCTIONS

EEI-7232

V0.19.10.24



Questions? Contact us!

609.256.9000 • cs@modway.com
www.modway.com

***modway**

Let's get started!

*modway



Read through all of the instructions before starting



Care instructions are listed in the last step of this manual



Approx. 15 minutes assembly time



Make sure you have all parts and components before discarding any packing materials



2 people recommended for assembly

Only use hand tools to assemble this item. Do not use power tools. Do not tighten bolts or screws completely until all hardware is lined up and inserted into the holes.

Do not over-tighten screws and bolts to avoid stripping the hardware or cracking the item.

Assemble your item on a flat, carpeted area, with plenty of space to work. This will prevent damage and scratches to your floors or the item while you're assembling the product.

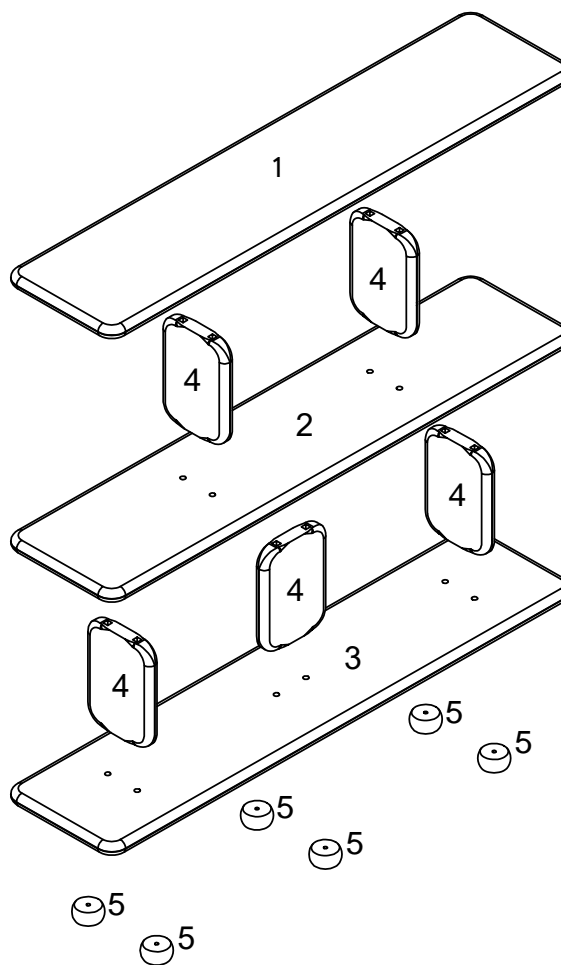
Keep all components and packaging out of reach of children or animals to avoid risk of choking or suffocation.

Furniture components:

1	Top Panel	x1
2	Middle Shelf	x1
3	Bottom Shelf	x1
4	Divider	x5
5	Leg	x6

Provided hardware:

A		Bolt 5/16 x 45mm	x6
B		Spring Washer M8	x16
C		Flat Washer M8	x16
D		Allen Key	x1
E		Bolt M10 x 345mm	x10



Wait!

Missing parts or hardware? Need assistance?

Contact us before returning your item. We're here to help!
609.256.9000 • cs@modway.com

Step 1

HARDWARE

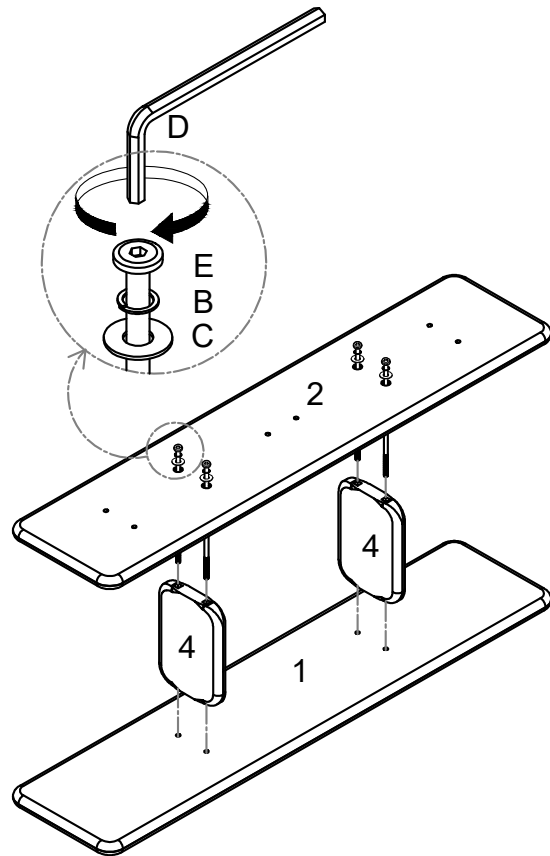
- E** Bolt M10 x 345mm x4
- B** Spring Washer M8 x4
- C** Flat Washer M8 x4

COMPONENTS

- 1** Top Panel x1
- 2** Middle Shelf x1
- 4** Divider x2

TOOLS

- D** Allen Key x1



Step 2

HARDWARE

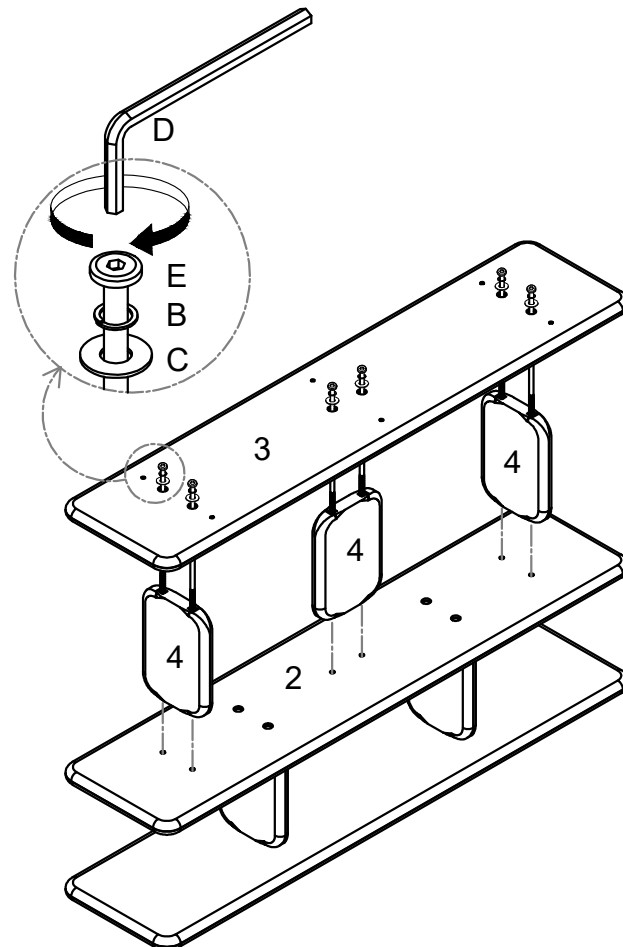
- E** Bolt M10 x 345mm x6
- B** Spring Washer M8 x6
- C** Flat Washer M8 x6

COMPONENTS

- 3** Bottom Shelf x1
- 4** Divider x3

TOOLS

- D** Allen Key x1



Step 3

HARDWARE

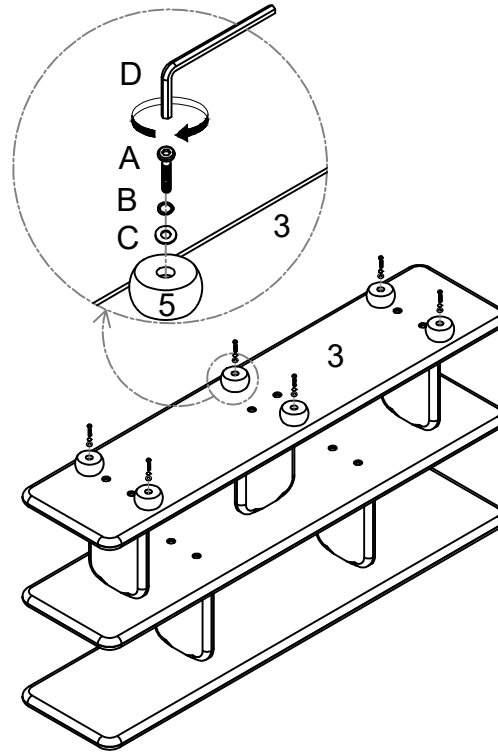
- A** Bolt 5/16 x 45mm x6
- B** Spring Washer M8 x6
- C** Flat Washer M8 x6

COMPONENTS

- 5** Leg x6

TOOLS

- D** Allen Key x1



Great job!

Your new shelf is complete.

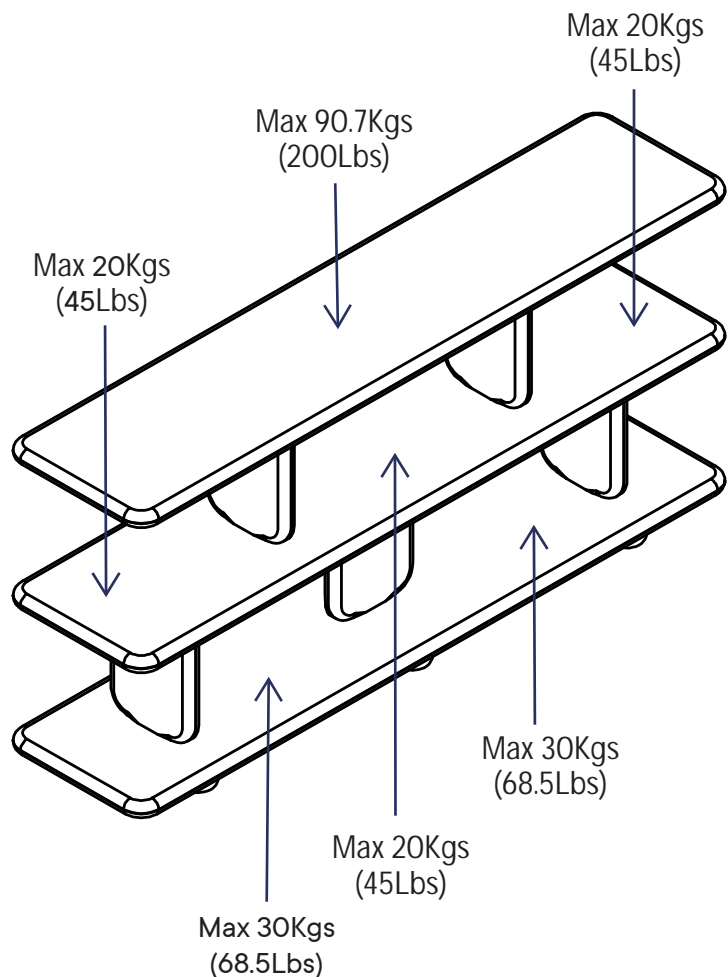
♥ CARING FOR YOUR ITEM

Indoor use only.

Not contract grade.

Clean using a non-abrasive cloth and a mild cleaner.

Never use harsh chemicals, as they could damage the finish or integrity of the item.



CONNECT WITH US!



Tag us @modway_furniture and #modway for a chance to be featured.