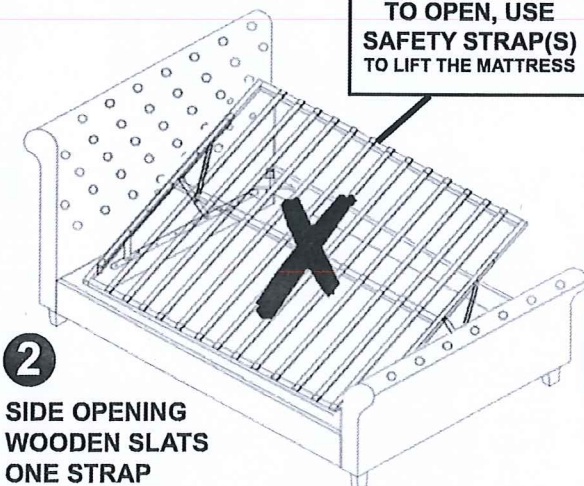
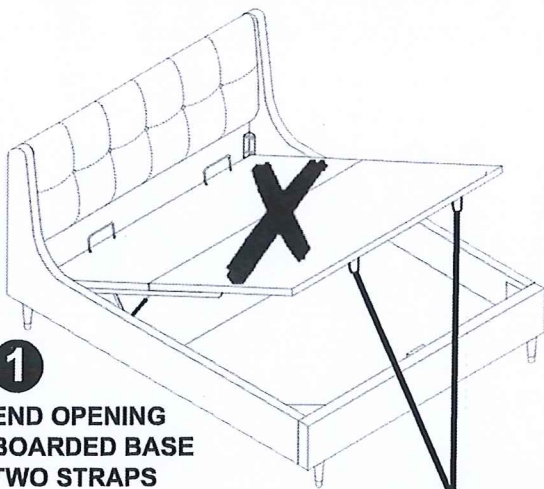


# ATTENTION

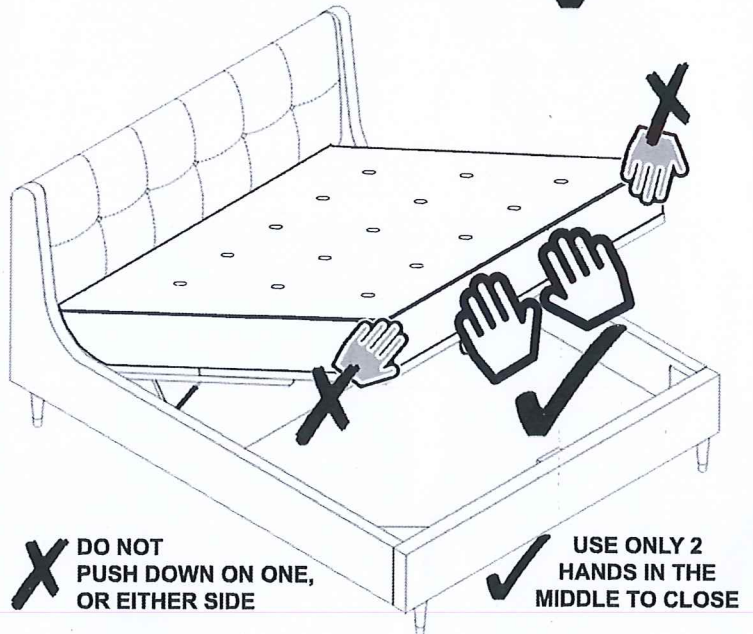
## Important Notes Regarding Gas Lifts

This information applies to all types of gas lift storage, regardless of the base top: boarded base ① or wooden slats ② and regardless of opening configuration: end opening ① / side opening ②

**NEVER OPEN OR CLOSE WITHOUT A MATTRESS ON TOP, OR YOU RISK TWISTING THE FRAME, DAMAGING THE BED OR PERSONAL INJURY!**



③ ONCE THE MATTRESS IS ON TOP, YOU CAN OPEN & CLOSE THE BED SAFELY ✓

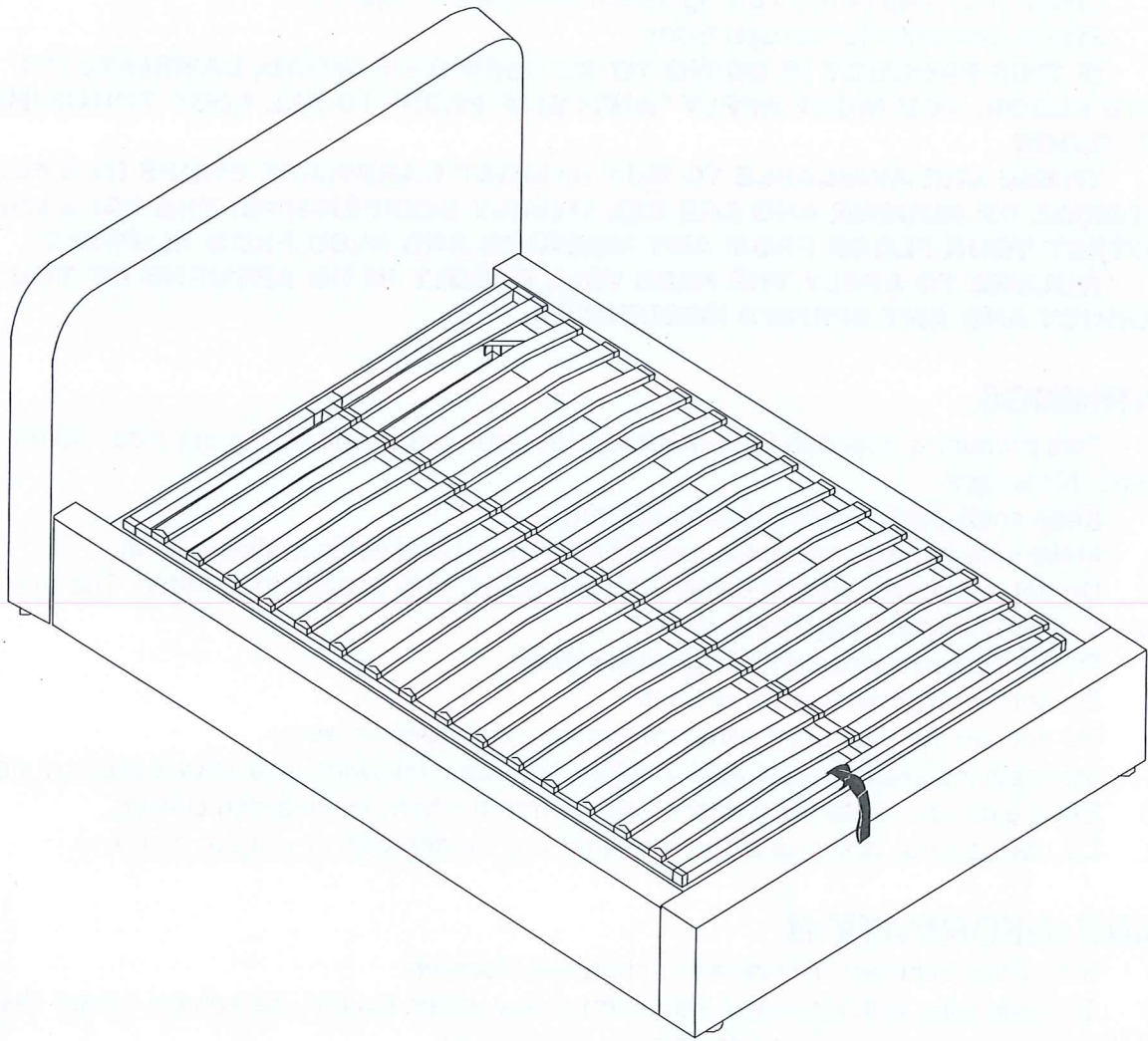


Once all the nuts & bolts are tightened firmly, the first time you close the gas list mechanism, push down with extra pressure to force open the seals on the pistons.

This will feel like a lot of pressure, so be firm and it will close!

1. NEVER operate without a mattress on top. Failure to do so will damage the bed.
2. Close by pushing down firmly, with both hands towards the centre, with equal pressure.
3. NEVER push down on only one side or edge, or you will damage your bed.
4. NEVER sleep on the bed frame without a mattress.
5. Please remember to re-tighten all nuts & bolts within the bed frame after 2 weeks of use.

# Assembly Instructions



## **IMPORTANT - READ CAREFULLY - RETAIN THESE INSTRUCTIONS FOR FUTURE REFERENCE**

- Due to the size of this product we recommend that it is assembled in the room intended for use.

- When you are ready to start, make sure that you have the right tools, plenty of space and a clean, dry area for assembly.

- **PLEASE KEEP THE ORIGINAL PACKING UNTIL YOUR ITEM IS FULLY ASSEMBLED.**

**IN THE UNLIKELY EVENT YOU NEED TO RETURN YOUR PRODUCT, IT MUST BE RETURNED IN ITS ORIGINAL PACKING. OTHERWISE NO RETURNS WILL BE ACCEPTED.**

- Check the pack and make sure you have all the parts listed.
- Ensure that this product is fully assembled and secured as illustrated before use.
- Check all screws or bolts are tightened and inspect regularly.
- Please dismantle for transportation.

- **IF THIS PRODUCT IS GOING TO BE USED ON A WOOD, LAMINATE OR TILED FLOOR, YOU MUST APPLY "ANTI SLIP PADS" TO ALL LEGS TOUCHING THE FLOOR.**

**THESE ARE AVAILABLE TO BUY IN MOST HARDWARE SHOPS IN A FELT MATERIAL OR RUBBER AND ARE RELATIVELY INEXPENSIVE. THE PADS WILL PROTECT YOUR FLOOR FROM ANY MARKING AND ALSO FROM SLIPPING.**

**FAILURE TO APPLY THE PADS WILL RESULT IN NO RETURNS OF THE PRODUCT AND ANY SPARE'S REQUESTED.**

## **WARNINGS**

- This product is intended for a maximum person's weight of 125 kg per side. Do not exceed this weight.

- Keep small parts out of reach of children.

- Make sure the legs remain in contact with the ground when mattress is on.

- Do not use power tools to construct this product, only use the tools listed. The use of any power tool will invalidate any future claim.

- Do not tighten screws until **fully assembled**.

- Do not over tighten screws or bolts.

- Do not use this product if parts are missing, damaged or worn.

- Incorrect installation could lead to injury, take care following instructions step by step.

- Ensure no one is standing near or on the frame when opening and closing.

- Do not stand on any part of the frame for any reason with or without mattress.

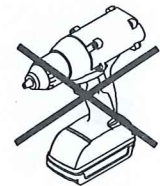
## **CARE INFORMATION**








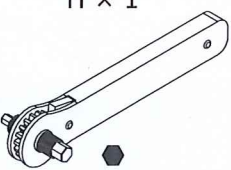

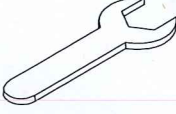
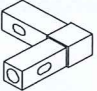
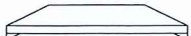
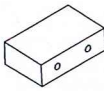



- Never use scourers, abrasives or chemical cleaners.

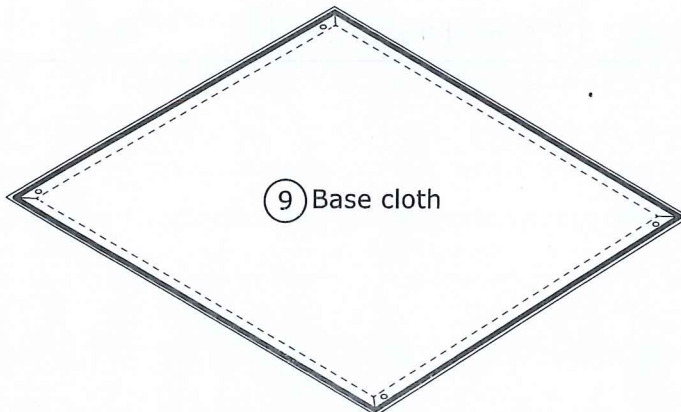
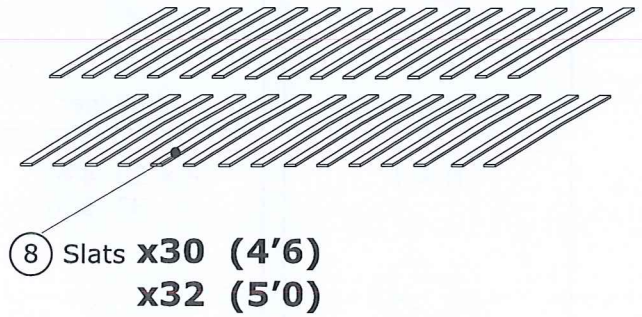
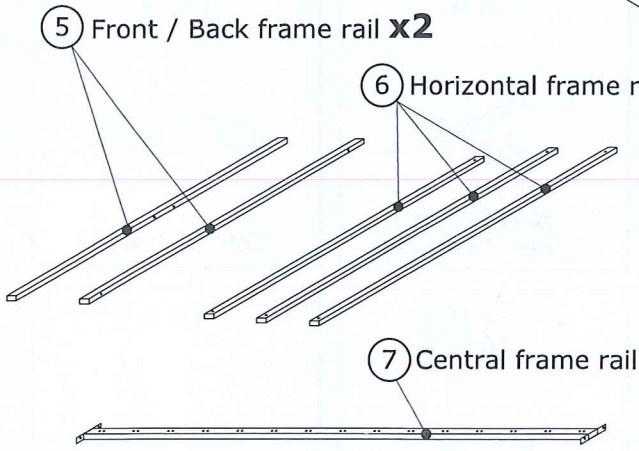
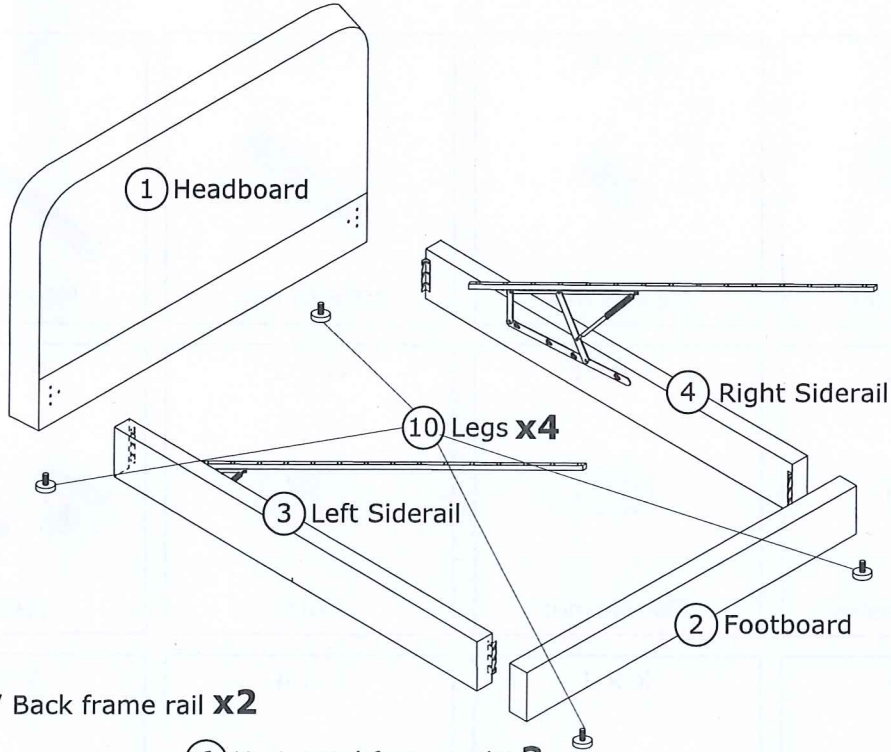
- To clean wipe with a sponge and warm soapy water. Do not use solvent based cleaners or detergents as they can bleach or damage the product.

## **HOW TO USE BED**

- When the bed is fully assembled, lift the frame up using strap provided, to close the frame you will need to place both hands on the metal bar at the foot end of the frame that is in the air (one hand in the center of each of the two rows of slats). The bed will only work if this is done centrally. To close the frame: Apply pressure from above, do not try to close from the side or any other way. Please also note the gas lift arms do not move up and down on their own and only work if the bed is fully assembled and assembled correctly.



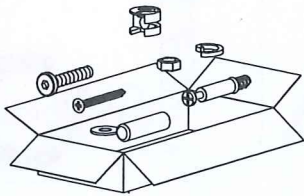
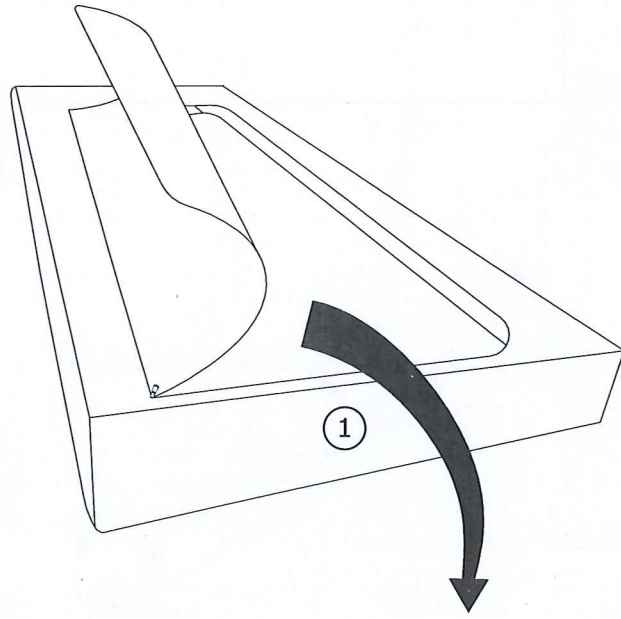
<p>A × 12</p>  <p>M8×25 mm</p>	<p>B × 12</p>  <p>M6×15 mm</p>	<p>C × 6</p>  <p>M6×30 mm</p>	<p>D × 2</p>  <p>M6×65 mm</p>
<p>E × 12</p>  <p>Spring Washer</p>	<p>F × 12</p>  <p>Flat Washer</p>	<p>G × 2</p>  <p>Nut</p>	<p>H × 1</p>  <p>Ratchet</p>
<p>J × 3</p>  <p>EVA Foam Pad</p>	<p>K × 1</p>  <p>Spanner</p>	<p>L × 4</p>  <p>Base Frame Corner Connector</p>	<p>M × 4</p>  <p>Corner Bracket</p>
<p>N × 1</p>  <p>Holding Block</p>	<p>P × 30 (4'6) 32 (5'0)</p>  <p>Side Plastic Cap</p>	<p>Q × 15 (4'6) 16 (5'0)</p>  <p>Central Plastic Cap</p>	<p>R × 1</p>  <p>Belt</p>



Place all parts on a even clean surface such as a carpet or the packing cardboard, this will help to protect them against scratching or damage.




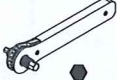
1





OPEN BACK OF HEADBOARD

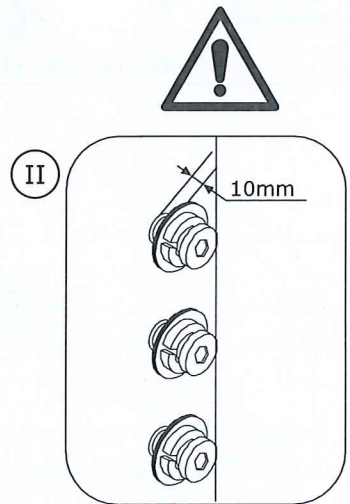
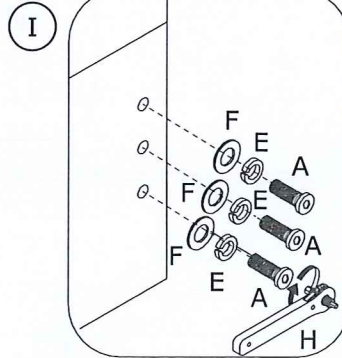
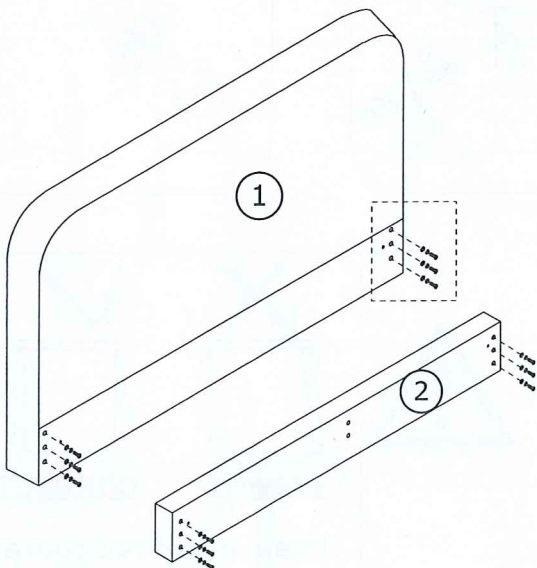


+ ② + ⑤ x2 + ⑥ x3 + ⑧ x30(4'6) + ⑧ x32(5'0) + ⑨ + ⑩ x4

2

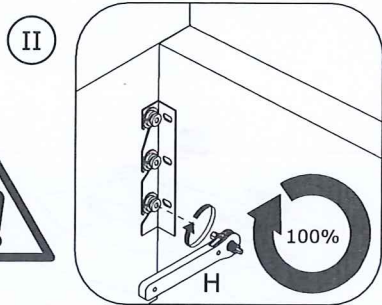
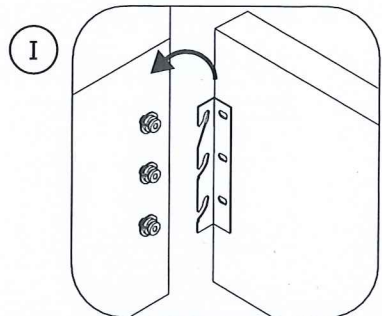
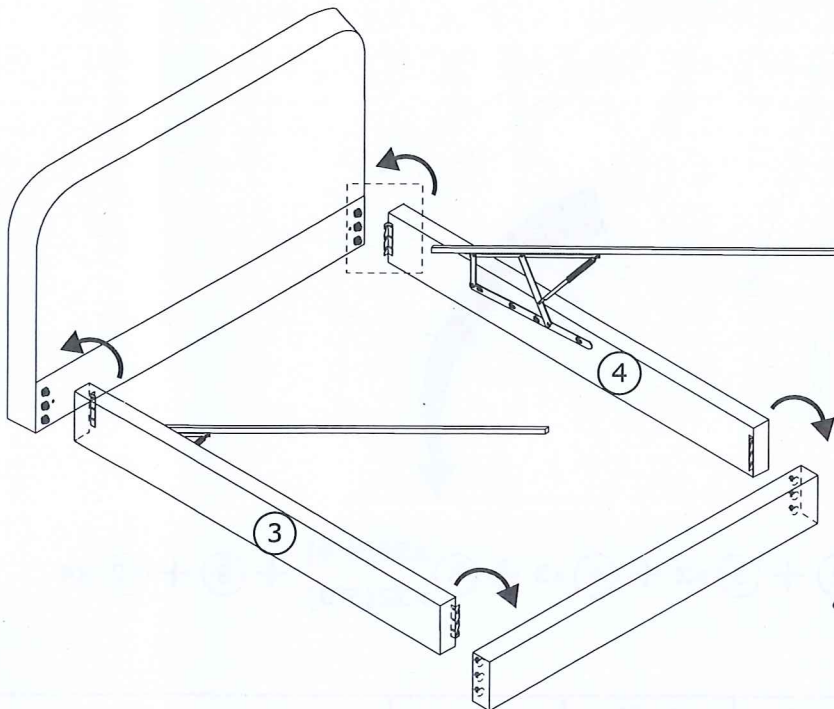
A x 12  M8x25 mm	E x 12  Spring Washer	F x 12  Flat Washer	H x 1  Ratchet 5mm	
---	--	--	---	--

A  M8x25 mm	B  M6x15 mm	C  M6x30 mm	D  M6x65 mm
--	--	--	--



3

H x 1  
Ratchet 5mm

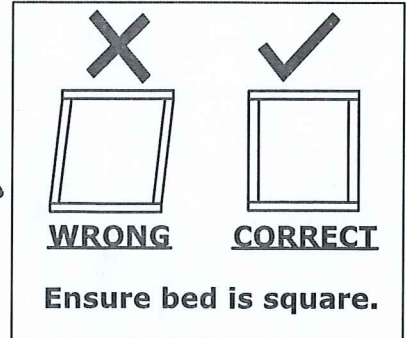
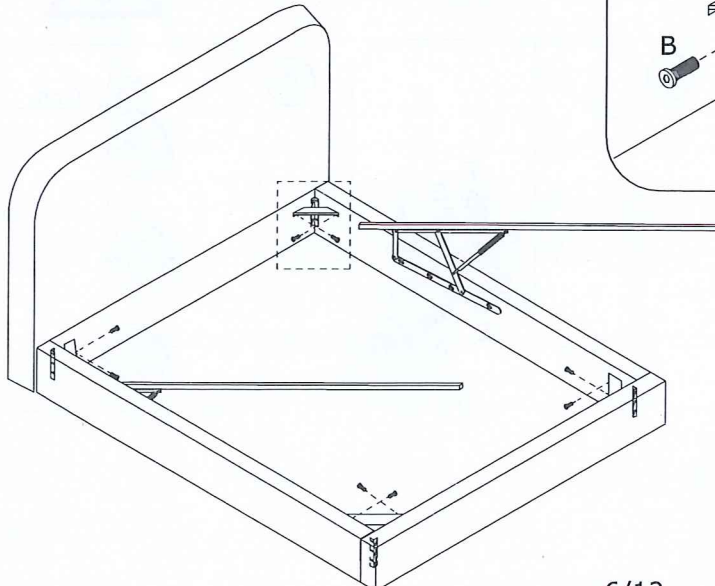
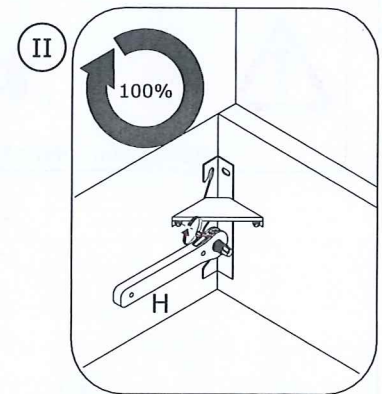
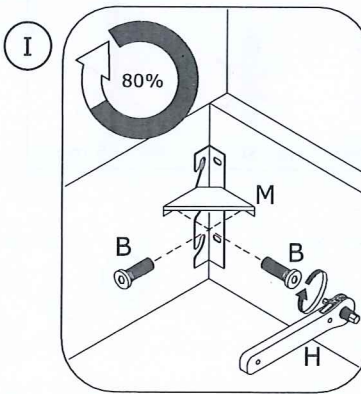
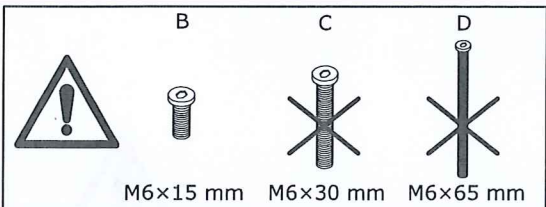


4


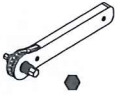
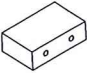
B x 8  
M6x15 mm





H x 1  
Ratchet 4mm

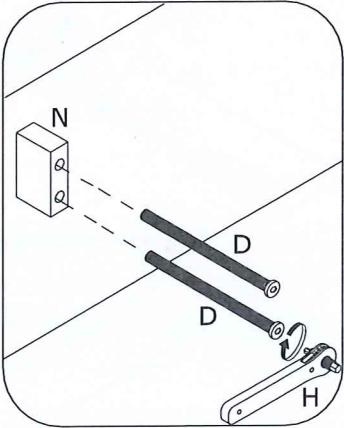
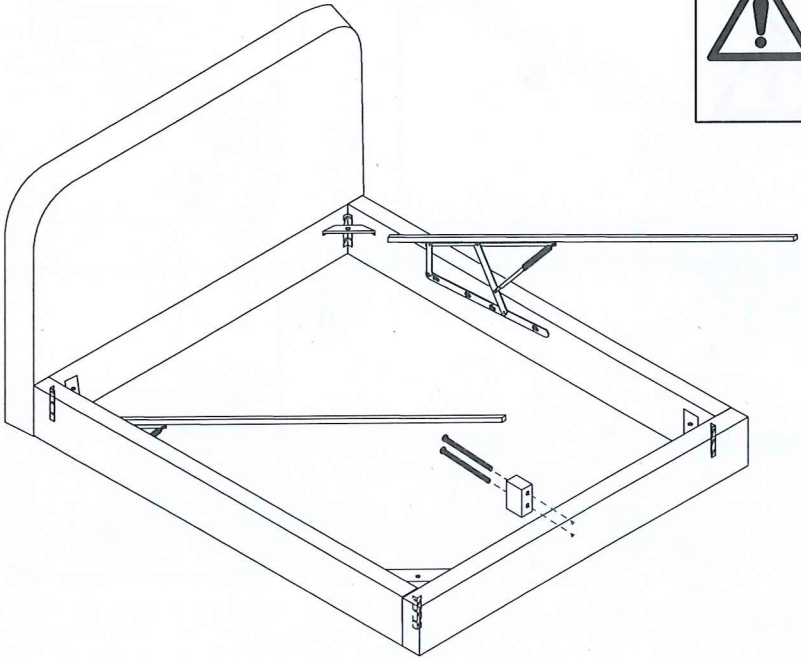
M x 4  
Corner Bracket





5

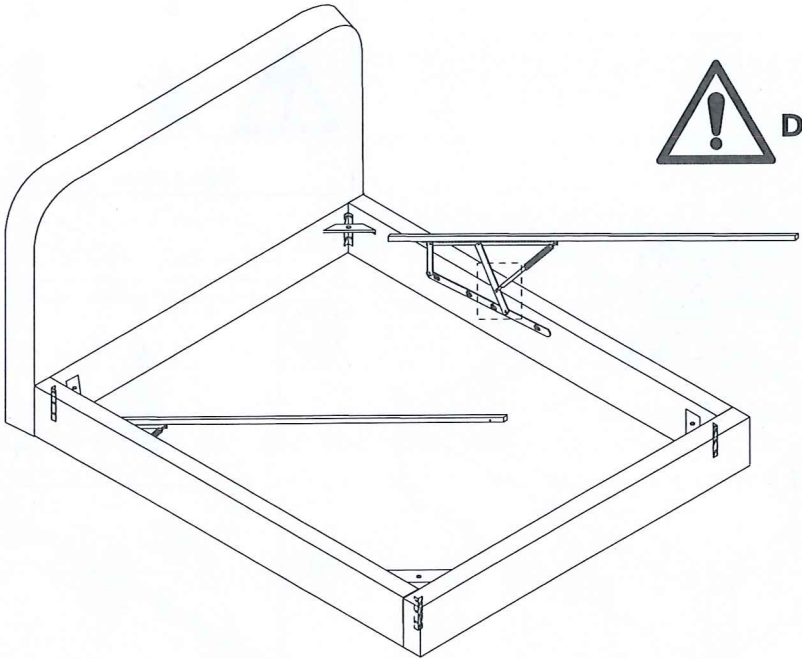
D × 2  M6×65 mm	H × 1  Ratchet 4mm	N × 1  Holding Block
--	---	---

	B  M6×15 mm	C  M6×30 mm	D  M6×65 mm
---	--	--	--

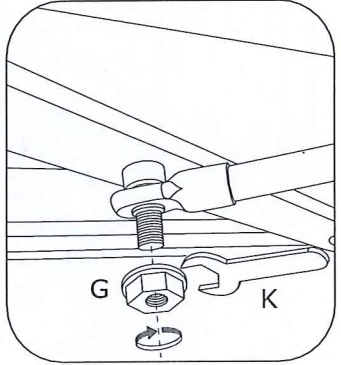


6

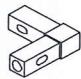
G × 2  Nut	K × 1  Spanner
---	---

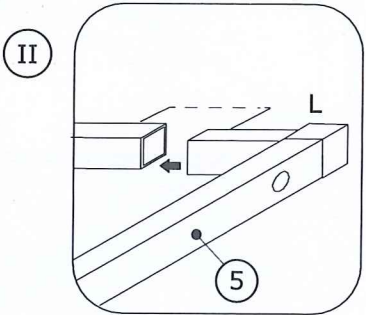
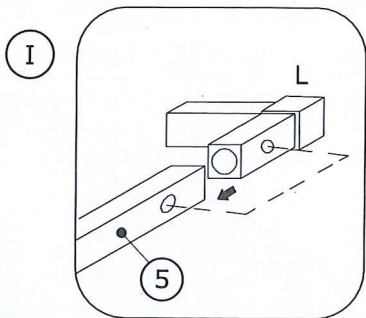
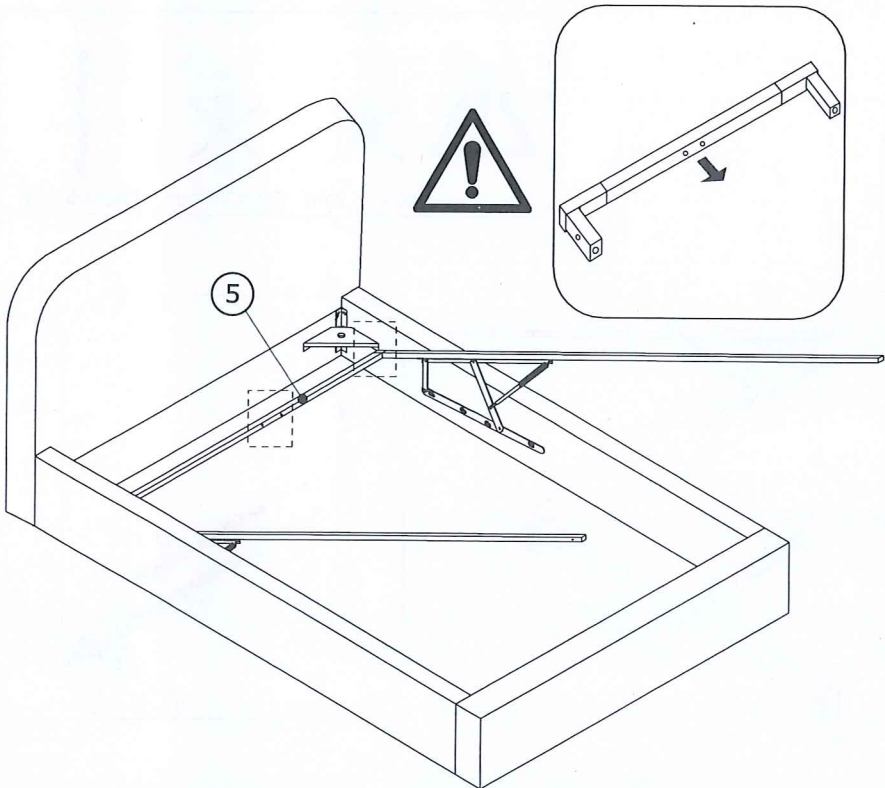


Do not over tighten the nuts.



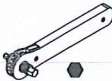
7

L x 2  
  
 Corner Connector

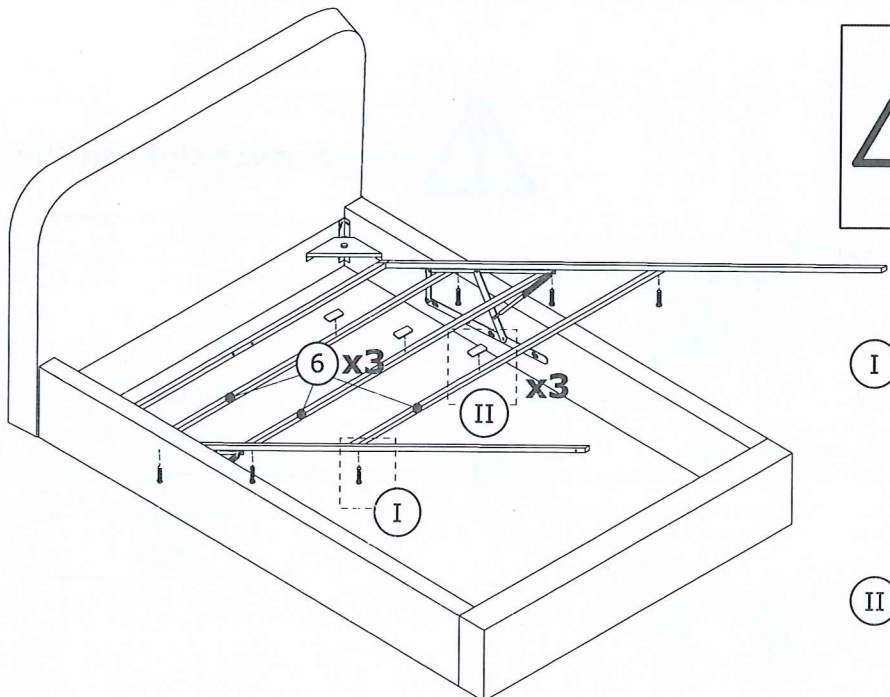





8

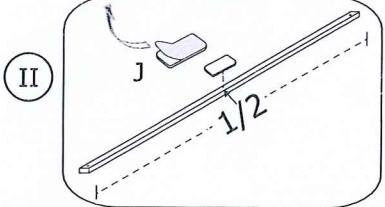
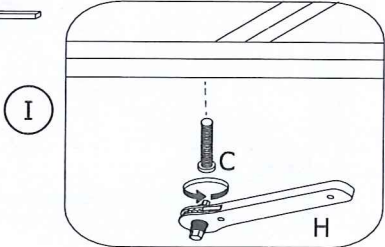
C x 6  
  
 M6x30 mm

H x 1  
  
 Ratchet 4mm


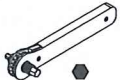
J x 3  
  
 EVA Foam Pad






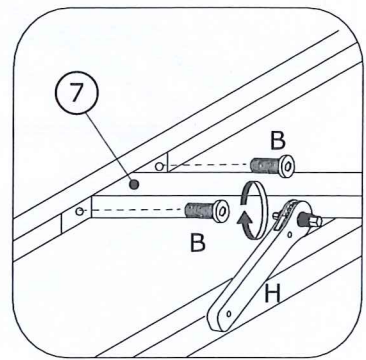
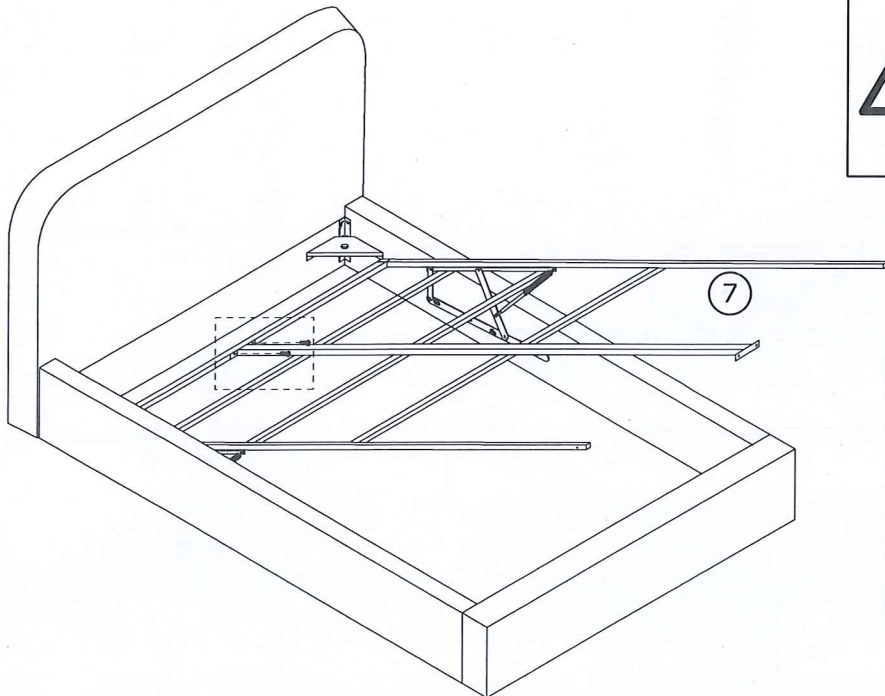
B C  
    
 M6x15 mm M6x30 mm



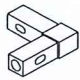
9

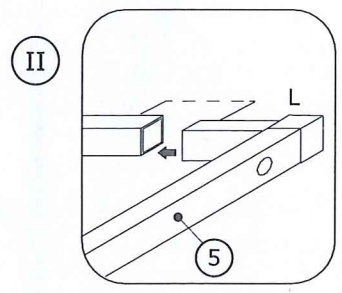
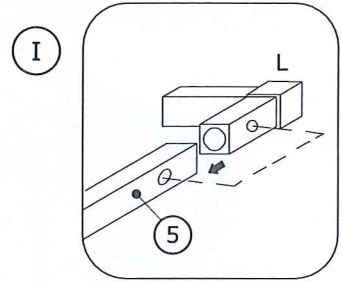
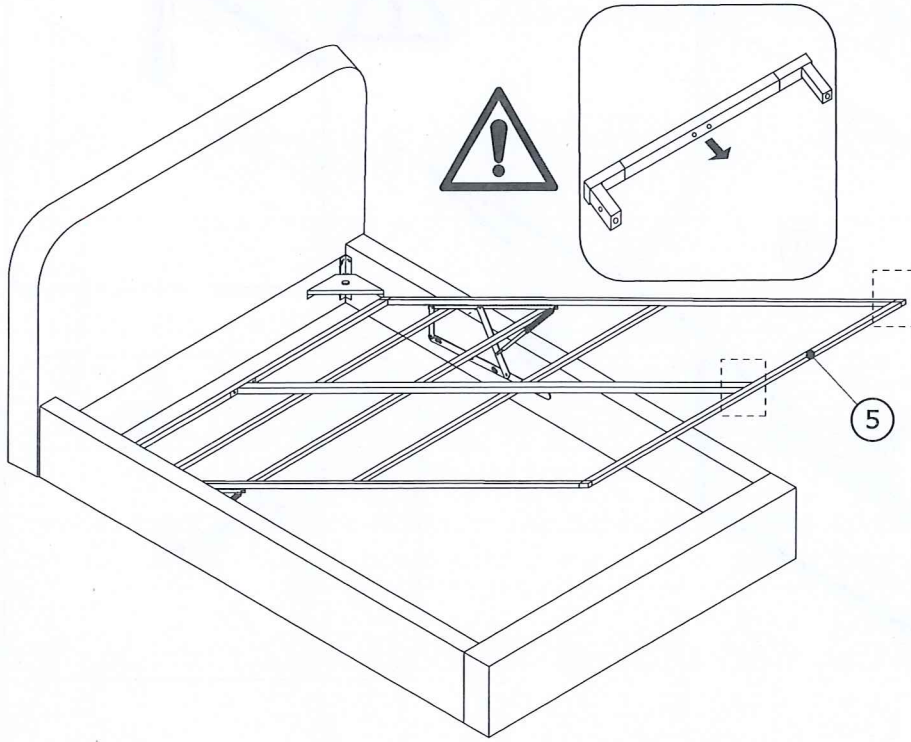
$B \times 2$  M6x15 mm	$H \times 1$  Ratchet 4mm
---	--

	$B$  M6x15 mm	$C$  M6x30 mm
---	--	--





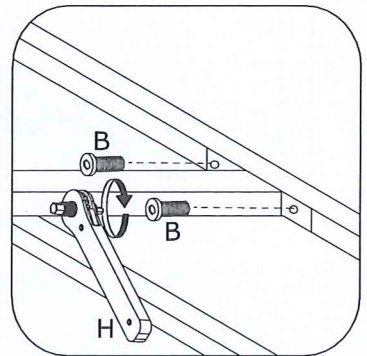
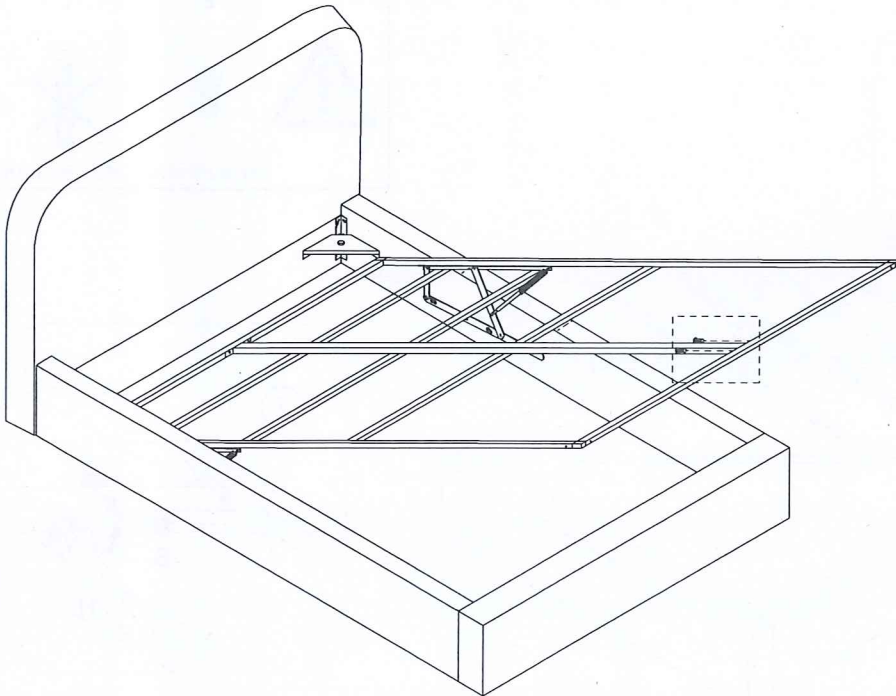
10

$L \times 2$  Corner Connector
---

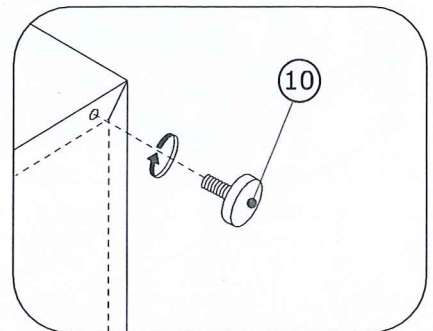
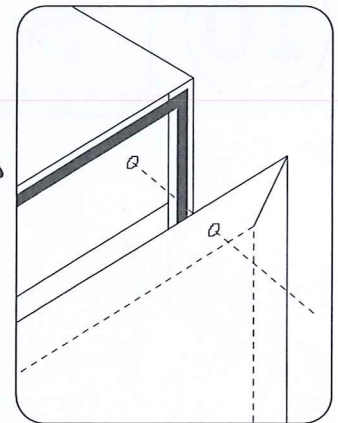
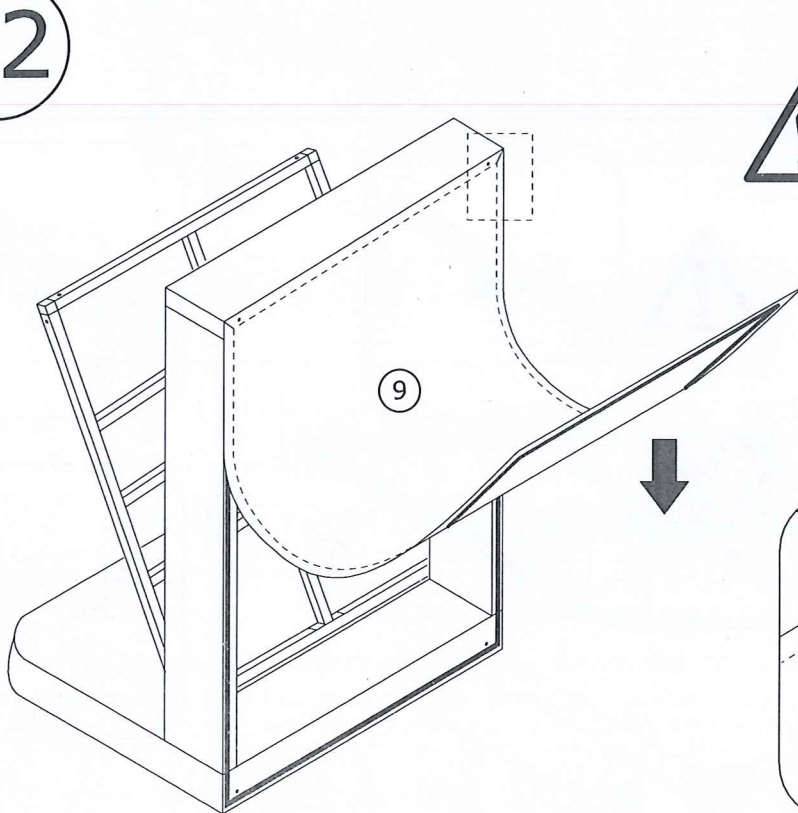


11


<p>B × 2</p>  <p>M6×15 mm</p>	<p>H × 1</p>  <p>Ratchet 4mm</p>	
--	---	--

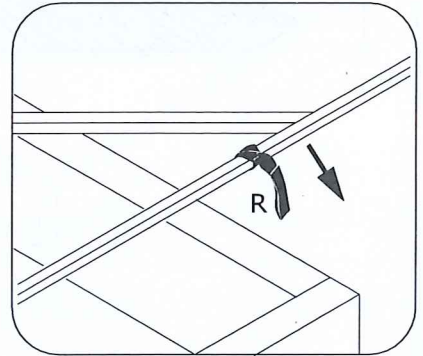
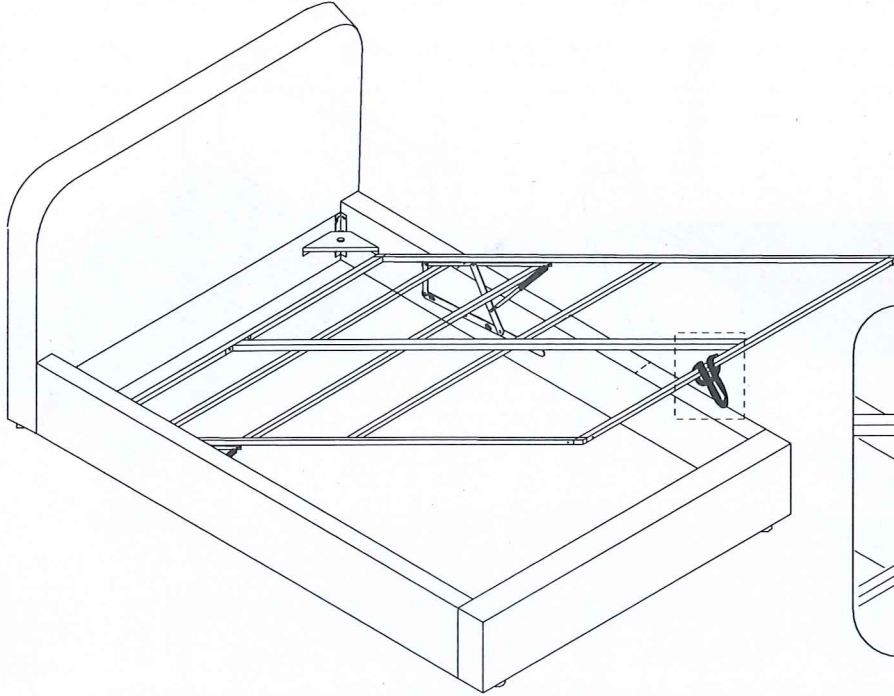


12





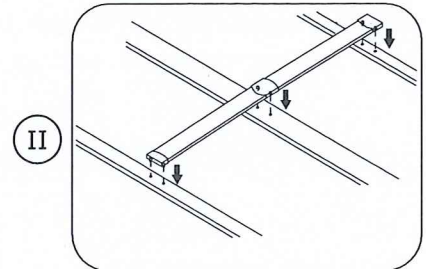
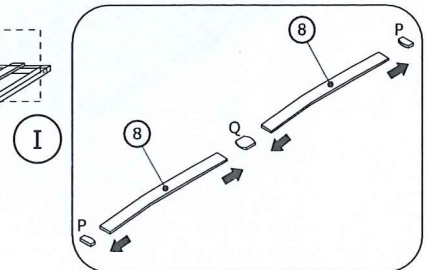
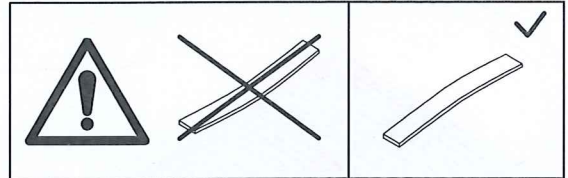
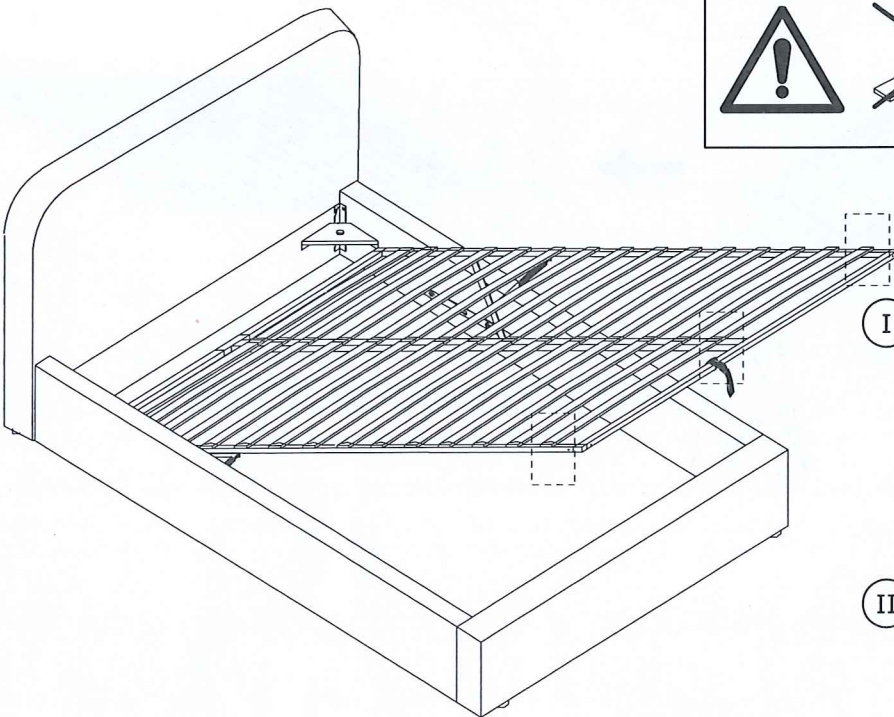
13

R × 1	
	
Belt	



14

P × 30 (4'6) 32 (5'0)	Q × 15 (4'6) 16 (5'0)	
		
Side Plastic Cap	Central Plastic Cap	



15

