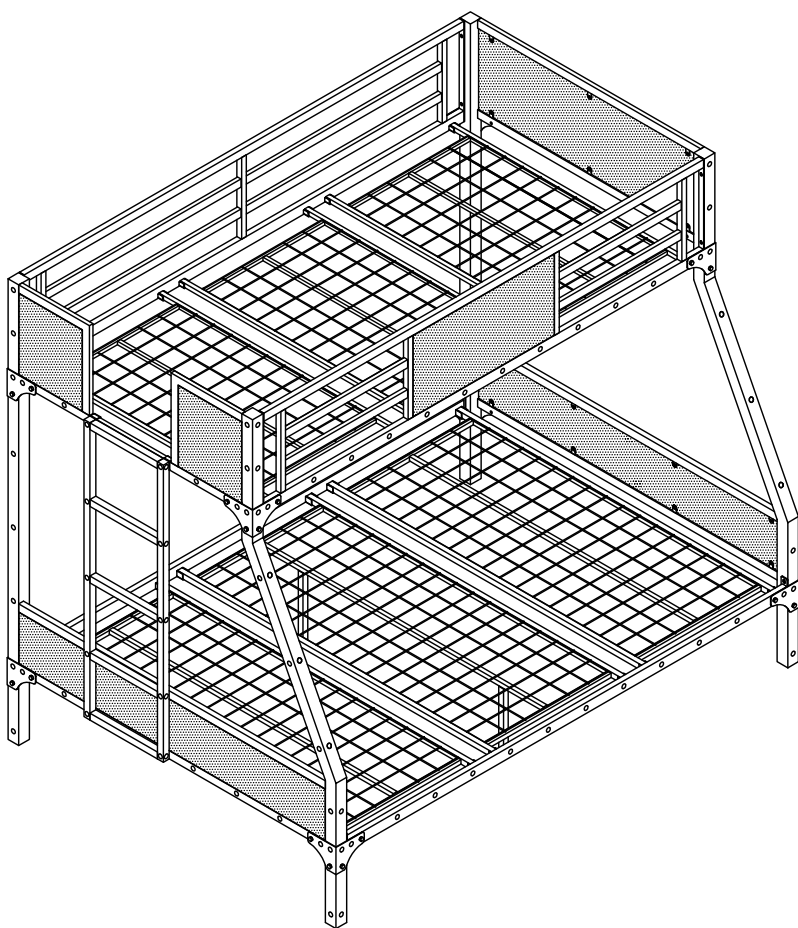


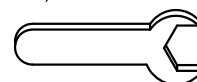
# ASSEMBLY INSTRUCTIONS



## TOOLS REQUIRED



Allen Wrench  
(Included)



Wrench  
(Included)



**3 - People  
Recommended**

## ASSEMBLY RATING



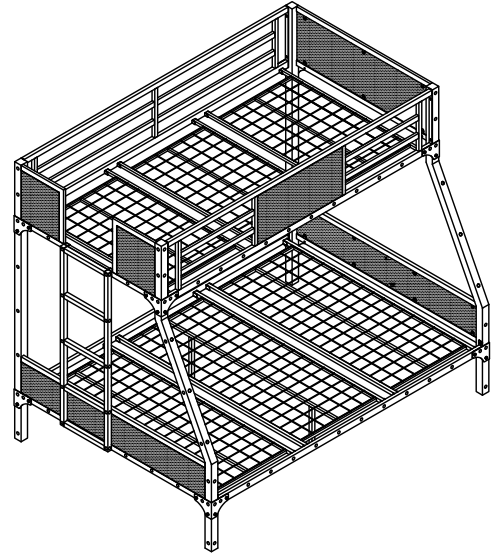
EASY —————> DIFFICULT

The Assembly Rating is a 5-point system showing the level of effort needed to assemble a specific product.

# BUNKBED

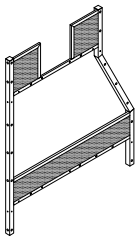


- Please keep instructions for future reference.
- Check the quantity and irregularity of parts and hardware before you start.



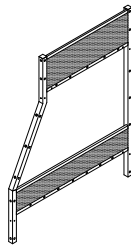
## PARTS

#1 1pc



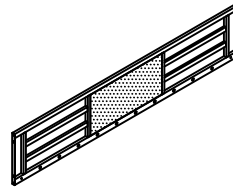
Left Panel

#2 1pc



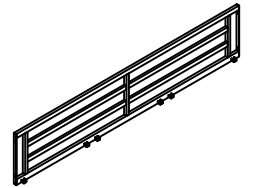
Right Panel

#3 1pc



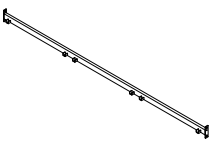
Front Guardrail

#4 1pc



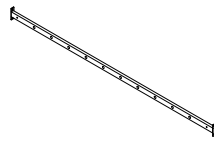
Back Guardrail

#5 1pc



Back Side Rail

#6 1pc



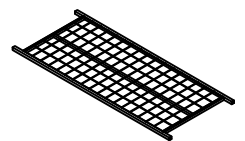
Front Side Rail

#7 1pc



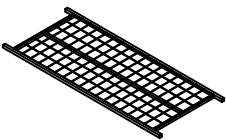
Ladder

#8 3pcs



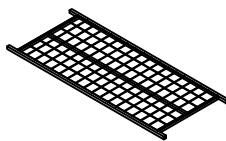
Base Frame 1

#9 1pc



Base Frame 2

#10 2pcs



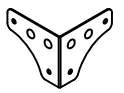
Base Frame 3

#11 2pcs



Support Leg

#12 8pcs

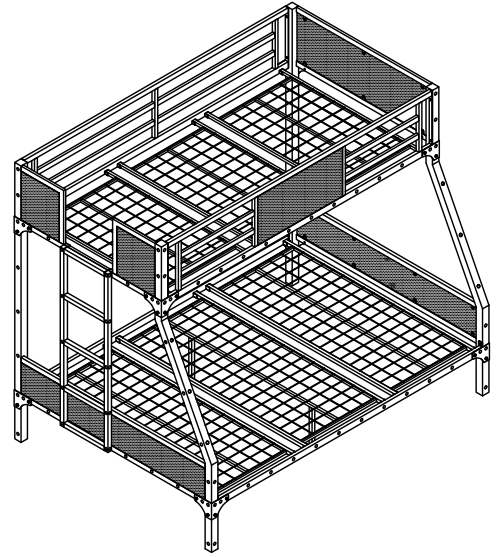


Garnish

# BUNKBED



- Please keep instructions for future reference.
- Check the quantity and irregularity of parts and hardware before you start.



## HARDWARE

#A 24pcs



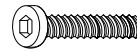
Bolt 1/4" x 5/8"  
(Black)

#B 16pcs



Bolt 1/4" x 3/4"  
(Black)

#C 4pcs



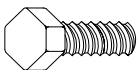
Bolt 1/4" x 1-1/4"  
(Black)

#D 2pcs



Bolt 1/4" x 1-3/4"  
(Black)

#E 32pcs



Hex Bolt 5/16" x 1/2"  
(Black)

#F 46pcs



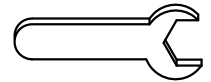
Flat Washer  
Ø16mm (Black)

#G 1pc



Allen Wrench  
4 x 4 mm (Black)

#H 1pc

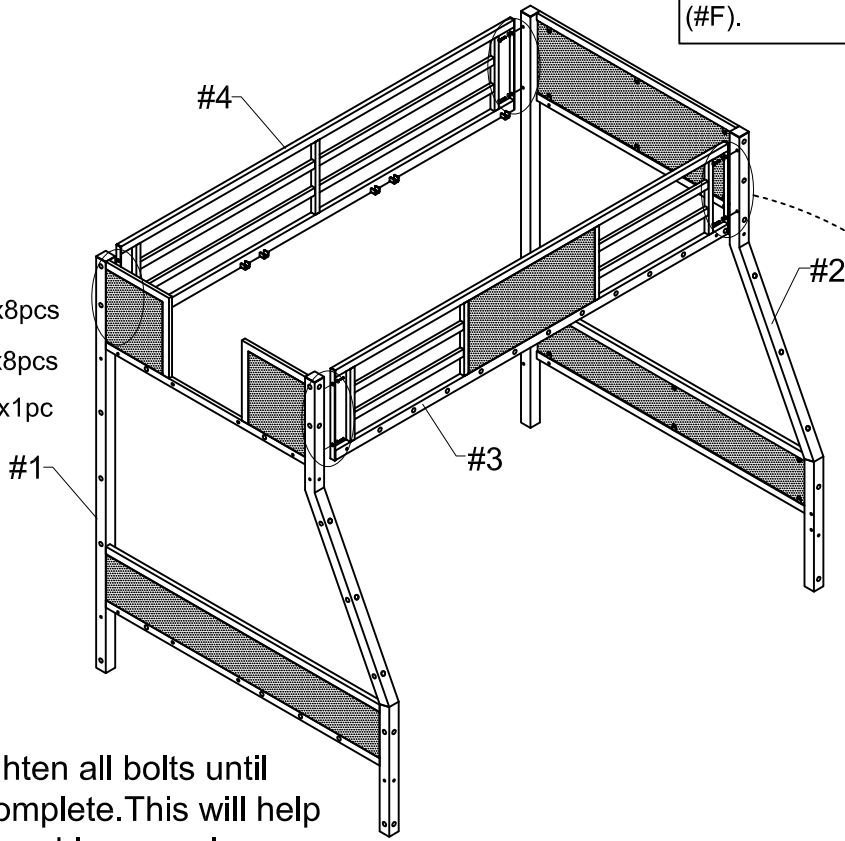


Wrench 14mm  
(White)

# ASSEMBLY INSTRUCTIONS

## 1

- Part #1 x1pc
- Part #2 x1pc
- Part #3 x1pc
- Part #4 x1pc
- Hardware #B x8pcs
- Hardware #F x8pcs
- Hardware #G x1pc



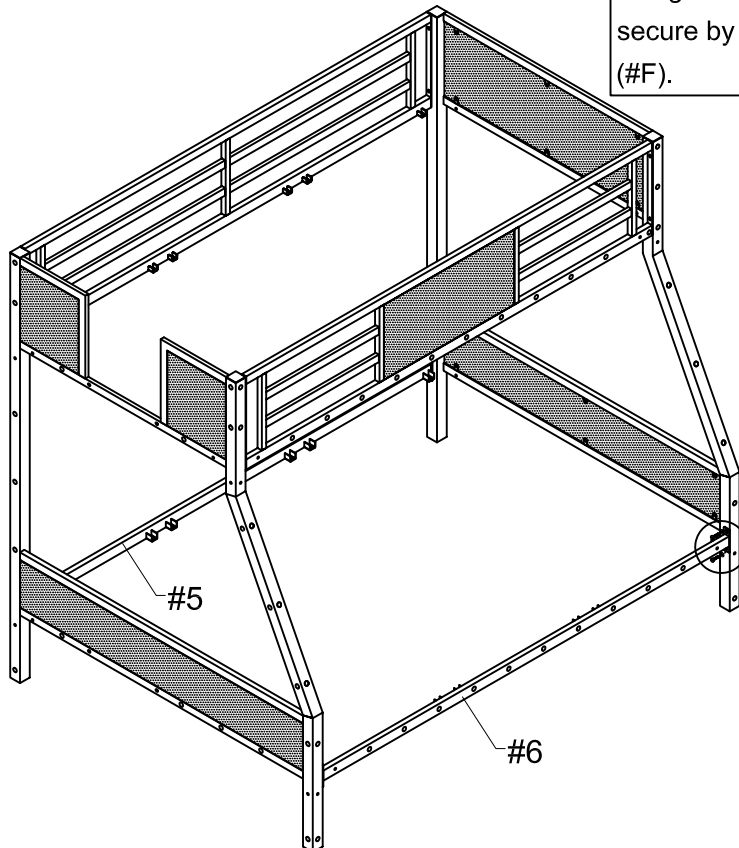
Align the guardrails (#3, #4) to the holes along the top of the panels (#1, #2), then secure by using bolts (#B) with washers (#F).

### ASSEMBLY

Do not fully tighten all bolts until assembly is complete. This will help all parts to assemble properly.

## 2

- Part #5 x1pc
- Part #6 x1pc
- Hardware #B x8pcs
- Hardware #F x8pcs
- Hardware #G x1pc

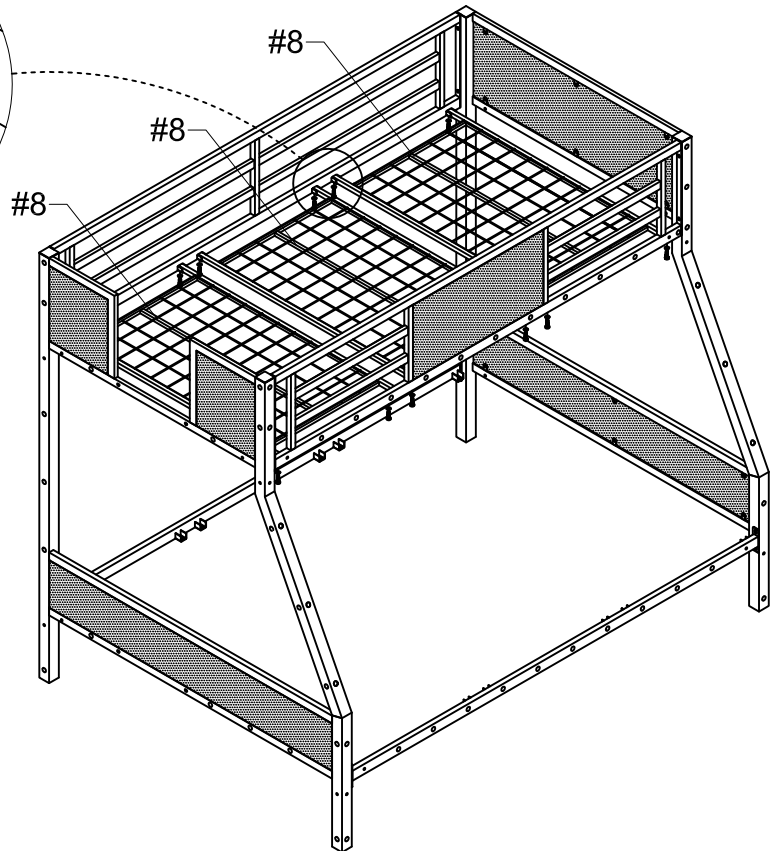
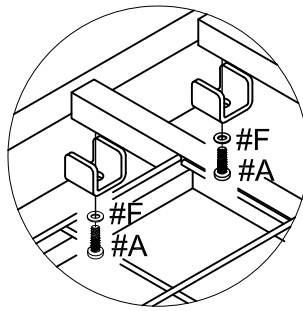


Align the side rails (#5, #6) to the holes along the bottom of panels (#1, #2), then secure by using bolts (#B) with washers (#F).

# ASSEMBLY INSTRUCTIONS

## 3

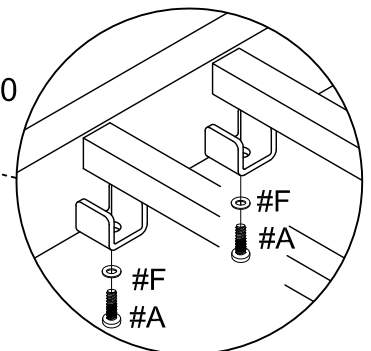
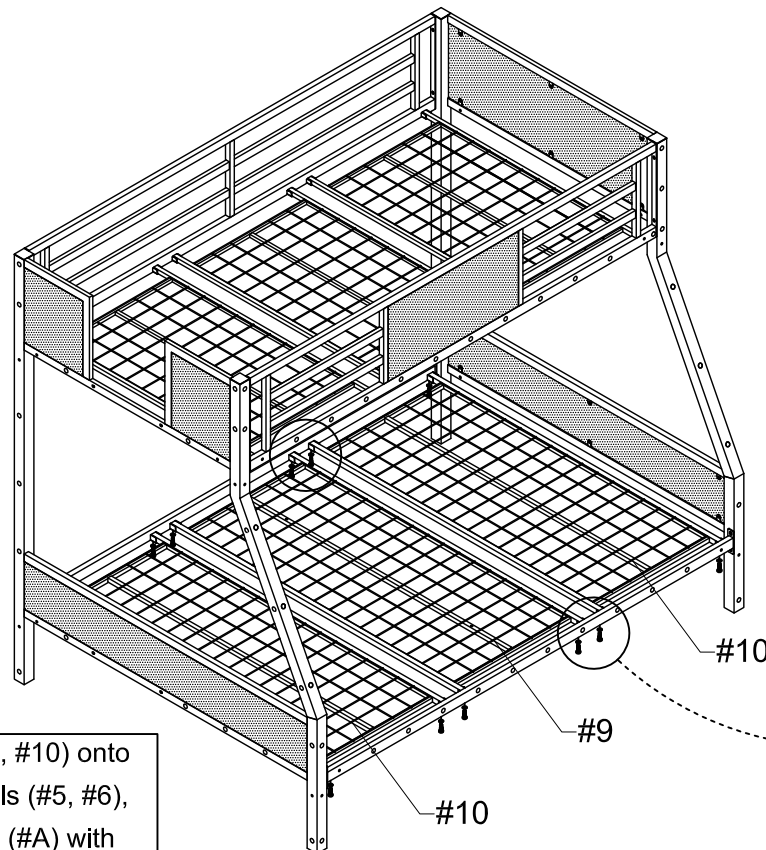
- Part #8 x3pc
- Hardware #A x12pcs
- Hardware #F x12pcs
- Hardware #G x1pc



Place the base frame 1 (#8) onto the top bed, then secure by using bolts (#A) with washers (#F).

## 4

- Part #9 x1pc
- Part #10 x2pcs
- Hardware #A x12pcs
- Hardware #F x12pcs
- Hardware #G x1pc

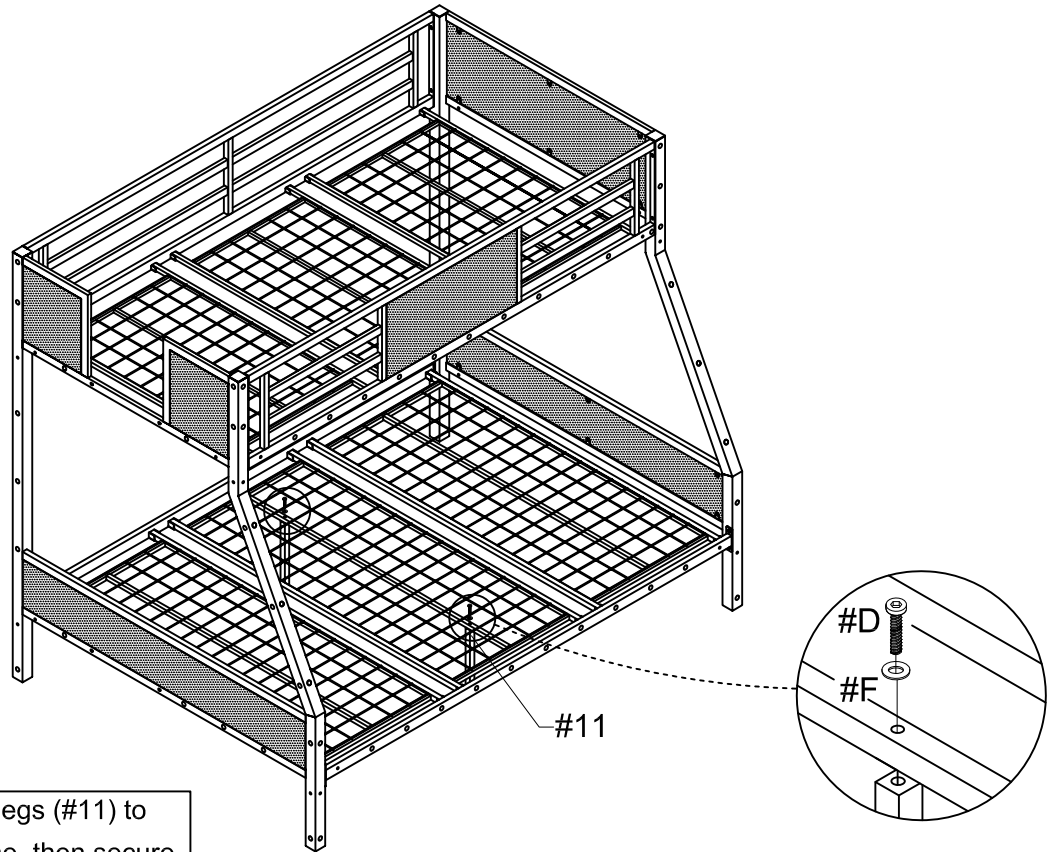


Place the base frames (#9, #10) onto the slots along the side rails (#5, #6), then secure by using bolts (#A) with washers (#F).

# ASSEMBLY INSTRUCTIONS

## 5

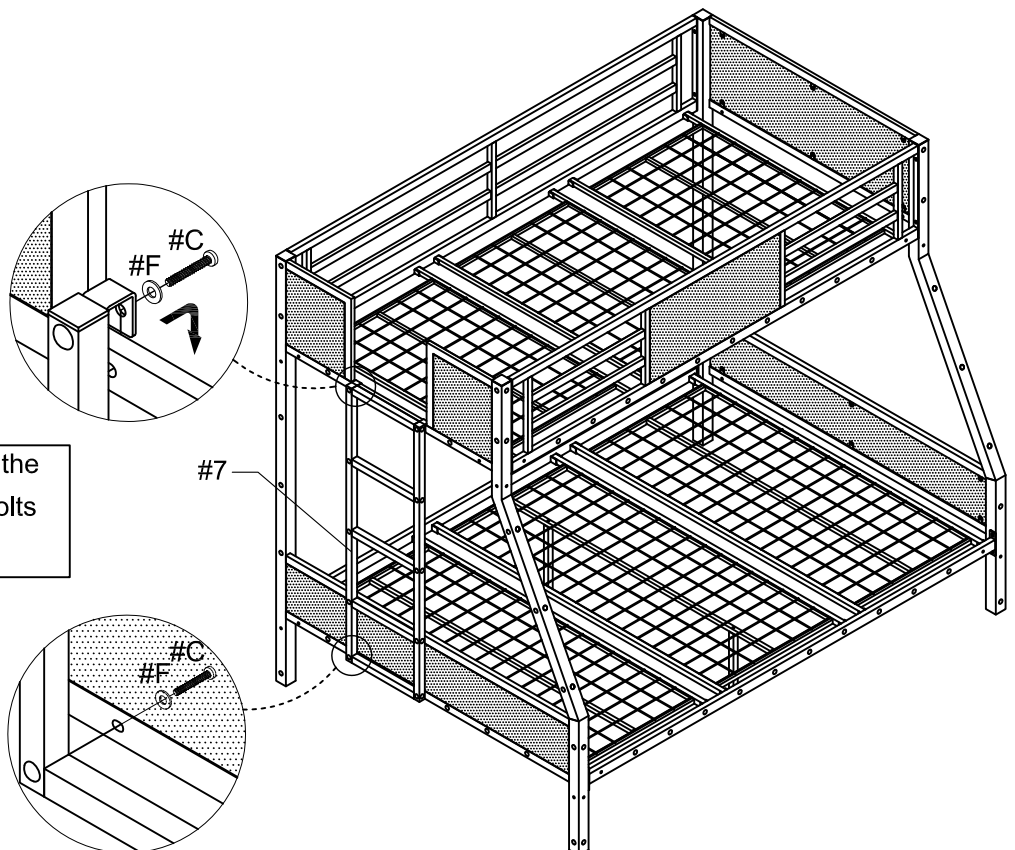
- Part #11 x2pcs
- Hardware #D x2pcs
- Hardware #F x2pcs
- Hardware #G x1pc



Align the top of the support legs (#11) to the bottom center base frame, then secure by using bolts (#D) with washers (#F).

## 6

- Part #7 x1pc
- Hardware #C x4pcs
- Hardware #F x4pcs
- Hardware #G x1pc

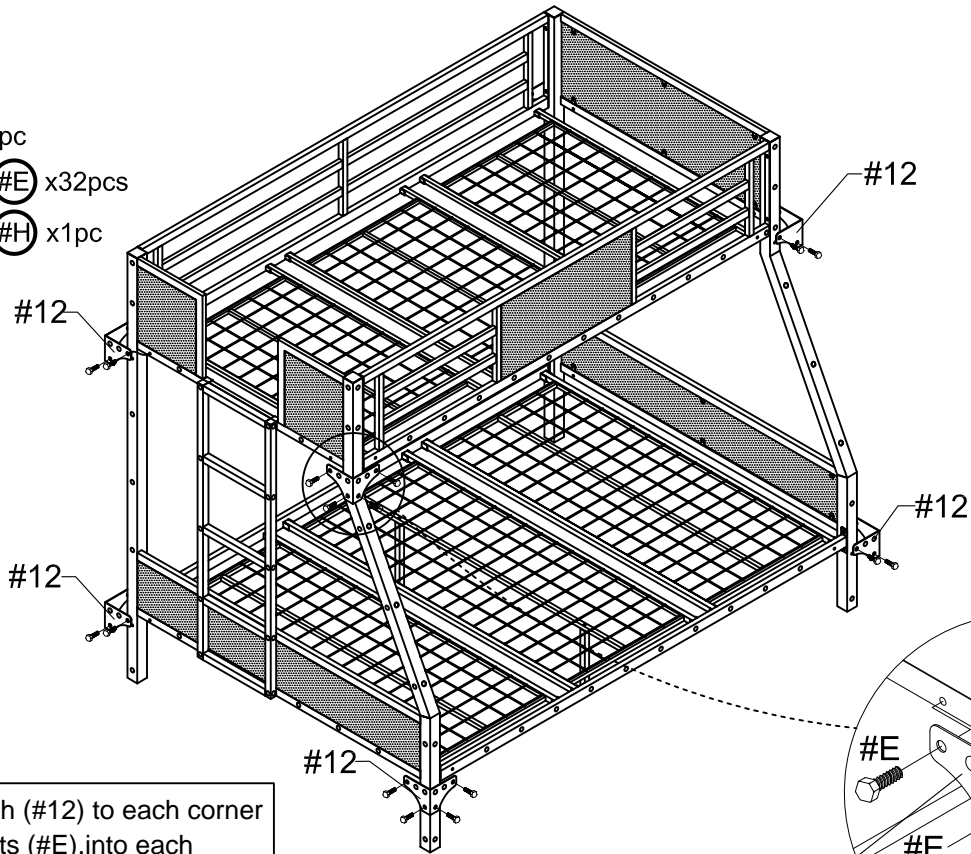


Hook the top of the ladder (#7) to the left panel, then secure by using bolts (#C) with washers (#F).

# ASSEMBLY INSTRUCTIONS

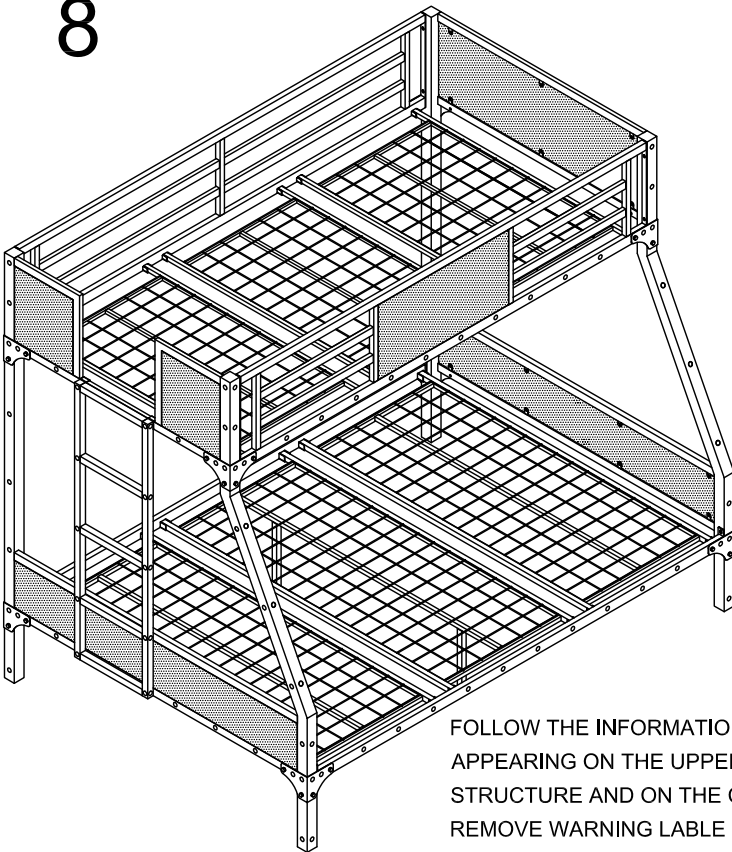
## 7

Part **#12** x8pc  
Hardware **#E** x32pcs  
Hardware **#H** x1pc



Align the garnish (#12) to each corner and insert 4 bolts (#E) into each garnish, then secure using wrench (#H).

## 8



FOLLOW THE INFORMATION ON THE WARNING APPEARING ON THE UPPER BUNK BED STRUCTURE AND ON THE CARTON. DO NOT REMOVE WARNING LABEL FROM BED. KEEP THESE INSTRUCTIONS FOR FUTURE REFERENCE.

## ASSEMBLY COMPLETED



Please ensure the furniture rests on an even and flat surface. If the product wobbles or feels loose, double-check all bolts and/or screws are properly tightened and secured.



### Keep this handy!

Please retain this instruction manual and any order-related information for future reference.



### Lift, don't drag!

To avoid damage to product please always LIFT the product when transporting or adjusting the placement.

## Safety Warnings

1. Follow the information on the warnings appearing on the upper bunk end structure and on the carton. Do not remove warning label from bed.
2. Always use the recommended size mattresses or mattress supports, or both, to help prevent the likelihood of entrapment or falls.
3. Surface of mattress must be at least 5 in. (127mm) below the upper edge of guardrails.
4. Do not allow children under 6 years of age to use the upper bunk.
5. Periodically check and ensure that the guardrail, ladder, and other components are in their proper position, free from damage, and that all connectors are tight.
6. Do not allow horseplay on or under the bed and prohibit jumping on the bed.
7. Always use the ladder for entering and leaving the upper bunk.
8. Do not use substitute parts. Contact the manufacturer or dealer for replacement parts.
9. Use of a night light may provide added safety precaution for a child using the upper bunk.
10. Always use guardrails on both long sides of the upper bunk. If the bunk bed will be placed next to the wall, the guardrail that runs the full length of the bed should be placed against the wall to prevent entrapment between the bed and wall.
11. The use of water or sleep flotation mattresses is prohibited.
12. Keep these instructions for future reference.
13. Use only mattress which is (74"-75")X(37 $\frac{1}{2}$ "-38 $\frac{1}{2}$ ")X6" on upper bunk and for bottom bunk required (74"-75")X(53 $\frac{1}{2}$ "-54 $\frac{1}{2}$ ")X8" mattress.
14. Prohibit more than one person on upper bunk.
15. Maximum total weight is not to exceed 400 lbs. on the upper bunk.

### STRANGULATION HAZARD:

Never attach or hang items to any part of the bunk bed that are not designed for use with the bed; for example, but not limited to, hooks, belts and jump ropes.