


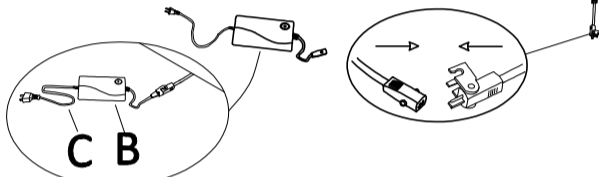
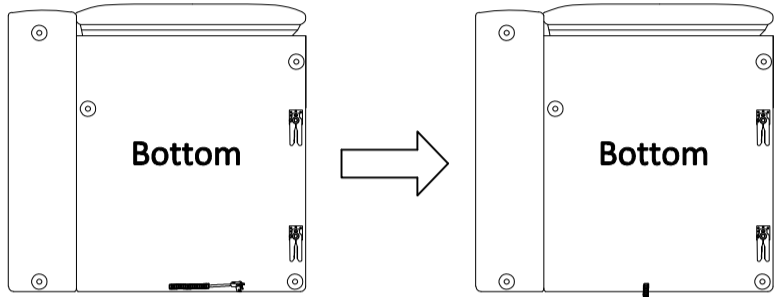
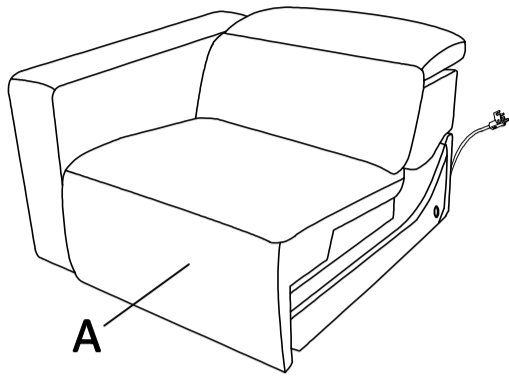


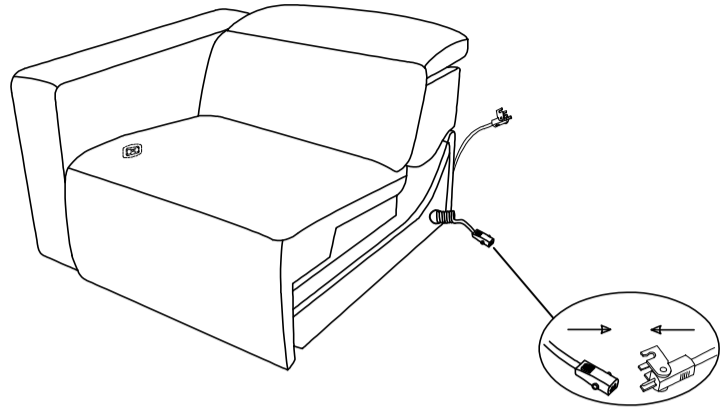
<b>A</b>		1pc	<b>Body</b>
<b>B</b>		1pc	<b>Transformer</b>
<b>C</b>		1pc	<b>Charger</b>

① Pull the power input wire from the back of the body, connect with the transformer and charger.

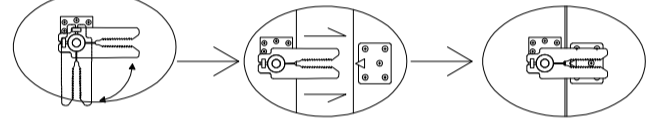
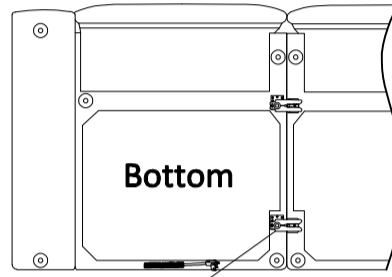


Connect B and C

② Take out the wire connector from the side and connect with other pieces.



③

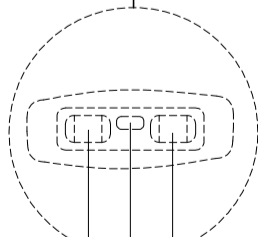
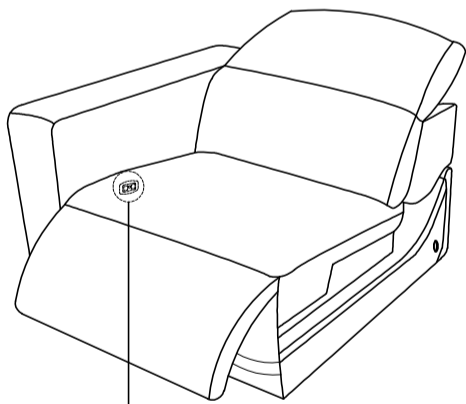


Product description: 237023-Radley Motion LAF PC



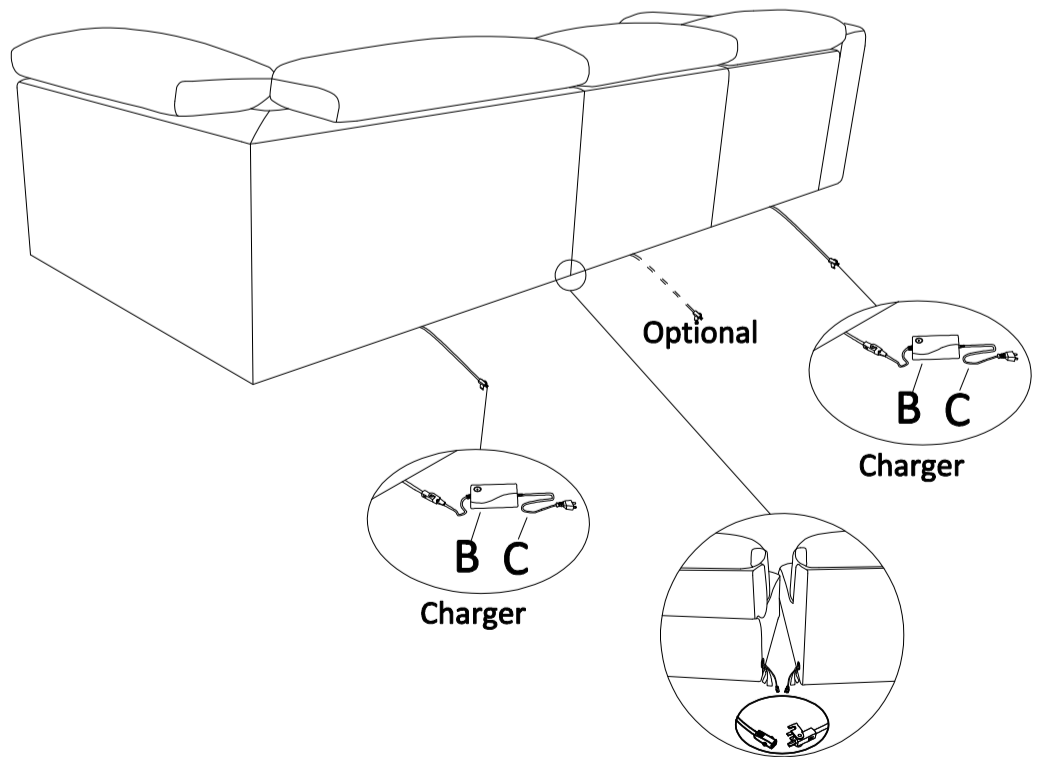
CONFIDENTIAL AND EXCLUSIVE PROPERTY OF FOURHANDS LLC@2017 Four Hands, Inc. ALL rights reserved

④ Find switch panel on the side of the seat cushion .



Footrest control button  
Home button  
Headrest control button

⑤ Each charger can support running maximum 2 pieces at the same time.



Product description: 237023-Radley Motion LAF PC



CONFIDENTIAL AND EXCLUSIVE PROPERTY OF FOURHANDS LLC@2017 Four Hands, Inc. ALL rights reserved