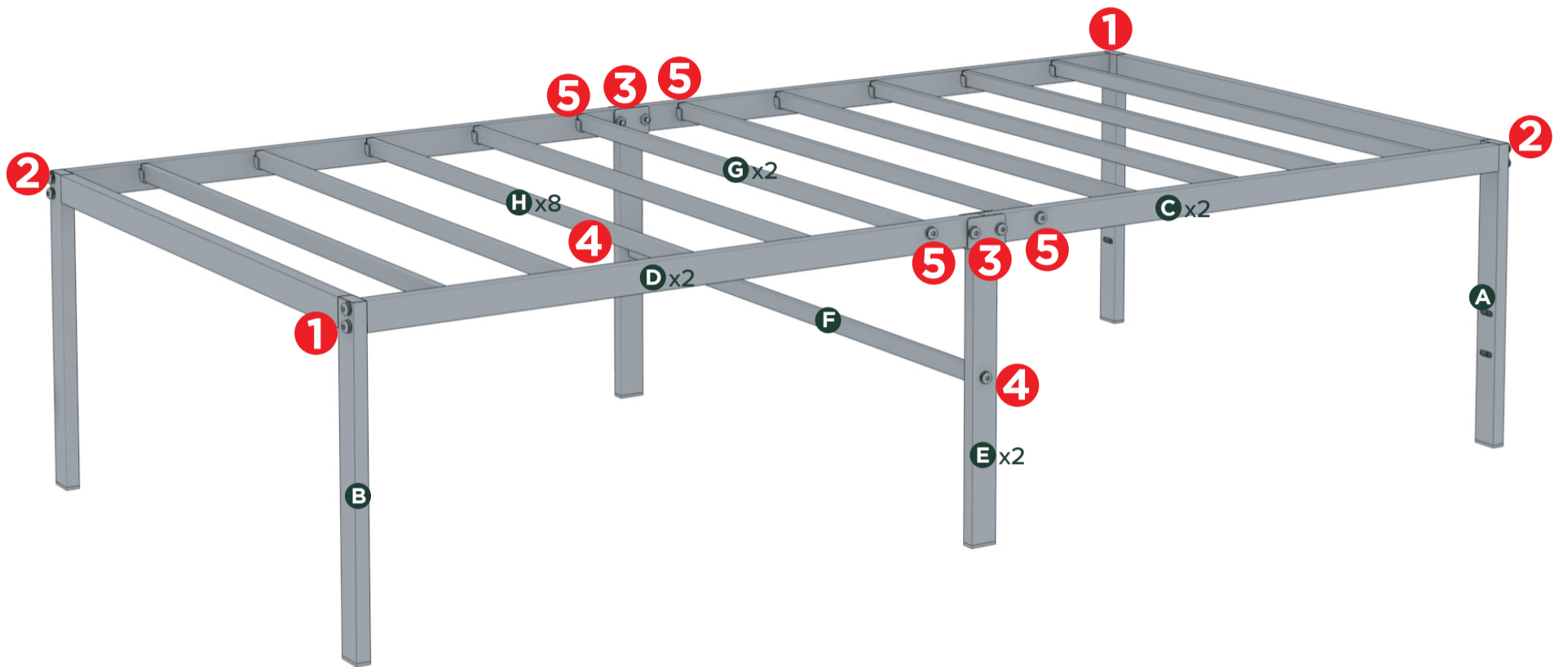
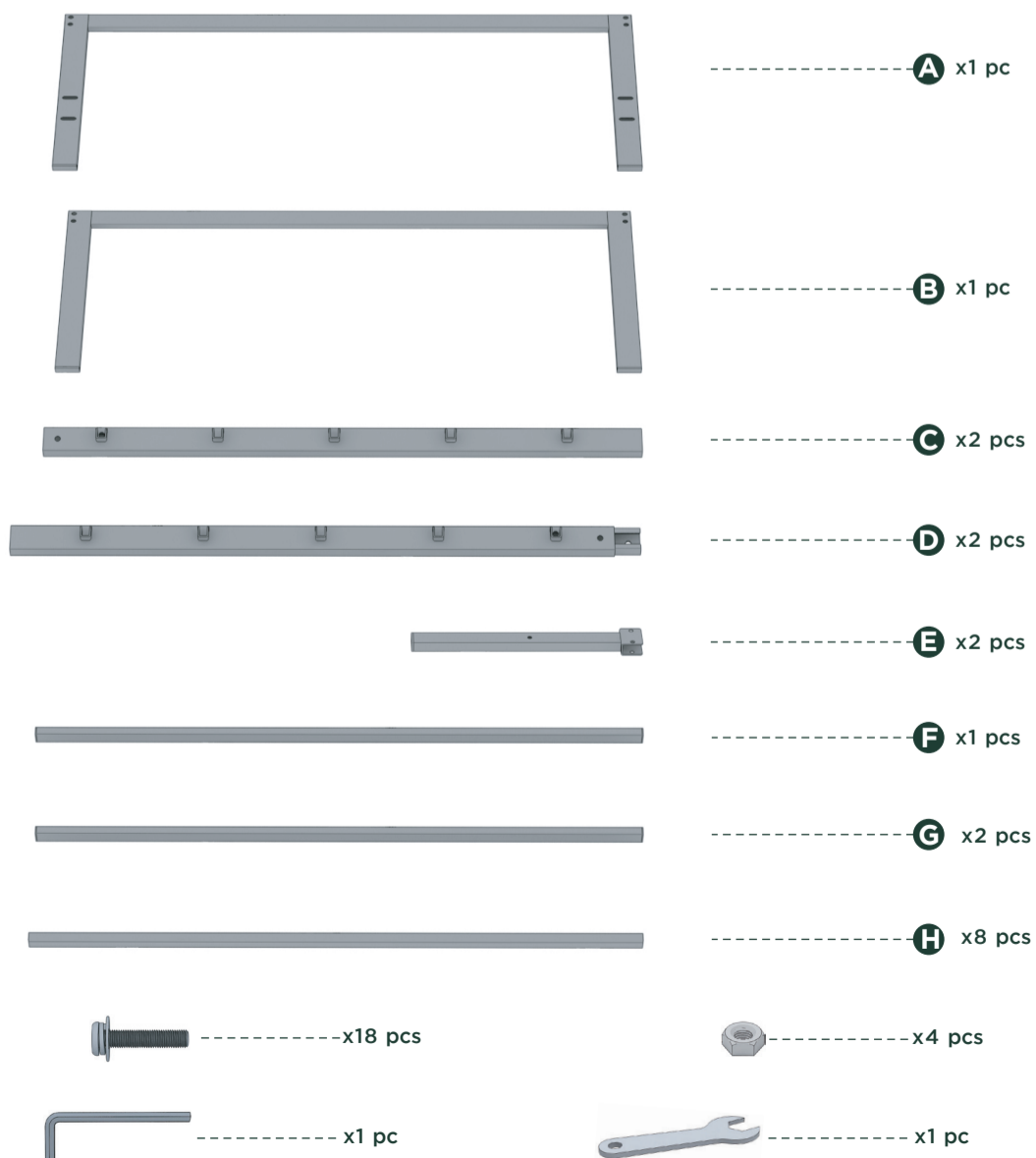


Easy as 1-2-3 Assembly Instruction

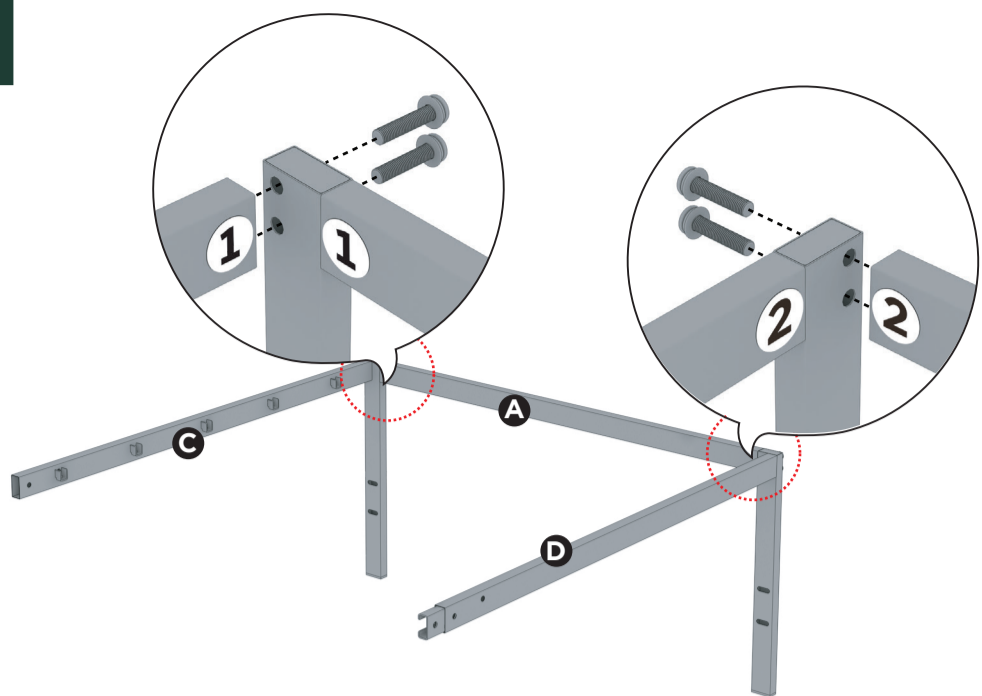
Numbers must Match for Secure Assembly



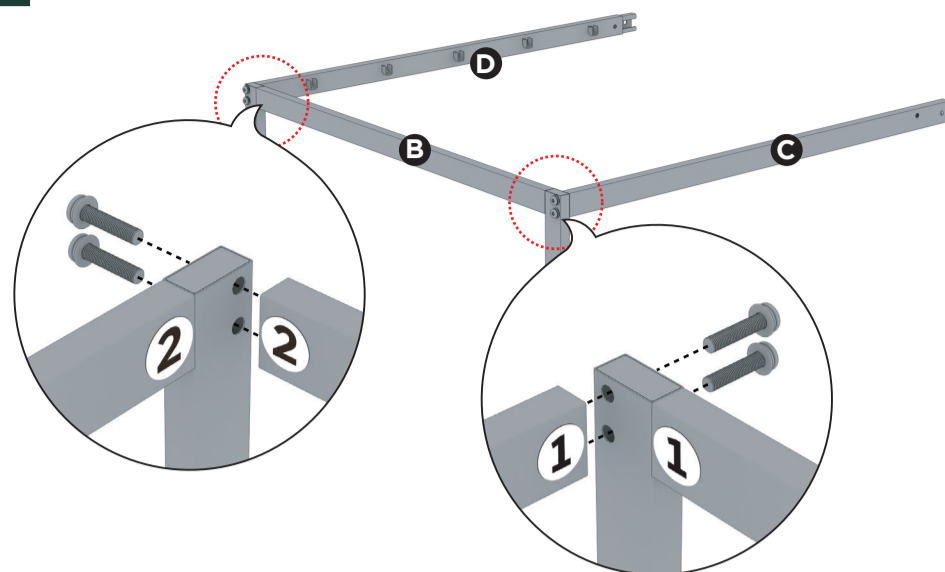
Components



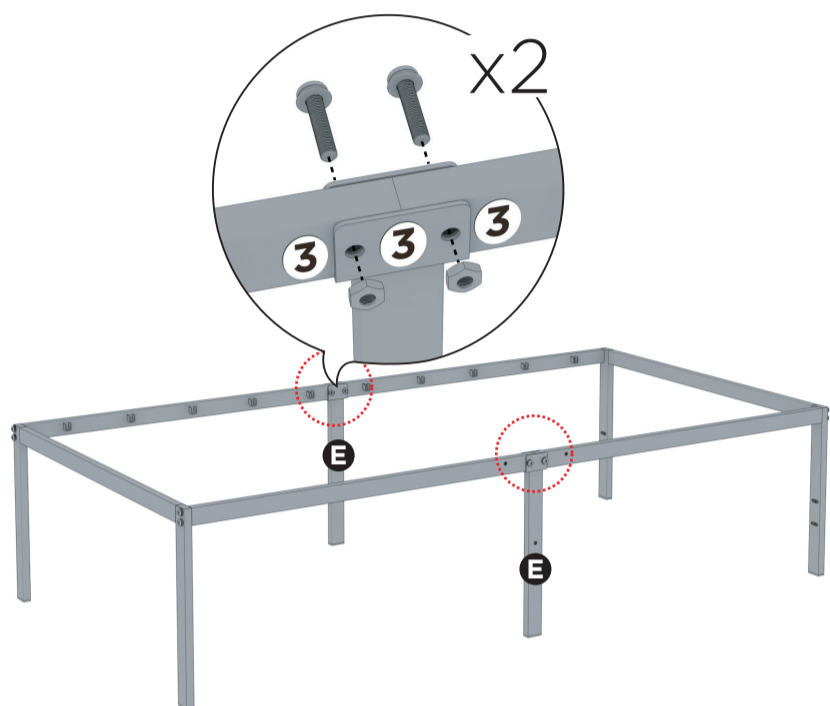
1



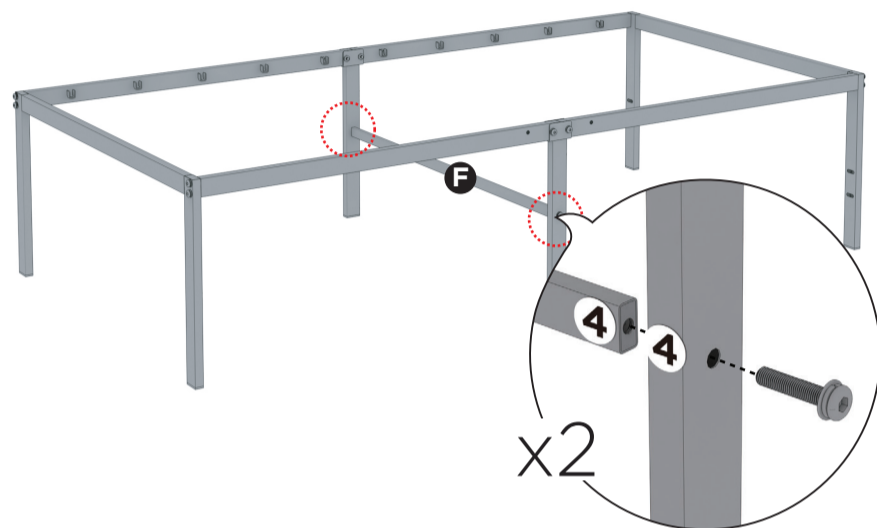
2



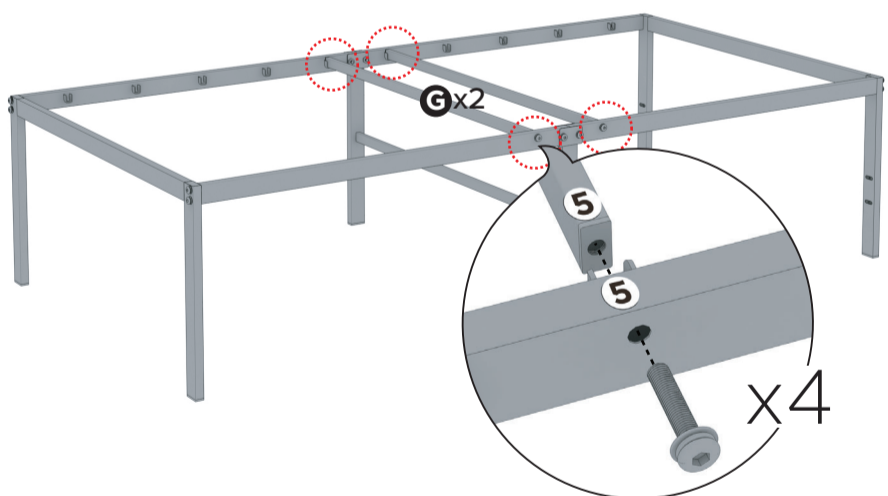
3



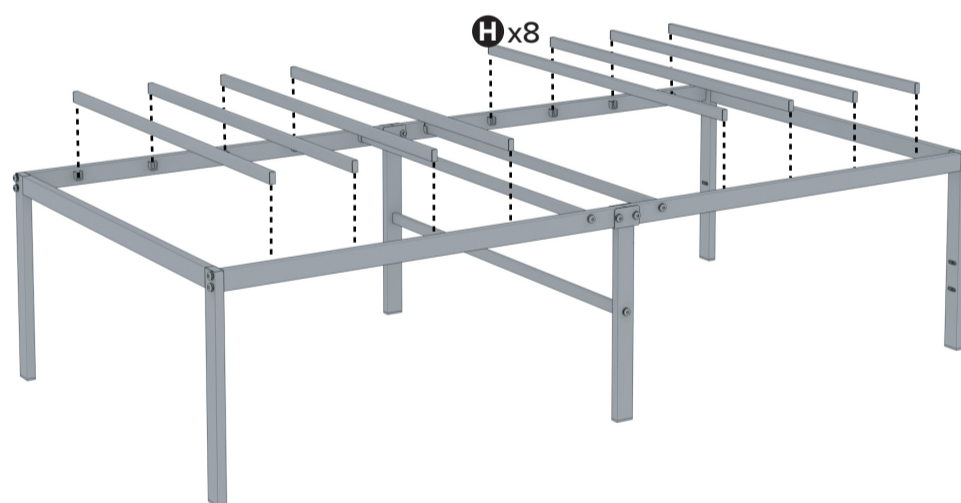
4



5



6



7



8

