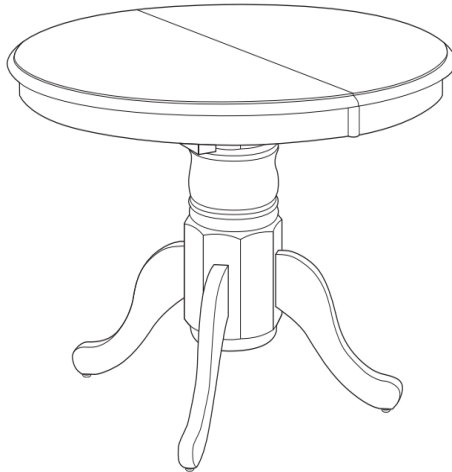


PADSTOW DINING TABLE

ASSEMBLY GUIDE



SCAN ME

www.furniturebox.co.uk

Scan QR code for more tips,
and advice or visit
furniturebox.co.uk/club/general-club-page



Important - Please read these instructions fully before starting assembly



**SAFETY AND
CARE ADVICE**



NO POWER TOOLS

SAFETY AND CARE ADVICE

- Check you have all the components and tools listed.
- Remove all fittings from the plastic bags and separate them into their groups.
- We do not recommend the use of power drills/drivers for inserting screws, as this could damage the unit. Only use hand screwdrivers and Allen keys.
- Keep children and animals away from the work area, small parts could cause choking if swallowed.
- Make sure you have enough space to lay out the parts before starting.
- Assemble the item as close to its final position (in the same room) as possible.
- Do not overtighten the nuts to avoid causing damage to the threads.
- Only clean using a damp cloth and mild detergent, do not use bleach or abrasive cleaners.
- From time to time check that there are no loose screws on this unit
- This product should not be discarded with household waste. Take to your local authority waste disposal centre



IMPORTANT INFORMATION



30 MINUTE
BUILD



TWO
PERSON

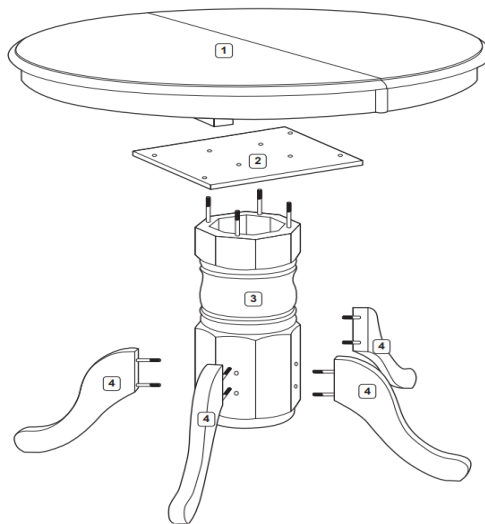


MAXIMUM
CAPACITY
120Kg








PLEASE CHECK CAREFULLY AND MAKE SURE YOU HAVE ALL FITTINGS AND TOOLS LISTED BELOW BEFORE YOU START.

Parts List

- | | |
|---------------------------------|---------------------------|
| 1 TABLE TOP - 1 pc. | 3 LEG POST - 1 pc. |
| 2 MOUNTING BOARD - 1 pc. | 4 LEG - 4 pcs. |



Fittings List

A  M6 x 40mm Bolt - 4 pcs <small>(fitting is fixed on the mounting board)</small>	B  Spring Washer x 16 pcs <small>4 pcs wire fitting is fixed on the mounting board)</small>	C  Flat Washer x 12 pcs	D  Nut - 12 pc
E  Footring - 4 pcs	F  Allen Key x 1 pc.	G  Spanner x 1 pc.	

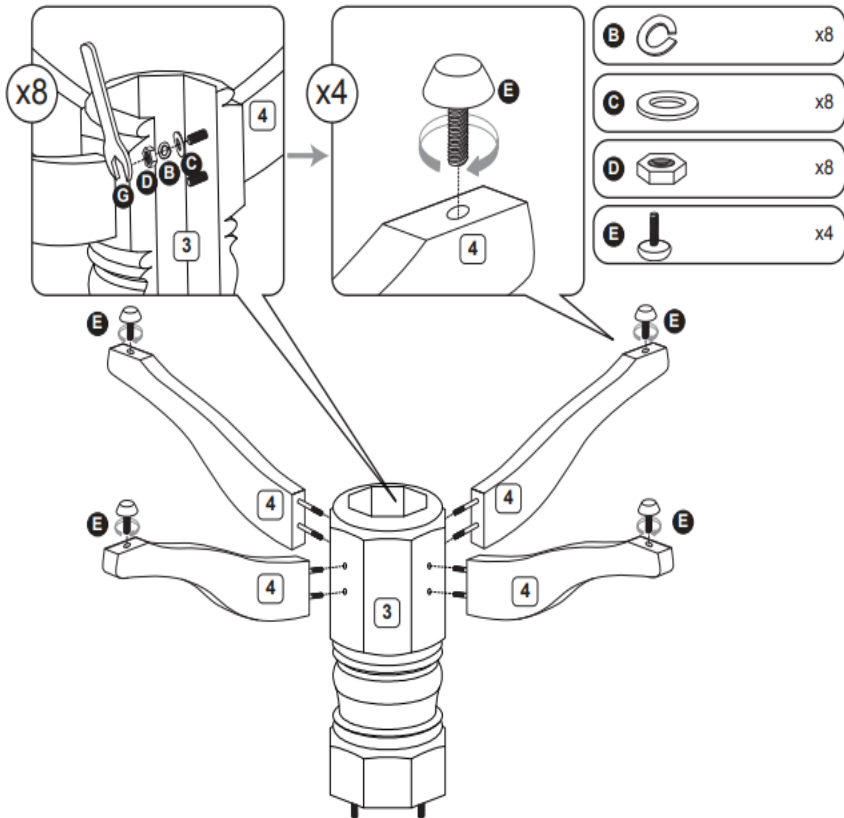
STEP 1

Use a clean, flat, soft surface to avoid any bumps or scratches.

Slot the pre attached bolts on 4 x pedestal legs [4] into the pre drilled holes on the pedestal [3].

Secure using 8 x flat washer [C], 8 x spring washer [B] and 8 x hex nut [D]. Tighten using hex wrench [G].

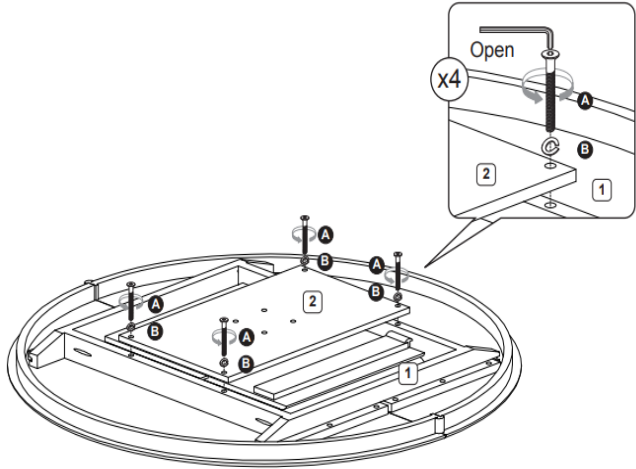
Insert 4 x height adjuster feet [E] into the pre drilled holes at the end of each pedestal leg [4]



STEP 2

Place the table top [1] upside down on a flat surface.

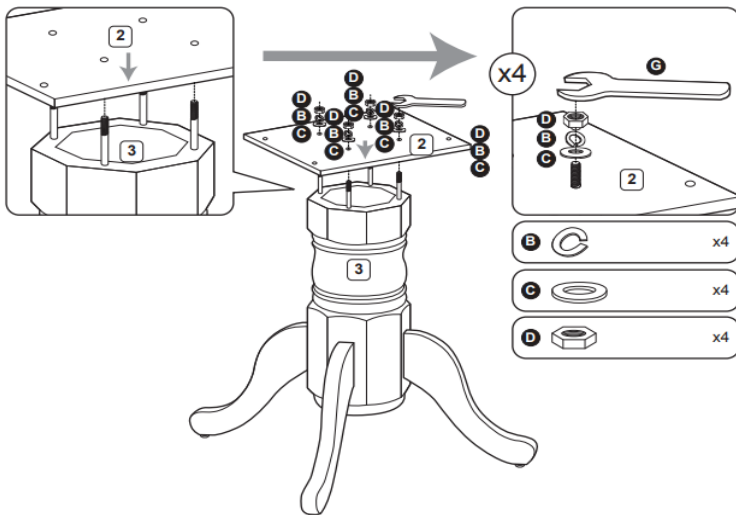
Remove the pre attached mounting board [2] using allen key [F] and un-doing 4 x bolt [A] and removing 4 x spring washer [B]



STEP 3

Carefully, and with help, flip the pedestal [3] onto the legs.

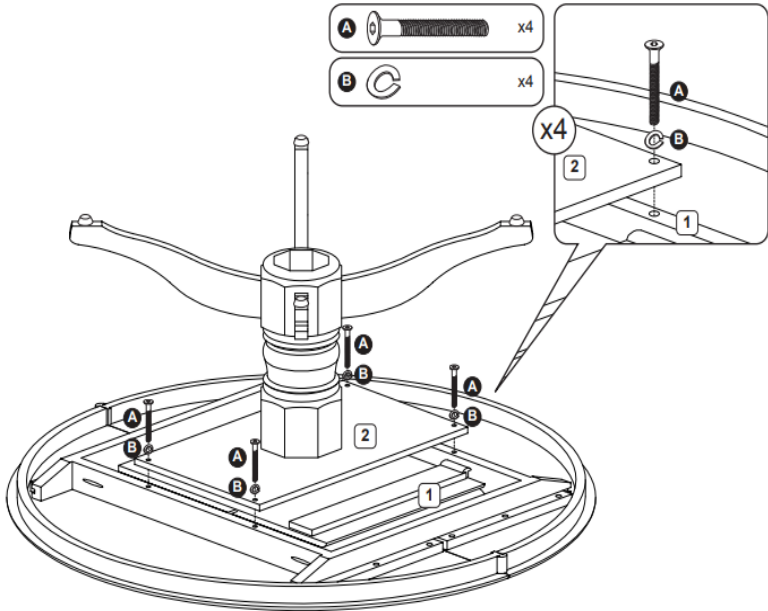
Align mounting board [2] onto the pre inserted rods on pedestal [3]. Secure using 4 x flat washer [C], 4 x spring washer [B] and 4 x nut [D]. Tighten using spanner [G].



STEP 4

Carefully, and with help, flip the table base upside down and re-align mounting board [2] onto the pre drilled holes on the table top [1].

Secure using 4 x spring washer [B] and 4 x bolt [A].
Tighten using allen key [F]



STEP 5

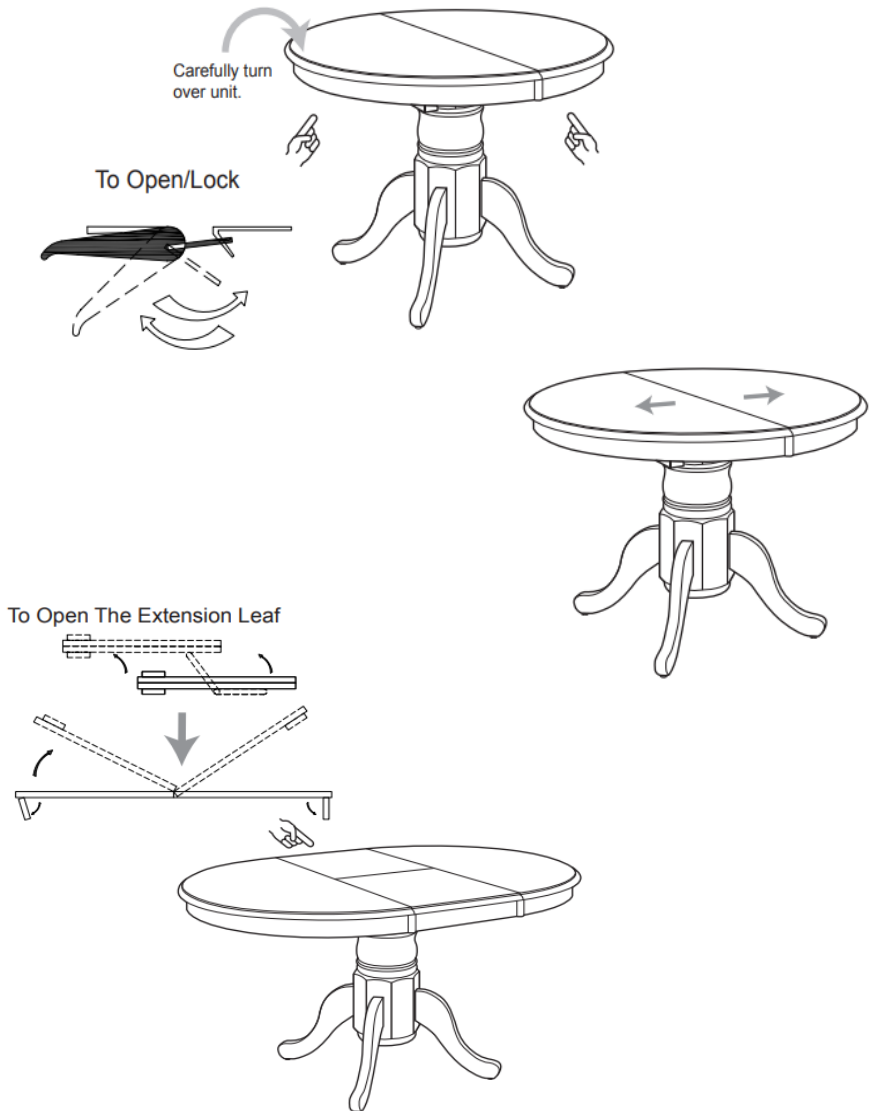
Carefully, and with help,
flip the table upright on
to the legs.
Check the stability.

Your Dining table is now
ready to use!





Extending the Table





OUR 2 YEAR GUARANTEE

our products come with a 2 year guarantee to give you peace of mind shopping at Furniturebox
some garden furniture items have a 1 year guarantee



WHAT THE GUARANTEE COVERS



PRE-INSERTED FIXINGS
e.g. loose metal threads



FAULTY JOINTS
e.g. legs bending



EXTERNAL FIXING FAULTS
e.g. metal discs removing from table top



STRUCTURAL INTEGRITY
e.g. the frame of the product



ACTIVATE YOUR GUARANTEE ONLINE

scan this QR code with your phone to read the full guarantee online and register your product. It only takes a moment to fill out. Or visit: furniturebox.co.uk/our-guarantee

Furniturebox UK, Unit 6 St Modwen's Park,
Chippenham, SN15 5BD
Tel: 01747 863333 Email: sales@furniturebox.co.uk