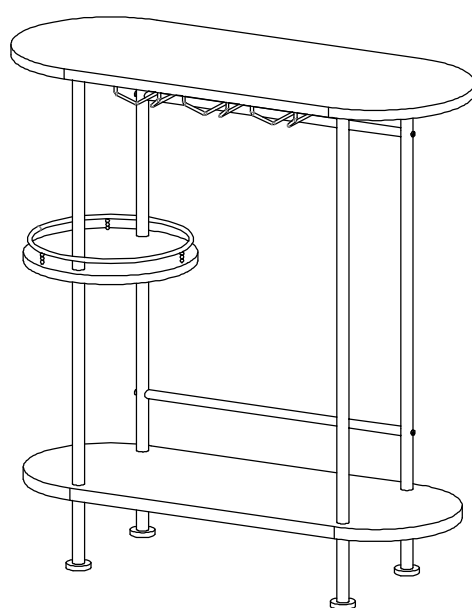


ASSEMBLY INSTRUCTIONS



BAR UNIT

ASSEMBLY INSTRUCTIONS

ASSEMBLY TIPS:

1. Remove hardware from box and sort by size.
2. Please check to see that all hardware and parts are present prior to start of assembly.
3. Please follow attached instructions in the same sequence as numbered to assure fast & easy assembly.



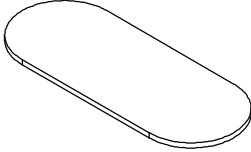
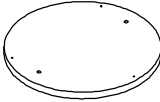
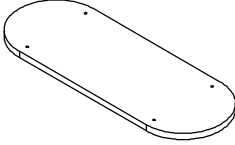
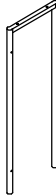
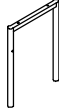
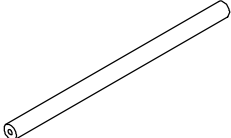
WARNING!

1. Don't attempt to repair or modify parts that are broken or defective. Please contact the store immediately.
2. This product is for home use only and not intended for commercial establishments.



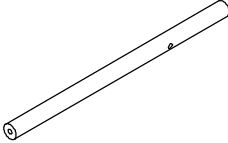
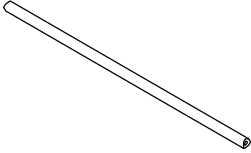
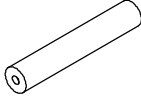
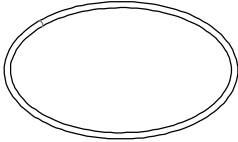
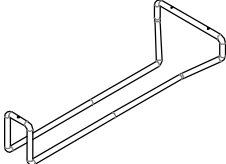
ASSEMBLY TIME 50 MINUTES

PARTS IDENTIFICATION

| | | | |
|---|----------------|---------------------------------------------------------------------------------------|-----|
| A | TOP PANEL |  | 1PC |
| B | SHELF PANEL |  | 1PC |
| C | BOTTOM PANEL |  | 1PC |
| D | LARGE FRAME |  | 1PC |
| E | SMALL FRAME |  | 1PC |
| F | LONG FRONT LEG |  | 1PC |










ASSEMBLY INSTRUCTIONS

PARTS IDENTIFICATION

| | | | |
|---|------------------|---------------------------------------------------------------------------------------|------|
| G | LONG BACK LEG |  | 1PC |
| H | SUPPORT CROSSBAR |  | 2PCS |
| I | SHORT LEG |  | 4PCS |
| J | ROUND FRAME |  | 1PC |
| K | GLASS HOLDER |  | 3PCS |

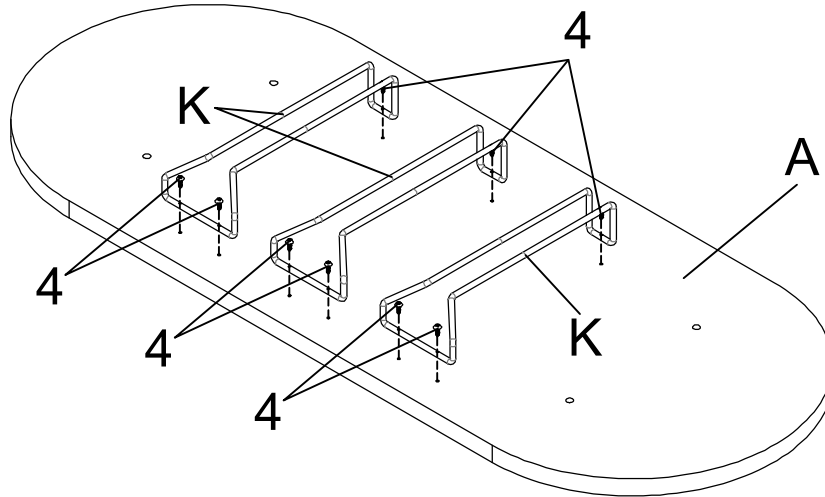
ASSEMBLY INSTRUCTIONS

HARDWARE IDENTIFICATION

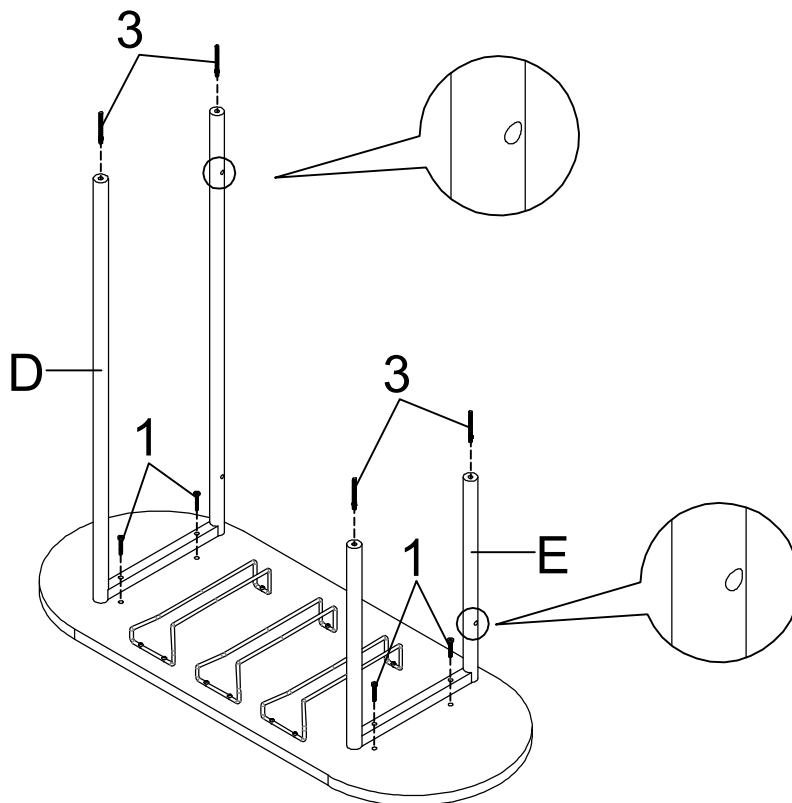
| | | | |
|---|-------------------------------------------|---------------------------------------------------------------------------------------|------|
| 1 | BOLT (1/4" x 32mm BLK) |  | 4PCS |
| 2 | LONG BOLT (1/4" x 45mm BLK) |  | 4PCS |
| 3 | CROSSBAR BOLT (1/4" x 57mm) |  | 6PCS |
| 4 | GLASS HOLDER SCREW (7# x 15mm) |  | 9PCS |
| 5 | ROUND FRAME BOLT (3/16" x 50mm) |  | 3PCS |
| 6 | PLASTIC SPACER (ϕ 12 x 30mm BLK) |  | 3PCS |
| 7 | LEVELER (1/4" x 25mm BLK) |  | 4PCS |
| 8 | WASHER (ϕ 32mm) |  | 4PCS |
| 9 | ALLEN WRENCH (4mm) |  | 1PC |

ASSEMBLY INSTRUCTIONS

STEP 1 Do not tighten until each step is completed or instructed.

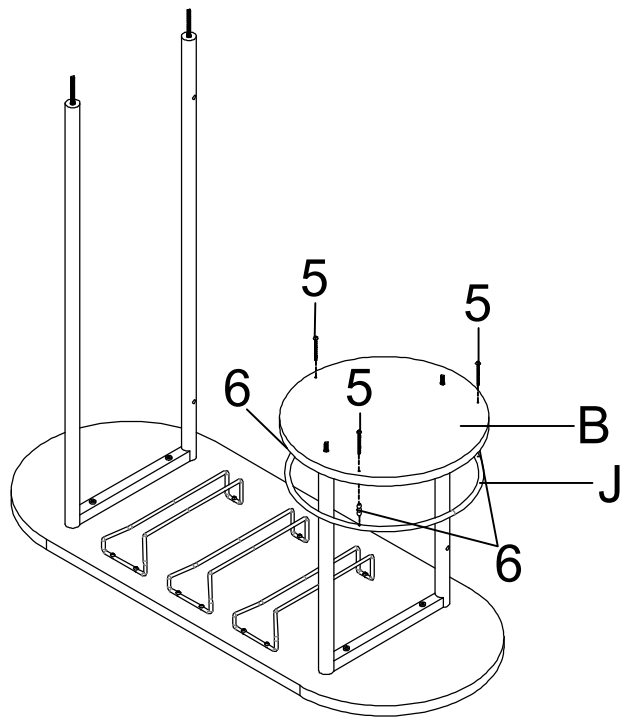


STEP 2

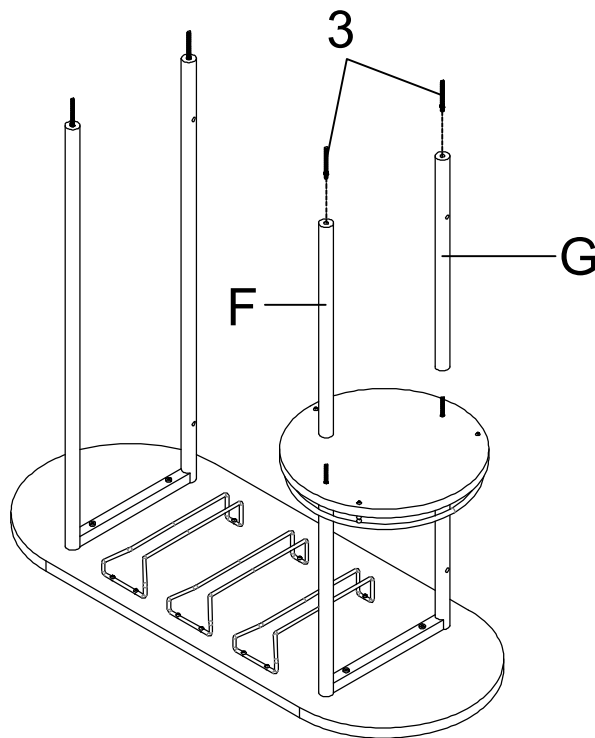


ASSEMBLY INSTRUCTIONS

STEP 3

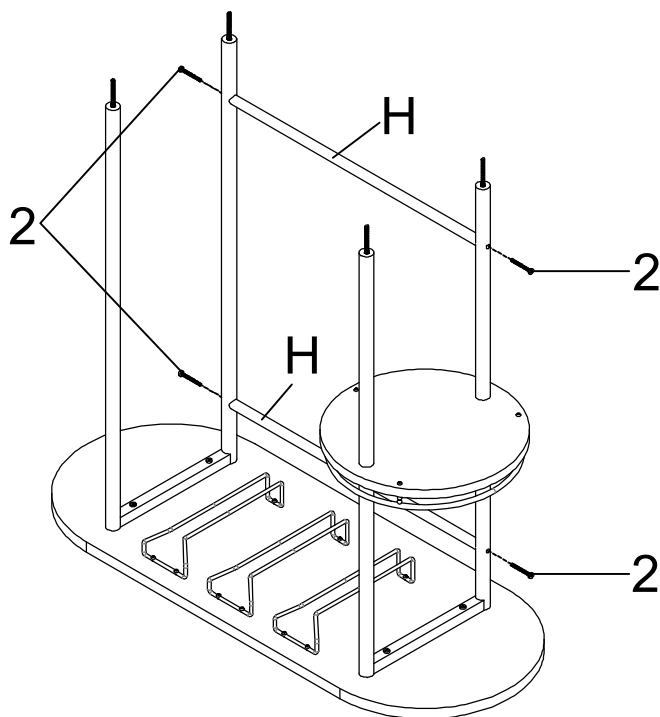


STEP 4

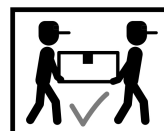
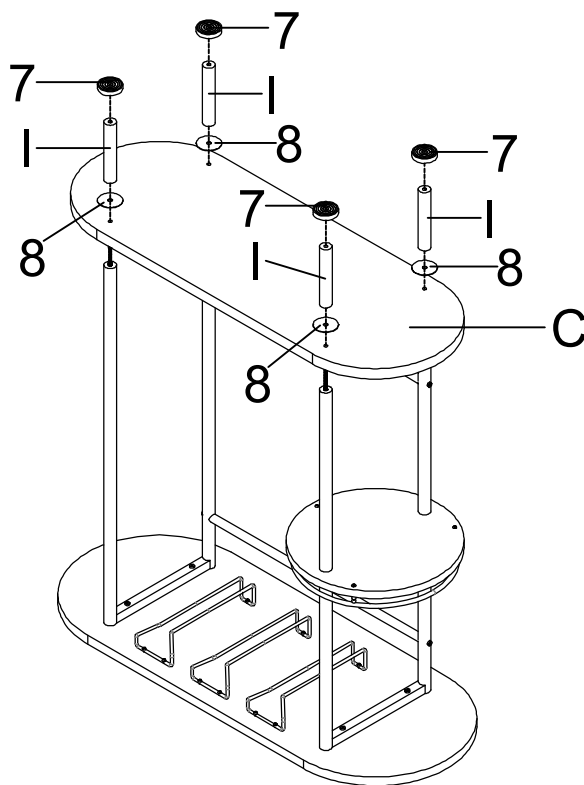


ASSEMBLY INSTRUCTIONS

STEP 5



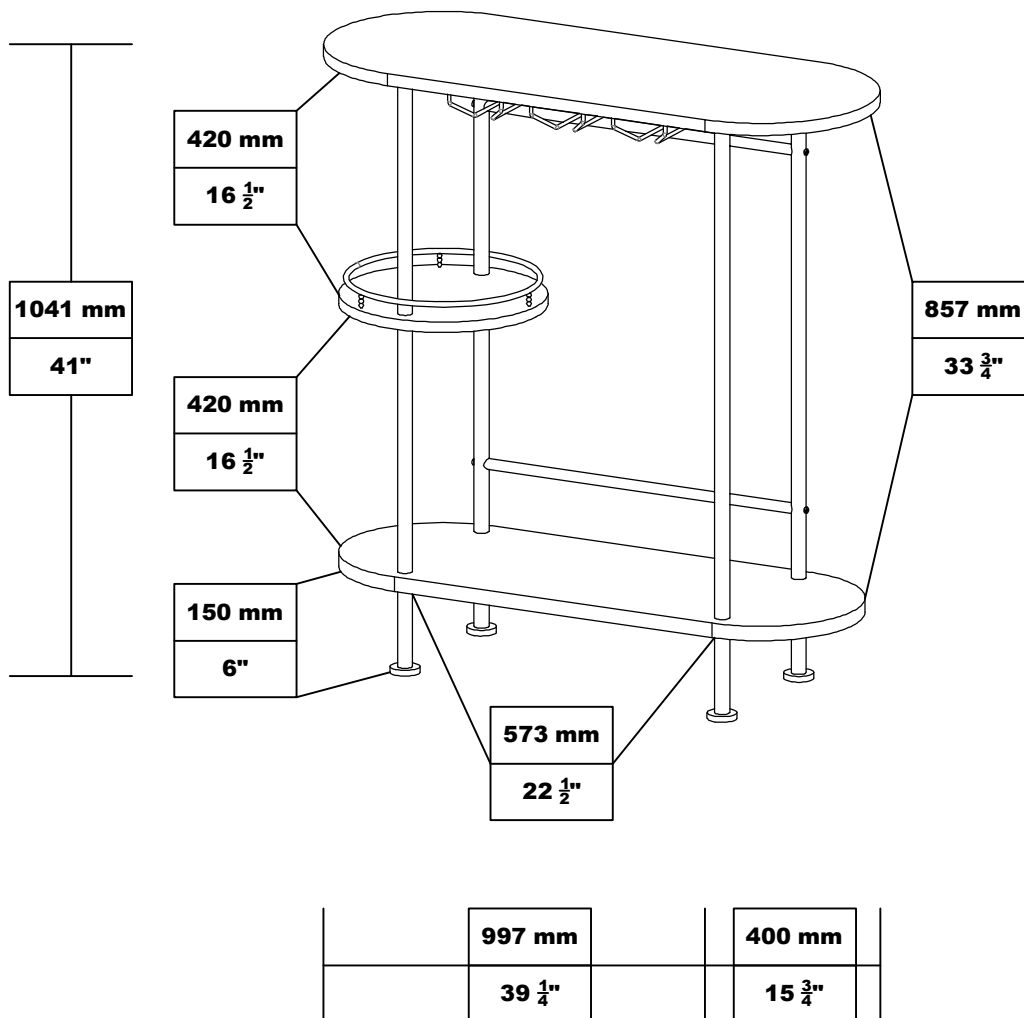
STEP 6



ASSEMBLY INSTRUCTIONS

Product Size : 997 X 400 X 1041 H (MM)

Product Size : 39 $\frac{1}{4}$ " X 15 $\frac{3}{4}$ " X 41"



Note : Dimension tolerance $\pm 5\%$