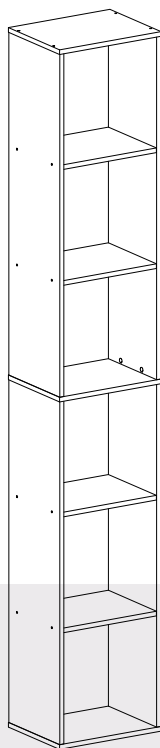


MANUAL INSTRUCTION

6-Tier Bookshelf



6-Tier Bookshelf H14027

We offer a diverse range of products to meet the needs of customers.

Indoor Furniture

We are a professional furniture provider with top-notch factories and outstanding designs, Our mission is to provide consumers with new lifestyles. By collecting consumer feedback, we constantly improve our products and create more choices for consumers. If you want to create your space, We are an ideal choice.

Always.



WARNING

All the Bookshelves have passed strict quality inspections before delivery . Read this manual carefully to ensure proper usage

Ensure that all parts and hardware are available before beginning assembly

NOTICE

1. Children are not allowed to operate.
2. Faster installation is possible with power tools.
3. Do not pull the door vigorously to prevent the storage cabinet from tipping over.
4. Please attach the storage cabinet to the wall with an anti-tip device after installation is complete.
5. When using the storage cabinet for the first time, please keep it in a ventilated environment to allow the smell to fully evaporate.
6. When placing the partitions, please make sure the nails are firmly installed to prevent the partitions from falling off.
7. If any parts are missing, broken, damaged or worn, discontinue use of the product until repairs are made and/or factory replacement parts are installed.
8. Do not use this product in a manner inconsistent with the manufacturer's instructions, as this may void the product warranty.
9. If accessories are missing, please contact customer service for communication in time, we provide 7x24 hours customer care.
10. Do not use any attachments or accessories other than the original factory attachments and accessories.
11. Do not alter this equipment. Any alteration will create a safety hazard.

WARNING

The product must be assembled by adult before use. Serious or fatal injury may occur from unexpected assembly or use.

1. During the assembly process, keep all parts away from babies or children.
2. Always securely fix this product to the wall. Make sure the wall area to be drilled is free from hidden electrical wires, water and gas pipes.
3. Use of tip-over restraints may only reduce, but not eliminate the risk of tip-over.
4. Unless specially designed to accommodate, do not set heavy objects on top of this product.
5. Place the heaviest items on the lowest shelf.
6. Never allow children to climb or bang on drawers, doors or shelves.

TOOLS REQUIRED



Phillips Screwdriver



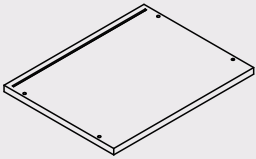
2 Persons Assembly



Up to 30 Minutes For Assembly

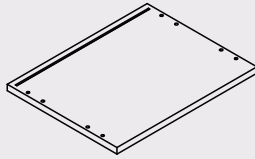
PARTS

①



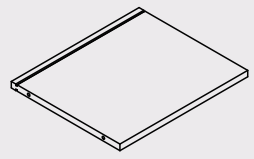
2 PCS

②



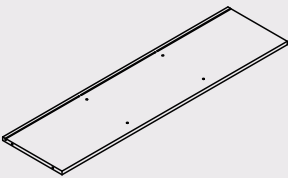
1 PC

③



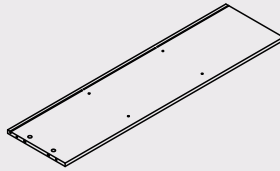
4 PCS

④



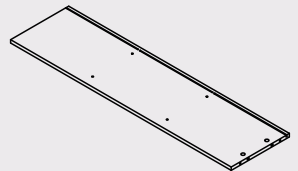
2 PCS

⑤



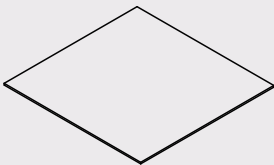
1 PC

⑥



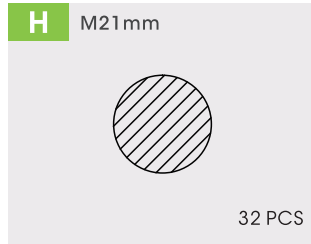
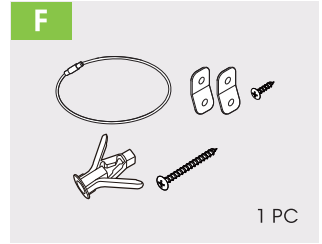
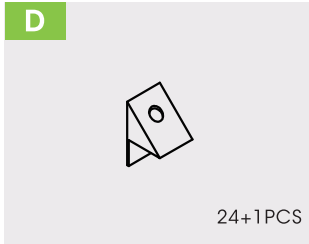
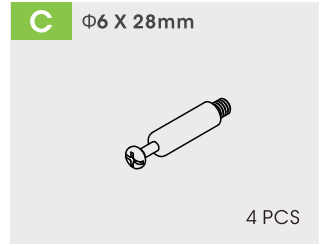
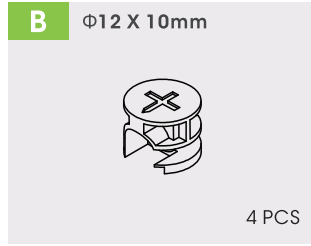
1 PC

⑦



6 PCS

HARDWARE



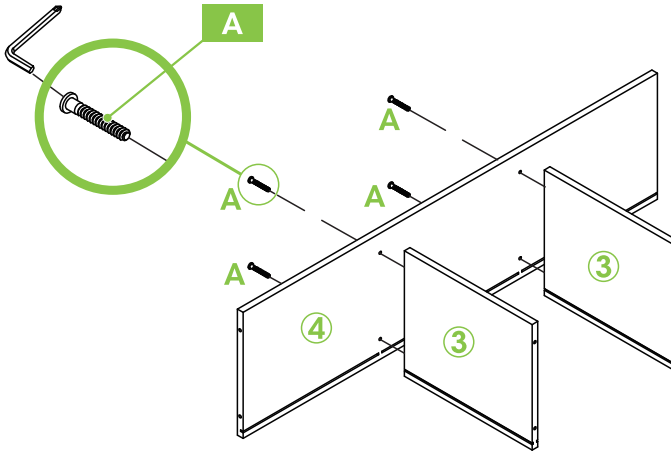
WARNING

Children have died from furniture tipover. To reduce the risk of furniture tipover:

- ALWAYS install tipover restraint provided.
- NEVER put a TV on this product.
- NEVER allow children to stand, climb or hang on drawers, doors, or shelves.
- NEVER open more than one drawer at a time.
- Place heaviest items in the lowest drawer.

PRODUCT ASSEMBLY

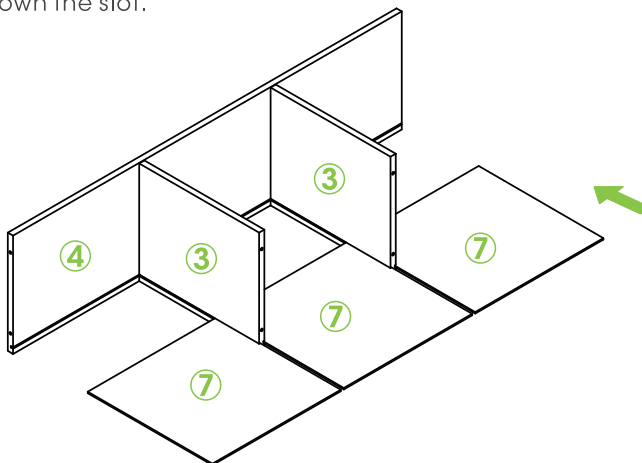
- 1 Connect 2 pieces of part 3 to part 4 with 4 screw A and turn the screws clockwise.



PART	NO.	QTY.
	A	4

Note: The slots for part 3 and part 4 are on the same side.

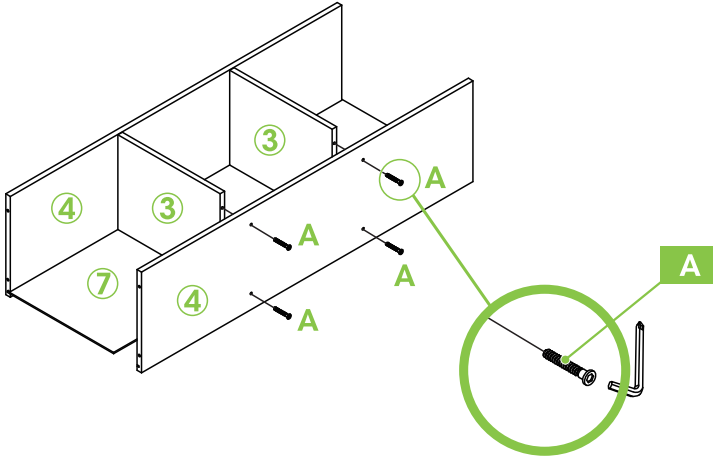
- 2 Push 7 down the slot.



Note: Part 7 must be inserted into the slot of part 4.

PRODUCT ASSEMBLY

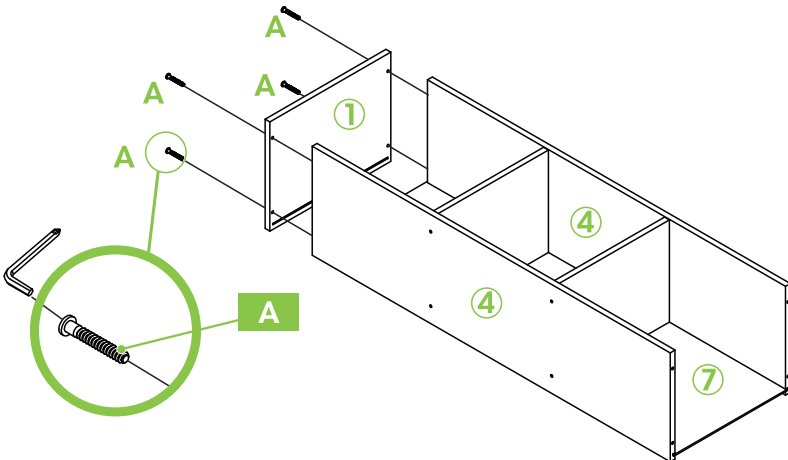
3 Connect part 4 to part 3 with 4 screw A and turn the screws clockwise.



PART	NO.	QTY.
	A	4

Note: Part 7 must be inserted into the slot of part 4.

4 Connect part 1 to part 4 with 4 screw A and turn the screws clockwise.

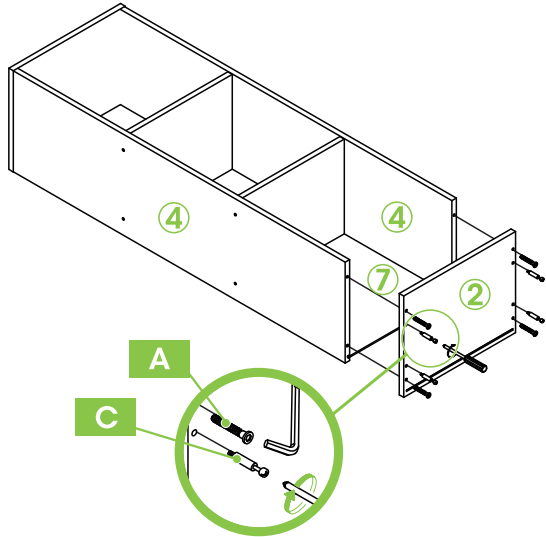




PART	NO.	QTY.
	A	4

Note: Part 7 must be inserted into the slot of part 1.

PRODUCT ASSEMBLY

- 5** 1. Connect Part 2 to Part 4 with 4 screw A and turn the screws clockwise.
2. Insert the 4 pieces of part C into part 2 and turn the screws clockwise.



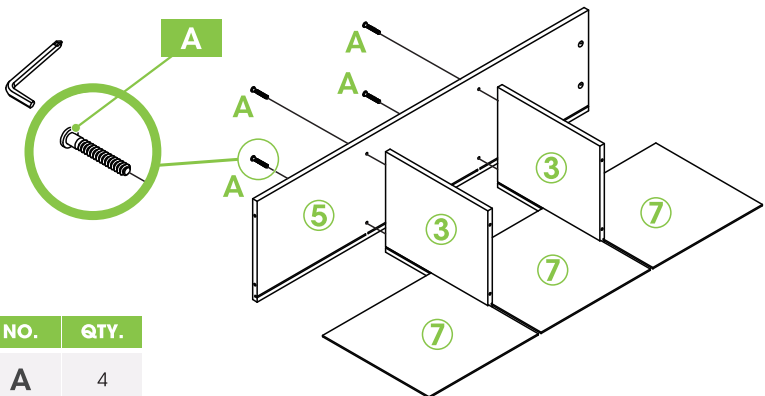
PART	NO.	QTY.
	A	4
	C	4

Note: Part 7 must be inserted into the slot of part 1.

- 6** 1. Connect 2 pieces of Part 3 to part 5 with 4 screw A and turn the screws clockwise.
2. Push 7 down the slot.

Note: The slots for parts 3 and part 5 are on the same side.

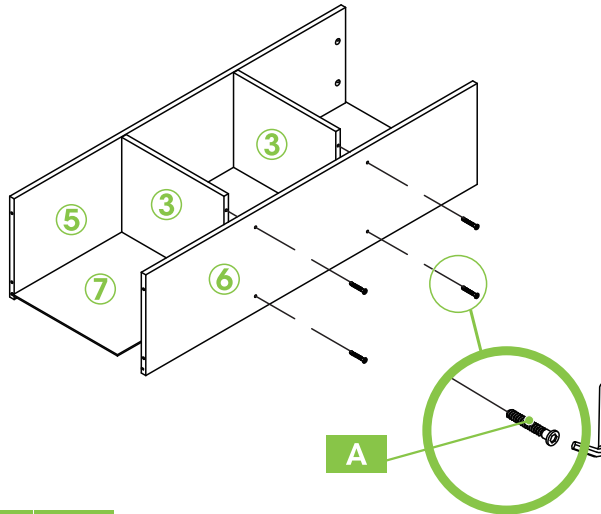
Note: Part 7 must be inserted into the slot of part 4.



PART	NO.	QTY.
	A	4

PRODUCT ASSEMBLY

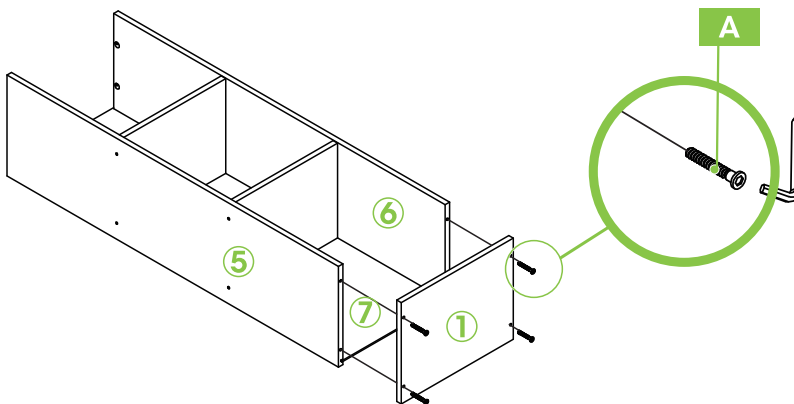
7 Connect part 6 to part 3 with 4 screw A and turn the screws clockwise.




PART	NO.	QTY.
	A	4

Note: Part 7 must be inserted into the slot of part 6.

8 Connect part 4 to part 3 and part 6 with 4 screw A and turn the screws clockwise.

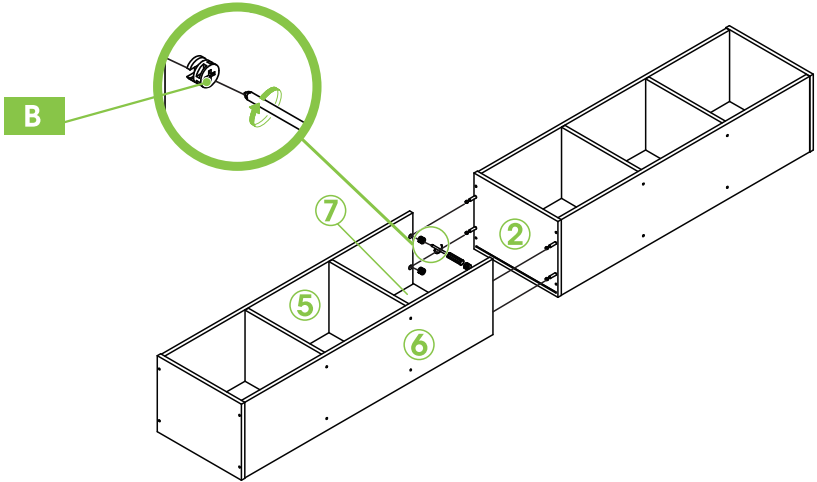



PART	NO.	QTY.
	A	4

Note: Part 7 must be inserted into the slot of part 1.

PRODUCT ASSEMBLY

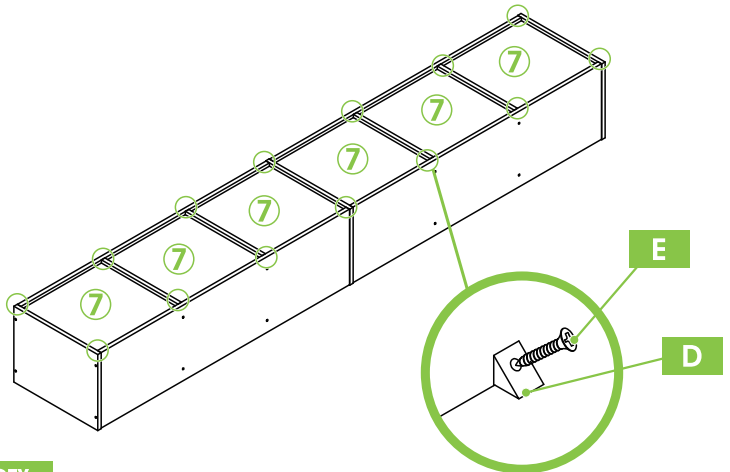
9 Connect the assembled two parts with 4 screw B and turn the screws clockwise.





PART	NO.	QTY.
	B	4

Note: Part 7 must be inserted into the slot of part 2.

10 Insert D into the slot in the corner and lock it with screw E. Turn the screw clockwise.

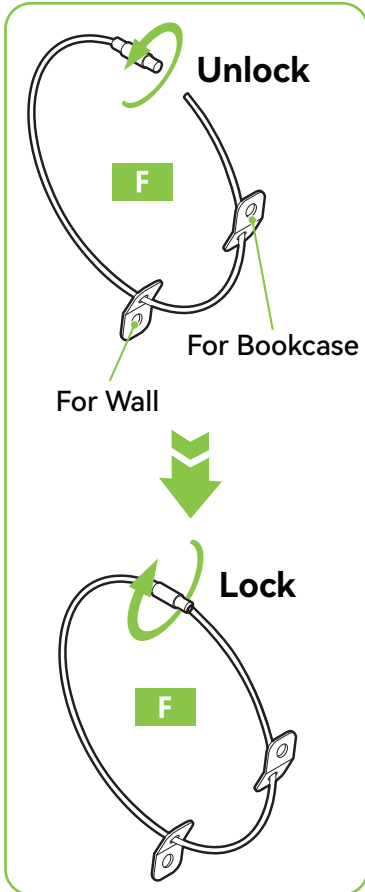


PART	NO.	QTY.
	E	24
	D	24

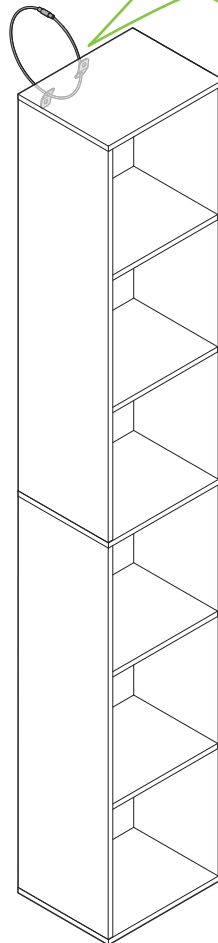
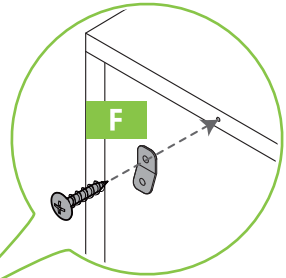
Note: Part H can be used to stick the exposed hardware position.

PRODUCT ASSEMBLY

11



Drill a hole for installing anti-tip kit.

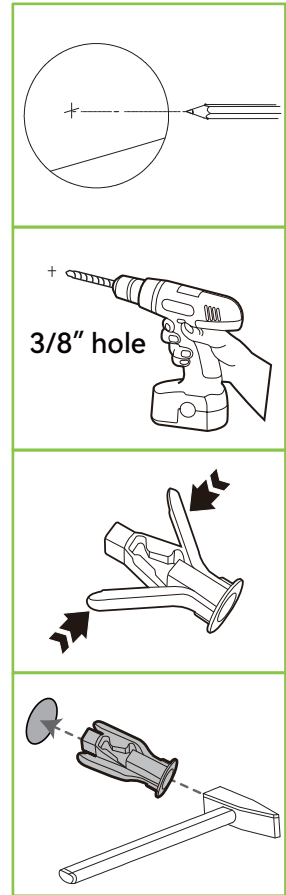
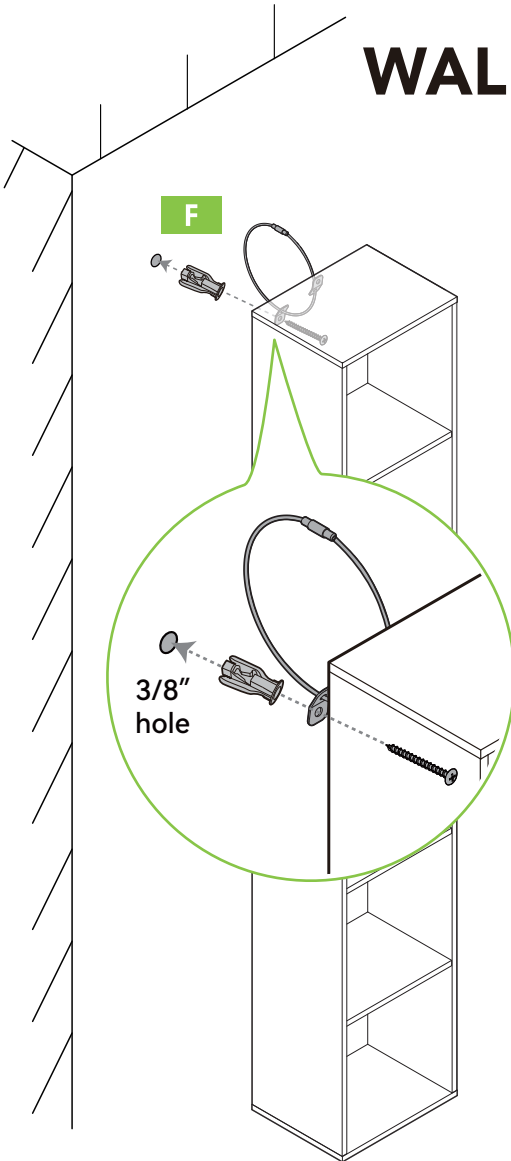


PART	NO.	QTY.
	F	1

PRODUCT ASSEMBLY

12

WALL



PART	NO.	QTY.
	F	1