

ZBA SERIES

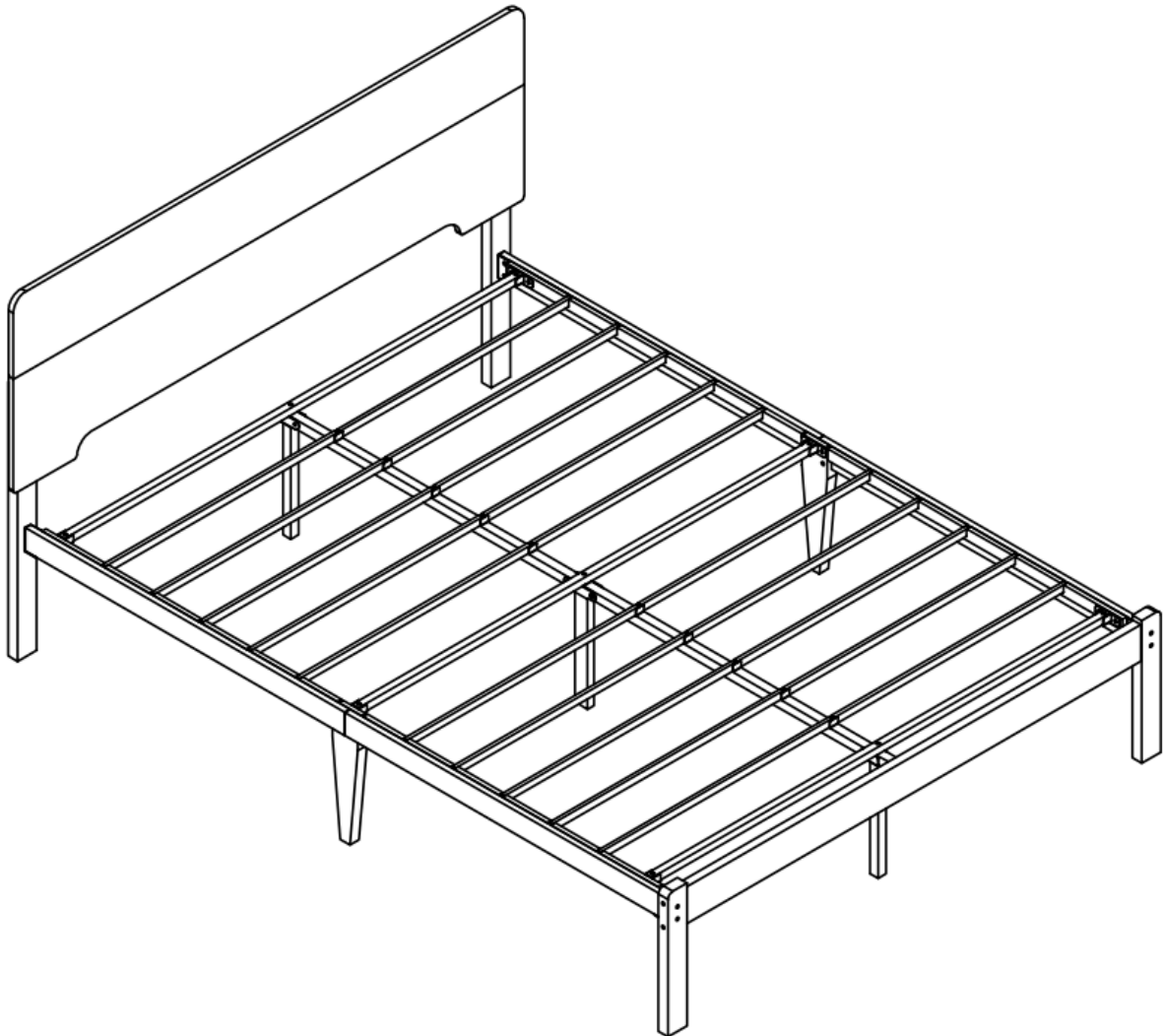
ASSEMBLY & INSTRUCTION

SIZE: Queen

Notice: This instruction manual applies to Queen size.

DO NOT RETURN DIRECTLY!

If any parts are missing or damaged, we will gladly ship replacements free of charge.



Weight Limit: 1000 Lb / 454 Kg

PLEASE READ BEFORE ASSEMBLY

****Warranty Information****

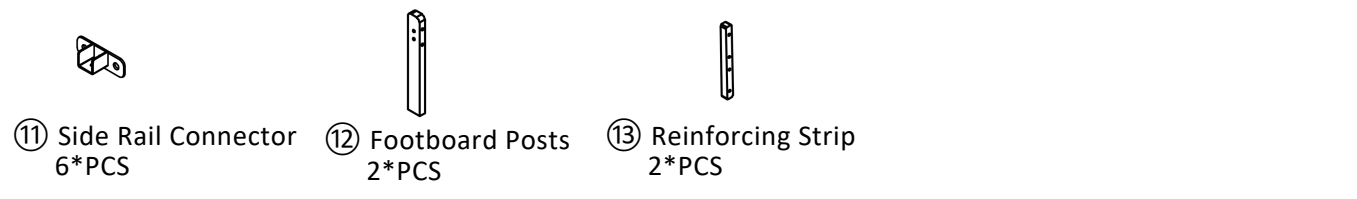
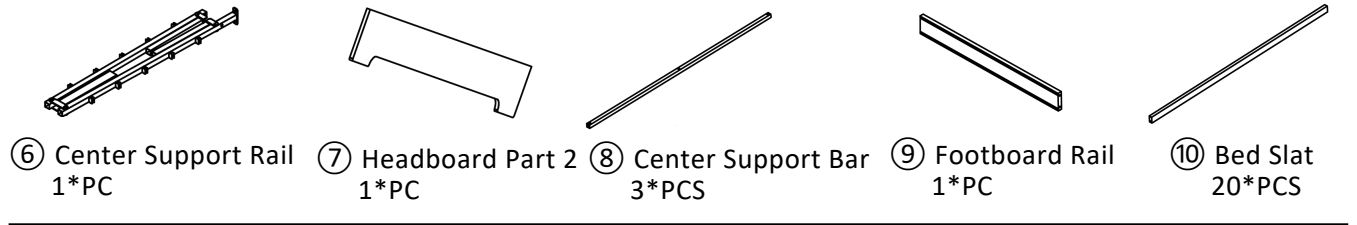
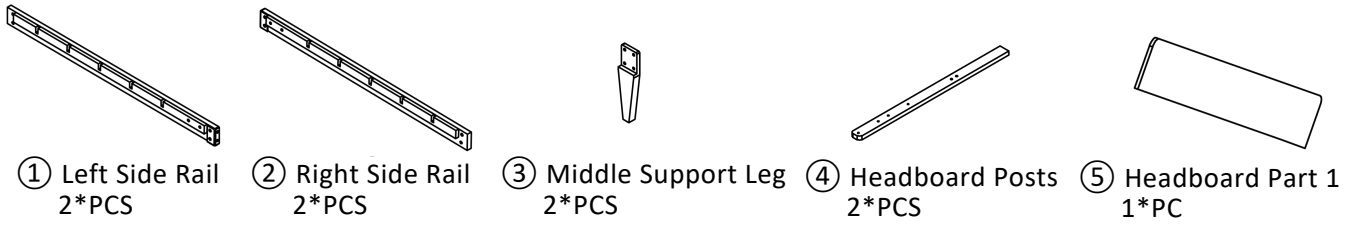
1. We warrant this product to be free from defects in materials and workmanship for three years from the date of original purchase. Proof of purchase is required for all warranty claims.
2. This warranty covers the repair or replacement of defective parts only; assembly labor is not included.
3. This warranty does not apply to product that has been improperly assembled, subjected to misuse or abuse, or altered or repaired in any way. Liability for consequential damages is excluded to the extent permitted by law.

****Read Before Beginning Assembly****

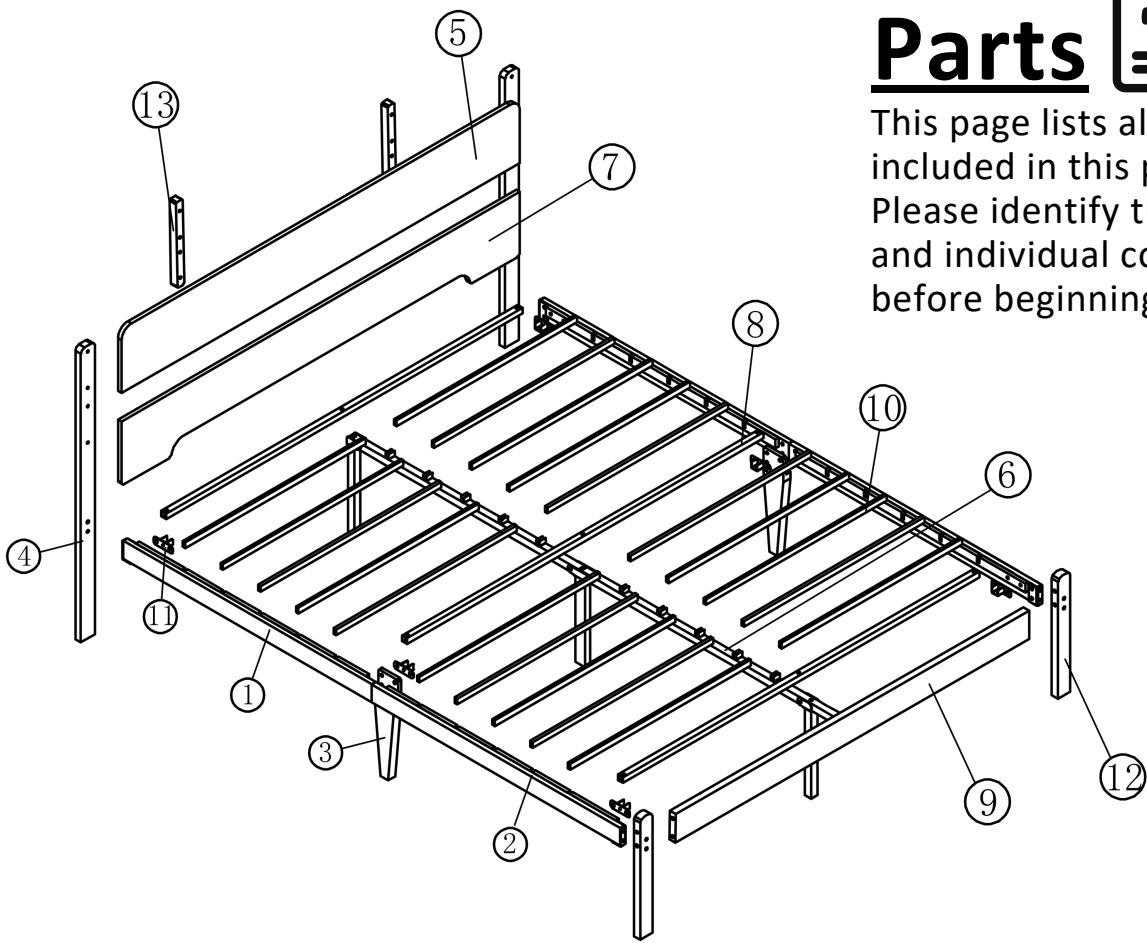
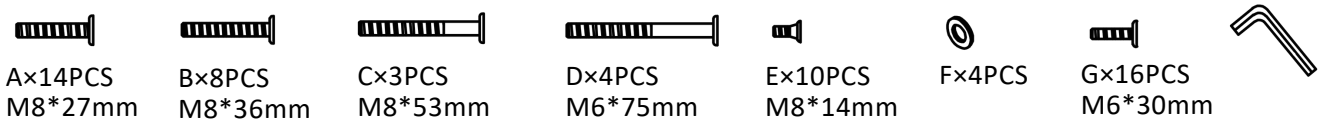
1. Clear the area: Assemble in a spacious area near the product's final location, preferably on a carpet or protected surface (like the product's cardboard packaging) to safeguard both your floor and the product.
2. Recommended Assembly Team: It is recommended that at least two people assemble this product. Having an extra hand can make the process easier. Estimated assembly time is 1 hour.
3. Check for all parts: Most parts are labeled or stamped on the raw edge. Ensure all parts are included before starting.
4. Read each step carefully: Follow the assembly steps in the correct order. Skipping steps or changing the sequence can lead to difficulties.

****Caution****

1. **Bamboo Node Color** - Due to the natural characteristics of bamboo, variations in grain depth are normal.
2. **Power tools not recommended** - Power tools can strip or damage parts and void the warranty.
3. **Important** - Do not fully tighten any bolts until the entire unit is assembled. This will allow for proper alignment and adjustment during the assembly process.



Hardware Kit



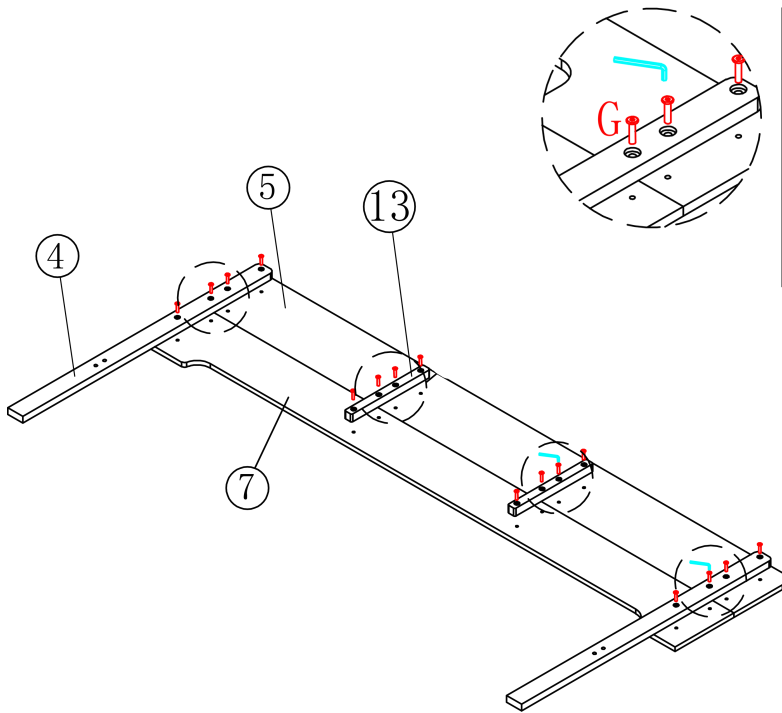
Parts



This page lists all the items included in this package. Please identify the hardware and individual components before beginning assembly.

Step 1

Connect the Headboard



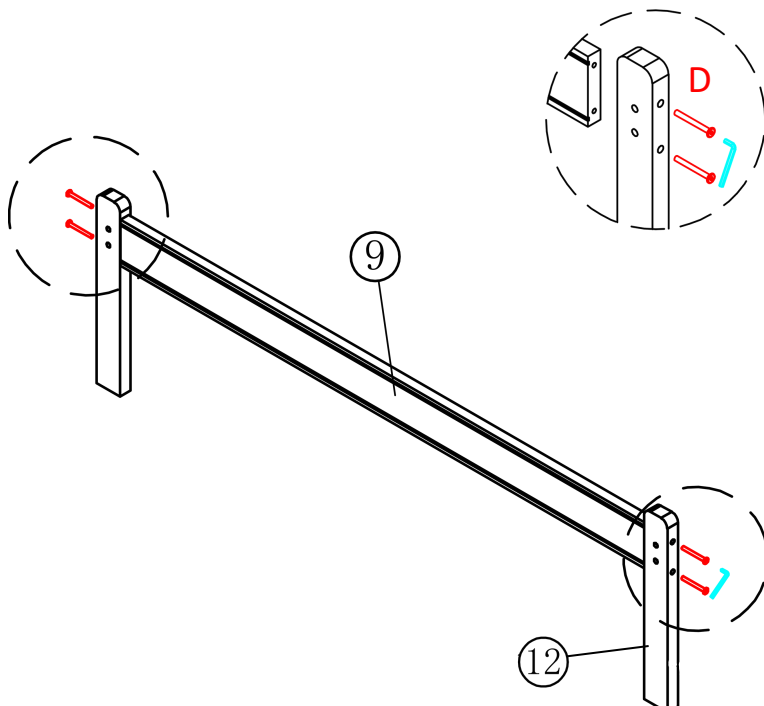
- Place headboard Part 1 (5) and headboard Part 2 (7) close together.
- Attach headboard Part 1 (5) and headboard Part 2 (7) to the headboard posts (4) using eight bolts (G).
- Attach strip (13) to the part (5) and part (7) using eight bolts (G).



G×16PCS
M6*30mm

Step 2

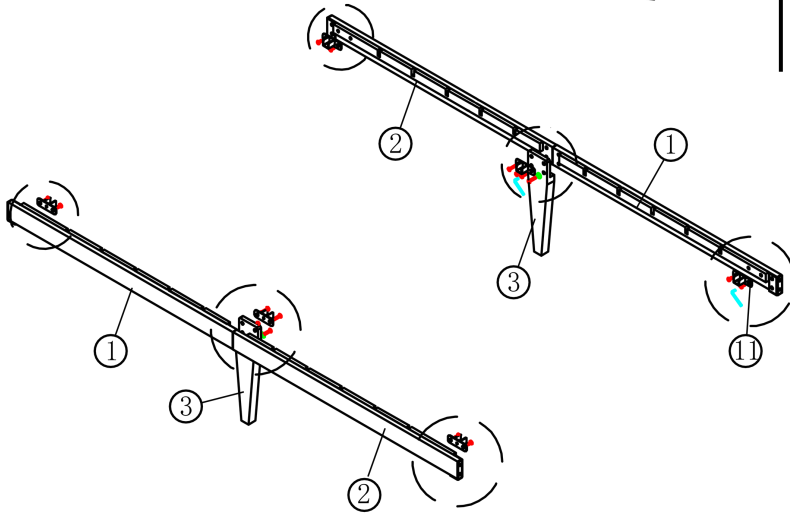
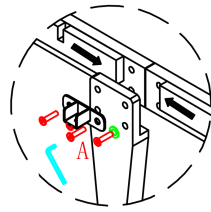
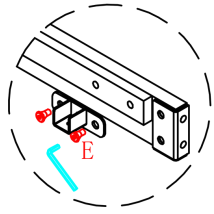
Footboard Assembly



- Position the footboard rail (9) between the two footboard posts (12).
- Insert the four bolts (D) through the pre-drilled holes.
- Hand-tighten all bolts first to ensure proper alignment.
- Once aligned, fully tighten all bolts with appropriate tools.



D×4PCS
M6*75mm



A×8PCS
M8*27mm



E×8PCS
M8*14mm

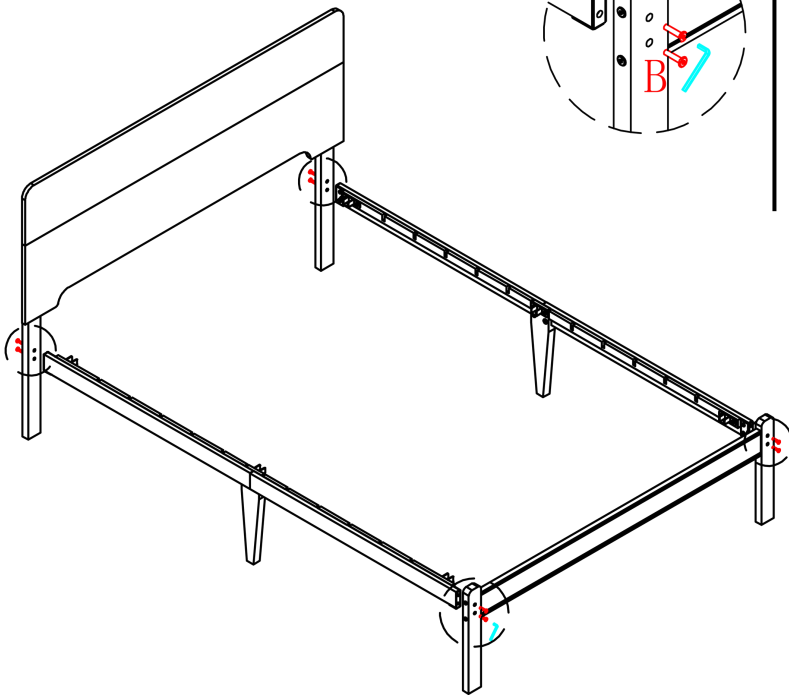
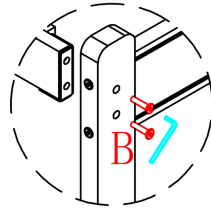


F×4PCS

Step 3

Assembly of Side Rails

- Connect the left side rail ①, right side rail ② and middle support leg ③ using connectors ⑪ and eight bolts (A) and four gaskets (E). The gasket should be installed to the bottom holes.
- Secure the connector at each end of the side rail assembly to the bed frame using eight bolts (E).

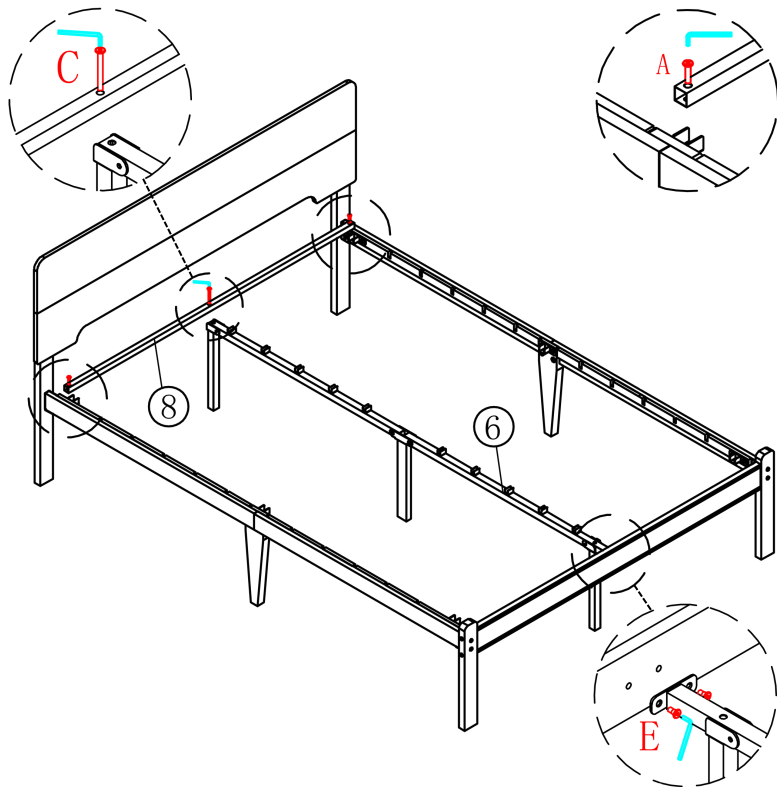



B×8PCS
M8*36mm

Step 4


Assembling the Bed Frame

- Align the mounting brackets on the side rails with the corresponding holes on both the headboard and footboard.
- Once all bolts are in place, use the provided Allen wrench to fully tighten eight bolts (B).



 A×2PCS
M8*27mm

 C×1PC
M8*53mm

 E×2PCS
M8*14mm

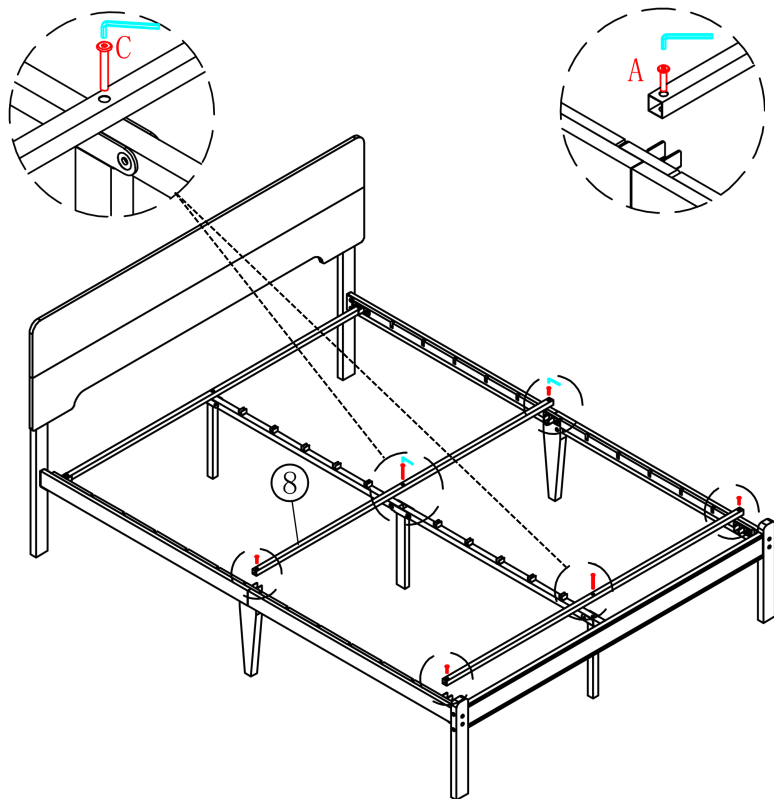



Note: Ensure all connections are properly aligned before final tightening. This step is crucial for the bed's stability.

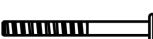
Step 5

Installing the Center Support Bar

- Attach the center support rail (6) to both ends of the bed frame using two bolts (E).
- Position the center support bar (8) onto the center pole using one bolt (C).
- Secure the center support bar using the connector and two bolts (A).



 A×4PCS
M8*27mm

 C×2PCS
M8*53mm

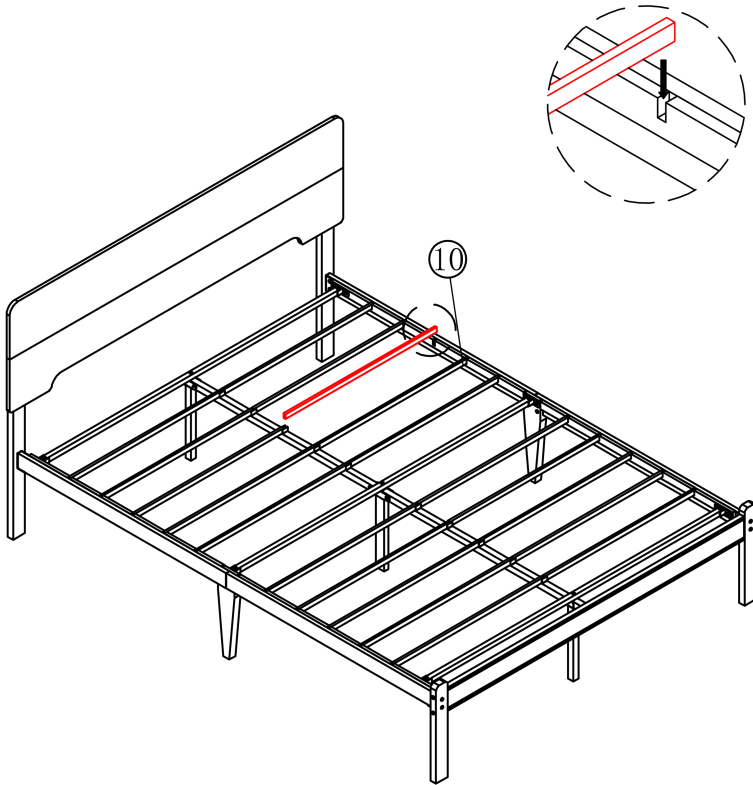


Note: Before completing assembly, double-check that all screws and components are fully tightened.

Step 6

Installing the Center Support Bar

- Locate the two remaining center support bars .
- Attach these bars to the center pole using two bolts (C).
- Secure all connections. Use four bolt (A) to fasten the center support bars.



Step 7

Installing the Bed Slat

- Place all bed slats ⑩ across the side rails.



Note: Before completing assembly, double-check that all screws and components are fully tightened.

IMPORTANT INFORMATION

****REPLACEMENT PART OR HARDWARE REQUEST****

- ★ Request a replacement by logging into the marketplace account in which the purchase was made and sending a message to the seller. To expedite the request, attach applicable images relevant to the request and/or include the part number and quantity.

****Warnings****

1. Age Restriction: The bed is not designed for children under 4 years old.
2. For your safety: Jumping, rough play, or other vigorous activities on the bed are not recommended as they may cause injury or damage to the bed frame.
3. Weight Limit: The maximum combined weight on the bed should not exceed 1000 lbs. This includes the weight of the bed itself, mattresses, bedding, and people.
4. Do not drag or push the bed frame: Always use two people to lift and reposition the bedframe to avoid damage to the frame or the floor.

****Cleaning & Care****

1. Cleaning Method: Use a dry or slightly damp soft cloth for cleaning. Avoid abrasive cleaners, which can damage the finish.
2. Hardware Maintenance: Over time, hardware can loosen. Regularly check and tighten all connections to maintain the bed's stability and prevent damage.

Please keep these instructions for future reference!