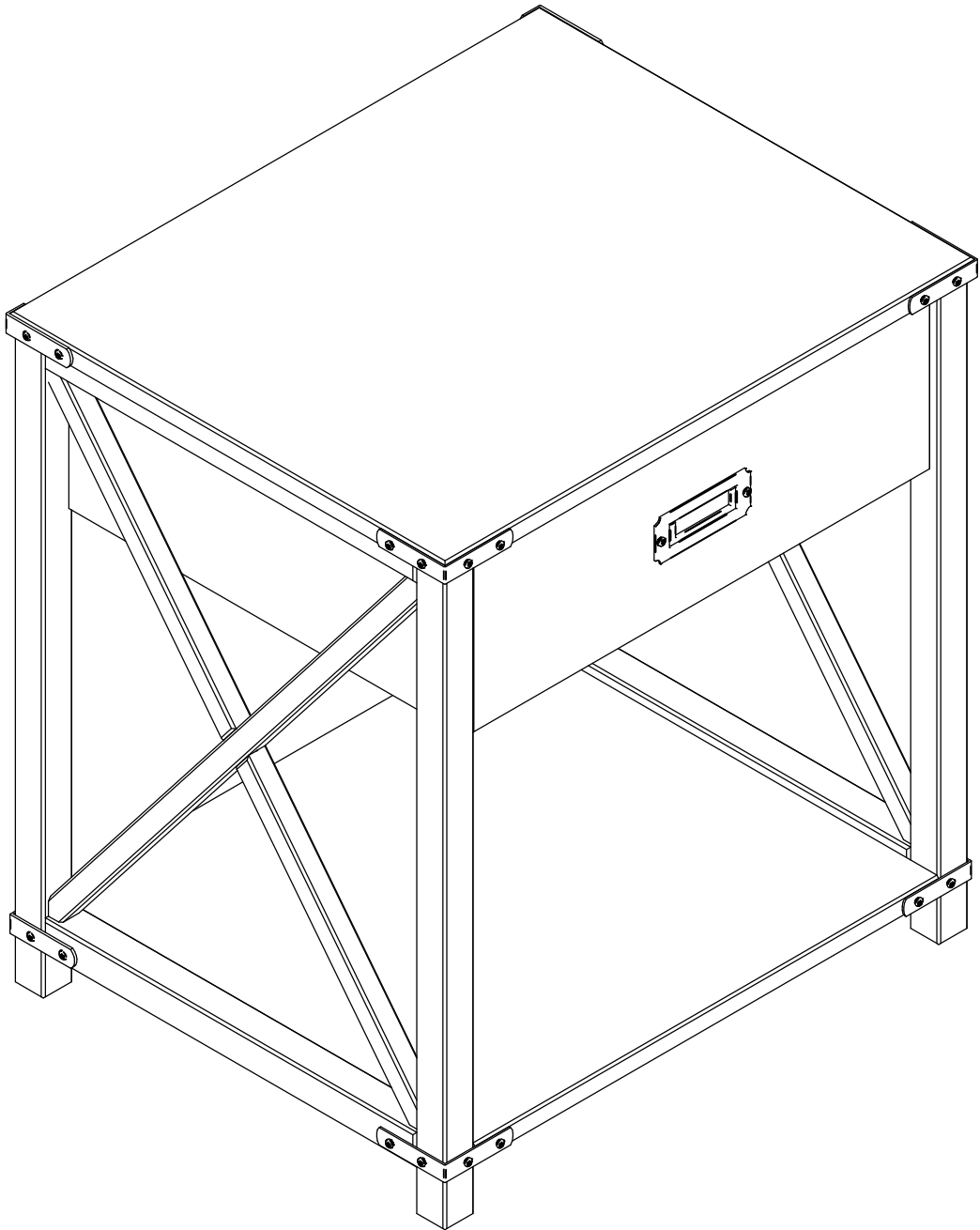
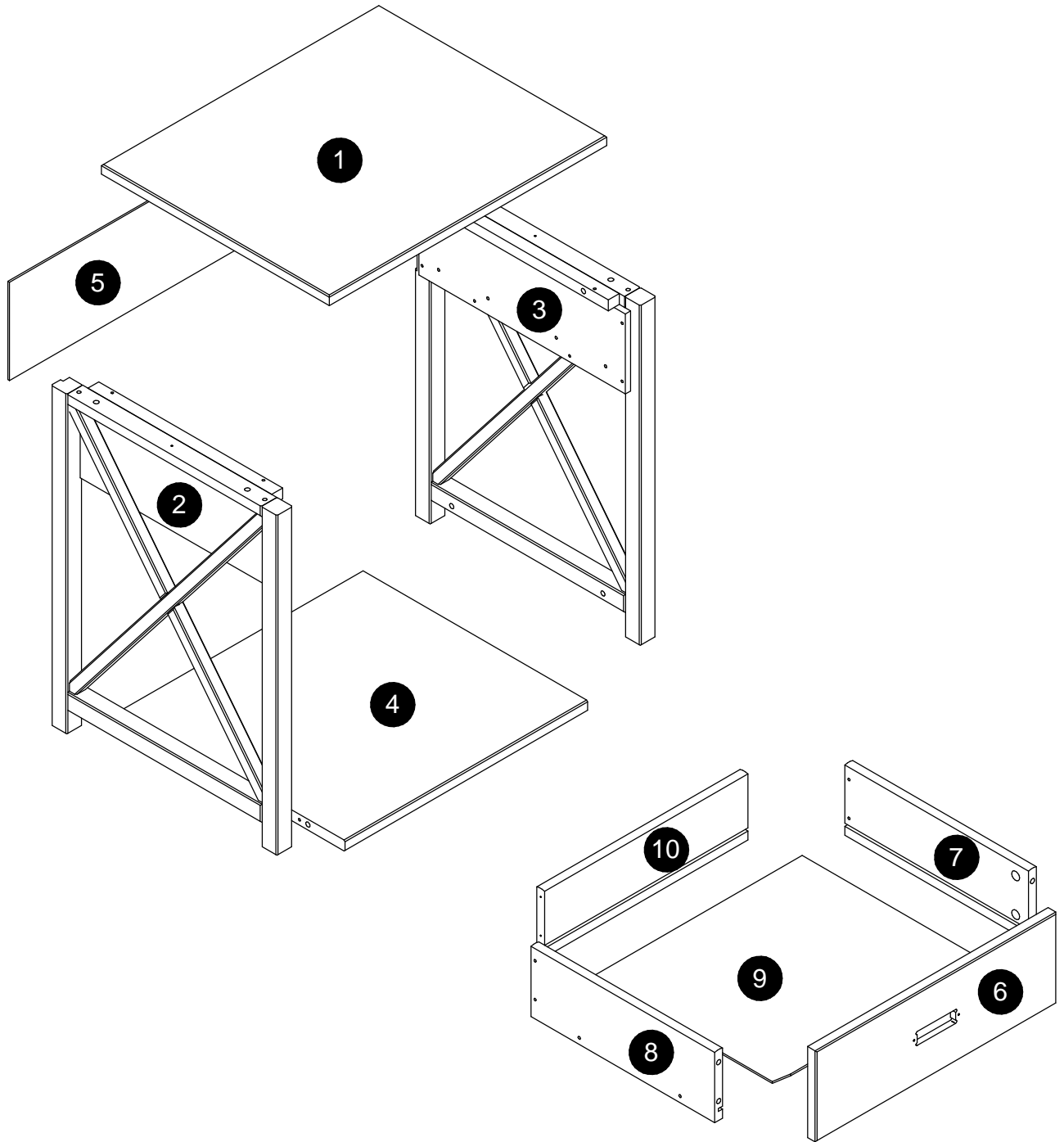
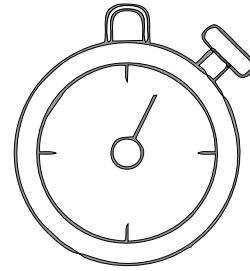
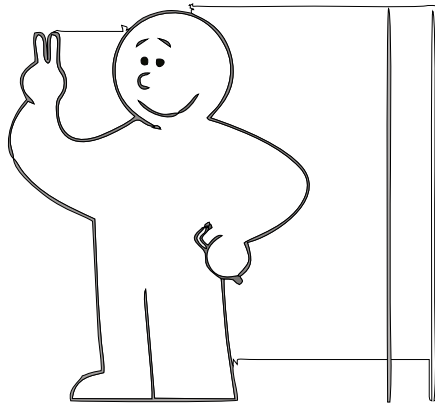
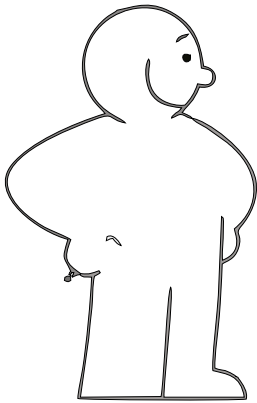


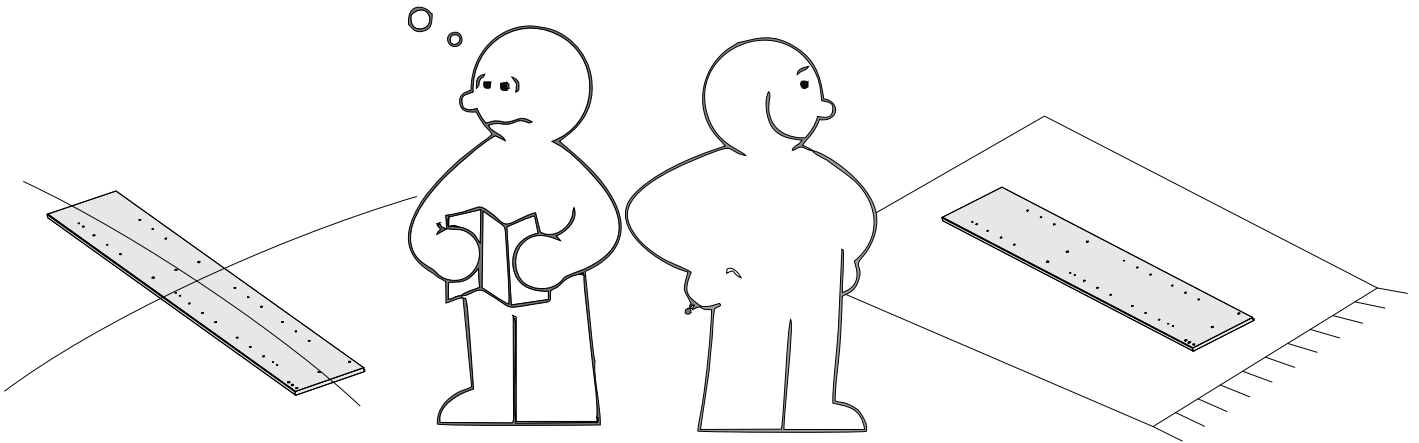
# CAMPAIGN SIDE TABLE



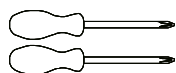
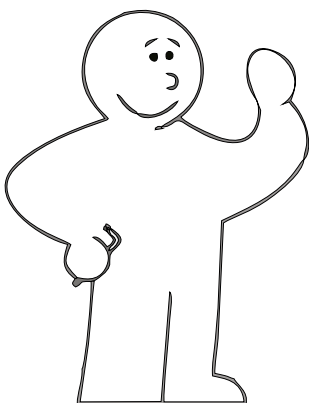




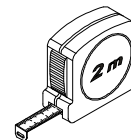
**20 Min**



### Tools required



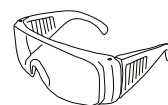
**Phillips screwdriver  
(medium & large)**



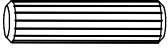




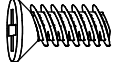

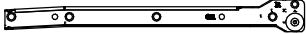
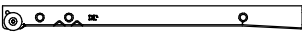
**Ruler/tape  
measure**

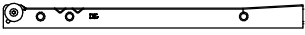

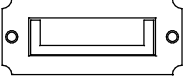
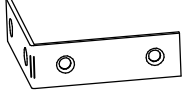
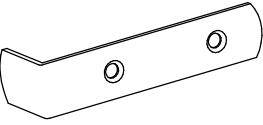


**Small  
hammer**

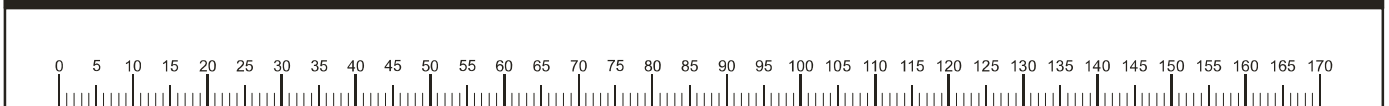


**Eye protection  
(when using a  
hammer or glue)**

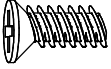
<b>A</b>	 Ø8X30mm	8
<b>B</b>		4
<b>C</b>		4
<b>D</b>	 Ø3,5X30mm	12
<b>E</b>		7
<b>F</b>	 Ø6,0X10mm	8
<b>G</b>		1
<b>H</b>		1
<b>I</b>		1

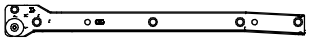
<b>J</b>		1
<b>K</b>	 Ø3,0X12mm	26
<b>L</b>		1
<b>M</b>		4
<b>N</b>		4


Ruler - Use this ruler to help correctly identify the screws

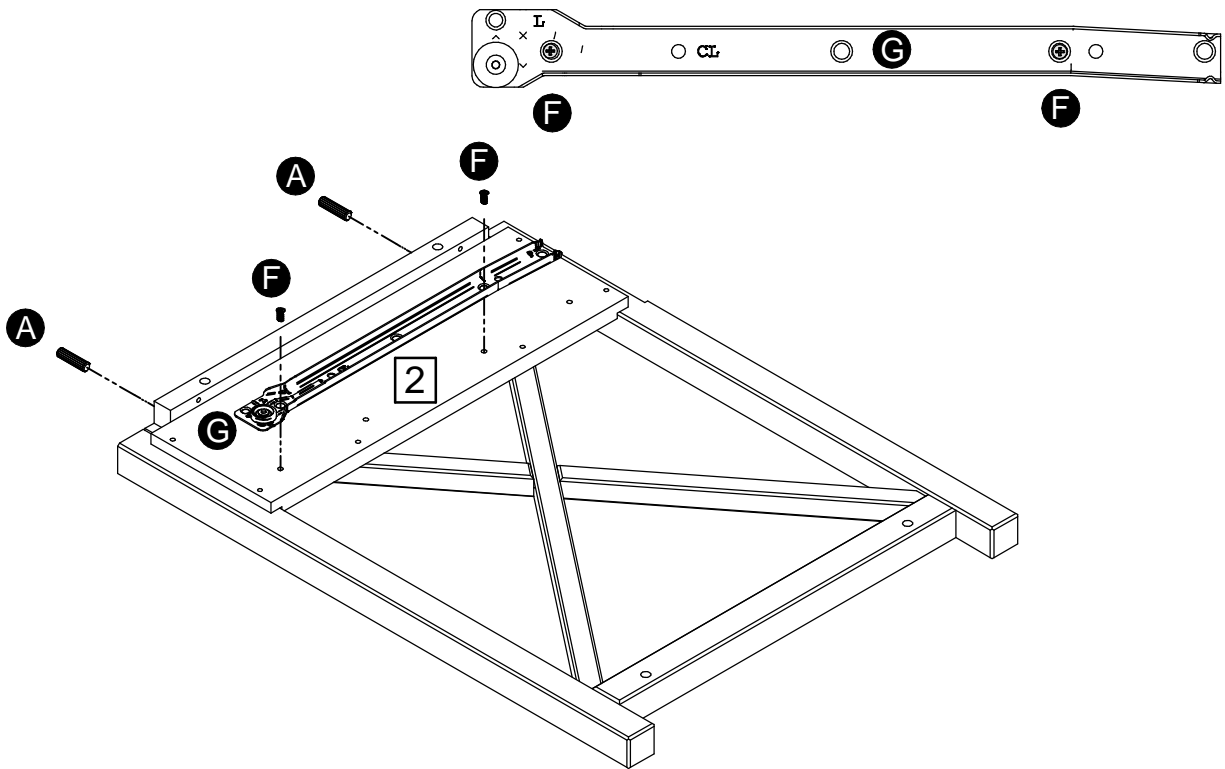


# 1

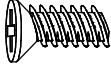
**F**   
6,0x10mm Screw x 2

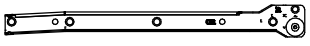
**G**   
Left runner for panel x 01

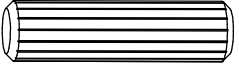
**A**   
8x30mm Wooden Dowel x 2

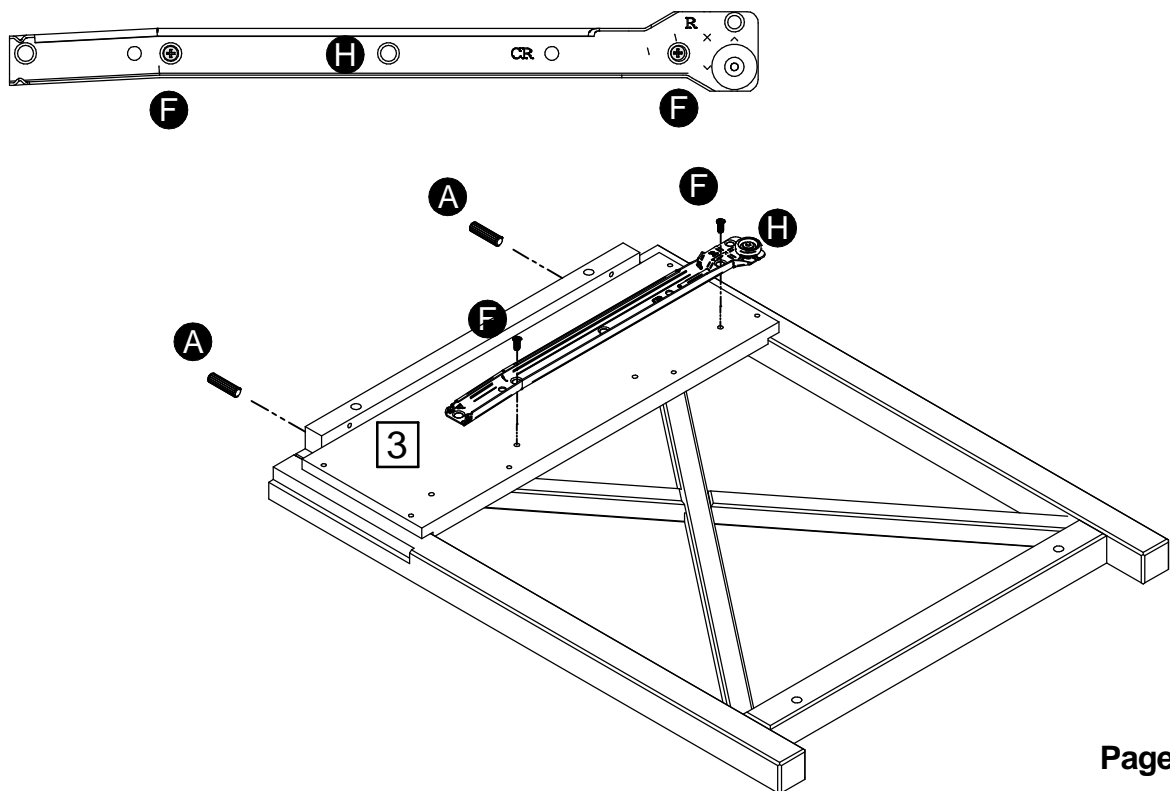


# 2

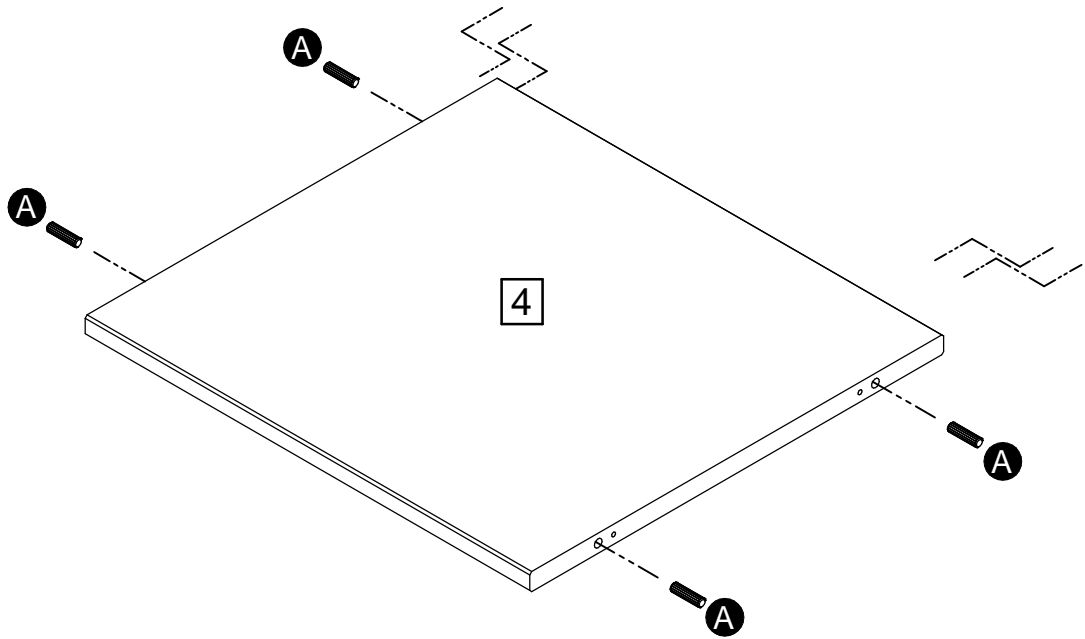
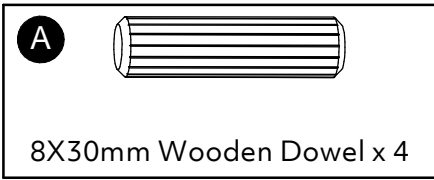
**F**   
6,0x10mm Screw x 2

**H**   
Right runner for panel x 01

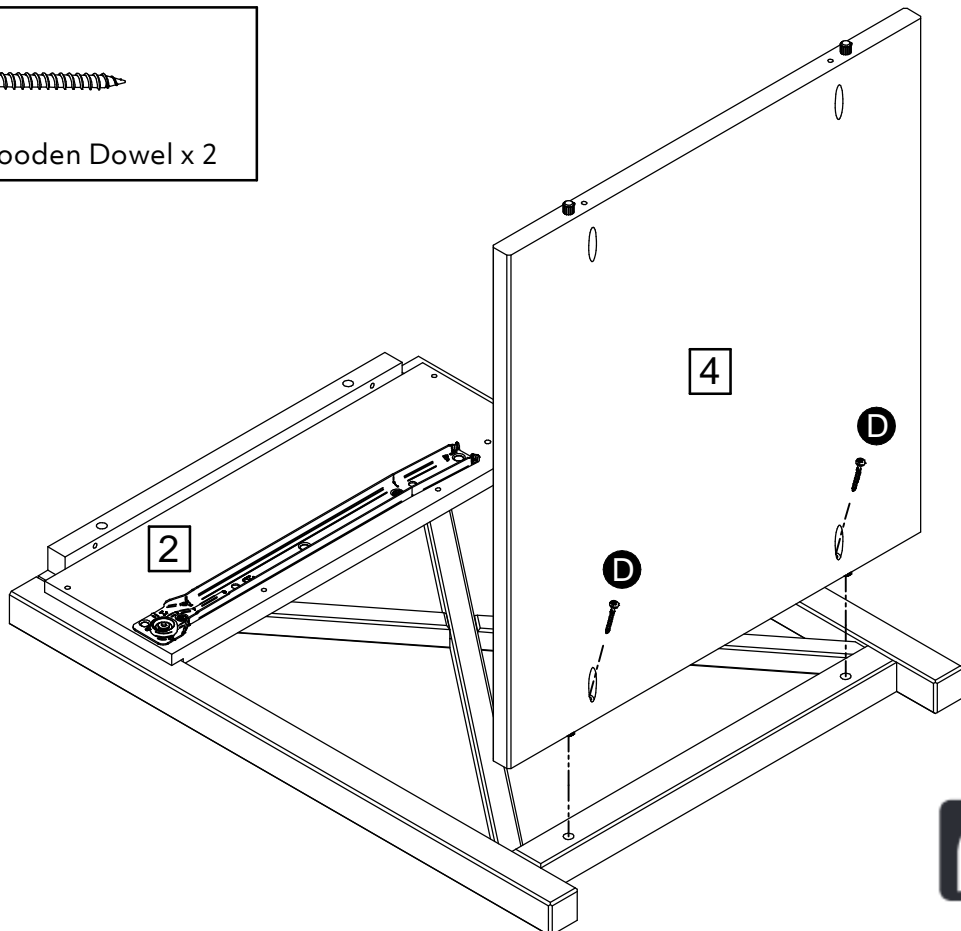
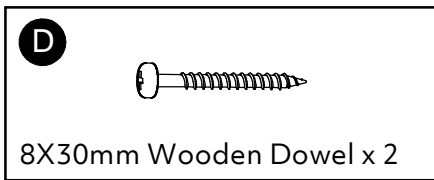
**A**   
8x30mm Wooden Dowel x 2



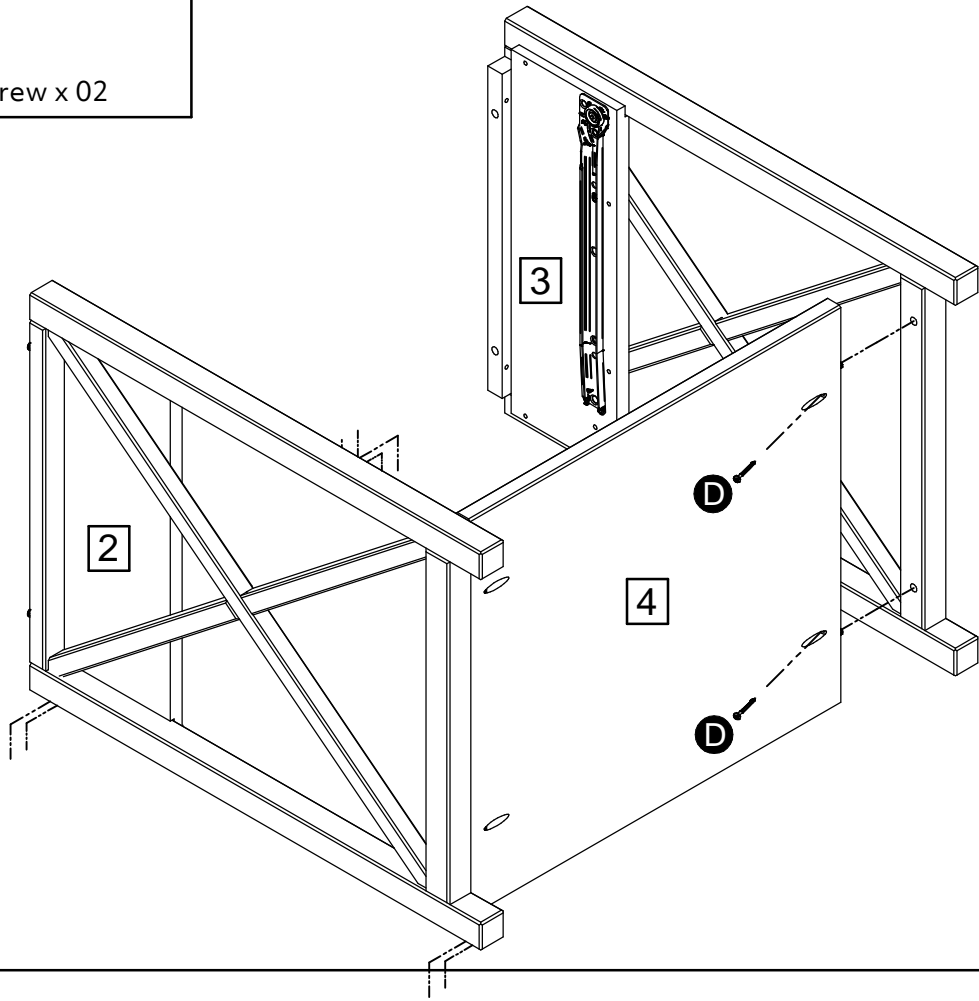
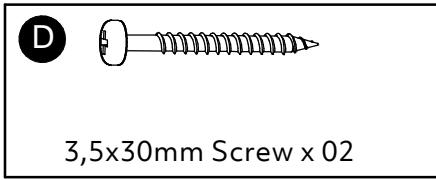
3



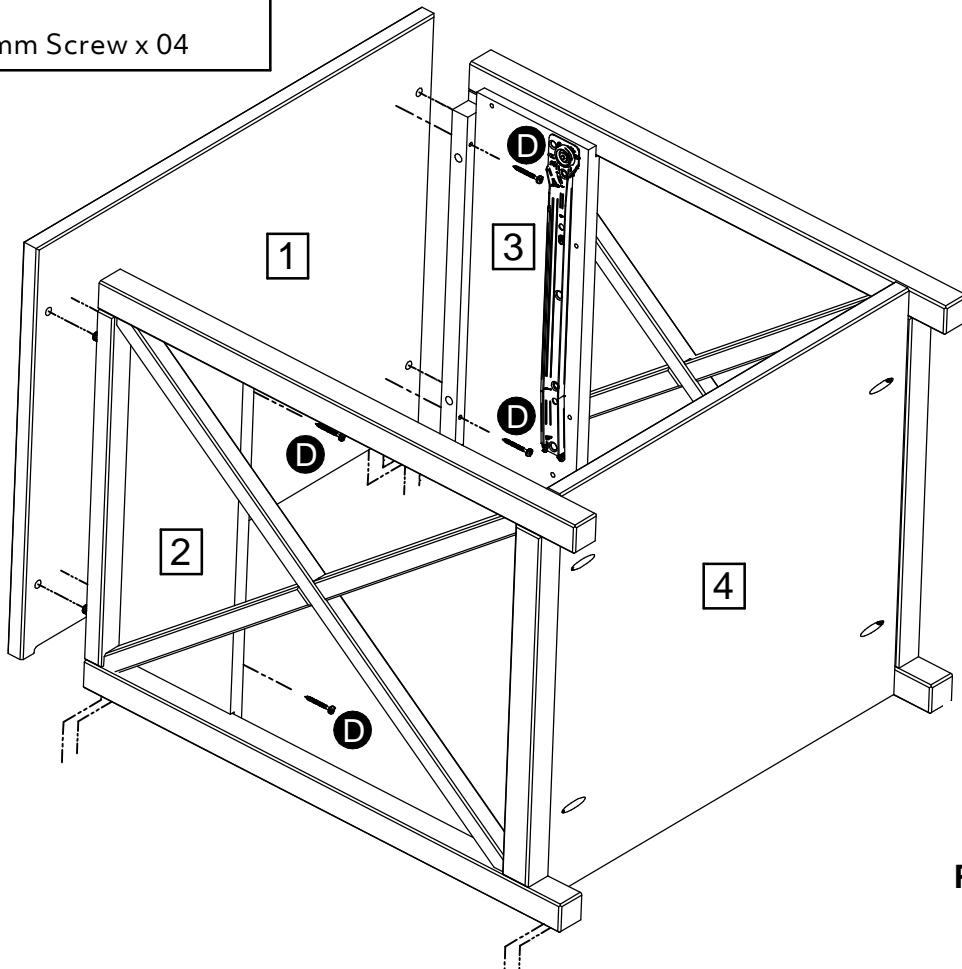
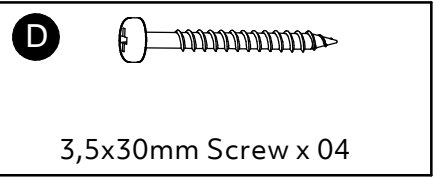
4



# 3



# 4

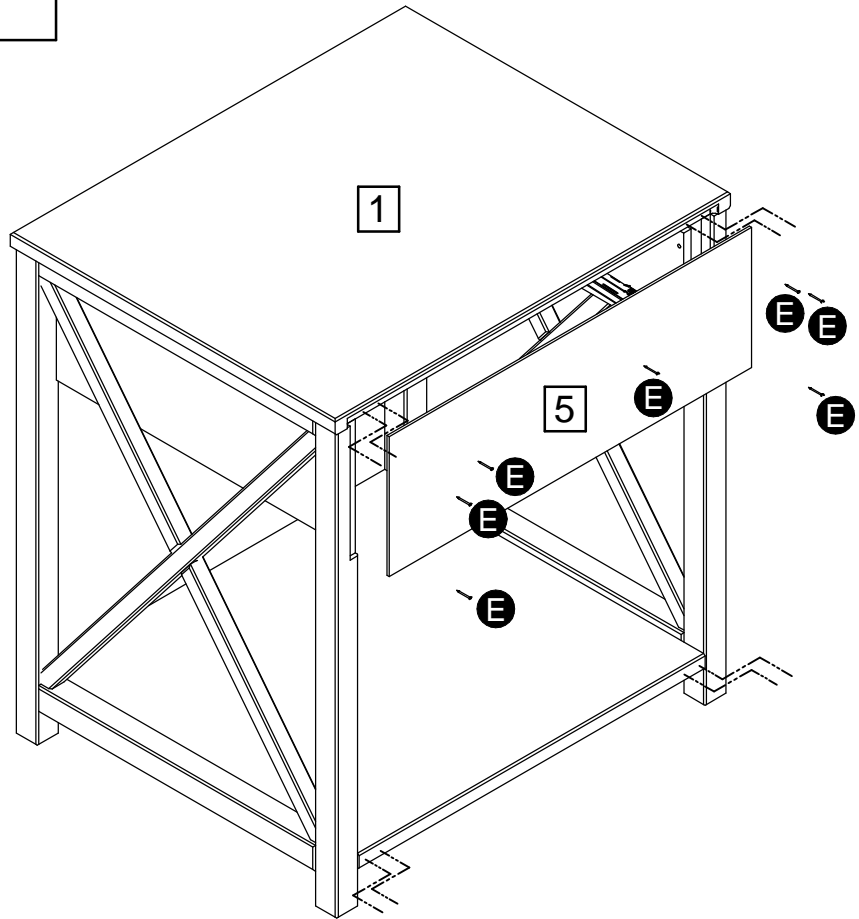


5

E



8x8 Nail x 7

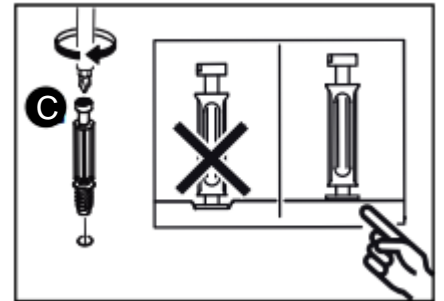
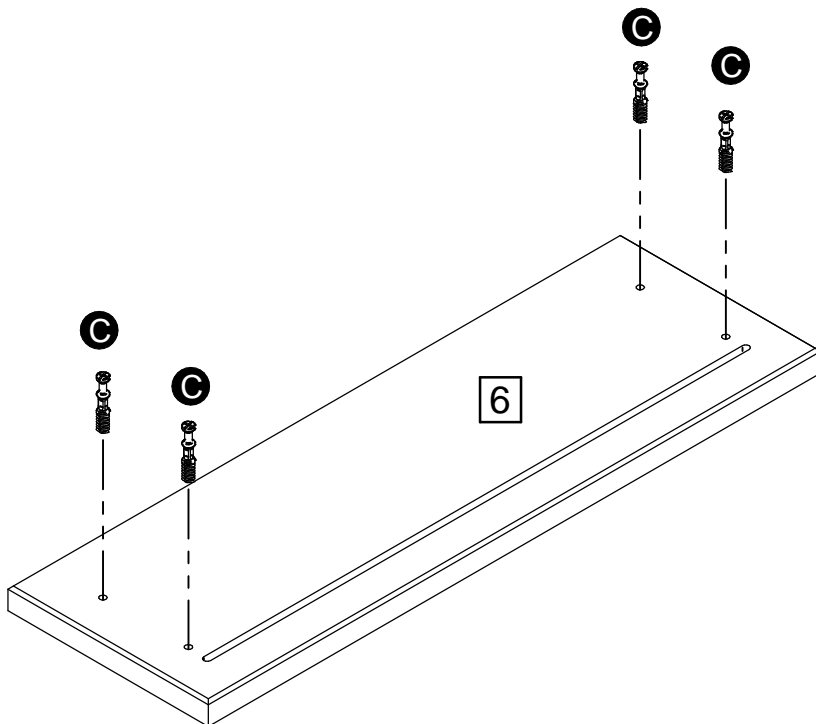


6

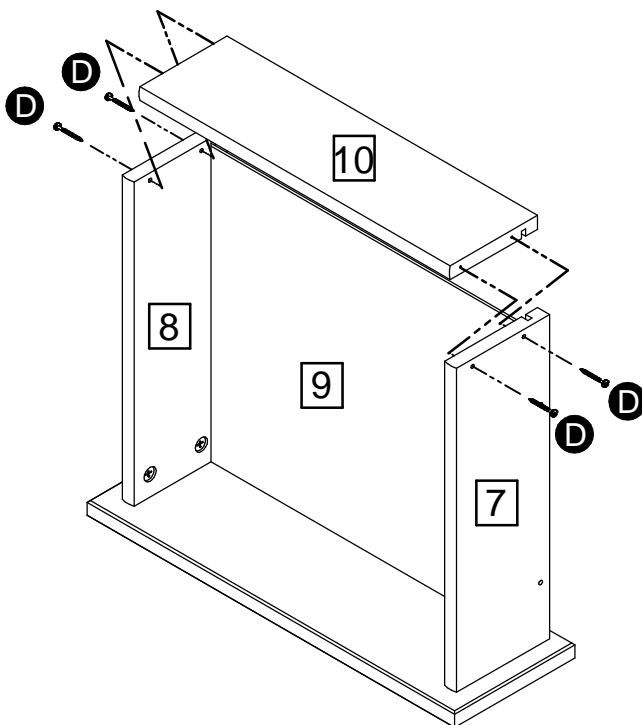
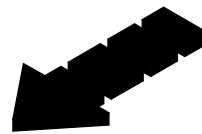
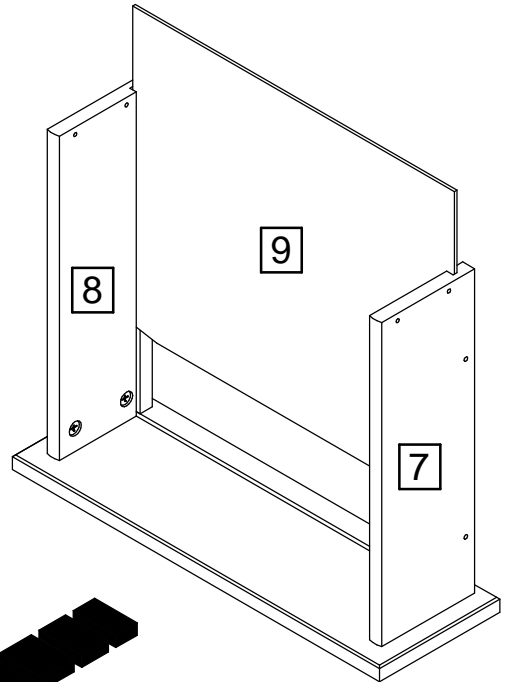
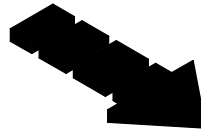
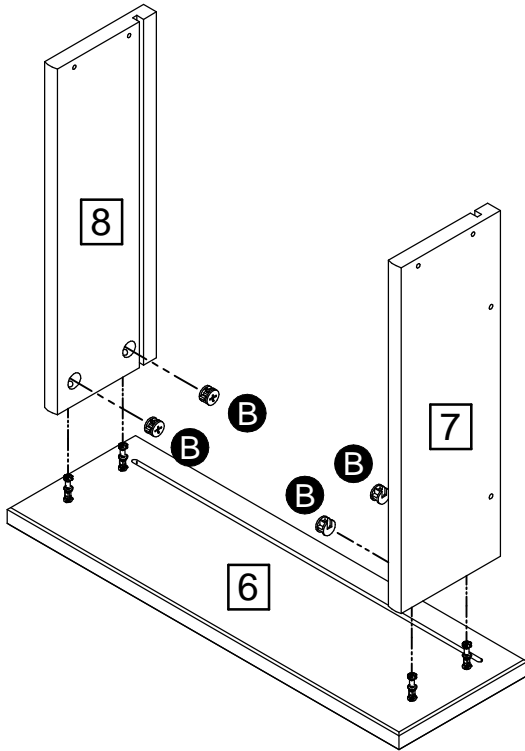
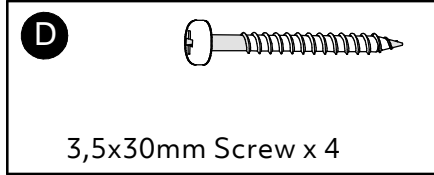
C



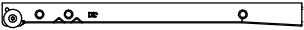
Metal dowel x 4

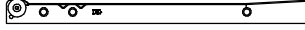


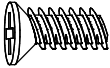
# 7

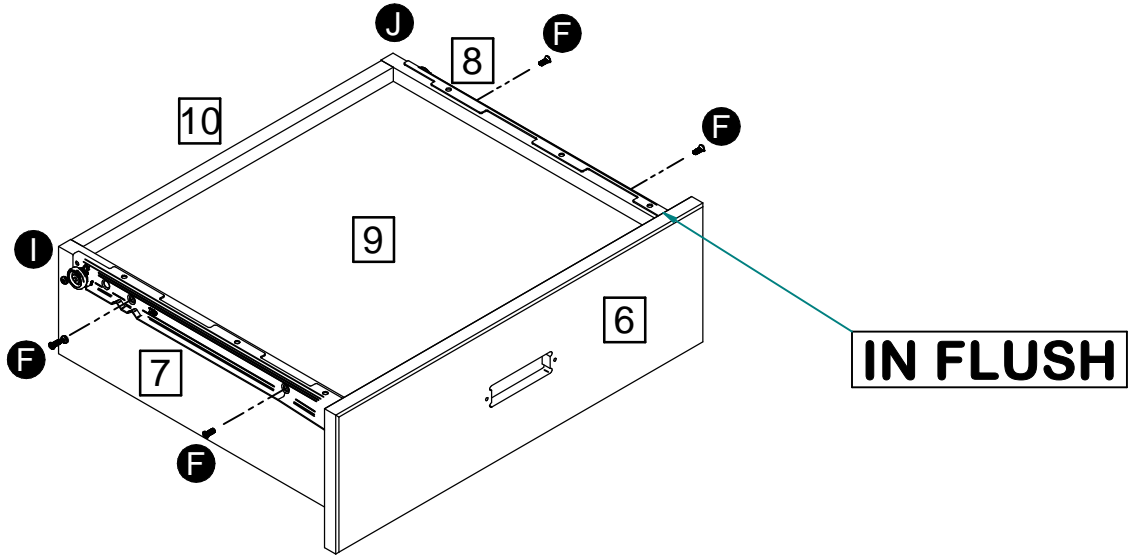


# 8

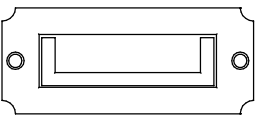
**I**  
  
Right runner of drawer x 1


**J**  
  
Left runner of drawer x 1

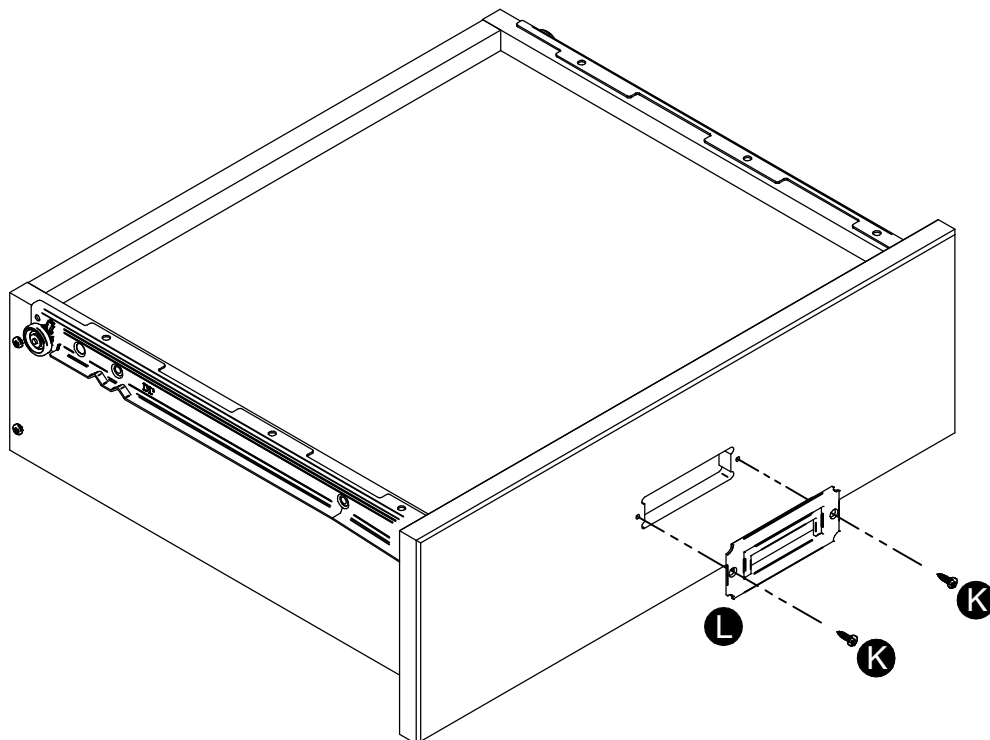
**F**  
  
6,0x10mm Screw x 4



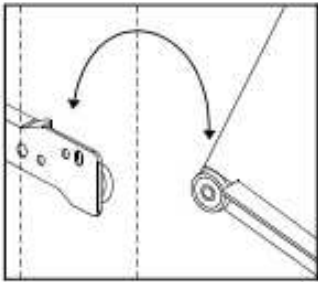
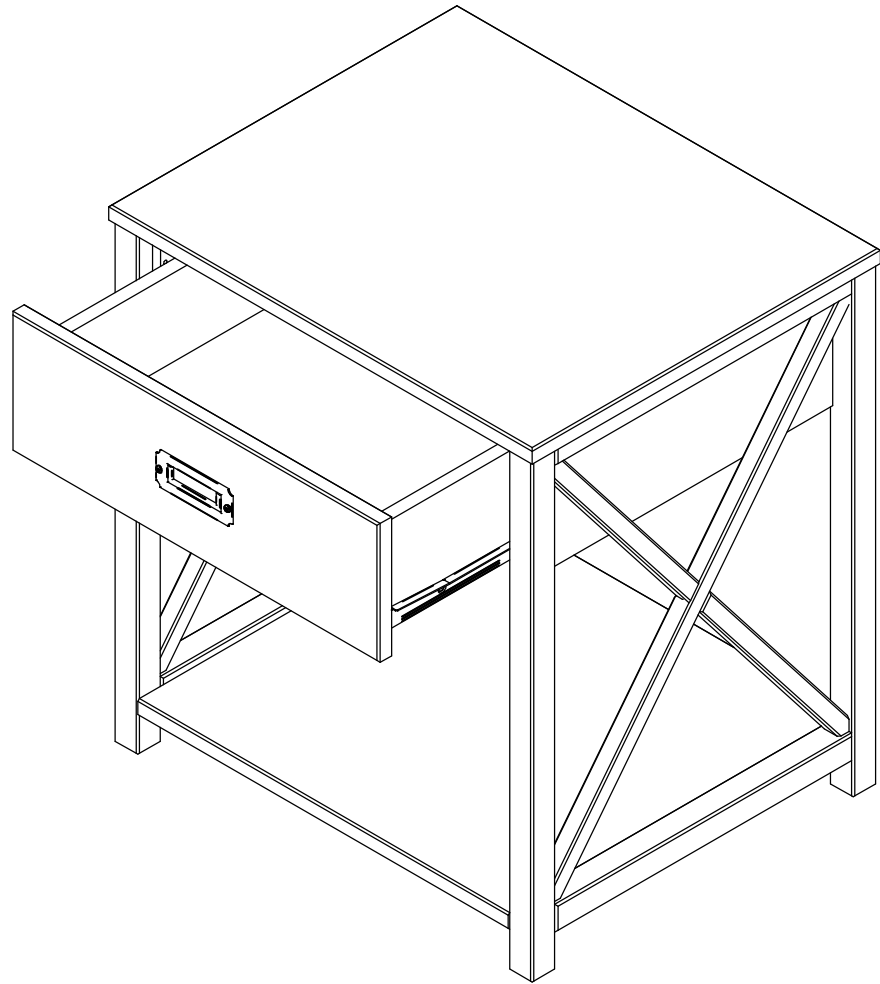
# 9

**L**  
  
Metal handle x 1

**K**  
  
3,0x12mm Screw x 2



# 10



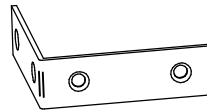
# 11

**K**



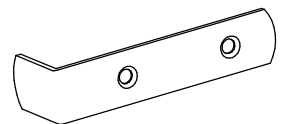
3,5x12mm Screw x 24

**M**



Metal corner x 04

**N**



Metal corner x 04

