

# **VEVOR**

**Affordable. Reliable. Home Improvement.**

## **ROLLING GARDEN SEAT**

**MODEL:TC4502**

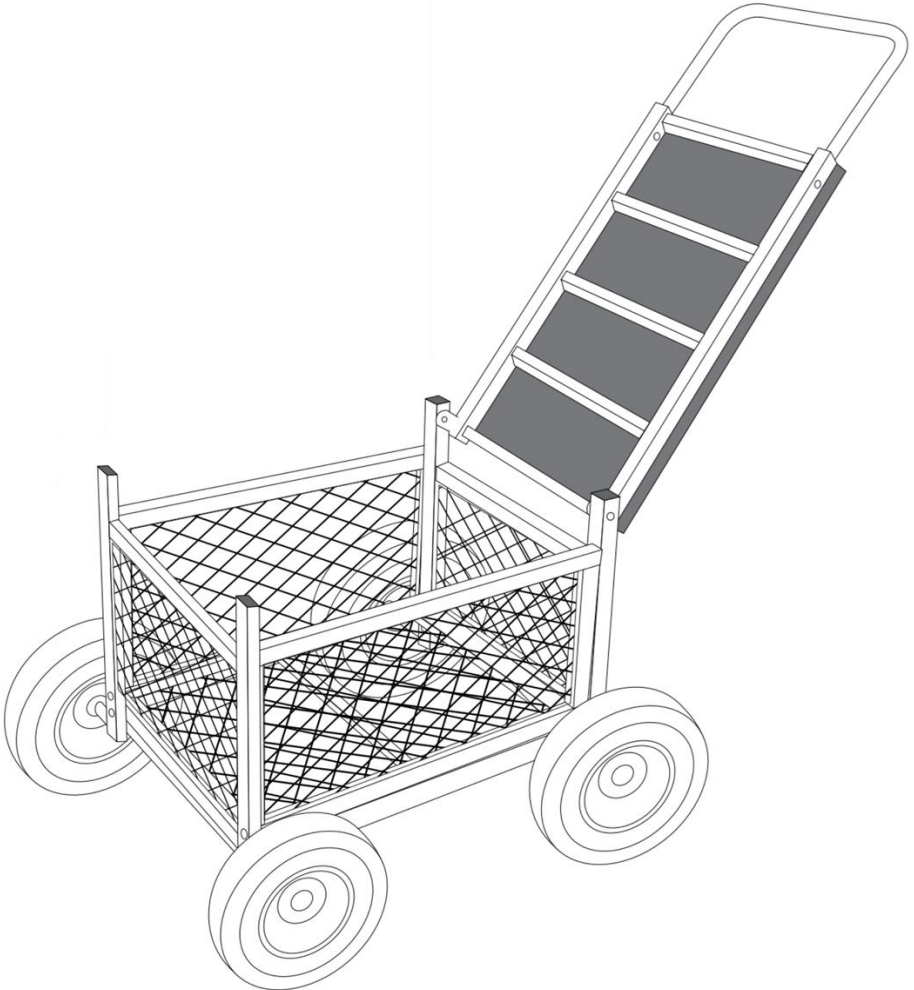


# VEVOR

Affordable. Reliable. Home Improvement.

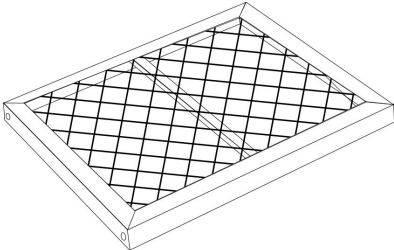
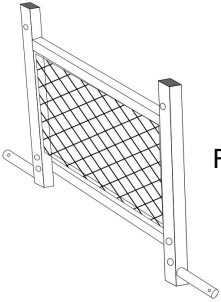
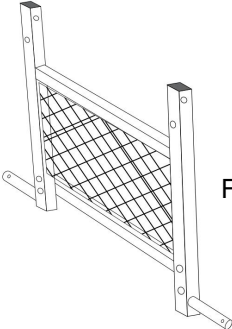
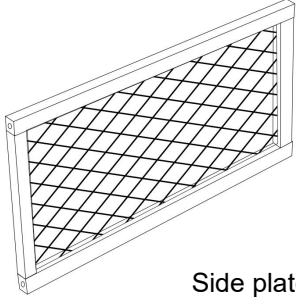
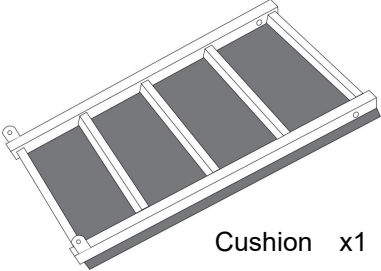
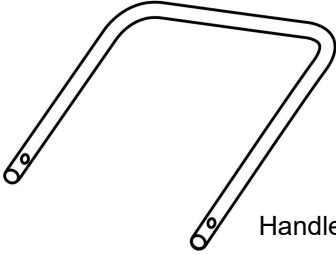

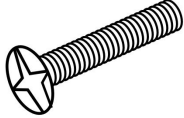
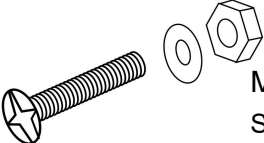
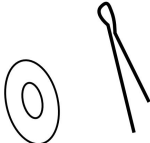
## ROLLING GARDEN SEAT

MODEL:TC4502



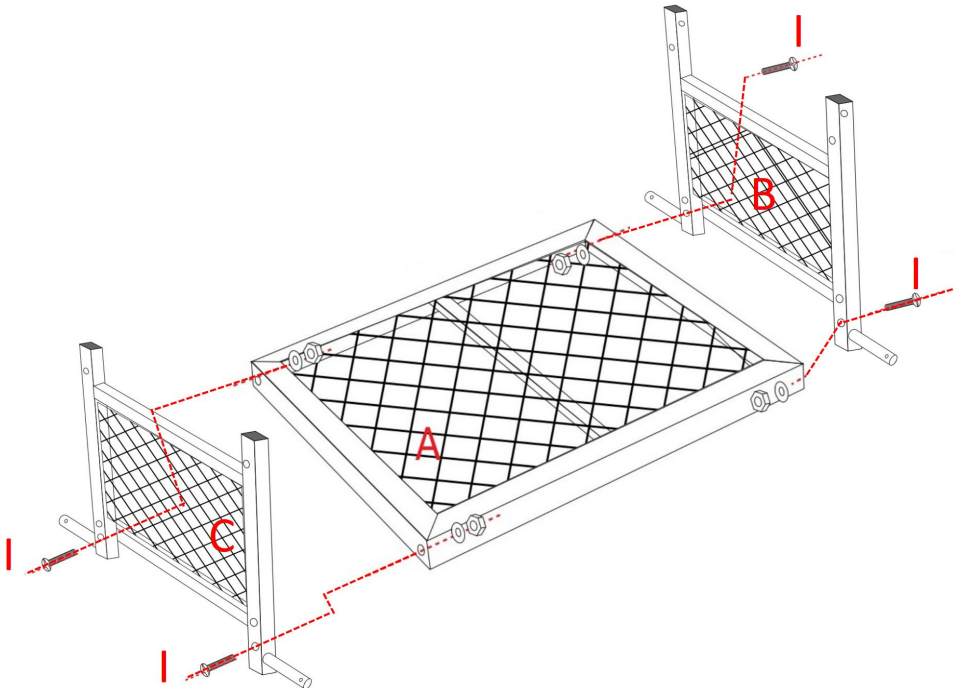
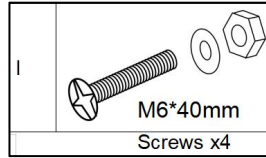
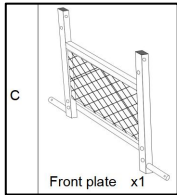
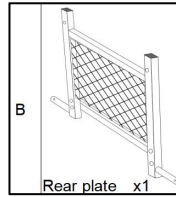
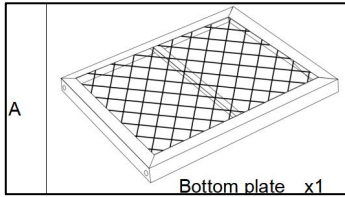
This is the original instruction, please read all manual instructions carefully before operating. VEVOR reserves a clear interpretation of our user manual. The appearance of the product shall be subject to the product you received. Please forgive us that we won't inform you again if there are any technology or software updates on our product.

## PARTS LIST

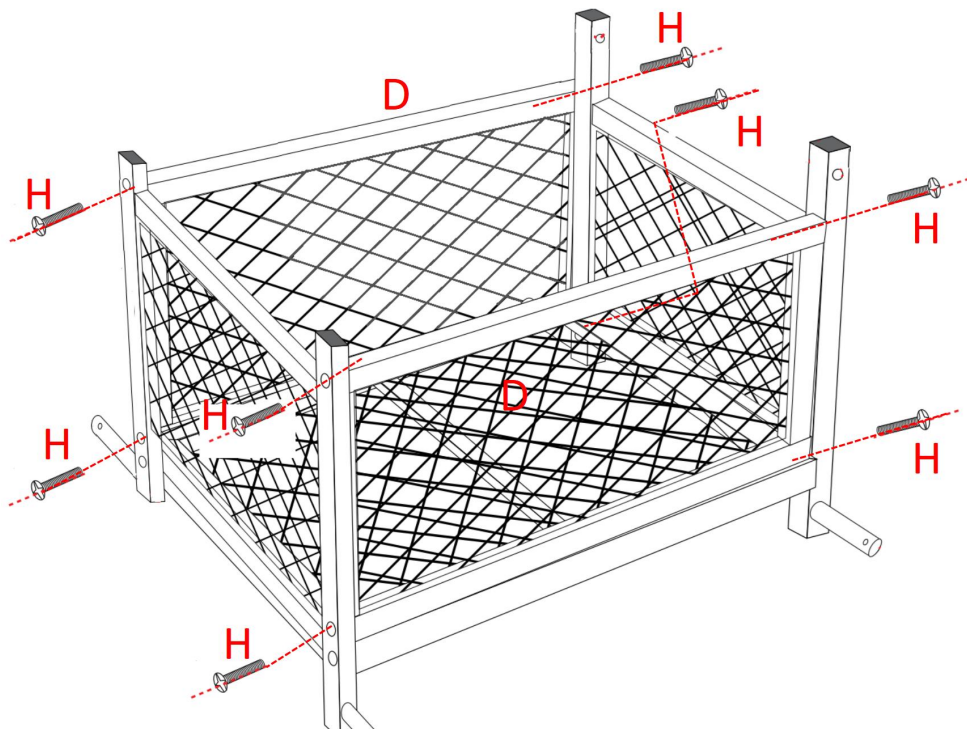
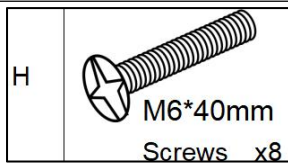
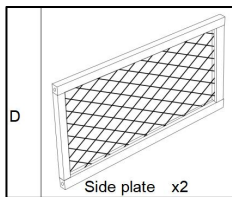
<p>A</p>	 <p style="text-align: center;">Bottom plate x1</p>	<p>B</p>  <p style="text-align: right;">Rear plate x1</p>
<p>C</p>	 <p style="text-align: center;">Front plate x1</p>	<p>D</p>  <p style="text-align: right;">Side plate x2</p>
<p>E</p>	 <p style="text-align: center;">Cushion x1</p>	<p>F</p>  <p style="text-align: right;">Handle x1</p>
<p>G</p>	 <p style="text-align: center;">Wheels x4</p>	<p>H</p>  <p style="text-align: right;">M6*40mm Screws x8</p>
<p>I</p>	 <p style="text-align: center;">M6*40mm Screws x8</p>	<p>J</p>  <p style="text-align: right;">Washers + Bolts x4</p>

# ASSEMBLY STEP

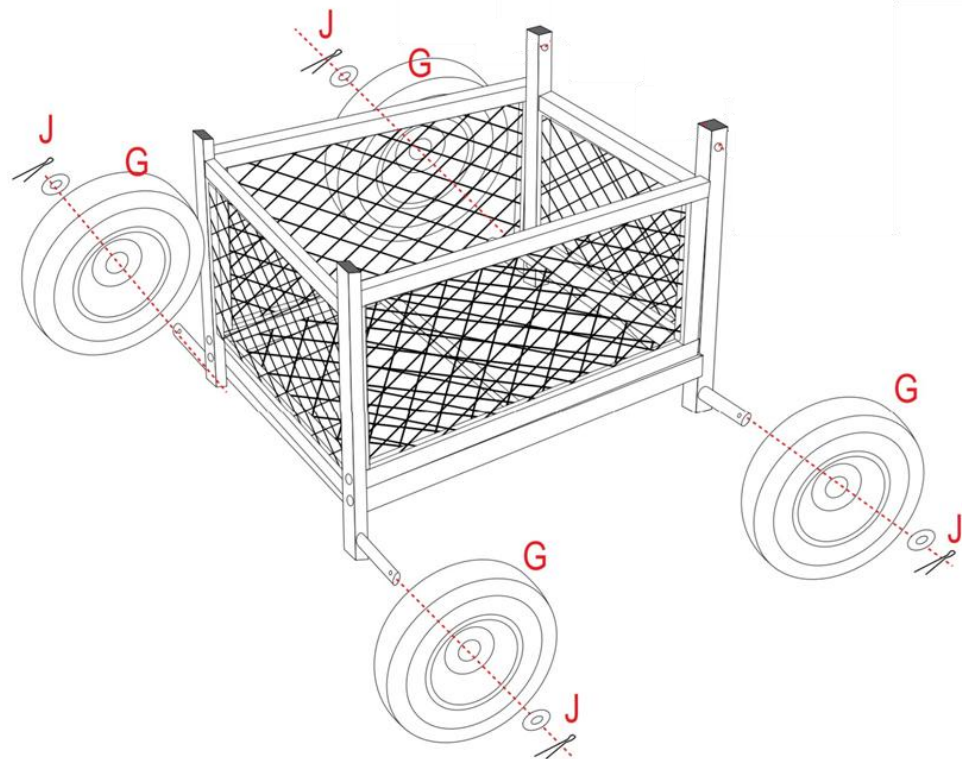
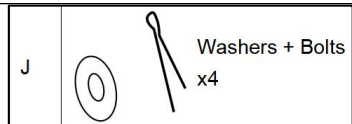
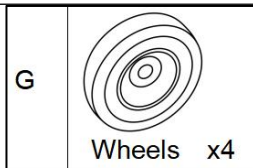
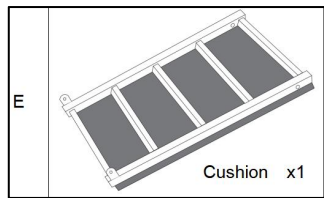
## STEP 1



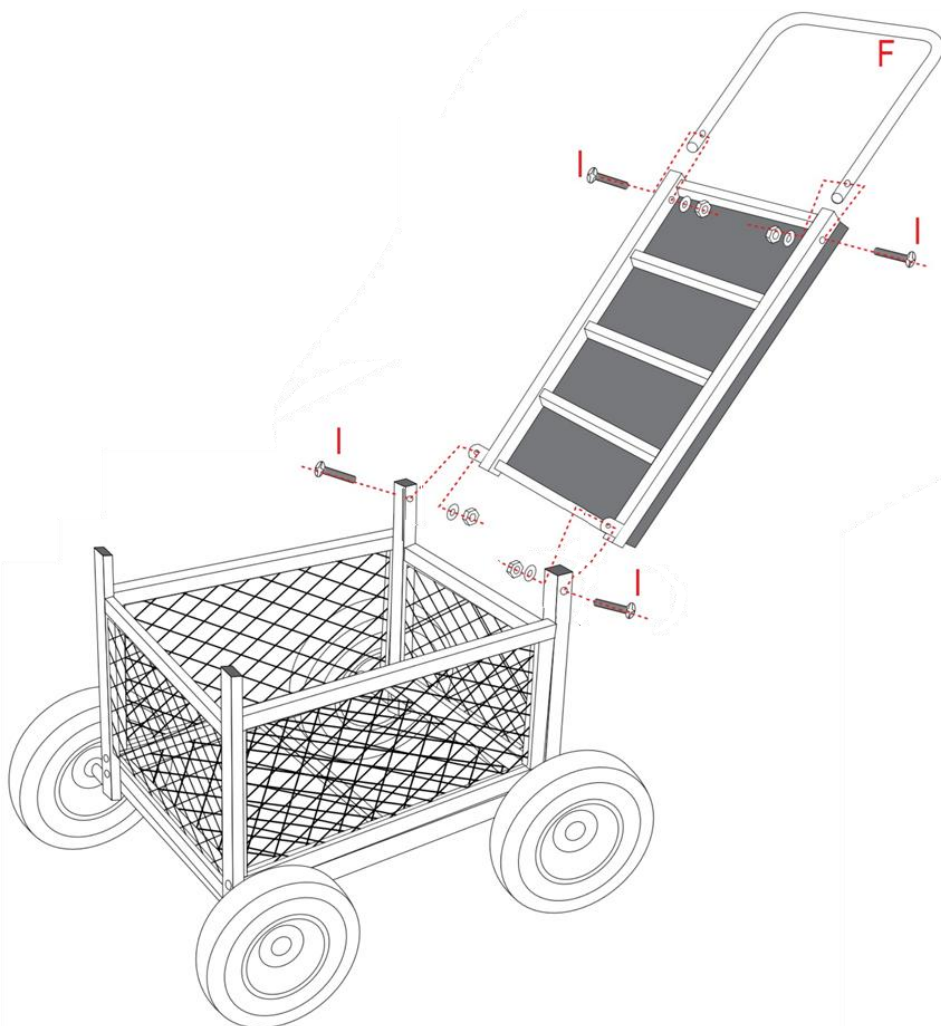
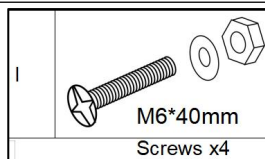
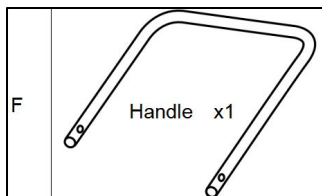
## STEP 2



### STEP 3



## STEP 4



## PRODUCT PARAMETER

<b>Model</b>	TC4502
<b>Safe Loading Weight</b>	400lb/181kg
<b>The diameter of the wheel</b>	8inch

**Manufacturer:** Shanghaimuxinmuyeyouxiangongsi

**Address:** Shuangchenglu 803nong11hao1602A-1609shi, baoshanqu, shanghai 200000 CN.

**Imported to AUS:** SIHAO PTY LTD. 1 ROKEVA STREETEASTWOOD NSW 2122 Australia

**Imported to USA:** Sanven Technology Ltd. Suite 250, 9166 Anaheim Place, Rancho Cucamonga, CA 91730

<b>UK</b>	<b>REP</b>
-----------	------------

YH CONSULTING LIMITED. C/O YH Consulting Limited Office 147, Centurion House, London Road, Staines-upon-Thames, Surrey, TW18 4AX

<b>EC</b>	<b>REP</b>
-----------	------------

E-CrossStu GmbH  
Mainzer Landstr.69,  
60329 Frankfurt am Main.





