

### 3.Assembly - Hanging the Fan (continued)

#### Making the electrical connections

**WARNING :** To avoid possible electrical shock , turn the electricity off at the main fuse box before wiring . If you feel you do not have enough electrical wiring knowledge or experience , contact a licensed electrician.

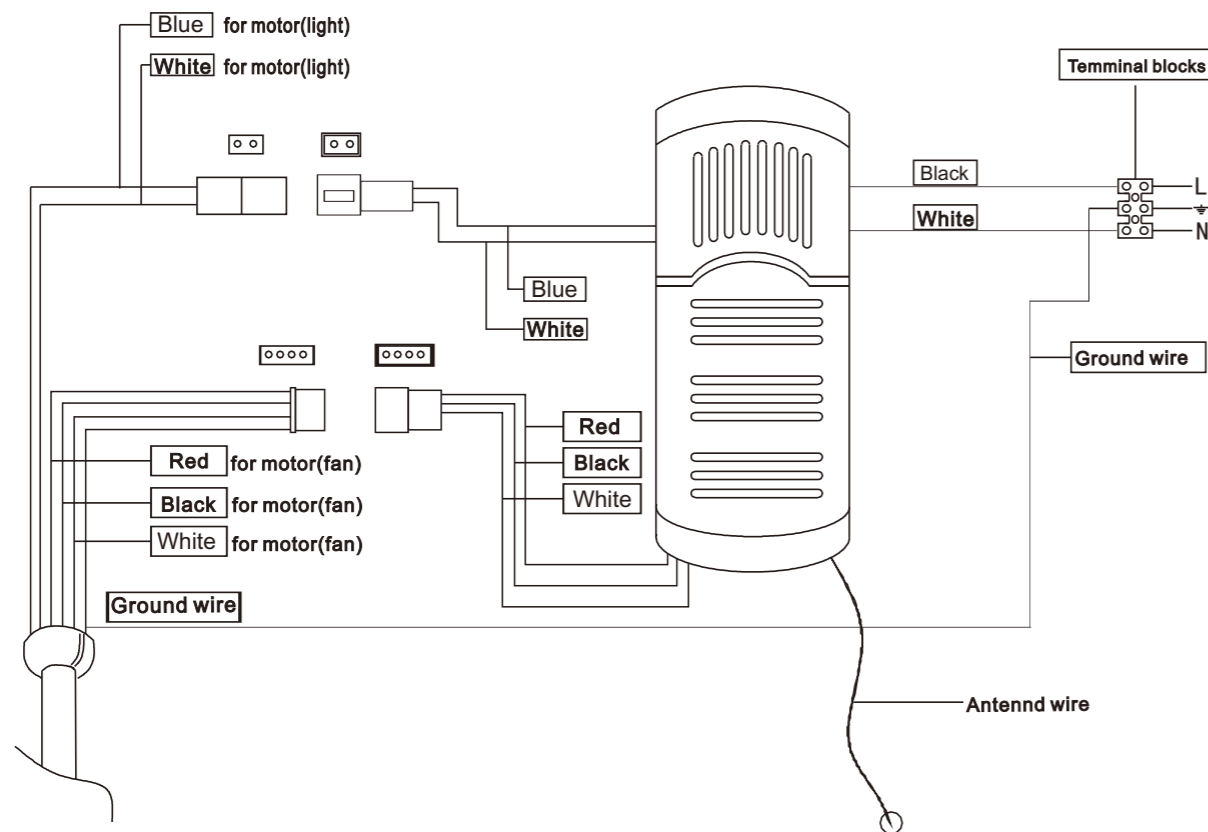
**WARNING :** Check to see that all connections are tight including ground , and that no bare wire is visible at the connect Terminal blocks , except for the ground wire,

**CAUTION :** Do not use with a wall light dimmer switch.

**NOTE :** The fan must be installed at a maximum distance of 20 ft from the remote control for proper signal transmission between the remote control and the fan's receiving unit.

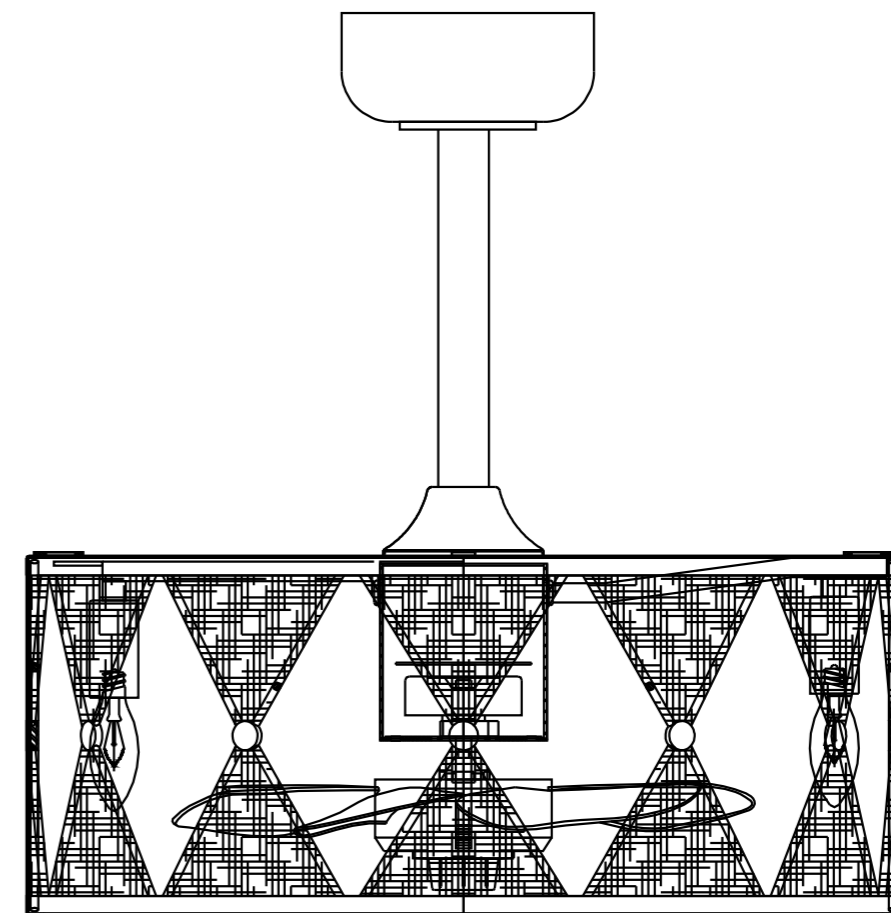
#### Motor to receiver electrical connections

- 1 . Connect the fan wire with receiver wire by connect terminal.
- 2 . Connect the lamp line with receiver wire by connect terminal Receiver to house supply wires electrical connections.
- 3 . Connect the receiver white wire marked " AC in N " to the household white wire ( neutral ) using a wire terminal block.
- 4 . Connect the receiver Blue wire marked " AC in L " to the household Black wire ( hot ) using a wire terminal block.
- 5 . Connect the fan wire an the ground wire on the hanger through the terminal block.
- 6 . Use the terminal block to connect the ground wire on the mounting bracket and the receiver to the household ground wire.



## USE INSTALLATION INSTRUCTIONS

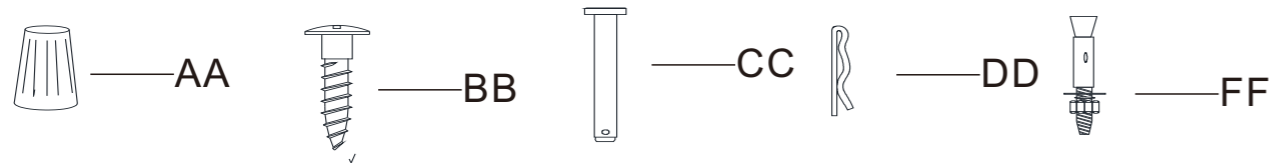
### 17.7-INCH CEILING FAN



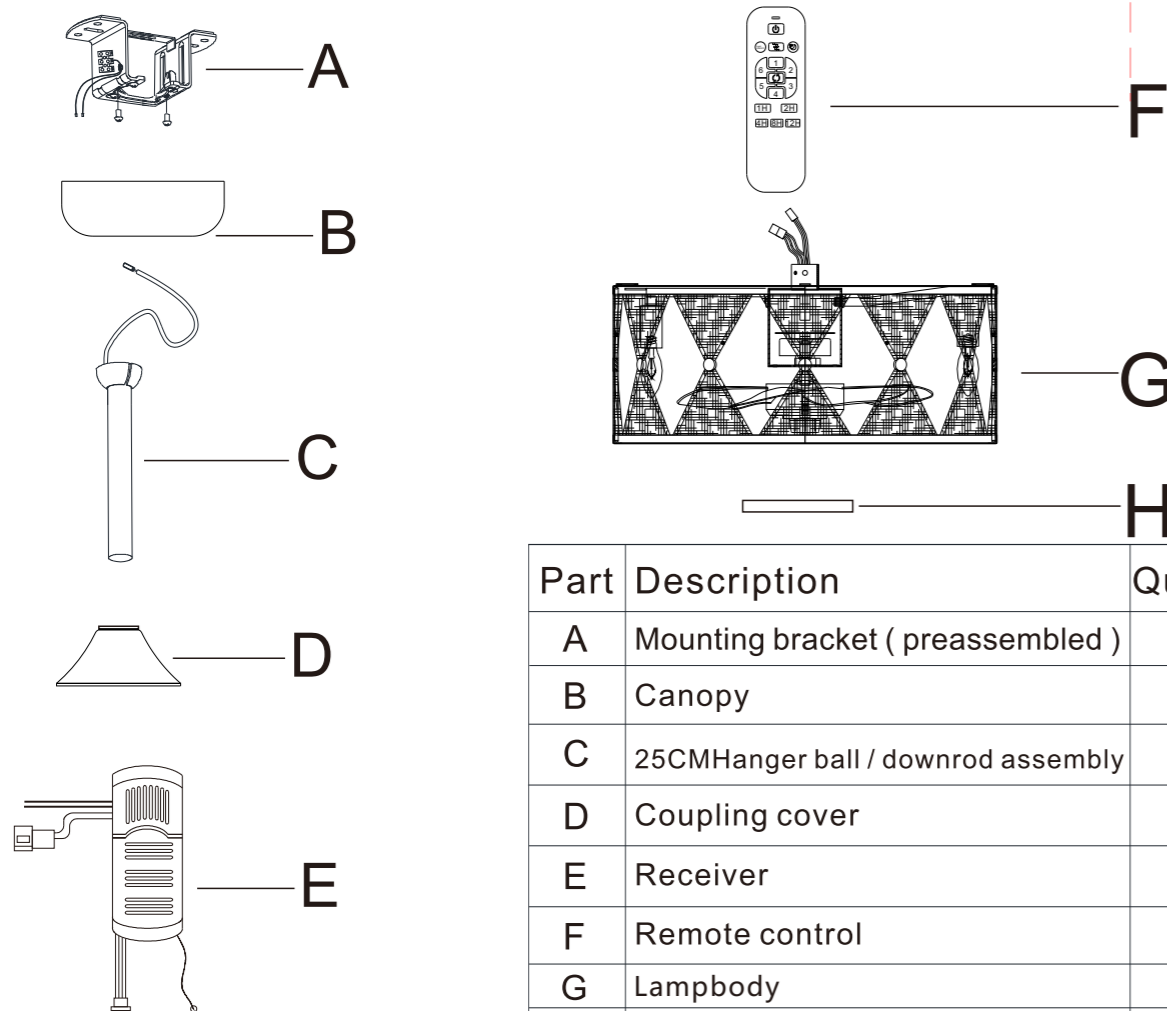
# 1. Pre-Installation(continued)

## HARDWARE INCLUDED

NOTE: Hardware not shown to actual size.



Part	Description	Quantity
AA	Wiring cap	3
BB	Hanger bracket mounting screws ( not to scale )	4
CC	Clevis pin (preassembled)	1
DD	Cotter pin (preassembled)	1
EE	Expansion bolt(not to scale)	2

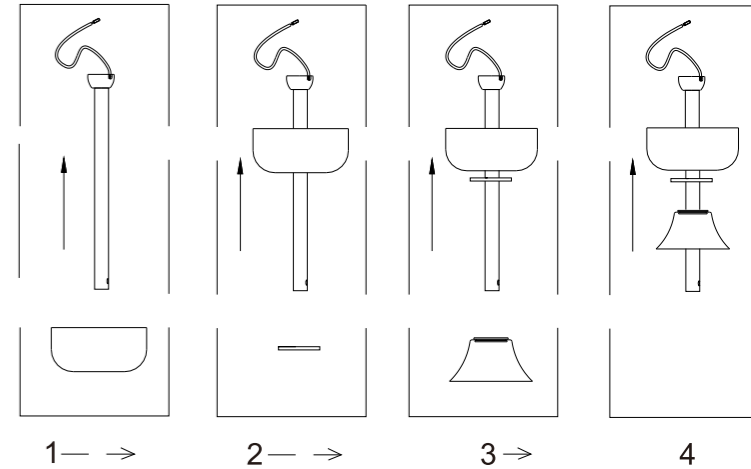


Part	Description	Quantity
A	Mounting bracket ( preassembled )	1
B	Canopy	1
C	25CM Hanger ball / downrod assembly	1
D	Coupling cover	1
E	Receiver	1
F	Remote control	1
G	Lampbody	1
H	Canopy ring (preassembled)	1

# 2. Assembly-hanging the Fan

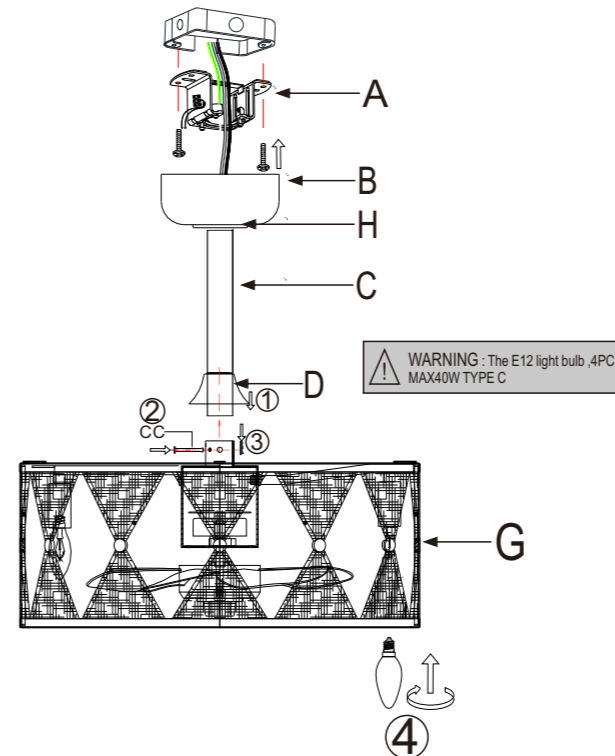
**WARNING :** To reduce the risk of fire electric shock or other personal injury , mount the fan only to an outlet box or supporting system marked acceptable for fan support and use the mounting screws provided with the outlet box.

Install the suspension system components:



## 1. Description of mounting bracket

1. Loosen the two outlet box screws in the outlet box.
2. Pass the 120-volt supply wires through the center hole in the mounting bracket ( A ).
3. Fix the mounting bracket ( A ) to the outlet box ( LL ) Note that the plane of mounting bracket ( A ) is oriented towards the outlet box ( LL ).
4. Tighten the two mounting screws.



## MOUNTING OPTIONS

For wooden ceiling , use wood screw to drill on the wooden beam or the junction box " to fix the hanging bracket ( selection is made according to actual requirements of the customers.

### STEP 1A-WOODEN CEILING

1. Use the Mounting Bracket ( A ) as a guide , mark the spots where the 4 Self Tapping Screws ( BB ) will be drilled.
2. Remove the Mounting Bracket ( A ) drill 4 holes for 3 MM diameter , install the mounting bracket onto wooden ceiling with the 4 Self Tapping Screws ( BB ) & Washers.

**IMPORTANT : SCREWS MUST BE TIGHTENED TILL SNUG**

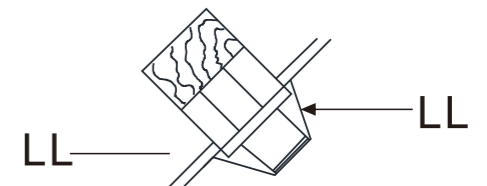
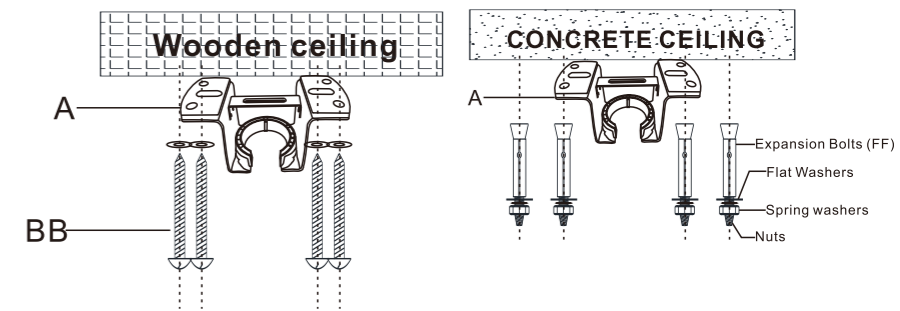
For concrete ceiling , use the percussion bit with diameter 6 mm to drill holes according to the length of expansion screws . Then use the attached expansion screws to fix the hanging bracket onto the ceiling ( selection is made according to actual requirements of the customers.

### STEP 2A-CONCRETE CEILING

1. Use the Mounting Bracket ( A ) as a guide , mark the spots where the 2 Expansion Bolts ( FF ) will be drilled.
2. Remove the Mounting Bracket ( A ) , drill 2 holes and insert 2 Expansion Bolts ( FF ) into the concrete ceiling , install the mounting bracket and secure with Flat Washers , Spring Washers and Nuts.

**IMPORTANT : SCREWS MUST BE TIGHTENED TILL SNUG**

Note : according to different ceiling materials , the bracket is fixed with different screws . The ceiling of the fixed bracket shall not be less than 12 mm to prevent danger caused by screw loosening . After the suspension support is completed , it shall be able to safely withstand the tensile test of more than 55 kg.



Note: When installed on a steep, sloping ceiling. The maximum Angle allowed is 45° below the horizontal.