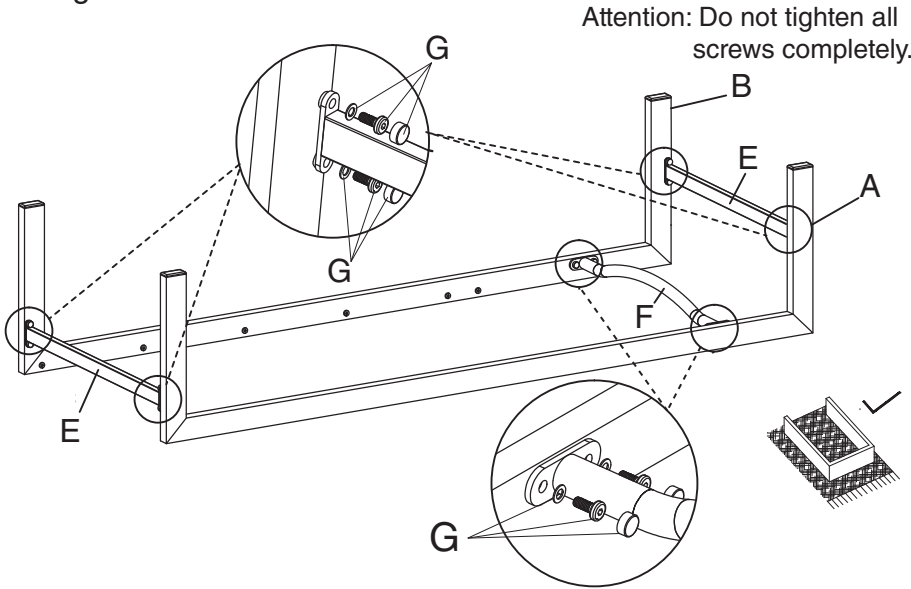


OUTDOOR PATIO ALUMINUM LOUNGE CHAIR

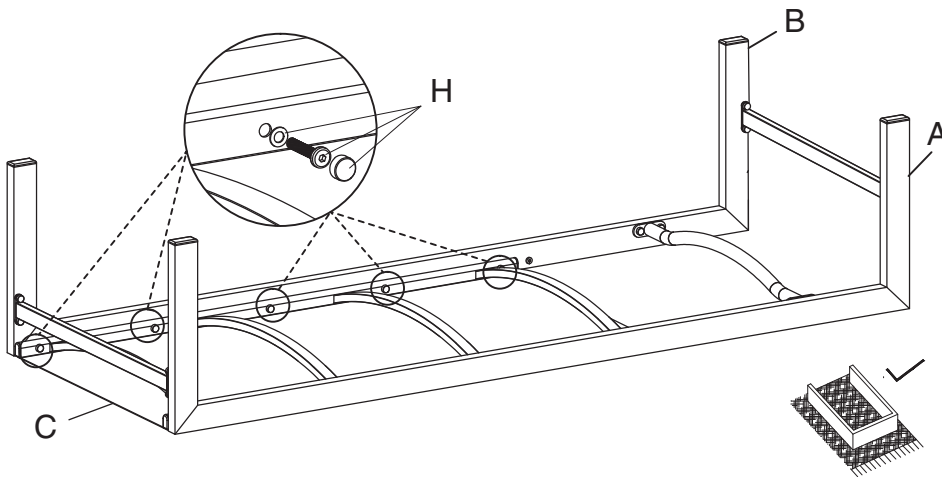
ASSEMBLY MANUAL

Attention:
Distinguish between the left and right legs based on your lying position on the lounge.

1. Connect Legs (Part A and B) to Support Bars (Part E and F) using Screw G.

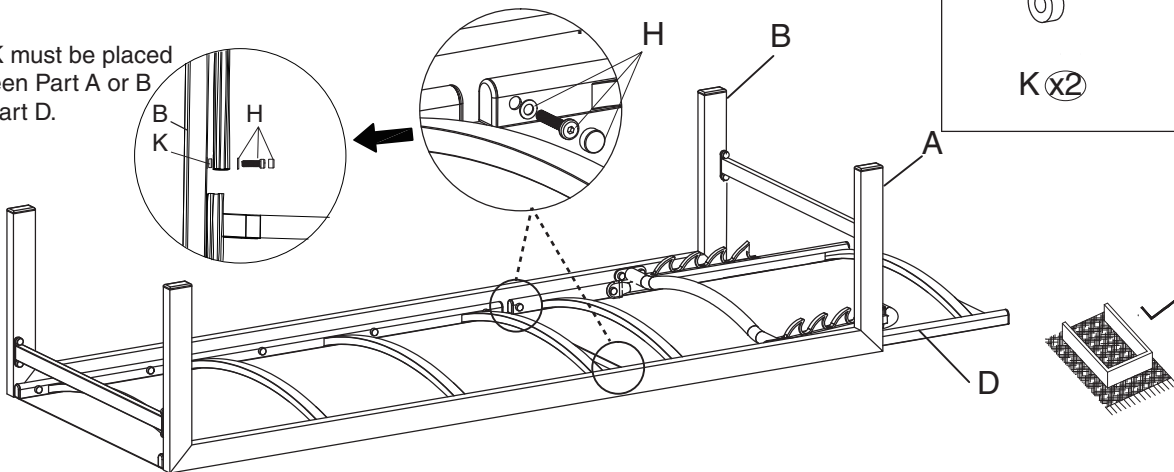


2. Connect Seat (Part C) with Legs (Part A, B) using Screw H.



3. Connect Back (Part D) with Legs (Part A, B) using Screw H and Washer K.

Tip:
Part K must be placed between Part A or B and Part D.



	Right leg	A x1
	Left leg	B x1
	Seat	C x1
	Back	D x1
	Support Bar	E x2
	Support Bar	F x1
	G x12	
	H x12	
	K x2	
	L x1	

4. Finally, check that all screws are properly tightened before use. You can easily adjust the back height as needed.

